

Data subject to change without prior notice
Edition 03/2020 © 2020 JMG Cranes S.p.A. All rights reserved
Rev.1 - 03/20

JMG Cranes S.p.A.

Sales & Service Office

Via Bergamo, 142

26100 Cremona - Italy

t +39 0372 1786738

Production Plant

Via Sito Nuovo 14

29010 Sarmato (PC) - Italy

t +39 0523 8486

e info@jmgcranes.com



Electric Pick & Carry Cranes



**MC25S
(inch)**
Max Capacity 5,500 lbs

www.jmgcranes.com



MC 25S

SEQUENTIAL TELESCOPING BOOM

FRONT-WHEELS DRIVE WITH COUNTER ROTATION

TILTING HEAD 4 POSITIONS (-70°/-35°/0°/+10°)

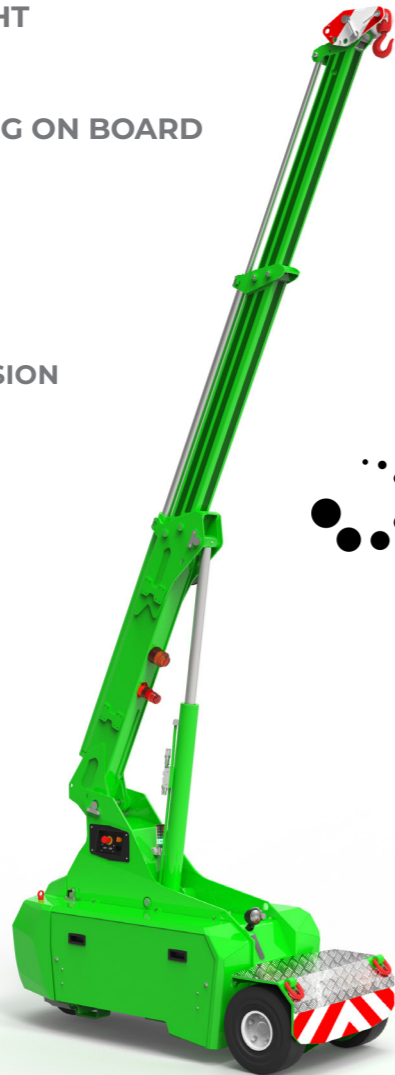
REMOVABLE COUNTERWEIGHT

USB PLUG

BLOCKS AND HOOKS LODGING ON BOARD

Optionals:

- HYDRAULIC WINCH
- BENDABLE MANUAL EXTENSION
- NON-MARKING TIRES
- MAN BUCKET
- ATEX CONVERSIONS
- CUSTOMIZED PAINTING
- TOOL BOX

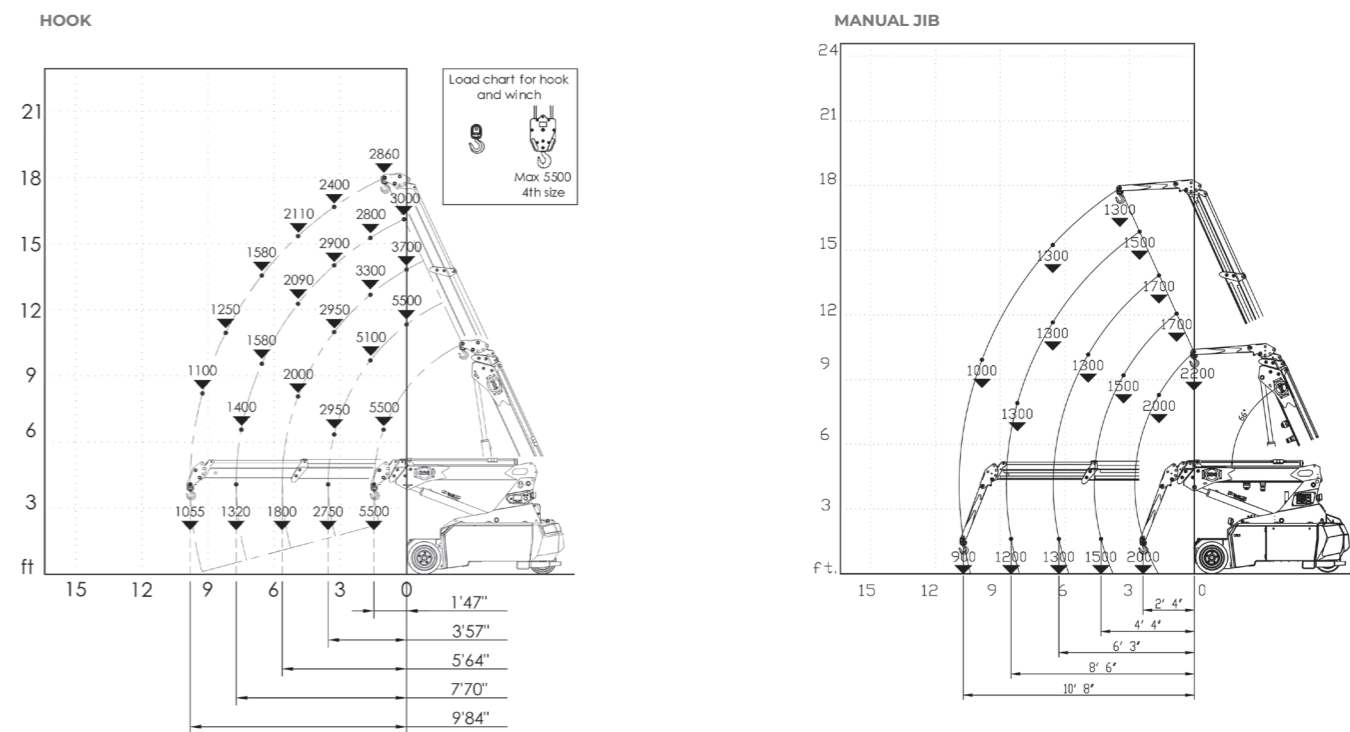


Technical features

Max Capacity lbs	5,500	Front-wheels drive. 2 electric motors AC 2 kW 24V Insulation class H	LMI. Electronic safe load indicator and tilting moment limiter
	Dimensions inch	7'2"x2'11"x5'33"	Automatic braking system on all wheels
Max Capacity lbs		Total lbs 5,300 Removable counterweight lbs 1,650	Fabricated from preformed and welded quality steel plate
	Dimensions inch	24 V - 420 Ah 8 working hours	+65°/-15°
Max Capacity lbs		Front nr. 2 superelastic 18x7-8" Rear nr. 2 superelastic 15x4 1/2-8"	Motor driven pump 3 kW - 24 V AC, Insulation class H
	Dimensions inch	Rear Steering angle -90°/+90°	



Load charts



EU Standards CE

	UNI ISO 4030-1: A1
	2006/42/CE- 2000/14/CE -2014/30 UE 2014/35/UE - D.Lgs 262/2002 subsequent modifications
	EN 13000:2014 subsequent modifications



Dimensions

