



SQ3200ZB6



70Ton Capacity
Knuckle Boom Crane
Flexible operation
Strong Stability Safe

SQ3200ZB6 crane specifications

MAXIMUM LIFTING CAPACITY

68000 kg at 4.94 meter

Boom

6-section full power synchronized telescoping boom of round box construction

The synchronization system consists of telescopic cylinder, extension and retraction cables.

Retracted length	4.94 meter
Extended length	15.44 meter
Extend speed	9 meter/70s
Elevation	By a hydraulic cylinder with holding valves
Elevation speed	0~68°in 55sec
Boom point	

WINCH

Hydraulic axial piston motor through winch speed reduce

Equipped with automatic brake(neutral brake),counterbalance valves,cable follower and drum rotation indicator

Single line pull	5000 kg at maximum permissible line pull(1st layer)
Single line speed	30m/min
Drum capacity	80 m 4 layers
Wire rope strength	80 m 4 layers
*Maximum permissible line pull may be affected by wire rope strength	
Hook block	Swivel hook with safety latch for single line use 80000 kg capacity(Standard)

SWING

Hydraulic axial piston motor driven through planetary Speed reducer

Equipped with manually lock/released swing brake

Continuous 360 degree full circle swing ball ball bearing turntable

Swing speed 3.0 rpm

Twin swing system:free swing or lock swing by selector switch in crane

OUTTRIGGERS

Four hydraulic,two-section beam and jack outriggers.Vertical jack cylinders equipped with internal holding vales

Each outrigger beam and jack is controlled independently from either side of truck

Extend width (center to center)	8.0 m
Float size	530 mm

HYDRAULIC

Control valves Multiple valves actuated by pilot pressure with integral pressure relief valves
Hydraulic pump One variable piston pump for crane functions.
Reservoir 480 lit capacity
Filtration 10 micron return filter,full flow with bypass protection,located inside of hydraulic reservoir.
Oil cooler Air cooled fan type.

ELECTRICAL SYSTEM

Power supply DC 24V

CRANE CAB

1 man type,steel construction
Self centering finger control levers with pilot
Adjustable control lever stands for swing,boom elevation,boom telescoping
Loading chart show on the cab table
Moment limiter are requirment on the right size of the cab table

CONTROLS AND SAFETY DEVICE

Moment limiter are requirment and saft date(Max Load capacity,such boom length ,load weigth,and so on)
limit had be Set up by factory
Monitors outrigger extended lenght and automatically programs
Actual working pressure table
Warning light be requirment



OPTIONS AND ACCESSORIES

70 Ton 2 sheaves hook block
truck chassis tool
6 pcs outriggers support pressure mat
Remote control



SQ3200ZB6(70ton) crane capacity
SQ3200ZB6 load chart(fully extended O/R)

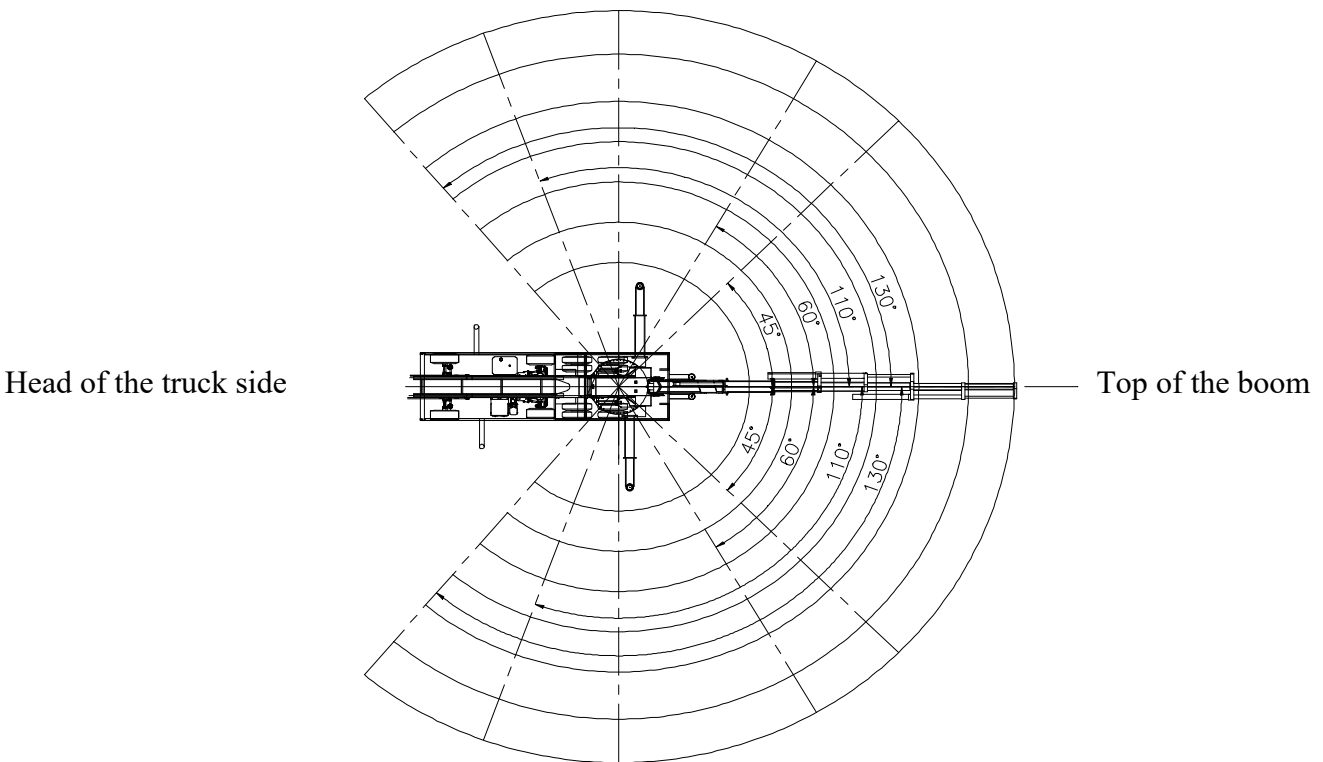
ON OUTRIGGERS FULLY EXTENDED 7.9M(keep all outrigger fully extended)

Note: Any time when you use crane, pls make sure all outriggers keep fully extended no matter

if want to carry the goods),if the working area is not big enough, you can retract some length of the outrigger must pay attention on the outrigger when the crane are working, when you found the outrigger leave the ground or any other side of the truck or the crane have some tilt or abnormal, pls stop carry goods and release the goods

Load capacity (kg)							
boom angle (level direction)	boom length (m)						
	4.94m	6.54m	8.14m	9.74m	11.34m	13.54m	15.44m
0°	68000	45000	34500	27000	23200	19300	16500
45°	68000	45000	34500	27000	23200	19300	16500
60°	48000	30000	21000	16800	13600	11000	9000
90°	30000	18000	13000	9800	7800	6300	5300
110°	25000	15000	10300	7700	6100	4900	4000
130°	22700	13200	9000	6630	5200	4200	3400

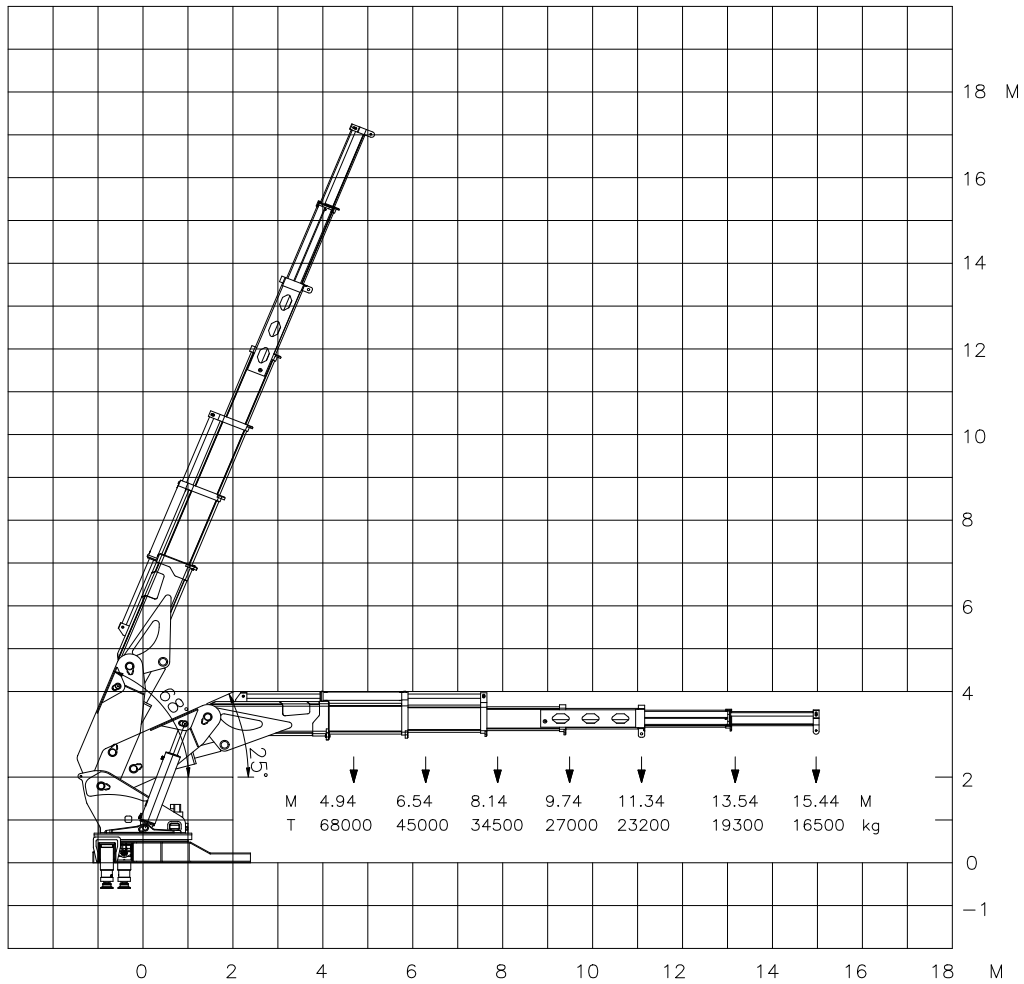
Boom level direction angle



Crane working area

Note: when you going to carry max Load capacity weight goods, pls put 25Ton balance Farmar or similar counterweight on the truck for keep the crane balance when in working

SQ3200 ZB6 crane load capacity



Note: The max loaded boom ang 68° 6 (vertical side),the max load capacity is same from 0 to 68 degree (same boom lenght)

CARRIER REQUIREMENTS

Wheelbase(WB): 8300mm

Cab to axle/trunnion(CA/CT):

After frame(AF): 1540mm

Frame section modulus(SM):

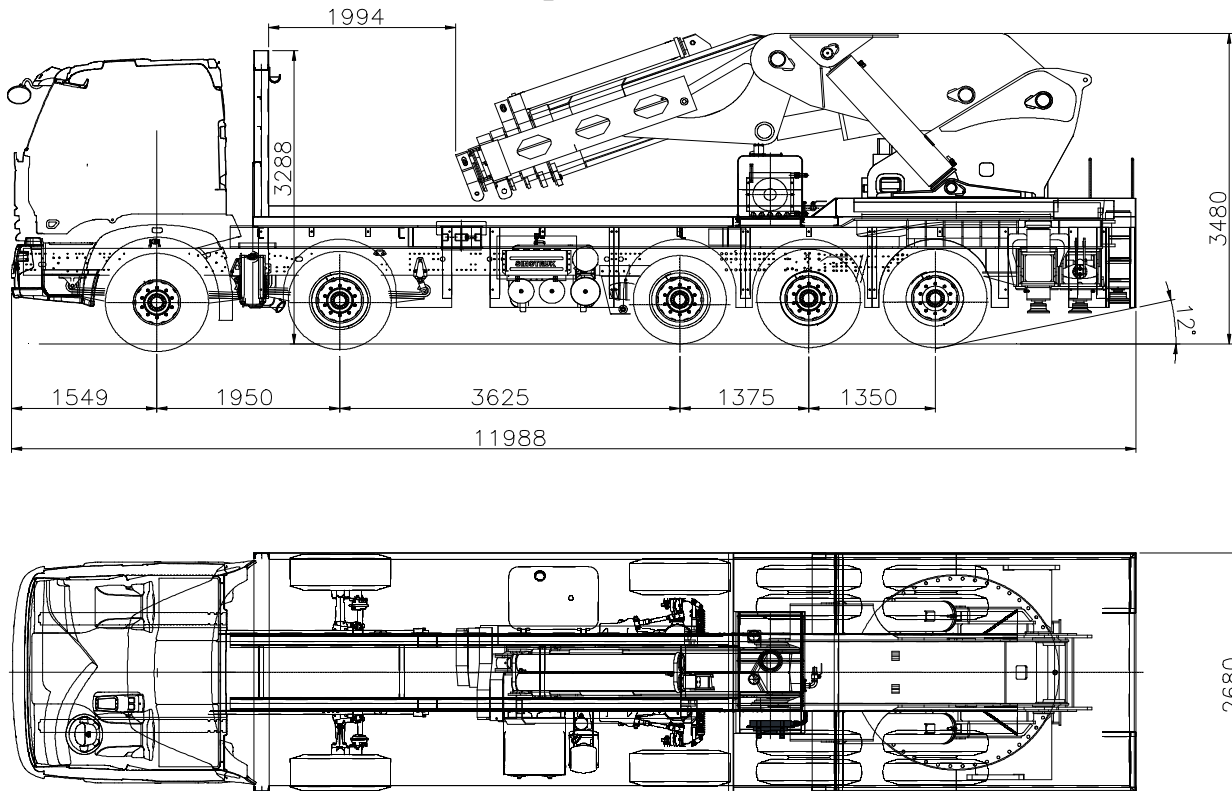
PTO torque: 440N-m

PTO revolution:

Minimun permissible axle load

	Pounds			Kilograms		
	GVW	Front	Rear	GVW	Front	Rear
Permissible axle load	116700	39600	77100	53000	18000	35000

SQ3200 ZB6 crane dimensional specifications



Introducing : Shaoguan City Crane Factory CO., LTD restructured from state modification enterprise, is located in the hub of national road transportation and the important industrial city of northern Guangdong—Shaoguan. SGQZ is one of the national authorized special vehicle manufacturers.

It has obtained the national CQC quality system certification in 2003. Now, SGQZ has become the diversified enterprise integrated with research, manufacture, sales and maintenance of series products—dumper, truck-mounted crane and another special vehicles. It covers an area of 120,000 square meters and is with over 30 senior engineers and technicians. The annual modification capability of special vehicles is up to 6,000.

SGQZ continuously introduces advanced equipment both at home and abroad. It has automated welding machines, CNC plasma cutting machines, automated undercutting machines, 7-meters-width curling machine, automated bending machines and various lathes, milling and drilling machines.

SGQZ has full manufacturing process of special vehicle, stamping, cold bending, welding, general assembly and painting, which provides superior hardware foundation facilities for making high-quality products.

Features

Manufacturing license: Shaoguan Crane Factory, Co Ltd is national authorized vehicle modified factory and has equipment manufacturing license (Number:TS2410189-2010B)

Hydraulic fitting: More and more balance valve, hydraulic valve, operated valve and another core fitting are improved for stability, durability and security

Back outrigger: The span of the two back vertical outrigger is large, which can increase the supporting area and stabilize the hoisting operation

Rotation device: high quality slewing support and reducer can make the hoisting operation smoother and implement a crane which is flexible and convenient and can greatly improve the efficiency

Flexible operation: Inner jib and outer jib can be operated at minus 15 degrees, so the crane can work in the low angle

Hexagon jibs: The hexagon jibs can effectively reduce the lateral shaking to make the operation safer

High strength steel:High strength steel can enhance the structure strength,reduce the weight of the crane and greatly improve performance



Shaoguan City Crane Factory CO., LTD

Tel: 0086-751-6653028

Fax: 0086-751-6653001

E-mail: service@sgqzj.com

Zip Code: 512025

Address:Yewu, National Highway 106, Zhuanxi, Maba Town, Qujiang District,
Shaoguan, Guangdong, China

Website : www.sgqzj.com www.sgcrane.com