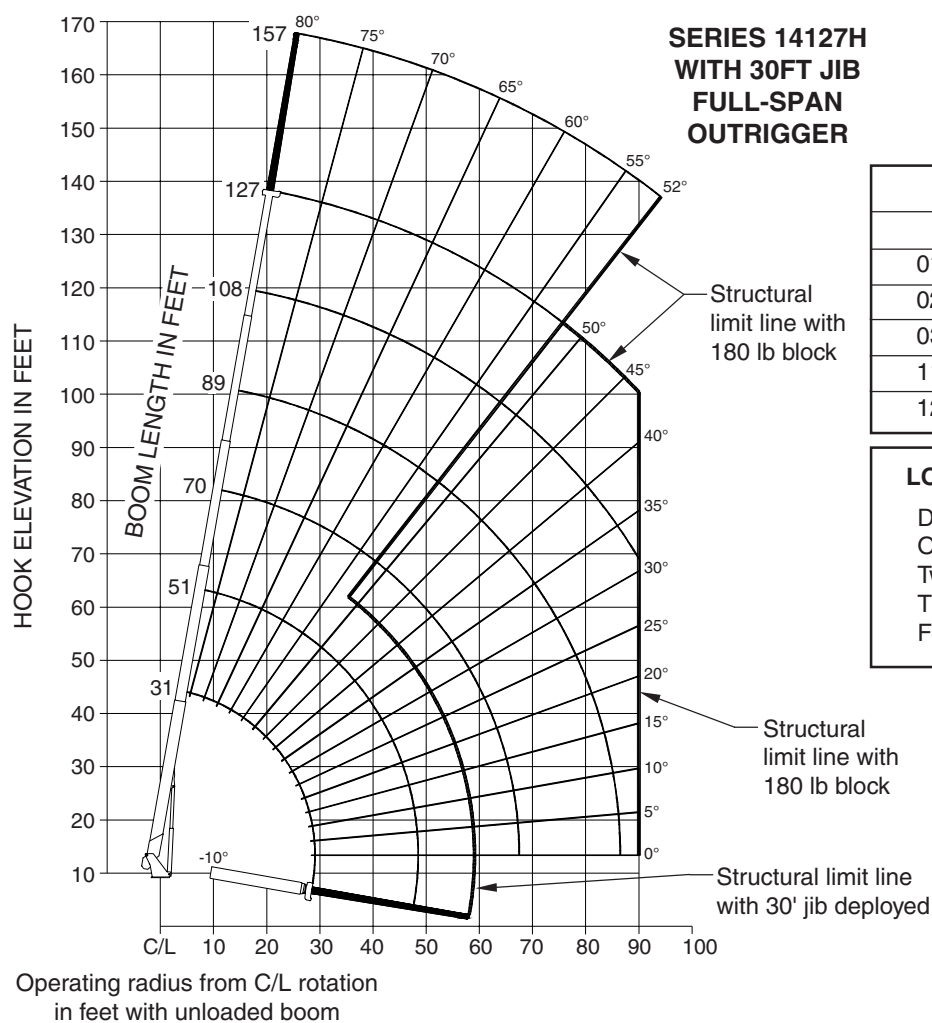


NATIONAL CRANE CORPORATION

SERIES 14127H WITH 30FT JIB FULL-SPAN OUTRIGGER

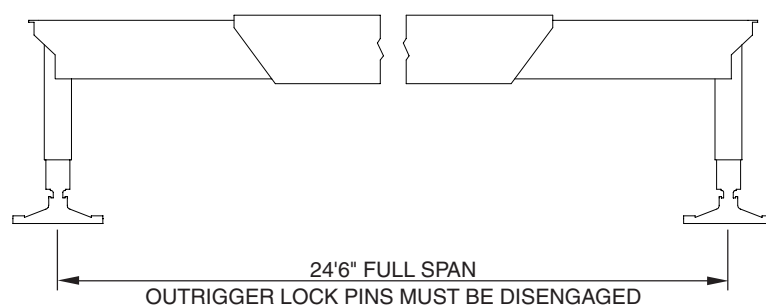


LMI OPERATING CODE	
OPERATING MODE	
01	Main Boom - No Jib Stowed
02	Main Boom - Jib Stowed
03	30 ft Jib
11	Man Basket on Main Boom
12	Man Basket on 30 ft Jib

LOADLINE EQUIPMENT DEDUCT	
Downhaul weight	180 lb
One sheave block	375 lb
Two sheave block	640 lb
Three sheave block	870 lb
Four sheave block	970 lb

NOTE:

1. Operate with jib by radius when main boom is fully extended. If necessary increase boom angle to maintain loaded radius.
2. Operate with jib by boom angle when main boom is not fully extended. Do not exceed rated jib capacities at any reduced boom lengths.
3. Capacities do not exceed 85% stability.
4. Shaded areas are structurally limited capacities.
5. Handling of personnel is only permitted with full span outriggers.
6. All capacities in pounds, angles in degrees, radii in feet.
7. Loaded boom angles are given as reference only.



LOAD RATINGS

LOAD RADIUS (FEET)	LOADED BOOM ANGLE	31FT BOOM (lb)	LOADED BOOM ANGLE	A 51FT BOOM (lb)	LOADED BOOM ANGLE	B 70FT BOOM (lb)	LOADED BOOM ANGLE	C 89FT BOOM (lb)	LOADED BOOM ANGLE	D 108FT BOOM (lb)	LOADED BOOM ANGLE	127FT BOOM (lb)	LOAD RADIUS (FEET)	LOADED BOOM ANGLE	30FT JIB (lb)
6	79.9	66,000											30	79.9	3,900
8	76	47,550											35	79.1	3,850
10	71.9	40,750	79.7	32,700									40	77.5	3,700
12	67.7	35,800	77.4	29,750									45	75.9	3,550
15	61.1	30,200	72.8	25,900	78.1	22,550							50	74.2	3,400
20	49.5	23,950	67.7	20,450	74.8	18,950	78.8	16,600					55	72.5	3,250
25	33.1	17,700	61.2	16,750	70.4	15,350	74.7	14,200	78.1	12,250	80.3	8,200	60	70.7	3,100
30			54.1	14,000	65.9	12,850	72.2	11,850	76.1	10,550	78.5	7,900	65	68.9	2,950
35			46.2	10,550	61.1	10,650	68.6	9,700	73.6	9,050	76.4	7,600	70	66.4	2,600
40			36.5	8,100	55.2	8,350	64.3	8,300	69.8	7,850	73.8	7,200	75	64.4	2,050
45			25.7	6,250	50.9	6,500	61.5	6,700	67.8	6,750	71.5	6,400	80	62.1	1,600
50					45	5,100	57.4	5,300	64.6	5,400	69.5	5,500	85	59.7	1,200
55					38.3	4,000	53.2	4,200	61.4	4,300	66.8	4,400	90	57.3	850
60					29.8	3,150	48.1	3,300	57.4	3,400	63.6	3,500	95	54.8	550
65					19.1	2,400	44	2,600	54.6	2,700	61.3	2,800			
70							38.7	2,000	51.1	2,100	58.4	2,150			
75							32.6	1,450	47.3	1,550	55.5	1,650			
80							24.5	1,000	43.2	1,100	52.2	1,200			
85							14	650	38.9	750	49.4	800			
90											45.6	500			
ADD TO CAPACITIES WHEN NO JIB STOWED (lb)		500		300		250		200		150		100			

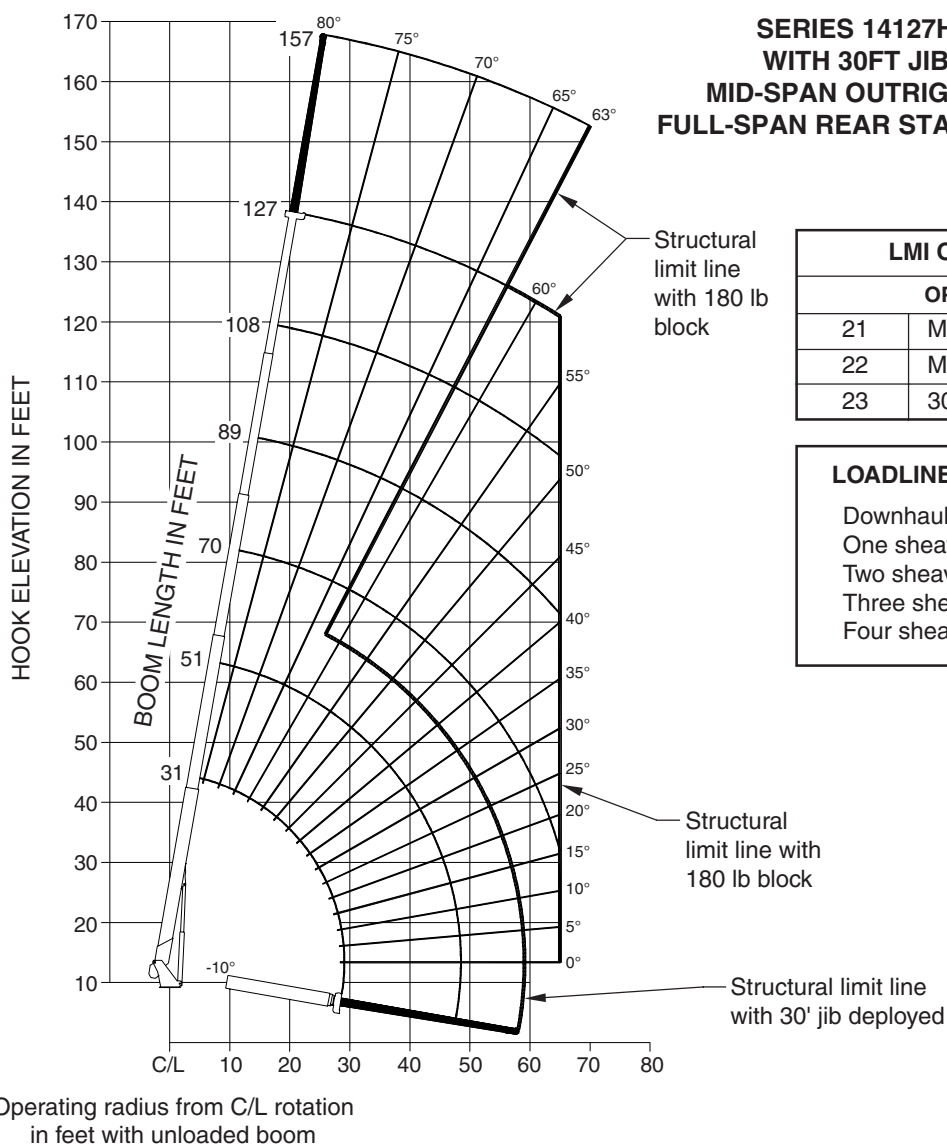
1 PART LINE	2 PART LINE	3 PART LINE	4 PART LINE	5 PART LINE	6 PART LINE	7 PART LINE	8 PART LINE
MAX. PULL 9,000 lb	MAX. PULL 18,000 lb	MAX. PULL 27,000 lb	MAX. PULL 36,000 lb	MAX. PULL 45,000 lb	MAX. PULL 54,000 lb	MAX. PULL 63,000 lb	MAX. PULL 66,000 lb

NOTICE

- Do not deadhead line block against boom tip when extending boom.
- Keep at least 3 wraps of loadline on drum at all times.
- Use only 5/8" diameter rotation resistant cable with 45,400 lb breaking strength on this machine.
- Maximum capacity with "burst of speed" is 4,400 lb.

NATIONAL CRANE CORPORATION

SERIES 14127H WITH 30FT JIB MID-SPAN OUTRIGGER FULL-SPAN REAR STABILIZER

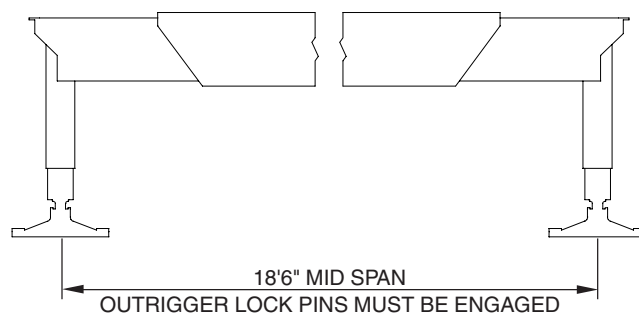


LMI OPERATING CODE	
OPERATING MODE	
21	Main Boom - No Jib Stowed
22	Main Boom - Jib Stowed
23	30 ft Jib

LOADLINE EQUIPMENT DEDUCT	
Downhaul weight	180 lb
One sheave block	375 lb
Two sheave block	640 lb
Three sheave block	870 lb
Four sheave block	970 lb

NOTE:

1. Operate with jib by radius when main boom is fully extended. If necessary increase boom angle to maintain loaded radius.
2. Operate with jib by boom angle when main boom is not fully extended. Do not exceed rated jib capacities at any reduced boom lengths.
3. Capacities do not exceed stability based on ISO 4305-1991.
4. Shaded areas are structurally limited capacities.
5. Handling of personnel is only permitted with full span outriggers.
6. All capacities in pounds, angles in degrees, radii in feet.
7. Loaded boom angles are given as reference only.



LOAD RATINGS

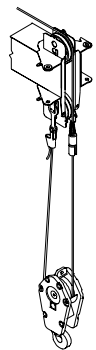
LOAD RADIUS (FEET)	LOADED BOOM ANGLE	31FT BOOM (lb)	LOADED BOOM ANGLE	A 51FT BOOM (lb)	LOADED BOOM ANGLE	B 70FT BOOM (lb)	LOADED BOOM ANGLE	C 89FT BOOM (lb)	LOADED BOOM ANGLE	D 108FT BOOM (lb)	LOADED BOOM ANGLE	127FT BOOM (lb)	LOAD RADIUS (FEET)	LOADED BOOM ANGLE	30FT JIB (lb)
6	80.1	58,800											30	80.6	3,900
8	76	47,550											35	79.1	3,850
10	71.9	40,750	79.7	32,700									40	77.5	3,700
12	67.8	35,800	77.4	29,750									45	75.9	3,550
15	61.2	30,200	73.8	25,900	79	22,550							50	74.2	3,400
20	48.9	20,100	67.7	20,450	74.8	18,950	78.8	16,600					55	72	2,650
25	33	12,550	61	13,450	70.3	13,800	75.5	14,000	78.8	12,250	80.4	8,200	60	69.7	1,950
30			53.8	9,250	65.5	9,550	71.8	9,750	76	9,900	78.5	7,900	65	67.4	1,350
35			46.6	6,600	61	6,850	68.4	7,050	73.1	7,200	76.4	7,350	70	65.1	850
40			37.5	4,800	55.9	5,050	64.7	5,250	70.1	5,400	73.7	5,500			
45			25.4	3,450	50.5	3,700	60.8	3,900	67	4,000	71.1	4,100			
50					44.5	2,650	56.8	2,850	63.9	2,950	68.4	3,050			
55					37.9	1,800	52.6	2,000	60.7	2,100	65.8	2,200			
60					29.9	1,100	48.2	1,300	57.4	1,400	63.1	1,500			
65					18.7	550	43.4	750	53.9	850	60.4	950			
	0	8,200	0	2,900											
ADD TO CAPACITIES WHEN NO JIB STOWED (lb)		500		300		250		200		150		100			

1 PART LINE



MAX. PULL
9,000 lb

2 PART LINE



MAX. PULL
18,000 lb

3 PART LINE



MAX. PULL
27,000 lb

4 PART LINE



MAX. PULL
36,000 lb

5 PART LINE



MAX. PULL
45,000 lb

6 PART LINE



MAX. PULL
54,000 lb

7 PART LINE



MAX. PULL
63,000 lb

8 PART LINE



MAX. PULL
66,000 lb

NOTICE

- Do not deadhead line block against boom tip when extending boom.
- Keep at least 3 wraps of loadline on drum at all times.
- Use only 5/8" diameter rotation resistant cable with 45,400 lb breaking strength on this machine.
- Maximum capacity with "burst of speed" is 4,400 lb.