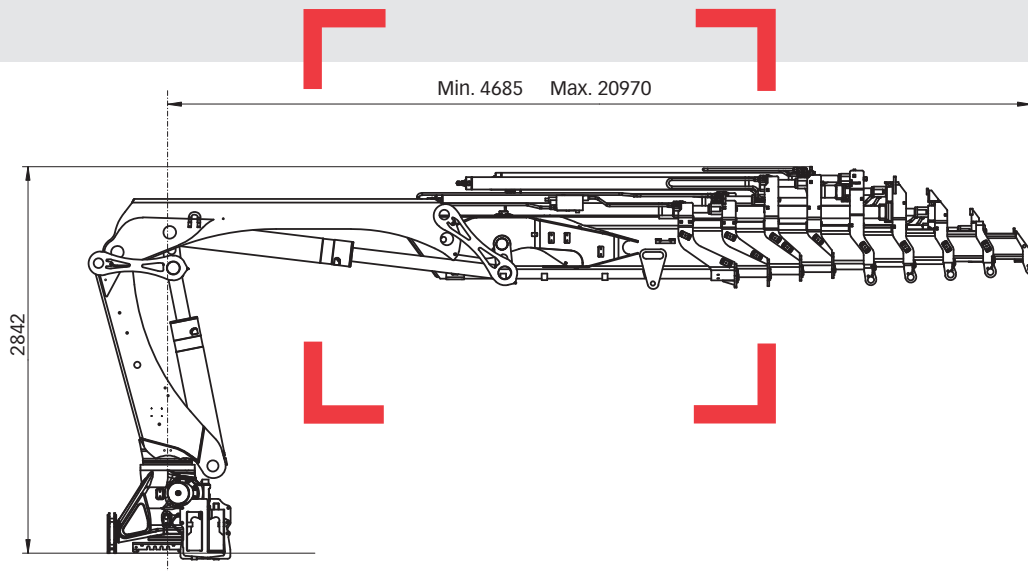
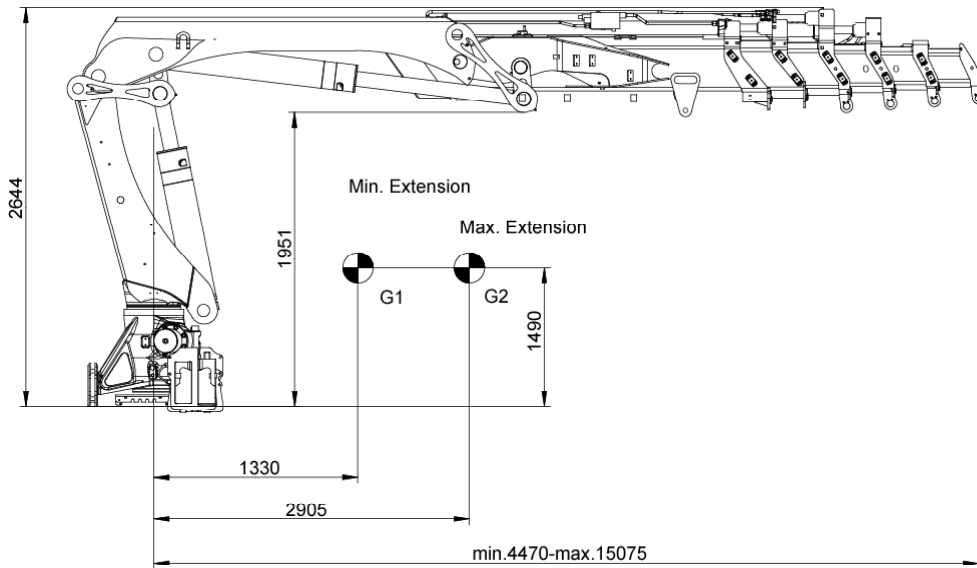


# HIAB 288 Range 24-28 tm

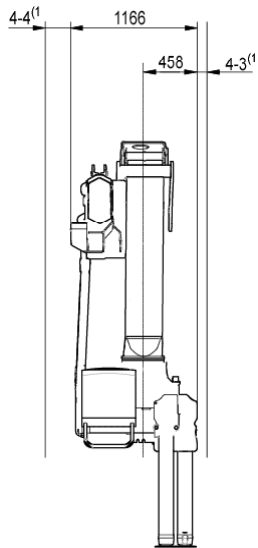


Technical data

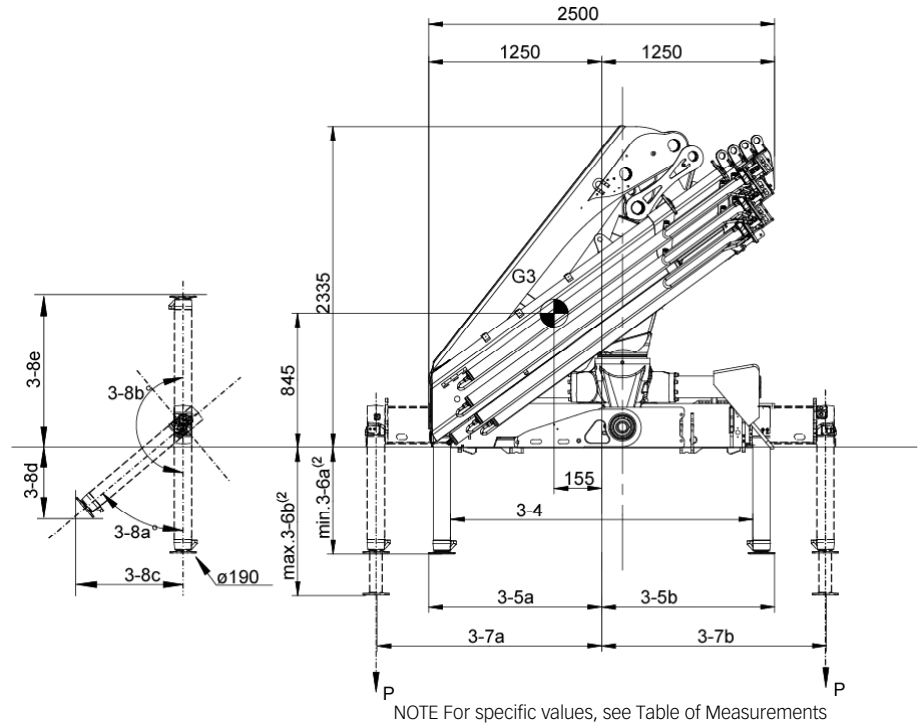
## Side View Unfolded Stretched



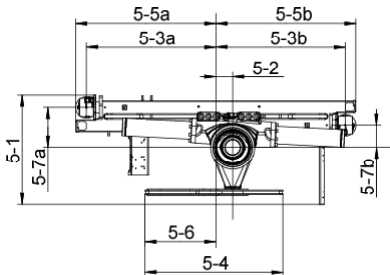
## Side View Folded



## Front View Folded

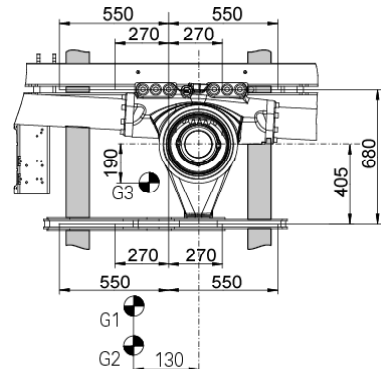


## Top View Crane Base



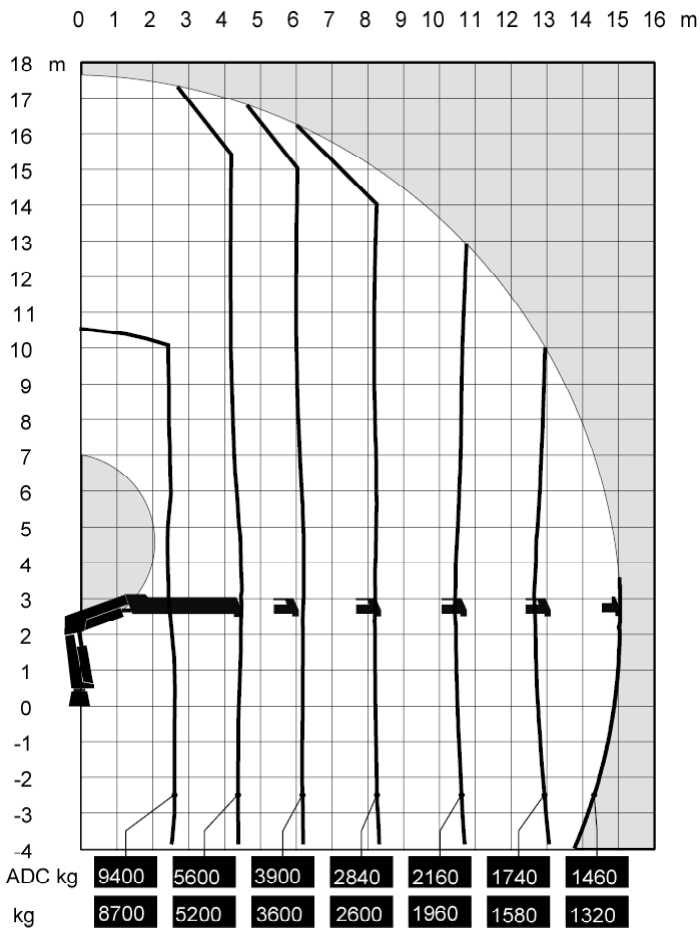
NOTE For specific values, see Table of Measurements

## Chassis Installation



(1) Variable value depending on option.  
 (2) Variations may occur depending on mounting position.

**Load Diagram**



**Capacity and performance**

Lifting capacity with ADC	246.3 (kNm)
Lifting capacity	227.4 (kNm)
Standard lifting capacity at standard outreach with ADC	2.6 (m) - 9400 (kg) 4.5 (m) - 5600 (kg) 6.2 (m) - 3900 (kg) 8.2 (m) - 2840 (kg) 10.4 (m) - 2160 (kg) 12.7 (m) - 1740 (kg) 15.0 (m) - 1460 (kg)
Standard lifting capacity at standard outreach	2.6 (m) - 8700 (kg) 4.5 (m) - 5200 (kg) 6.2 (m) - 3600 (kg) 8.2 (m) - 2600 (kg) 10.4 (m) - 1960 (kg) 12.7 (m) - 1580 (kg) 15.0 (m) - 1320 (kg)
Manual lifting capacity at extension	17.2 (m) - 1200 (kg)
Heavy lift capacity at heavy lift outreach	2.2 (m) - 10900 (kg)
Hydraulic boom extension	10.6 (m)
Manual max outreach	17.4 (m)
Lifting height above installation level hydraulic	17.7 (m)
Lifting height above installation level manual	19.8 (m)
Slewing torque	34 (kNm)
V80 Slewing speed	15 (°/s)
Slewing angle	420 (°)
Lifting speed	2.3 (m/s)

**Functional demands**

Recommended oil flow low	70 (l/min)
Recommended oil flow high	90 (l/min)
Working pressure	33 (MPa)
Max slope viable at full capacity	5 (°)

**Weights and measurements**

Height in folded position	2335 (mm)
Width in folded position	2500 (mm)
Installation space needed	1166 (mm)
Weight of crane	3150 (kg)
Weight support leg equipment	402 (kg)

**Side View Unfolded Close in Area**

