

# Hiab XS 477

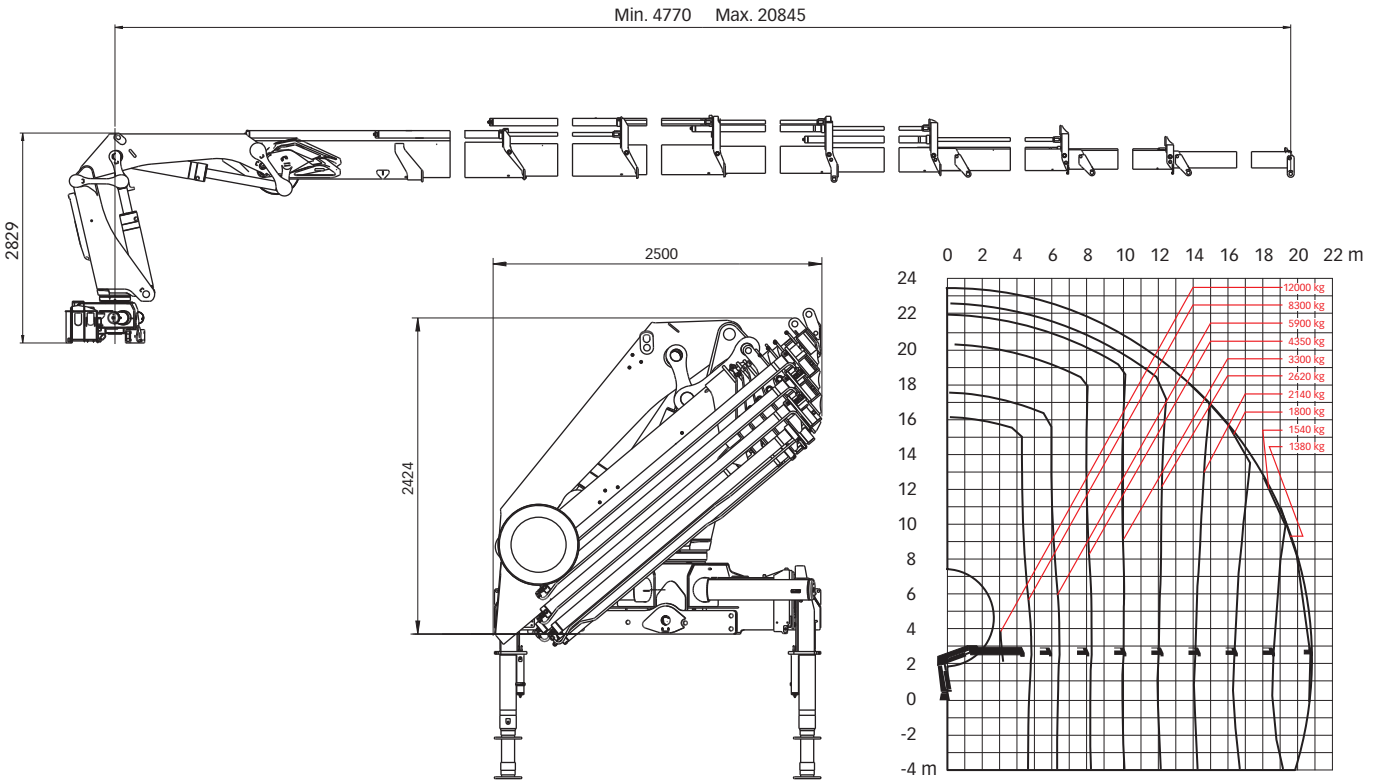
## Range 40-44 tm



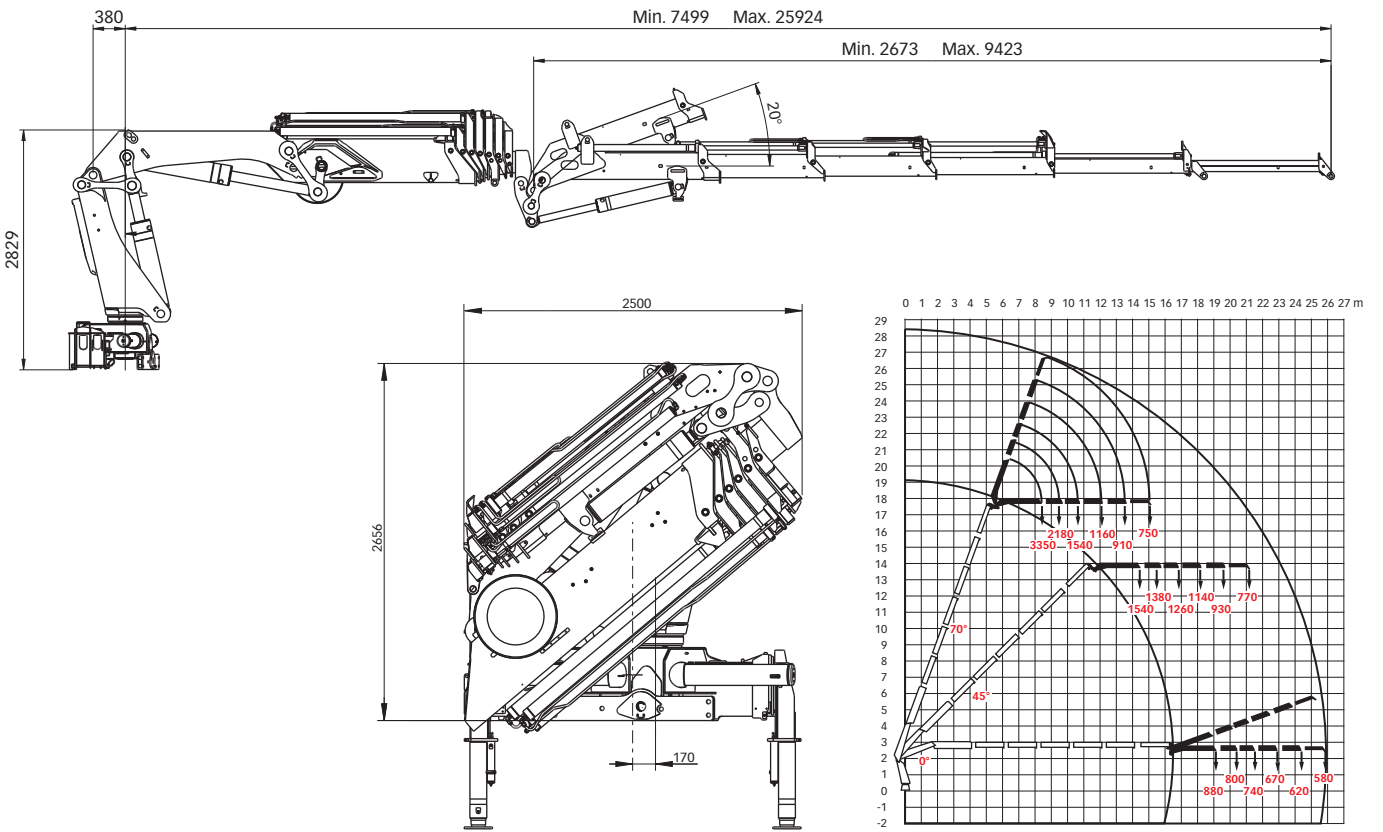
# Hiab XS 477 Basic data

<b>Technical data</b>	<b>EP-5 Duo</b>	<b>EP-5 HiDuo</b>	<b>E-6 HiPro</b>	<b>E-8 HiPro</b>
Max. lifting capacity (kNm)	348	368	370	359
Outreach - hydraulic extensions (m)	15.4	15.4	16.5	20.8
Outreach - manual extensions (m)	-	-	20.2	23.0
Outreach - Jib (m)	-	-	25.9	-
Outreach / Lifting capacity, standard (m / kg)	3.1 / 12000	3.3 / 12000	3.3 / 12000	3.2 / 12000
	4.9 / 7800	4.9 / 8300	4.9 / 8400	4.8 / 8300
	6.8 / 5500	6.8 / 5800	6.5 / 6100	6.4 / 5900
	8.8 / 4100	8.8 / 4350	8.4 / 4500	8.2 / 4350
	11.0 / 3200	11.0 / 3400	10.2 / 3550	10.1 / 3300
	13.2 / 2620	13.2 / 2800	12.2 / 2880	12.1 / 2620
	15.4 / 2240	15.4 / 2380	14.3 / 2420	14.2 / 2140
	-	-	16.5 / 2080	16.4 / 1800
	-	-	-	18.6 / 1540
	-	-	-	20.8 / 1380
Outreach / Lifting capacity, with Jib (m / kg)	-	-	19.0 / 880	-
	-	-	20.2 / 800	-
	-	-	21.4 / 740	-
	-	-	22.8 / 670	-
	-	-	24.3 / 620	-
	-	-	25,8 / 580	-
Slewing angle	400°	400°	400°	400°
Height in folded position (mm)	2503	2503	2404	2422
Width in folded position (mm)	2500	2500	2500	2500
Installation space needed (mm)	1620	1620	1575	1530
Weight - "standard" crane without stabilizers (kg)	4420	4430	4590	4890
Weight - stabilizer equipment (kg)	630 - 840	630 - 840	630 - 840	630 - 840
Weight - jib (kg)	-	-	1100	-

**Hiab XS 477 E-8 HiPro**



**Hiab XS 477 E-6 HiPro jib 100X-5**



**Disclaimer.** Hiab cranes have been built to meet the highest standards of safety and service life and have been thoroughly tested. Strength calculations for this model have been carried out in accordance with EN13001 in fatigue class S1. Cargotec's certified Quality Assurance System complies with ISO 9001. Some of the items in our literature may be extra equipment. Certain applications may require an official permit. We reserve the right to change technical specifications without prior notice. Hiab cranes produced for EU-countries are CE-marked and comply with the European Standard EN 12999.

**Cargotec** improves the efficiency of cargo flows by offering solutions for the loading and unloading of goods on land and at sea – wherever cargo is on the move. Cargotec's main daughter brands for cargo handling Hiab, Kalmar and MacGregor are global market leaders in their fields. [www.cargotec.com](http://www.cargotec.com)

