

THE WORLD'S FAVOURITE MINI CRANES



MC104 | MC174 | MC285-2 | MC305-2 | MC405 | LC383 | LC785 | LC1385



Maeda Mini Cranes

Time and time again these innovative machines are proving their worth. From panelling and cladding, through the full spectrum of glass handling to restoration projects, specialist lifting applications or in restricted areas on domestic and construction sites. Their compact dimensions and ability to manoeuvre mean that in many lift situations they replace the need for much larger cranes.

The smaller MC cranes get in to places you wouldn't have dreamt possible. Most are slender enough to fit through a standard doorway and house enough power to complete heavy lifts once in place. The larger LC models are still very compact yet boast much higher lifting capacities and heights while retaining excellent manoeuvrability and flexibility.

Maeda have been producing these mini cranes in Japan since 1980 and are market leaders in their territory with over 70% market share. In Europe the cranes are providing fantastic results and are quickly becoming recognized as the "must have" new product for both hire companies and construction companies alike. New uses for these products are being found almost daily and in all applications end users are seeing both time and cost saving benefits. Whatever your industry, Maeda mini cranes will both meet and exceed your needs.

Maeda Mini Cranes are also highly environmentally friendly as they feature an electric option in combination with an energy saving system. This is now a standard feature on the newer machines and one which will continue into all new Maeda products.

We hope that you find this brochure useful and informative but should you require any further information about any of the products detailed here, please contact your local authorised Maeda distributor using the contact information given at the rear of this brochure.



MC104

Page 6



MC174

Page 8



MC285-2

Page 10



MC305-2

Page 12

... consider the possibilities



MC405
Page 14

LC383
Page 16

LC785
Page 18

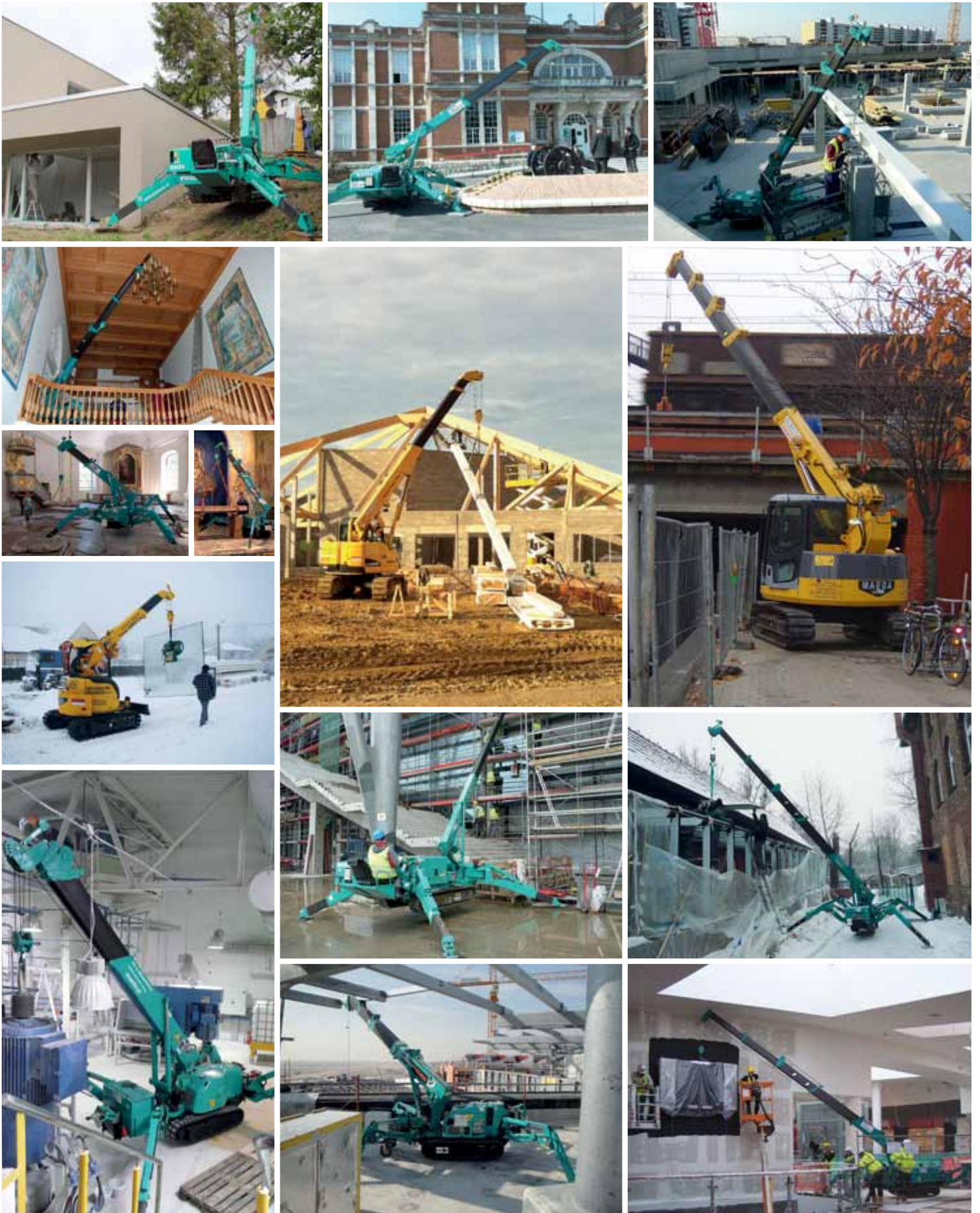
LC1385
Page 20



Gallery



... consider the possibilities





MC104 CER Mini Crane

The MC104 is the baby of the Maeda Mini Cranes range, yet still has a fantastic lifting capacity. Its slim body is able to fit through a standard doorway allowing access to areas previously inaccessible to standard cranes. The MC104 is powered by an electric motor which operates from any standard 3 phase electric source.

Features at a glance...

- 0.995 Ton Max capacity
- 5.5m Max Working Height
- Slim Body (600mm)
- Electric Motor
- Low Ground Pressure
- Manoeuvrability & Stability
- Hydrostatic Transmission
- Rubber Tracks
- Remote Control
- 2 Year Warranty

More Images...



Glazing



Stonework



Restricted Access



Rooftop Lift



Travelling

... consider the possibilities



Specifications

Capacity	Maximum	0.995t x 1.1m
Working Radius	Maximum	5.1m x 200kg
Lifting Height	Maximum	5.5m x 650kg
Dimensions	MC104CER	2160mm x 600mm x 1305mm
Weight	MC104CER	1050kg
	Hook Block Weight	15kg
Hook Speed	Maximum	3.2m / min. (4 falls, 3rd layer)
Single Line Speed	Maximum	12.8m / min. (3rd layer)
Hoist Rope	Type	IWRC 6 x Fi (29) Ø 6mm x 39m
Telescopic System	Boom length	1.85m - 5.30m
	Telescoping speed	3.45m / 20sec.
	Boom type	Fully automatic 4 section pentagonal telescopic boom
Boom Hoist System	Hoist angle / speed	0° - 75° / 11 sec.
Slew System	Slew angle / speed	360° continuous / 1.3 rpm
Outrigger System	Type	4 Multi position box type. Hydraulic cylinders with lock valves.
	Maximum extended dimensions	(Length) 3400mm x (Front) 3300mm x (Rear) 2785mm
Traction System	Drive	Hydrostatic type, stepless forward and reverse
	Travel speed	0 - 1.9 km/h
	Gradability	20°
	Ground length x width	1044mm x 180mm (Track dimensions)
Motor	Electric Motor	5.5kW, 4P, 380v
		Totally enclosed fan-cooled type.
Standard Equipment	Working light, hour-meter, 4-fall hook block, black rubber tracks, cable remote control, overwind protection, EMO switch	
Optional Equipment	White rubber tracks, single fall hook, two fall hook, radio remote control.	

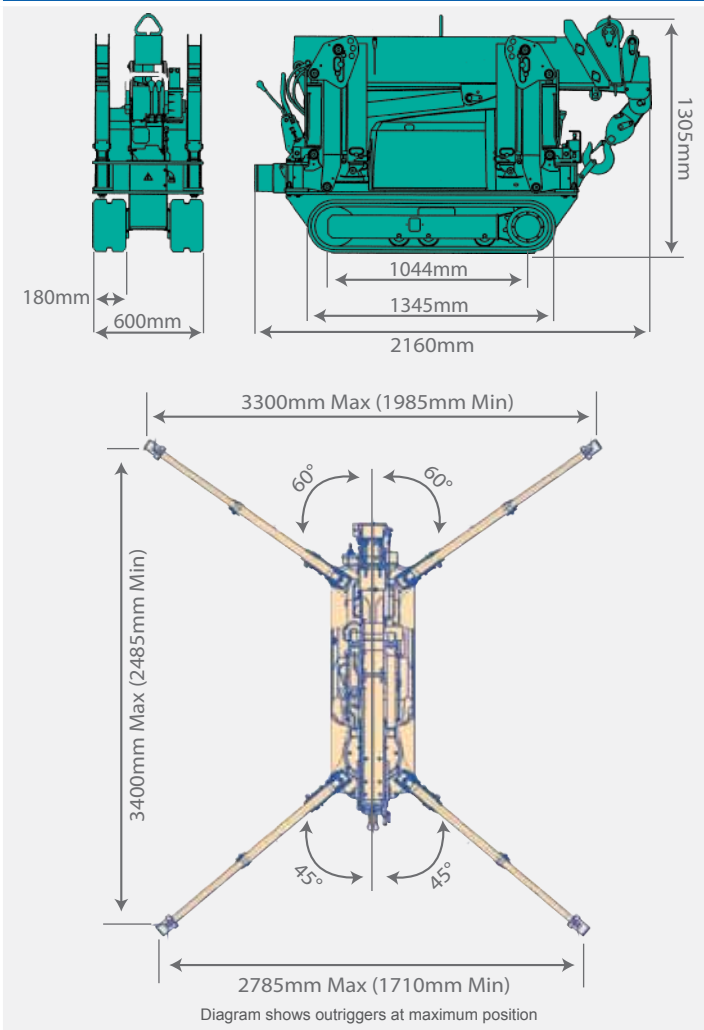
Total rated load Outriggers at Maximum position

1.85m boom		3.00m boom		4.15m boom		5.30m boom	
Working radius (m)	Total rated load (kg)	Working radius (m)	Total rated load (kg)	Working radius (m)	Total rated load (kg)	Working radius (m)	Total rated load (kg)
< 1.1	995	< 1.1	995	< 1.8	820	< 2.4	650
1.3	980	1.3	980	2.0	750	2.5	620
1.5	890	1.5	890	2.5	620	2.8	550
1.65	790	2.0	750	2.8	550	3.0	500
		2.5	620	3.0	500	3.5	380
		2.8	550	3.5	380	4.0	300
				3.95	300	4.5	250
						5.1	200

Total rated load Outriggers at any other position

1.85m boom		3.00m boom		4.15m boom		5.30m boom	
Working radius (m)	Total rated load (kg)	Working radius (m)	Total rated load (kg)	Working radius (m)	Total rated load (kg)	Working radius (m)	Total rated load (kg)
< 1.1	735	< 1.1	735	< 1.8	435	< 2.4	295
1.3	620	1.3	620	2.0	405	2.5	280
1.5	540	1.5	540	2.5	280	2.8	210
1.65	490	2.0	405	2.8	210	3.0	185
		2.5	280	3.0	185	3.5	140
		2.8	210	3.5	140	4.0	100
				3.95	110	4.5	75
						5.1	60

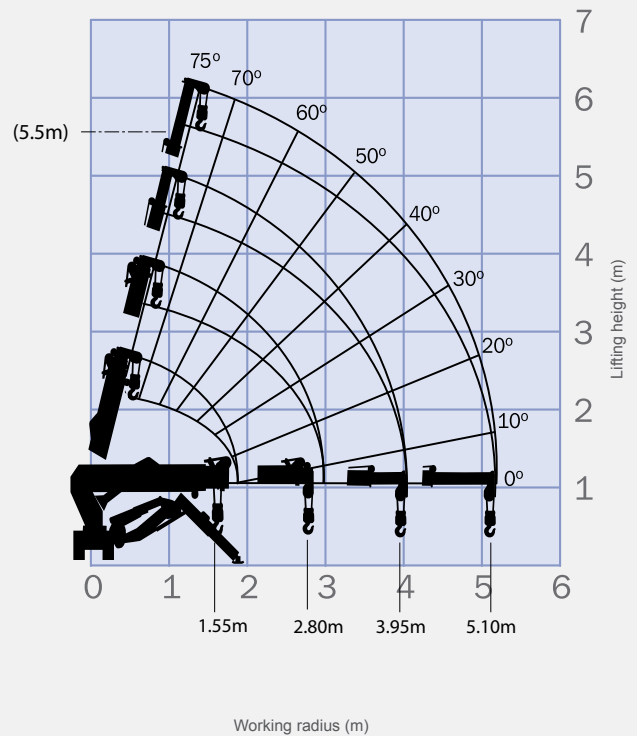
Dimensions



Maximum Reach Below Ground Level

Four Fall	Two Fall	Single Fall
8m	16m	32m

Working Range Diagram



The Working Range Chart does not take into account boom deflection under load.



MC174 CRM Mini Crane

The Maeda MC174 sets the standard that other mini cranes try to achieve. Its super slim width of 590mm coupled with its 1.72 ton lifting capacity make it absolutely unparalleled. This fantastic machine also retains all of the other benefits of the machines in the Maeda range including a 2 year warranty, remote control and unrivalled build quality and usability.

Features at a glance...

- 1.72 Ton Max capacity
- 5.5m Max Working Height
- Super Slim Body Width (590mm)
- Low Ground Pressure
- Manoeuvrability & Stability
- Programmable Moment Limiter
- Hydrostatic Transmission
- Tilt Alarm
- Rubber Tracks
- High Speed Winch
- 2 Travel Speeds
- Remote Control
- Optional 300kg Searcher Hook
- 2 Year Warranty

More Images...



... consider the possibilities



Specifications

Capacity	Maximum	1.72t x 1m
Working Radius	Maximum	5.17m x 220kg
Lifting Height	Maximum	5.5m x 770kg
Dimensions	MC174 CRM	2000mm x 590mm x 1300mm
Weight	MC174 CRM	1290kg
	Hook Block Weight	20kg
Hook Speed	Maximum	10.9m / min. (4 falls, 3rd layer)
Single Line Speed	Maximum	43.6m / min. (3rd layer)
Hoist Rope	Type	IWRC 6 x Fi (29) Ø 6mm x 35m
Telescopic System	Boom length	1.83m - 5.45m
	Telescoping speed	3.62m / 15 sec.
	Boom type	Fully automatic 4 section pentagonal telescopic boom
Boom Hoist System	Hoist angle / speed	3° - 77° / 12 sec.
Slew System	Slew angle / speed	360° continuous / 2.0 rpm
Outrigger System	Type	4 Multi position box type. Hydraulic cylinders with lock valves
	Maximum extended dimensions	(Length) 3335mm x (Front) 3060mm x (Rear) 2885mm
Traction System	Drive	Hydrostatic type, stepless forward and reverse
	Travel speed	0 - 3.3km/h
	Gradability	20°
	Ground length x width	1044mm x 180mm (Track dimensions)
	Ground pressure	0.34 kgf / cm ²
Engine	Model	Mitsubishi GB400LE
	Type	1 Cylinder, Air Cooled, Petrol
	Rated output	6.6kW / 1800 rpm
	Starting method	Electric
	Fuel tank capacity	Petrol / 6L
Standard Equipment	Cable remote control, overwind protection, hydraulic safety valves, working light, hour-meter, 4-fall hook block, black rubber tracks, moment limiter, EMO switch, level, tilt alarm, working status lamp.	
Optional Equipment	White rubber tracks, single fall hook, two fall hook, 300kg searcher hook, remote control, LPG option.	

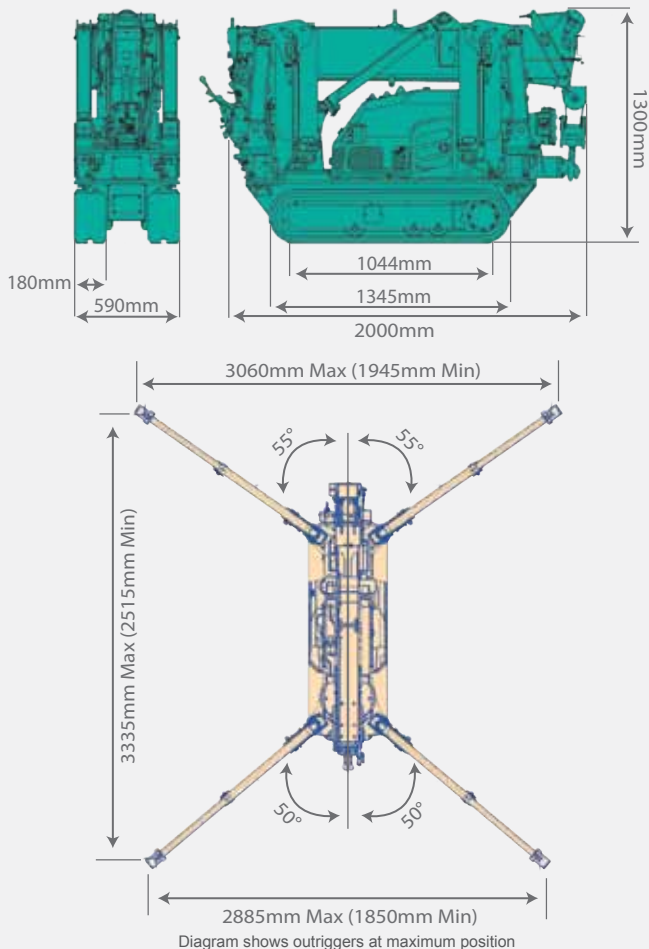
Total rated load Outriggers at Maximum position

1.83m boom		2.97m boom		4.21m boom		5.45m boom	
Working radius (m)	Total rated load (kg)	Working radius (m)	Total rated load (kg)	Working radius (m)	Total rated load (kg)	Working radius (m)	Total rated load (kg)
<1.0	1720	<1.0	1720	<1.3	1320	<1.7 or	770
1.30	1320	1.30	1320	1.50	1120	2.00	700
1.55	1090	1.50	1120	2.00	820	2.50	660
		2.00	820	2.50	670	2.80	580
		2.50	670	3.00	530	3.00	530
		2.69	580	3.50	420	3.50	410
				3.93	370	4.00	330
						4.50	270
						5.17	220

Total rated load Outriggers at any other position

1.83m boom		2.97m boom		4.21m boom		5.45m boom	
Working radius (m)	Total rated load (kg)	Working radius (m)	Total rated load (kg)	Working radius (m)	Total rated load (kg)	Working radius (m)	Total rated load (kg)
<1.0	1220	<1.0	1220	<1.3	940	<1.7	720
1.30	940	1.30	940	1.50	810	2.00	600
1.55	790	1.50	810	2.00	600	2.50	390
		2.00	600	2.50	390	2.80	330
		2.50	390	3.00	300	3.00	300
		2.69	310	3.50	220	3.50	220
				3.93	180	4.00	180
						4.50	140
						5.17	100

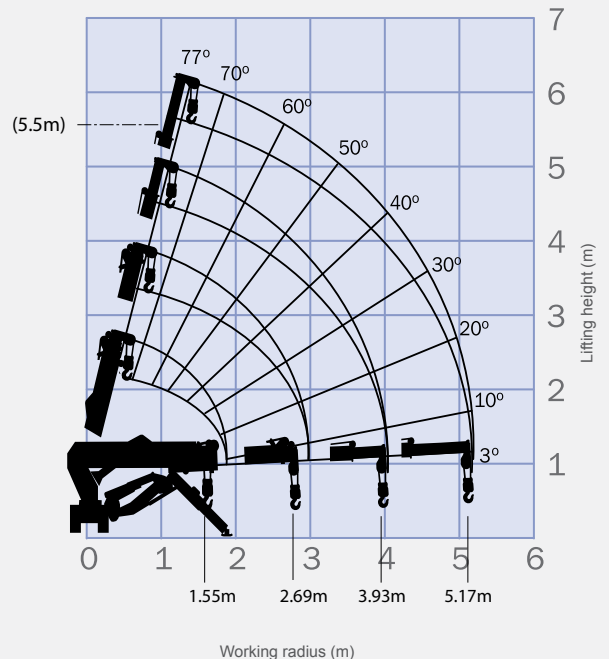
Dimensions



Maximum Reach Below Ground Level

Four Fall	Two Fall	Single Fall
7m	14m	28m

Working Range Diagram



The Working Range Chart does not take into account boom deflection under load.



MC285 CRM(E)-2 Mini Crane

The MC285 boxes way above its weight with a massive 2.82 ton lifting capacity while measuring just 750mm wide when stowed. Its slim body is able to fit through most doorways allowing access to areas previously inaccessible to standard cranes. The MC285 has proven to be one of the most popular models of mini crane and is used in many varied applications. The new MC285-2 model features improved safety features, a 4/2 fall hook block as standard and is faster and easier to operate than ever before.

Features at a glance...

- 2.82 Ton Max Capacity
- 8.7m Max Working Height
- Super Slim Body Width (750 mm)
- Outrigger Interlock System
- Low ground pressure
- Manoeuvrability & Stability
- New Programmable Moment Limiter
- Hydrostatic Transmission
- 4/2 Fall Hook Block
- Tilt Alarm
- Digital Feedback Remote Control System
- Powerful Winch with Hydraulic Disc Brake
- 850kg Optional Searcher Hook
- Data Logger
- 2 Year Warranty



More Images...



Glazing



Restricted Access



Railway Maintenance



General Lifting



Maintenance Work

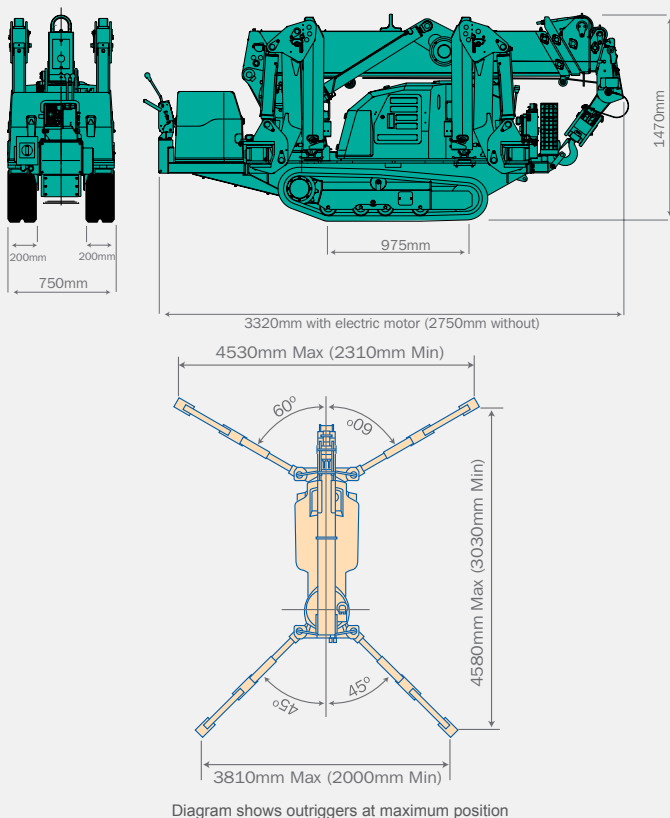
... consider the possibilities



Specifications

Capacity	Maximum	2.82 t x 1.4m
Working Radius	Maximum	8.205m x 150kg
Lifting Height	Maximum	8.7m x 550kg
Dimensions	MC285 CRM MC285 CRME	2750mm x 750mm x 1470mm 3320mm x 750mm x 1470mm
Weight	MC285 CRM MC285 CRME Hook Block Weight	1960kg 2120kg 30kg
Hook Speed	Maximum	9.3m / min. (4 falls, 4th layer)
Single Line Speed	Maximum	37.2m / min. (4th layer)
Hoist Rope	Type	IWRC 6 x Fi (29) Ø 7mm x 48m
Telescopic System	Boom length Telescoping speed Boom type	2.535m - 8.575m 6.04m / 22 sec. Fully automatic 5 section pentagonal telescopic boom
Boom Hoist System	Hoist angle / speed	0° - 80° / 14 sec.
Slew System	Slew angle / speed	360° continuous / 1.0 rpm
Outrigger System	Type Maximum extended dimensions	1st stage with flexible stay damper, 2nd stage manual pullout, hydraulic cylinder direct acting type (Length) 4580mm x (Front) 4530mm x (Rear) 3810mm
Traction System	Drive Travel speed Gradability Ground length x width Ground pressure	Hydraulic motor driven, stepless speed changer 0 - 2.2 km/h 20° 975mm x 200mm (Track dimensions) 0.497 kgf / cm² (0.537 kgf / cm² CRME)
Engine	Model Type Rated output Starting method Fuel tank capacity	Yanmar 2TNV70-NMBA 2 cylinder water cooled diesel 7.4 kW / 2500 rpm Electric Diesel / 12L
Electric Motor (Optional)	Type Size	Fully enclosed fan cooled motor 5.5 kW 4P 380V
Standard Equipment	Overwind protection, hour meter, digital feedback remote control, black rubber tracks, hydraulic safety valves, level, tilt alarm, EMO switch, moment limiter, working status lamp, data logger, outrigger interlock system, 4-fall / 2-fall hook block	
Optional Equipment	White rubber tracks, single fall hook, 300kg/850kg searcher hook, radio remote control	

Dimensions



Total rated load Outriggers at Maximum position

2.53m/4.075m boom		5.575m boom		7.075m boom		8.575m boom	
Working radius (m)	Total rated load (kg)	Working radius (m)	Total rated load (kg)	Working radius (m)	Total rated load (kg)	Working radius (m)	Total rated load (kg)
< 1.4	2820	< 3.0	1220	< 3.6	820	< 4.0	550
1.5	2520	3.5	970	4.0	740	4.5	400
2.0	1920	4.0	780	4.5	580	5.0	340
2.5	1570	4.5	630	5.0	480	5.5	300
3.0	1220	5.0	530	5.5	430	6.0	270
3.5	970	5.205	530	6.0	380	6.5	230
3.705	920			6.5	350	7.0	200
				6.705	330	7.5	180
						8.0	150
						8.205	150

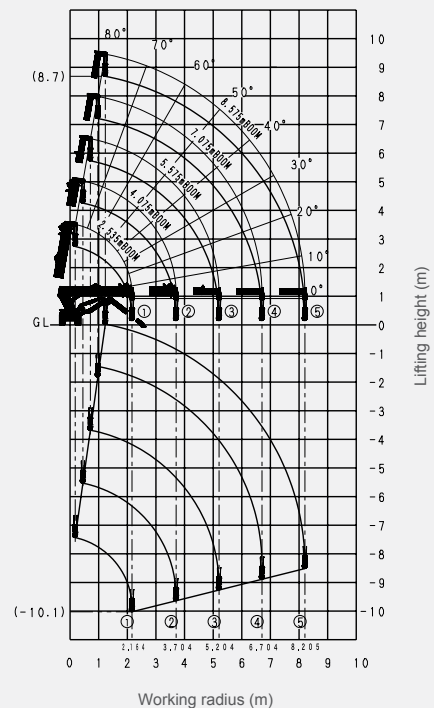
Total rated load Outriggers at any other position

2.53m/4.075m boom		5.575m boom		7.075m boom		8.575m boom	
Working radius (m)	Total rated load (kg)	Working radius (m)	Total rated load (kg)	Working radius (m)	Total rated load (kg)	Working radius (m)	Total rated load (kg)
< 1.5	1720	< 3.0	510	< 3.6	400	< 4.0	330
2.0	1070	3.5	410	4.0	330	4.5	280
2.5	630	4.0	330	4.5	280	5.0	230
3.0	520	4.5	280	5.0	230	5.5	180
3.5	430	5.0	230	5.5	180	6.0	160
3.705	350	5.205	200	6.0	160	6.5	150
				6.5	150	7.0	100
				6.705	140	7.5	80
						8.0	70
						8.205	60

Maximum Reach Below Ground Level

Four Fall	Two Fall	Single Fall
10.10m	20.20m	40.40m

Working Range Diagram



The Working Range Chart does not take into account boom deflection under load.



MC305 CRM(E)-2 Mini Crane

The MC305-2 is the first of the “ride on” Maeda Mini Cranes and is extremely powerful for its small stature. Up to 2.98 tons of lifting power from a machine only 1280mm wide. The superior quality and engineering of the Maeda product line gives longevity of use and higher return on rental investments are enjoyed by end users across the board.



Features at a glance...

- 2.98 Ton Max Capacity
- 12.52m Max Working Height
- Energy Saving System
- Sheaves Protected Inside Boom
- Variable (Hi/Lo) Travel Speeds
- Programmable Moment Limiter
- Hydrostatic Transmission
- Centralized Controls
- 4 Fall / 2 Fall Hook Block
- Automatic Hook Stowage System
- Tilt Alarm
- Powerful Two Speed Winch with Hydraulic Disc Brake
- Digital Feedback Remote Control
- Outrigger Interlock System
- Optional 300kg Searcher hook
- Data Logger
- 2 Year Warranty

More Images...



Glazing



Uneven Ground



Installations



Steel Erecting



General Lifting

... consider the possibilities



Specifications

Capacity	Maximum	2.98 t x 2.5m
Working Radius	Maximum	12.16m x 260kg
Lifting Height	Maximum	12.52m x 790kg
Dimensions	MC305 CRM(E)	4285mm x 1280mm x 1695mm
Weight	MC305 CRM MC305 CRME Hook Block Weight	3900kg 4040kg 30kg
Hook Speed	Maximum	13.5m / min. (4 falls, 4th layer)
Single Line Speed	Maximum	54m / min. (4th layer)
Hoist Rope	Type	IWRC 6 x WS (26) Ø 8mm x 73m
Telescopic System	Boom length Telescoping speed Boom type	3.695m - 12.485m 8.79m / 26 sec Fully automatic 5 section pentagonal telescopic boom
Boom Hoist System	Hoist angle / speed	0° - 80° / 14.5 sec
Slew System	Slew angle / speed	360° continuous / 2.4 rpm
Outrigger System	Type Maximum extended dimensions	Extension and set-up by hydraulic cylinders. (Length) 4888mm x (Front) 4504mm x (Rear) 4396mm
Traction System	Drive Travel speed Gradability Ground length x width Ground pressure	Hydraulic motor driven, stepless speed changer 0 - 2.8 km/h 23° 1750mm x 300mm (Track dimensions) 0.37 kgf / cm² (0.38 kgf / cm² CRME)
Engine	Model Type Rated output Starting method Fuel tank capacity	Yanmar 3TNV76 3 cylinder water cooled diesel 15.2 kW / 2500 rpm Electric Diesel / 40L
Electric Motor (Optional)	Type Size	Fully enclosed fan cooled motor 5.5 kW 4P 380V
Standard Equipment	Overwind protection, hydraulic safety valves, level, tilt alarm, EMO switch, travel lock lever, outrigger interlock system, moment limiter, working status lamp, hour-meter, 4-fall / 2-fall hook block, black rubber tracks, digital feedback remote control, data logger	
Optional Equipment	Radio remote control, white rubber tracks, single fall hook, 300kg searcher hook.	

Total rated load Outriggers at Maximum position

3.7m/5.945m boom		8.145m boom		10.315m boom		12.485m boom	
Working radius (m)	Total rated load (kg)	Working radius (m)	Total rated load (kg)	Working radius (m)	Total rated load (kg)	Working radius (m)	Total rated load (kg)
< 2.5	2980	2.7	2270	4	1080	< 4.5	790
3	2390	3	2120	4.5	985	5	660
3.5	1990	3.5	1680	5	880	6	520
4	1710	4	1440	6	770	7	430
4.5	1490	4.5	1260	7	670	8	380
5	1340	5	1110	8	570	9	340
5.62	1160	5.5	990	9	500	10	310
		6	880	9.99	435	11	280
		7	730			12.16	260
		7.82	630				

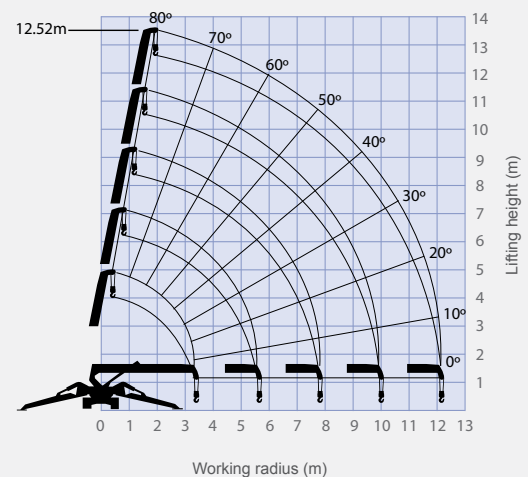
Total rated load Outriggers at Middle position

3.7m/5.945m boom		8.145m boom		10.315m boom		12.485m boom	
Working radius (m)	Total rated load (kg)	Working radius (m)	Total rated load (kg)	Working radius (m)	Total rated load (kg)	Working radius (m)	Total rated load (kg)
< 2.5	2980	2.7	2270	4	1060	< 4.5	780
3	2360	3	2090	4.5	950	5	650
3.5	1960	3.5	1680	5	860	6	500
4	1680	4	1420	6	750	7	410
4.5	1380	4.5	1240	7	630	8	360
5	1140	5	1070	8	490	9	320
5.62	950	5.5	950	9	410	10	290
		6	800	9.99	350	11	260
		7	610			12.16	250
		7.82	520				

Total rated load Outriggers at Minimum position

3.7m/5.945m boom		8.145m boom		10.315m boom		12.485m boom	
Working radius (m)	Total rated load (kg)	Working radius (m)	Total rated load (kg)	Working radius (m)	Total rated load (kg)	Working radius (m)	Total rated load (kg)
< 2.5	2980	2.7	2270	4	1060	< 4.5	780
3	2350	3	2090	4.5	950	5	650
3.5	1800	3.5	1680	5	860	6	500
4	1430	4	1370	6	680	7	410
4.5	1140	4.5	1120	7	530	8	360
5	950	5	910	8	420	9	320
5.62	790	5.5	790	9	340	10	290
		6	670	9.99	300	11	240
		7	510			12.16	210
		7.82	430				

Working Range Diagram

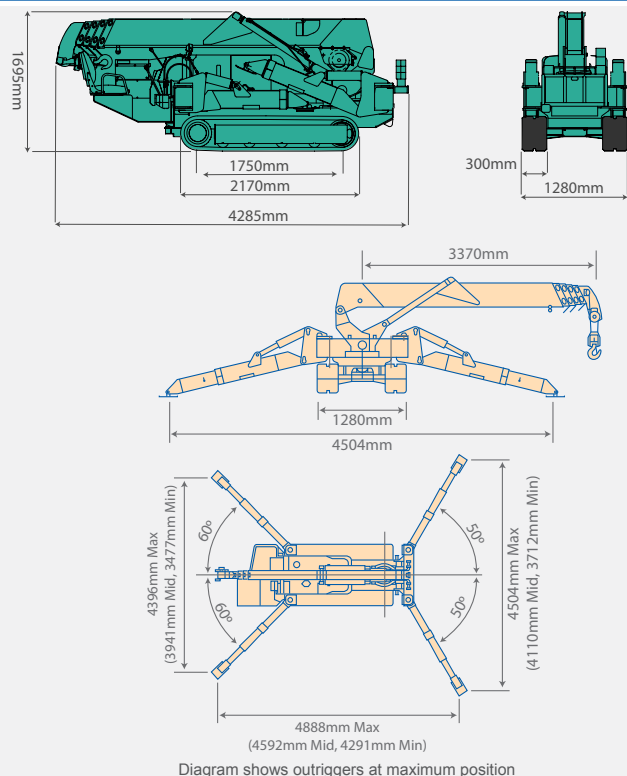


The Working Range Chart does not take into account boom deflection under load.

Maximum Reach Below Ground Level

Four Fall	Two Fall	Single Fall
16.09m	32.18m	64.36m

Dimensions





MC405 CRM(E) Mini Crane

The MC405 is the most powerful of the MC range of Mini Cranes with an outstanding 3.83 tons of lifting capacity. The optional fly jib increases the already impressive working range even further. This fantastic model also has a unique Pick and Carry feature of up to 500kg.

Features at a glance...

- 3.83Ton Max capacity
- 16.8m Max Working Height
- 20.7m With Optional Fly Jib
- 500kg Pick & Carry Duty
- Energy Saving System
- Sheaves Protected Inside Boom
- Variable (Hi/Lo) Travel Speeds
- Programmable Moment Limiter
- Hydrostatic Transmission
- Centralized Controls
- 4 Fall / 2 Fall Hook Block
- Automatic Hook Stowage System
- Tilt Alarm
- Powerful Two Speed Winch with Hydraulic Disc Brake
- Digital Feedback Remote Control
- Outrigger Interlock System
- Optional 500kg Searcher Hook
- Data Logger
- 2 Year Warranty

More Images...



Glazing



Timber Frame Work



Pick and Carry



Restricted Access



Uneven Ground

... consider the possibilities



Specifications

Capacity	Maximum	3.83 t x 2.7m
Working Radius	Maximum	16.0m x 210kg
Lifting Height	Maximum	16.8m x 1130kg (20.7m x 520kg with Fly-Jib)
Dimensions	MC405 CRM(E)	4980mm x 1380mm x 1980mm
Weight	MC405 CRM	5600kg
	MC405 CRME	5750kg
	Hook Block Weight	50kg
Hook Speed	Maximum	18m / min (4 falls, 4th layer)
Single Line Speed	Maximum	72m / min. (4th layer)
Hoist Rope	Type	IWRC 6 x WS (26) Ø 8mm x 92m
Telescopic System	Boom length	4.735m - 16.475m
	Telescoping speed	11.7m / 41.3 sec
	Boom type	Fully automatic 5 section pentagonal telescopic boom
Boom Hoist System	Hoist angle / speed	0° - 80° / 17 sec
Slew System	Slew angle / speed	360° continuous / 2.5 rpm
Outrigger System	Type	Extension and set-up by hydraulic cylinders.
	Maximum extended dimensions	(Length) 5786mm x (Front) 5118mm x (Rear) 5520mm
Traction System	Drive	Hydraulic motor driven, stepless speed changer
	Travel speed	0 - 3.3 km/h
	Gradability	20°
	Ground length x width Ground pressure	1720mm x 320mm (Track dimensions) 0.50 kgf / cm ² (0.52 kgf / cm ² CRME)
Engine	Model	Yanmar 3TNV88-BPMB
	Type	3 cylinder water cooled diesel
	Rated output	21.4 kW / 2400 rpm
	Starting method Fuel tank capacity	Electric Diesel / 60L
Electric Motor (Optional)	Type	Fully enclosed fan cooled motor
	Size	7.5 kW 4P 380V
Standard Equipment	Overwind protection, hydraulic safety valves, level, tilt alarm, EMO switch, travel lock lever, outrigger interlock system, moment limiter, working status lamp, hour-meter, 4-fall / 2-fall hook block, black rubber tracks, digital feedback remote control, data logger	
Optional Equipment	Radio remote control, white rubber tracks, single fall hook, 500kg searcher hook, fly-jib.	

Total rated load Outriggers at Maximum position

4.735m/7.695m boom		10.655m boom		13.565m boom		16.475m boom	
Working radius (m)	Total rated load (kg)	Working radius (m)	Total rated load (kg)	Working radius (m)	Total rated load (kg)	Working radius (m)	Total rated load (kg)
< 2.7	3830	3.5	3030	4	2230	5	1130
3.5	3030	4	2580	4.5	1930	5.5	980
4	2580	5	2030	5	1730	6	910
5	2030	6	1680	6	1400	7	760
6	1680	7	1380	7	1180	8	650
7	1380	8	1130	8	1030	9	600
7.25	1330	9	880	9	930	10	550
		10.2	580	10	830	11	490
				11	690	12	440
				12	530	13	380
				13.1	430	14	320
						15	260
						16	210

Total rated load Outriggers at Middle position

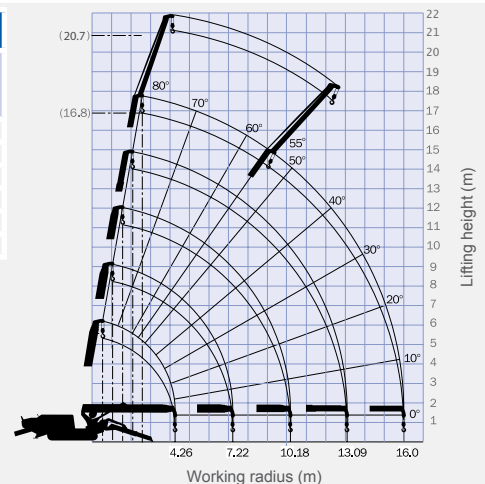
4.735m/7.695m boom		10.655m boom		13.565m boom		16.475m boom	
Working radius (m)	Total rated load (kg)	Working radius (m)	Total rated load (kg)	Working radius (m)	Total rated load (kg)	Working radius (m)	Total rated load (kg)
< 2.7	3830	3.5	3030	4	2230	5	1130
3.5	3030	4	2580	4.5	1830	5.5	980
4	2580	5	1880	5	1630	6	910
5	1880	6	1430	6	1330	7	730
6	1430	7	1130	7	1080	8	630
7	1160	8	880	8	880	9	550
7.25	1120	9	740	9	730	10	480
		10.2	490	10	530	11	430
				11	480	12	380
				12	430	13	330
				13.1	330	14	280
						15	220
						16	180

Total rated load Outriggers at Minimum position

4.735m/7.695m boom		10.655m boom		13.565m boom		16.475m boom	
Working radius (m)	Total rated load (kg)	Working radius (m)	Total rated load (kg)	Working radius (m)	Total rated load (kg)	Working radius (m)	Total rated load (kg)
< 2.7	3830	3.5	3030	4	2230	5	1130
3.5	3030	4	2580	4.5	1830	5.5	980
4	2580	5	1680	5	1630	6	880
5	1680	6	1180	6	1180	7	730
6	1180	7	880	7	830	8	530
7	930	8	730	8	680	9	450
7.25	780	9	580	9	550	10	420
		10.2	400	10	430	11	370
				11	380	12	330
				12	350	13	280
				13.1	310	14	240
						15	190
						16	150

Working Range Diagram & Fly Jib total rated load chart

Fly Jib	
Boom angle (deg)	kg
72+	520
69	420
66	320
63	250
60	220
55	170



The Working Range Chart does not take into account boom deflection under load.

Maximum Reach Below Ground Level

Four Fall	Two Fall	Single Fall
20.50m	41.00m	82.00m

Dimensions

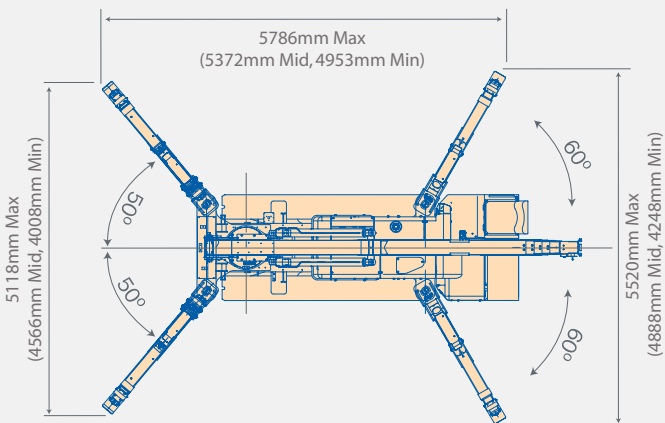
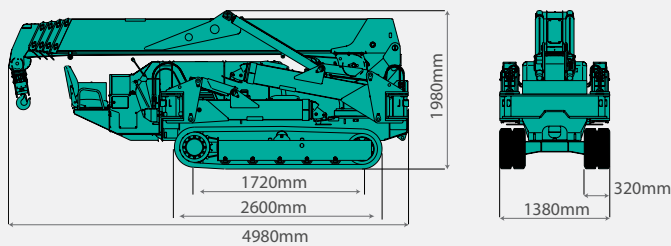


Diagram shows outriggers at maximum position



LC383B Crawler Crane

The LC383B is the newest addition to the Crawler Crane range with a 2.93t capacity. The LC383B has primarily been developed for use in areas such as city centres where space is restricted, due to the highly compact tracked footprint with no need for outriggers and near zero-tailswing.

The major feature of this crane is the 1465kg Pick & Carry capacity. Other features include an 8.7 metre four section telescopic boom, an open but covered superstructure mounted operators cab and a gross weight of 4400kg.



Features at a glance...

- 2.93 Ton Max Capacity
- 9.3m Max Working Height
- 1465kg Pick and Carry Duty
- Blade
- Programmable Moment Limiter
- Hydrostatic Transmission
- 4 Fall / 2 Fall Hook Block
- Tilt Alarm
- Powerful Winch with Hydraulic Disc Brake
- Minimal Tail Swing
- Optional 500kg searcher Hook
- Data Logger
- 2 Year Warranty

More Images...



... consider the possibilities



Specifications

Capacity	Maximum	2.93t x 1.5m
Working Radius	Maximum	8.38m x 200kg
Lifting Height	Maximum	9.3m x 1190kg
Dimensions	LC383B	4020mm x 1740mm x 2495mm
Weight	LC383B	4400kg
	Hook Block Weight	30kg
Hook Speed	Maximum	20.8m / min. (4 falls, 4th layer)
Single Line Speed	Maximum	83.2m / min. (4th layer)
Hoist Rope	Type	IWRC 6xWS (26) Ø 8mm x 73m
Telescopic System	Boom length	3.18 m - 8.71 m
	Telescoping speed	5.53 m / 14.3 sec
	Boom type	Fully automatic 4 section pentagonal telescopic boom
Boom Hoist System	Hoist angle / speed	0° to 80° / 12.2 sec
Slew System	Slew angle / speed	360° continuous / 2.6 rpm
Drive	Type	Independent steering controls, hydraulic piston motor with built in automatic brake, planet reduction gears, sprocket and crawler.
Traction speed	Low	2.9 km/h
	High	5.0 km/h
	Gradability	20°
	Ground length x width	1650mm x 300mm (Track dimensions)
Ground pressure		0.44 kgf / cm²
Engine	Model	Yanmar 3TNV88
	Type	4 cylinder diesel water cooled direct injection
	Rated output	21.5 kW / 2,400 rpm
	Starting method	Electric
	Fuel tank capacity	Diesel/42L
Standard Equipment	Overwind protection, steel tracks, hydraulic safety valve, level, travel lock lever, tilt alarm, EMO switch, moment limiter, working status lamp, data logger, blade with interlock system, 4-fall / 2-fall hook block	
Optional Equipment	Single fall hook, rubber pads (black or white), 500kg searcher hook.	

Total rated load

3.18m boom		5.03m boom		6.87m boom		8.71m boom	
Working radius (m)	Total rated load (kg)	Working radius (m)	Total rated load (kg)	Working radius (m)	Total rated load (kg)	Working radius (m)	Total rated load (kg)
1.5	2930	1.5	2930	1.5	1870	1.5	1190
2	1730	2	1710	2	1710	2	1190
2.5	1200	2.5	1190	2.5	1190	2.5	1190
2.85	980	2.85	980	2.85	980	2.85	980
		3	900	3	900	3	900
		3.5	720	3.5	720	3.5	720
		4	600	4	600	4	600
		4.5	500	4.5	500	4.5	500
		4.7	460	4.7	460	4.7	460
				5	430	5	430
				5.5	370	5.5	370
				6	330	6	330
						6.54	290
						7	260
						7.5	235
						8	215
						8.38	200

Pick & Carry Duties

3.18m boom		5.03m boom	
Working radius (m)	Total rated load (kg)	Working radius (m)	Total rated load (kg)
1.5	1465	1.5	1465
2	865	2	855
2.5	600	2.5	595
2.85	490	2.85	490
		3	450
		3.5	360
		4	300
		4.5	250
		4.7	230

Pick & Carry duties are available at boom lengths up to 5.03 metres.

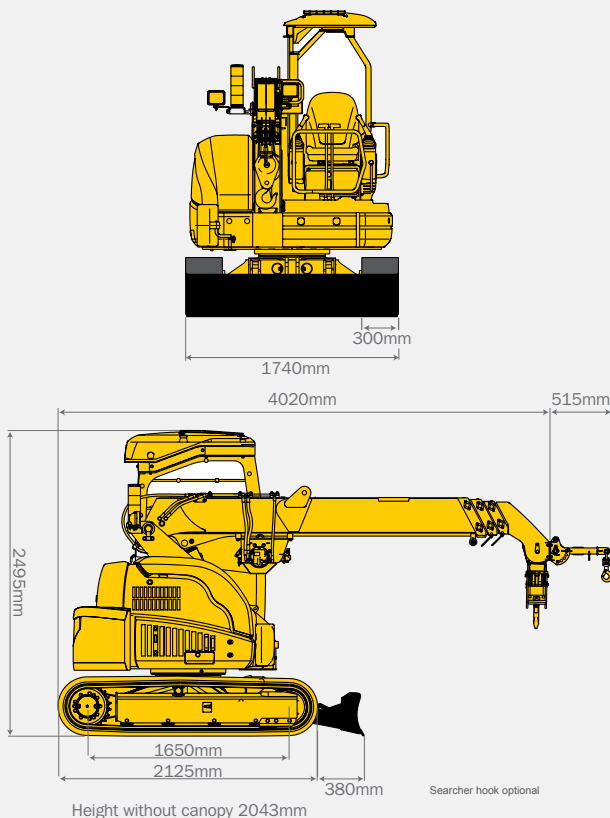
The Total Rated Load Charts are based on the actual working radius including boom deflection. The weight of the hook (standard 4 fall - 30kg) must be included as part of the load shown in the Total Rated Load Charts.

When using two fall or single fall hooks, use the appropriate four fall Total Rated Load Chart above but with a maximum load of: Two Fall - 1480kg, Single Fall - 750kg.

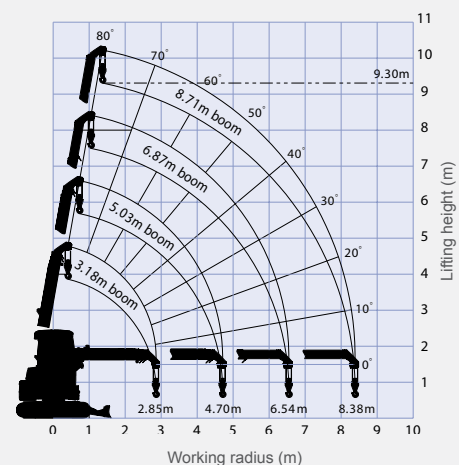
Maximum Reach Below Ground Level

Four Fall	Two Fall	Single Fall
15.5m	31.0m	62.0m

Dimensions



Working Range Diagram



The Working Range Chart does not take into account boom deflection under load.



LC785B Crawler Crane

The new Maeda LC785-8B crawler crane has many improved features, such as a new engine, a new wider cab and an improved moment limiter. The updated model has a faster winch, is even more comfortable and boasts many improved safety features. This popular model, with a minimal tail swing, is a class leader in safety on site.



More Images...



Features at a glance...

- 4.9 Ton Max capacity
- 16.35m Max Working Height
20.3m With Optional Fly Jib
- Blade
- 2000kg Pick & Carry Duty
- Minimal Tail Swing
- New, Wider Air Conditioned Cab
- Roof Window Wiper
- Tilt Alarm
- Variable (Hi/Lo) Travel Speeds
- New Improved Moment Limiter
- Hydrostatic Transmission
- 4 Fall / 2 Fall Hook Block
- 7 inch TFT Multi Monitor
- Powerful Two Speed Winch with Hydraulic Disc Brake
- Data Logger
- 2 Year Warranty



Railway Maintenance



Restricted Access



Industrial Maintenance



General Lifting



Glazing

... consider the possibilities



Specifications

Capacity	Maximum	4.9t x 2.1m
Working Radius	Maximum	14.52m x 200kg
Lifting Height	Maximum	16.35m x 1400kg (20.3m x 430kg with Fly-Jib)
Dimensions	LC785B	5020mm x 2360mm x 2795mm
Weight	LC785B	10250kg (10420kg with Fly-Jib)
	Hook Block Weight	90kg
Hook Speed	Two Speed	29/43m / min (4 falls, 4th layer)
Single Line Speed	Two Speed	116/172m / min (4th layer)
Hoist Rope	Type	IWRC 6 x Fi (29) Ø 10mm x 115m
Telescopic System	Boom length	4.63m - 15.63m
	Telescoping speed	11m / 25 sec.
	Boom type	Fully automatic 5 section pentagonal telescopic boom
Boom Hoist System	Hoist angle / speed	-2° to 80° / 13.5 sec.
Slew System	Slew angle / speed	360° continuous / 2.2 rpm
Drive	Type	Independent steering controls, hydraulic piston motor with built-in automatic brake, planet reduction gears, sprocket and crawler.
Traction Speed	Low	0 - 2.5km/h
	High	0 - 4.5km/h
	Gradability	20°
	Ground length x width	2235mm x 450mm (Track dimensions)
	Ground pressure	0.51 kgf / cm ² (0.52 kgf / cm ² with Fly-Jib)
Engine	Model	Komatsu SAA4D95LE-5
	Type	4 cylinder diesel, water cooled, direct injection
	Rated output	42.8 kW / 1950 rpm
	Starting method	Electric
	Fuel tank capacity	Diesel / 140L
Standard Equipment	Moment limiter, steel tracks, overwind protection, hydraulic safety valves, level, EMO switch, LED working status lamp, air conditioning, 4-fall / 2-fall hook block, working light, hour-meter, tilt alarm, data logger, blade with interlock system.	
Optional Equipment	Single fall hook block, rubber pads (black or white), fly-jib.	

Total rated load

4.63m boom		7.38m boom		10.13m boom		12.88m boom		15.63m boom	
Working radius (m)	Total rated load (kg)	Working radius (m)	Total rated load (kg)	Working radius (m)	Total rated load (kg)	Working radius (m)	Total rated load (kg)	Working radius (m)	Total rated load (kg)
2	4900	2	4900	2	2600	2	2000	2	
2.5	3800	2.5	3760	2.5	2600	2.5	2000	2.5	1400
3	2900	3	2980	3	2310	3	2000	3	1400
3.5	2290	3.5	2420	3.5	2010	3.5	1890	3.5	1400
		4	2000	4	1750	4	1650	4	1400
		4.5	1670	4.5	1530	4.5	1450	4.5	1320
		5	1400	5	1340	5	1280	5	1200
		6	1000	6	1030	6	1010	6	990
				7	780	7	800	7	820
				8	580	8	630	8	680
				9	410	9	500	9	560
						10	390	10	450
						11	300	11	360
								12	280
								13	210
								14	200
								14.52	200

Pick & Carry Duties

4.63m boom		7.38m boom		10.13m boom	
Working radius (m)	Total rated load (kg)	Working radius (m)	Total rated load (kg)	Working radius (m)	Total rated load (kg)
2	2000	2	2000	2	1400
2.5	2000	2.5	2000	2.5	1400
3	1670	3	1700	3	1360
3.5	1330	3.5	1380	3.5	1170
		4	1140	4	1020
		4.5	960	4.5	890
		5	810	5	770
		5.5	690	5.5	680
		6	590	6	590
		6.27	540	6.27	550
				6.5	510
				7	440
				7.5	380
				8	320
				8.5	270
				9	230
				9.02	230

Pick & Carry duties are available at boom lengths up to 10.13 metres.

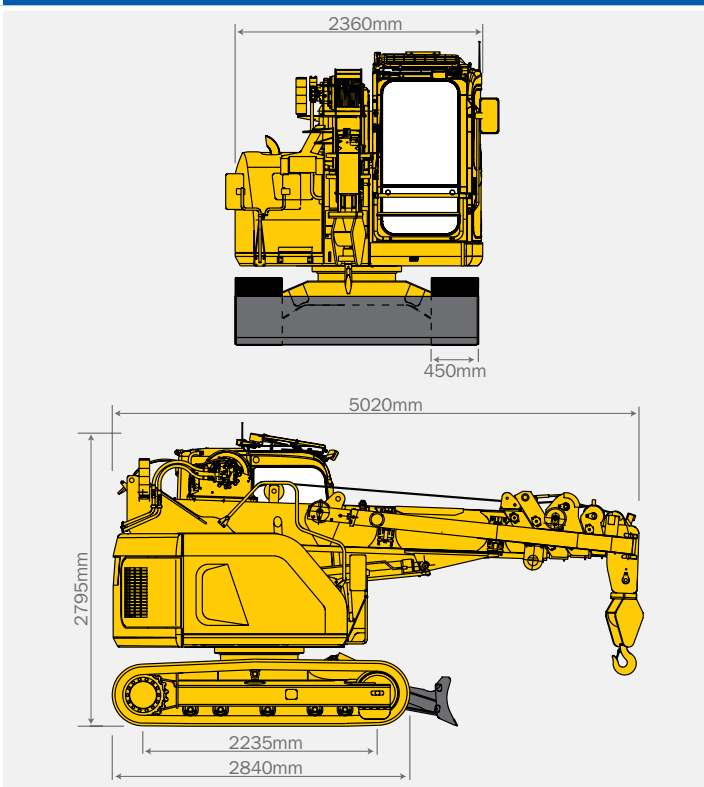
The Total Rated Load Charts are based on the actual working radius including boom deflection. The weight of the hook (standard 4 fall - 90kg) must be included as part of the load shown in the Total Rated Load Charts.

When using two fall or single fall hooks, use the appropriate four fall Total Rated Load Chart above but with a **maximum load** of: Two Fall - 2450kg, Single Fall - 1220kg.

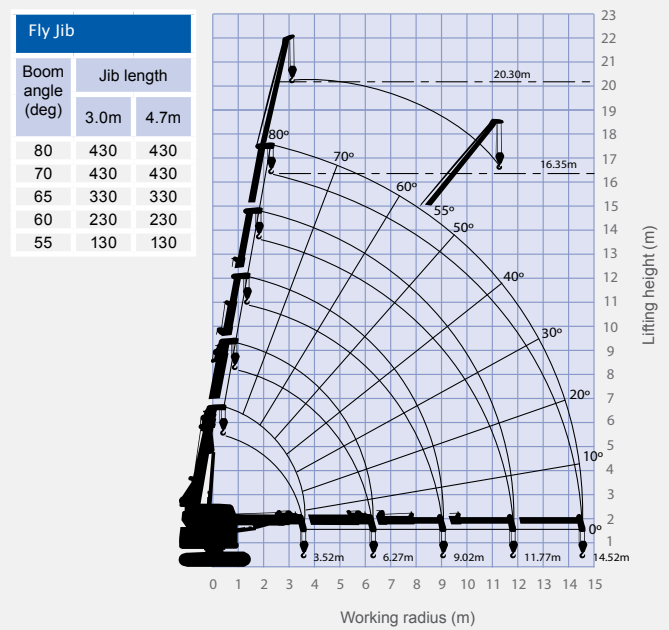
Maximum Reach Below Ground Level

Four Fall	Two Fall	Single Fall
25.6m	52.0m	104.0m

Dimensions



Working Range Diagram & Fly Jib total rated load chart



The Working Range Chart does not take into account boom deflection under load.



LC1385B Crawler Crane

The LC1385 is an innovative powerhouse. It boasts many market leading features including a massive 6 ton lifting capacity, 16.26m boom, optional fly jib with 0-60° offset, rear view camera and front blade as standard.



Features at a glance...

- 6 Ton Max capacity
- 16.70m Max Working Height
22m with Optional Fly Jib
- 2000kg Pick & Carry Duty
- Blade
- Programmable Moment Limiter
- Rear View Camera
- Variable (Hi/Low) Travel Speeds
- Hydrostatic Transmission
- Fully Enclosed Air Conditioned Cab
- 4 Fall / 2 Fall Hook Block
- Tilt Alarm
- 7 Inch TFT Multi Monitor
- Powerful Two Speed Winch with Hydraulic Disc Brake
- Roof Window Wiper
- Minimal Tail Swing
- Data Logger
- 2 Year Warranty

More Images...



... consider the possibilities



Specifications

Capacity	Maximum	6.0 t x 2.6m
Working Radius	Maximum	16.10m x 430kg
Lifting Height	Maximum	16.70m x 2600 kg (22m x 820kg with Fly-Jib)
Dimensions	LC1385B	6545mm x 2490mm x 2965mm
Weight	LC1385B	15640kg (15850kg with Fly-Jib)
	Hook Block Weight	90kg
Hook Speed	Two Speed	28/41m / min. (4 falls, 4th layer)
Single Line Speed	Two Speed	112/164m / min (4 layers)
Hoist Rope	Standard	IWRC 6xFi (29) Ø 10mm x 115m
Telescopic System	Boom length	4.745 m - 16.265 m
	Telescoping speed	11.52 m / 25 sec
	Boom type	Fully automatic 5 section pentagonal telescopic boom
Boom Hoist System	Hoist angle / speed	-5° to 80° / 18 sec
Slew System	Slew angle / speed	360° continuous / 3.4 rpm
Drive	Type	Independent steering controls, hydraulic piston motor with built in automatic brake, planet reduction gears, sprocket and crawler.
Traction speed	Low	2.9 km/h
	High	5.1 km/h
	Gradability	34°
	Ground length x width	2880mm x 500mm (Track dimensions)
	Ground pressure	0.54 kgf / cm ² 0.55 kgf / cm ² (With Fly-Jib)
Engine	Model	KOMATSU SAA4D95LE-5
	Type	4 cylinder diesel water cooled direct injection
	Rated output	68.4 kW / 2,200 rpm
	Starting method	Electric
	Fuel tank capacity	Diesel/195L
Standard Equipment	Moment limiter, steel tracks, overwind protection, hydraulic safety valves, level, EMO switch, LED working status lamp, working light, hour meter, tilt alarm, air conditioning, 4-fall / 2-fall hook block, blade with interlock system, rear view camera, data logger.	
Optional Equipment	Single fall hook, rubber pads (black), fly-jib.	

Total rated load

4.745m boom		7.625m boom		10.505m boom		13.385m boom		16.265m boom	
Working radius (m)	Total rated load (kg)	Working radius (m)	Total rated load (kg)	Working radius (m)	Total rated load (kg)	Working radius (m)	Total rated load (kg)	Working radius (m)	Total rated load (kg)
2	6000	2	6000	2	3000	2	N/A	2	N/A
2.5	6000	2.5	6000	2.5	3000	2.5	3000	2.5	N/A
3	5250	3	5260	3	3000	3	3000	3	2600
3.5	4450	3.5	4460	3.5	3000	3.5	3000	3.5	2600
4	3830	4	3820	4	3000	4	3000	4	2600
4.5	3320	4.5	3310	4.5	3000	4.5	3000	4.5	2600
		5	2880	5	2710	5	2640	5	2600
		6	2210	6	2140	6	2100	6	2080
		7	1720	7	1720	7	1710	7	1710
				8	1400	8	1430	8	1430
				9	1150	9	1200	9	1210
				10	940	10	1020	10	1040
						11	880	11	890
						12	750	12	770
						13	650	13	670
								14	580
								15	500
								16	440
								16.1	430

Pick & Carry Duties

4.745m boom		7.625m boom		10.505m boom	
Working radius (m)	Total rated load (kg)	Working radius (m)	Total rated load (kg)	Working radius (m)	Total rated load (kg)
2	2000	2	2000	2	1500
2.5	2000	2.5	2000	2.5	1500
3	2000	3	2000	3	1500
3.5	2000	3.5	2000	3.5	1500
4	1915	4	1910	4	1500
4.5	1660	4.5	1655	4.5	1500
		5	1440	5	1355
		5.5	1260	5.5	1200
		6	1105	6	1070
		7	860	7	860
				7.5	775
				8	700
				8.5	635
				9	575
				10	470

Pick & Carry duties are available at boom lengths up to 10.505 metres.

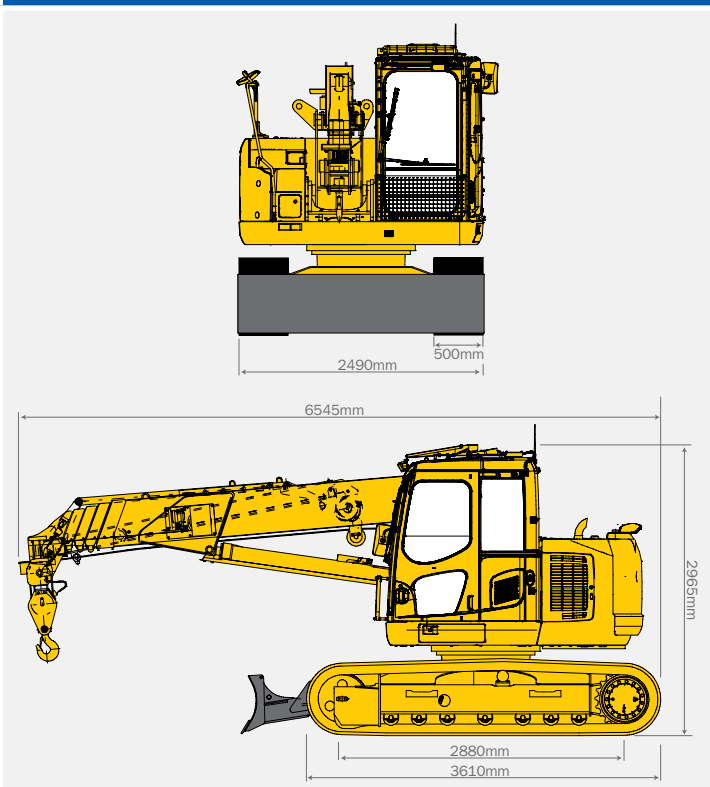
The Total Rated Load Charts are based on the actual working radius including boom deflection. The weight of the hook (standard 4 fall - 90kg) must be included as part of the load shown in the Total Rated Load Charts.

When using two fall or single fall hooks, use the appropriate four fall Total Rated Load Chart above but with a maximum load of: Two Fall - 3000kg, Single Fall - 1500kg.

Maximum Reach Below Ground Level

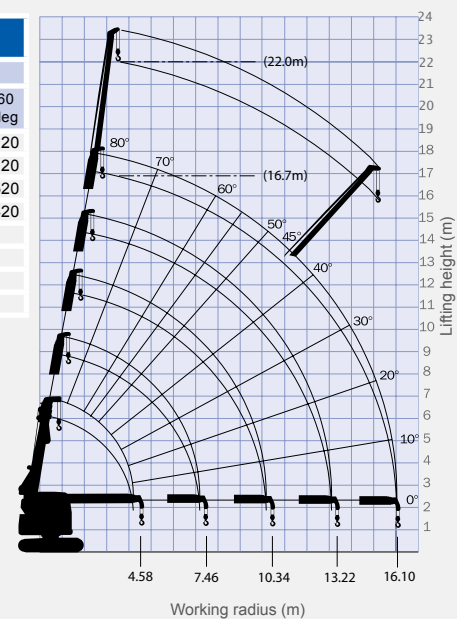
Four Fall	Two Fall	Single Fall
24.50m	50.50m	103.50m

Dimensions



Working Range Diagram & Fly Jib total rated load chart

Boom angle (deg)	Jib tilt angle			
	0 deg	20 deg	40 deg	60 deg
80	820	820	620	620
75	820	820	620	620
70	720	720	520	520
65	620	620	420	420
60	520	520		
55	420	420		
50	320	320		
45	220	220		



The Working Range Chart does not take into account boom deflection under load.



... consider the possibilities





| MC104 | MC174 | MC285-2 | MC305-2 | MC405 | LC383 | LC785 | LC1385 |

Authorised Maeda Distributor

English

www.maedacrane.com