

Hiab XS 211

Range 19–21 tm



Hiab XS 211 Basic data

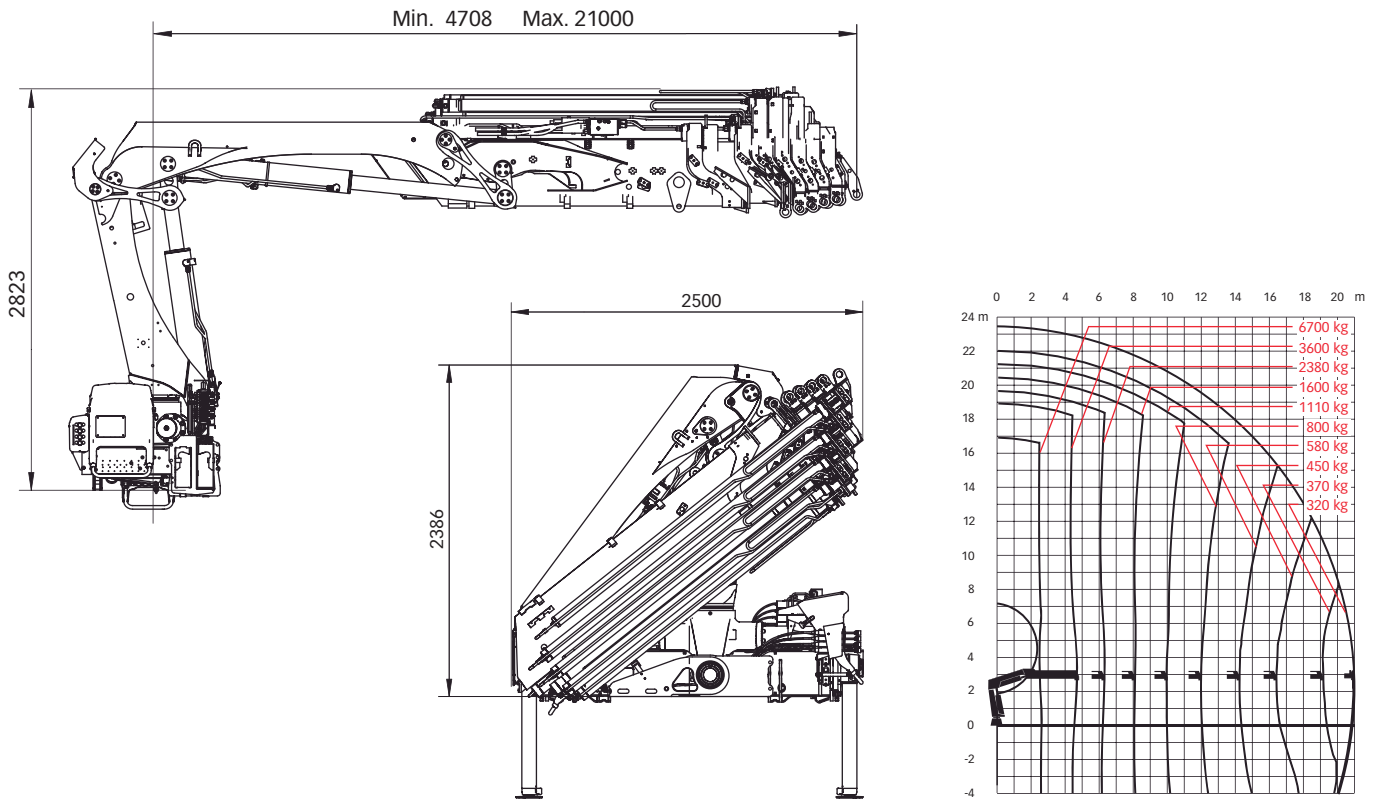
| Technical data | EP-5 Duo | EP-5 HiDuo | E-6 HiDuo |
|---|-------------|-------------|-------------|
| Max. lifting capacity (kNm) | 172 | 183 | 180 |
| Outreach, hydraulic extensions (m) | 15.1 | 15.1 | 16.6 |
| Outreach / lifting capacity (m / kg) | 2.7 / 6500 | 2.7 / 6900 | 2.5 / 7100 |
| | 4.7 / 3750 | 4.7 / 3950 | 4.5 / 4050 |
| | 6.5 / 2520 | 6.5 / 2700 | 6.1 / 2800 |
| | 8.4 / 1840 | 8.4 / 1980 | 8.0 / 1980 |
| | 10.5 / 1400 | 10.5 / 1500 | 9.9 / 1500 |
| | 12.7 / 1120 | 12.7 / 1200 | 12.0 / 1180 |
| | 15.0 / 940 | 15.0 / 1020 | 14.2 / 960 |
| | - | - | 16.5 / 820 |
| Slewing angle (°) | 190 - 410 | 190 - 410 | 190 - 410 |
| Height in folded position (mm) | 2385 | 2385 | 2385 |
| Width in folded position (mm) | 2500 | 2500 | 2500 |
| Installation space needed (mm) | 1162 | 1162 | 1192 |
| Weight, "standard" crane without stabilizers (kg) | 2690 | 2700 | 2840 |
| Weight, stabilizer equipment (kg) | 334 - 422 | 334 - 422 | 334 - 422 |

| Technical data | EP-4 HiPro | EP-5 HiPro | EH-6 HiPro | E-6 HiPro* | E-8 HiPro |
|---|-------------|-------------|-------------|-------------|-------------|
| Max. lifting capacity (kNm) | 193 | 189 | 177 | 173 | 158 |
| Outreach, hydraulic extensions (m) | 12.7 | 15.1 | 16.2 | 24.7 | 21.0 |
| Outreach / lifting capacity (m / kg) | 2.5 / 7400 | 2.7 / 7100 | 2.4 / 7500 | 2.4 / 7500 | 2.6 / 6700 |
| | 4.6 / 4300 | 4.7 / 4100 | 4.5 / 4000 | 4.5 / 4000 | 4.7 / 3600 |
| | 6.4 / 2960 | 6.5 / 2800 | 6.1 / 2680 | 6.1 / 2680 | 6.3 / 2380 |
| | 8.3 / 2200 | 8.4 / 2060 | 7.9 / 1880 | 7.9 / 1880 | 8.1 / 1600 |
| | 10.4 / 1700 | 10.5 / 1580 | 9.8 / 1380 | 9.8 / 1380 | 10.0 / 1100 |
| | 12.6 / 1400 | 12.7 / 1260 | 11.8 / 1060 | 11.8 / 1060 | 12.0 / 800 |
| | - | 15.0 / 1060 | 13.9 / 860 | 13.9 / 860 | 14.1 / 580 |
| | - | - | 16.1 / 720 | 16.1 / 720 | 16.3 / 450 |
| | - | - | - | - | 18.6 / 370 |
| | - | - | - | - | 20.9 / 320 |
| Outreach / lifting capacity, with jib (m / kg) | - | - | 19.1 / 140 | 19.1 / 140 | - |
| | - | - | 20.8 / 110 | 20.8 / 110 | - |
| | - | - | 22.7 / 90 | 22.7 / 90 | - |
| | - | - | 24.6 / 80 | 24.6 / 80 | - |
| Slewing angle (°) | 190 - 410 | 190 - 410 | 190 - 410 | 410 | 410 |
| Height in folded position (mm) | 2385 | 2385 | 2385 | 2666 | 2385 |
| Width in folded position (mm) | 2500 | 2500 | 2500 | 2500 | 2500 |
| Installation space needed (mm) | 1162 | 1162 | 1240 | 1240 | 1247 |
| Weight, "standard" crane without stabilizers (kg) | 2630 | 2760 | 3230 | 3380** | 3520 |
| Weight, stabilizer equipment (kg) | 334 - 422 | 334 - 422 | 334 - 422 | 334 - 422 | 334 - 422 |
| Weight, jib (kg) | - | - | - | 450 | - |

* All XS 211 ordered with a jib are equipped with an extra sturdy outer boom system.

** Jib 45X-3 excluded.

Hiab XS 211 E-8 HiPro



Hiab XS 211 E-6 HiPro jib 45X-3

