

To learn more about this model, call 414-764-9200 or visit [giuffre.com](http://giuffre.com) today!

**Manitex**



**TC300**

**30-Ton (27,2 mt) TELESCOPIC CRANE**  
**TC300 SERIES PRODUCT GUIDE**



AVAILABLE AT:

**GIUFFRE.COM**

**GIUFFRE BROS CRANES INC.**

6635 SOUTH 13TH ST. - MILWAUKEE, WI 53221  
414-764-9200 • 877-321-3710

To learn more about this model, call 414-764-9200 or visit [giuffre.com](http://giuffre.com) today!

TC300 SERIES TELESCOPIC CRANE

# CONTENTS

Crane Features .....	4
Chassis Data .....	5
Outrigger Extension.....	6
Sub Frame .....	6
Electrical System.....	6
Intermediate Spread .....	7
Fully Retracted Spread .....	7
30112S Load Chart: Main Boom .....	8
30112S Boom Diagram .....	9
Area of Operation .....	10
Reeving Diagram.....	11
LMI Codes .....	12
Warning, Information & Definitions .....	13
Technical Descriptions .....	14
Options .....	15

Effective Date: September 1, 2013

This document is non-contractual. This document is supplied for reference use only. We are constantly making improvements to our products and reserve the right that specification, equipment, and prices are all subject to change without notice or obligation.

The photographs, and /or images in this document are for illustrative purposes only and may include optional equipment and accessories and may not include all standard equipment.

Refer to the appropriate Operator's Manual and Load Charts for instructions on the proper use of this equipment to determine allowable crane lifting capacities, assembly and operating procedures.

Failure to follow the appropriate operator's manual or load chart(s) when using our equipment or to otherwise act irresponsibly may result in serious injury or death.

The only warranty applicable to our equipment is the standard written warranty applicable to the particular product and sale. Manitex makes no other warranty, expressed or implied.

Products and services listed may be trademarks, service marks or trade-names of Manitex International and /or its subsidiaries in the USA and other countries.

All rights are reserved. Manitex® is a registered trademark of Manitex International, Inc. in the USA and many other countries.

Copyright 2013 Manitex Inc. Manitex Inc, Georgetown Texas, 78626



AVAILABLE AT:






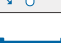
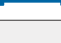










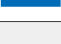
# GIUFFRE.COM

















## GIUFFRE BROS CRANES INC.

6635 SOUTH 13TH ST. - MILWAUKEE, WI 53221

414-764-9200 • 877-321-3710

## KEY

	Operator aids
	Cab
	Heating / Air conditioning
	Controls
	Hoist speed
	1 - Main hoist 2 - Auxiliary winch 3 - Recovery winch
	Rope length
	Rope - standard/optional
	Rope diameter
	Permissible line pull
	Maximum line pull
	Slewing / Allowable slewing range
	Slewing gears
	Slewing brake
	Outriggers / Lifting on outriggers
	2-Person man basket
	Counterweight
	Radio remote control

	Hook block
	Distance from hook to head sheave pin
	Hook and ball
	Hydraulics
	Boom elevation angle
	Max. boom length with extension
	Boom with extension retracted
	Boom angle
	Telescoping mode
	Working radius
	Boom length
	Hydraulic actuated boom
	Full power mechanical synchronized
	Boom head / Hook block dimension
	Main boom with auxiliary head
	Tip height

To learn more about this model, call 414-764-9200 or visit [giuffre.com](http://giuffre.com) today!

**TC300 SERIES** TELESCOPIC CRANE



## THE TC300 SERIES TELESCOPIC CRANES

**Versatile. Affordable. User friendly.**

The TC300 series telescopic cranes are built to meet the wide-ranging needs of owner operators who may use it for residential construction one day and bridge work the next. No matter what the task, the 30-ton line of telescopic crane is designed to get you to the job and on the job quickly.

With it, you can:

- Travel to and between job sites at highway speed on a commercial chassis
- Set up quickly with radio outrigger controls
- Operate comfortably and confidently in its tiltable cab

### Other features include:

- 30-ton capacity @ 5 ft. radius
- 3, 4-section proportional boom
- Optional telescopic jib
- 122' (37,2m) maximum boom tip height
- Optional Basic Cab
- Out-and-down outriggers

### OUT & DOWN OUTRIGGER

Four Out & Down Outriggers with Audible Outrigger Motion Alarm sounds as outriggers are being deployed and indicator lights verify when they are fully extended.



Operator cab tilts from 0° to 20° for a comfortable, clear view of the load.

### TWO-SPEED PLANETARY HOIST

Increase productivity and minimize downtime. The two-speed planetary hoist lets you change line speed on the fly and minimize rope stacking.

### LOAD MOMENT INDICATOR

The Load-moment indicator sounds a warning or shuts down the machine when lift limitations are about to be exceeded.

### INCREASE PROFITABILITY

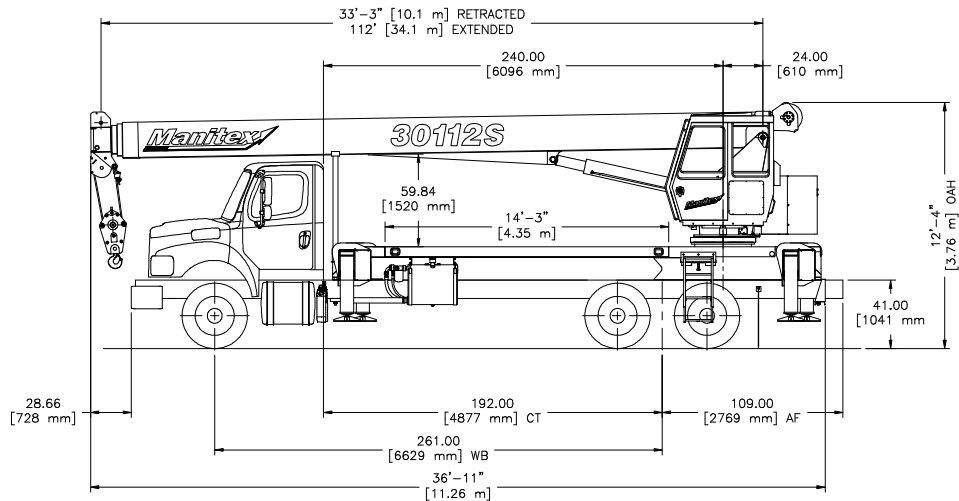
The versatile TC300 series is designed to help both owners and operators make the most of their investment.

- Travel to and between jobs at highway speed.
- Minimize maintenance costs with replaceable, self-lubricating boom slider pads and sealed, multi-disc wet brakes on the hoist and swing system.
- Minimize repair costs with its front stabilizer and first-up auto retract feature that prevents drive-away damage.

Data published herein is intended as a guide only. Crane operation is subject to machine specific load charts and information.



## TC300 SERIES CHASSIS DATA



### CHASSIS DATA

S Models	30112S Single Axle
Wheel Base (WB)	261 in. (6,629 mm)
Cab to Tandem (CT)	192 in. (4,877 mm)
Frame section modulus at 180° area of operation*	22.0 in <sup>3</sup> , 110,000 psi, 758,422 kPa
Cab to End of Frame (EOF)	301 in. (7,646 mm)
Nominal Frame Width	34 in. (864 mm)

\* Frame section modulus at 360° area of operation requires front bumper stabilizer.

### TRUCK AXLE WEIGHTS

S Models	30112S Single Axle
Front axle (GW)	20,000 lb. (9,790 kg)
Rear axle	40,000 lb. (19,580 kg)
Min. truck axle W - Front**	8,300 lb. (3,765 kg)
Min. truck axle W - Rear**	8,500 lb. (3,856 kg)

\*\* Minimum chassis weight is required to meet 85% stability requirements. Chassis data is general - not for engineering. Some dimensions depend on truck selection.

### CRANE WEIGHTS

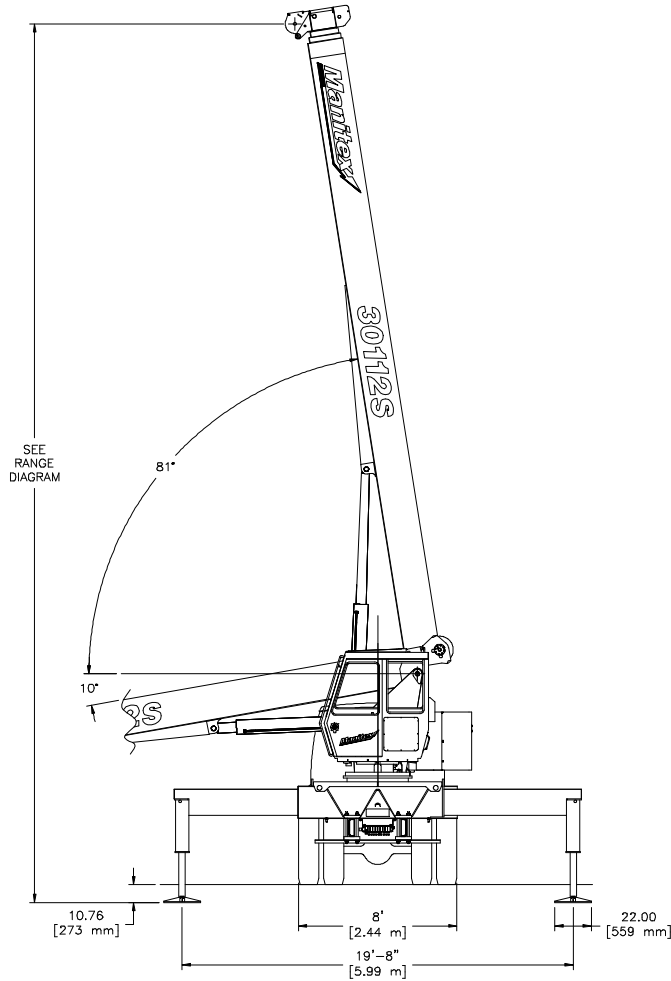
Model	30112S
Crane without cab	27,096 lb. (12,290 kg)
Cab	575 lb. (261 kg)
Flatbed 13 ft.	1,200 lb. (544 kg)
Tele Fixed	1220 lb. (553 kg)

Data published herein is intended as a guide only. Crane operation is subject to machine specific load charts and information.

TC300 SERIES TELESCOPIC CRANE

## OUTRIGGER EXTENSION

Full Extension



### SUB FRAME

- Pedestal sub-frame and stabilizers are mounted to chassis by threaded rods and clamp plates
- Sub-frame: Torsion resistant, rigid 4-plate design mounted under crane full length of truck frame
- Rear under-ride protection: Standard on factory mounted cranes

### ELECTRICAL SYSTEM

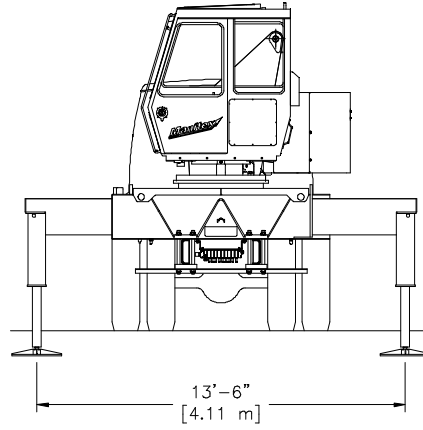
- State-of-the-art, weather-resistant components throughout
- Hermetically sealed enclosure includes power in relays and circuit status LEDs

Data published herein is intended as a guide only. Crane operation is subject to machine specific load charts and information.

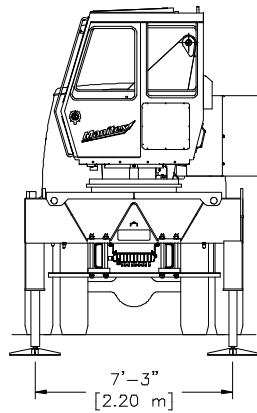


To learn more about this model, call 414-764-9200 or visit [giuffre.com](http://giuffre.com) today!

## Intermediate Spread



## Fully Retracted Spread



Data published herein is intended as a guide only. Crane operation is subject to machine specific load charts and information.






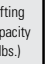



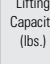



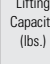

TC300 SERIES TELESCOPIC CRANE

# 30112S LOAD CHART: Main Boom & Jib

Lifting Capacities 4 section Boom 112 ft.

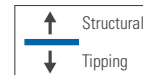
 19' 8" (5.99 m)

LMI Tandem Axle Load Chart  
Full Outrigger Extension

MAIN BOOM RATED LOADS										JIB LOAD CAPACITIES							
Load radius ∠°	LMI CODE 1										Load radius ∠°	LMI CODE 2		LMI CODE 3		LMI CODE 4	
	33.25 ft.		55 ft. (A)		74 ft. (B)		93 ft. (C)		112 ft. (D)			26 ft. Fixed Jib		26 ft. Tele. Jib		46 ft. Tele. Jib	
	 Lifting Capacity (lbs.)	 Lifting Capacity (lbs.)	 Lifting Capacity (lbs.)	 Lifting Capacity (lbs.)	 Lifting Capacity (lbs.)	 Lifting Capacity (lbs.)	 Lifting Capacity (lbs.)	 Lifting Capacity (lbs.)	 Lifting Capacity (lbs.)	 Lifting Capacity (lbs.)		 Lifting Capacity (lbs.)	 Lifting Capacity (lbs.)	 Lifting Capacity (lbs.)	 Lifting Capacity (lbs.)	 Lifting Capacity (lbs.)	
5	80	60,000									5						
8	75	43,830									8						
10	71.5	37,330	79.5	25,000							10						
12	68	32,640	77.5	25,000							12						
15	62	27,600	74.5	24,610	79.5	22,120					15						
20	51.5	21,850	69	19,320	75.5	18,080	79.5	13,300			20						
25	38.5	16,630	63	15,930	71.5	14,750	76.5	11,900	79.5	8,000	25						
30	18.5	12,710	57	13,250	67.5	12,440	73.5	10,550	77	8,000	30	80	4,500	80	4,300		
35			50	10,540	63	10,720	70	9,330	74.5	7,290	35	78	4,500	78	4,300	79.5	2,700
40			42.5	8,350	58.5	8,570	67	8,500	72	6,600	40	76.5	4,500	76.5	4,300	78	2,700
45			33.5	6,630	53.5	6,850	63	6,960	69.5	5,970	45	74.5	4,300	74.5	4,030	76.5	2,700
50			21.5	5,330	48	5,560	59.5	5,670	66.5	5,390	50	72.5	4,000	72.5	3,720	75	2,700
55					42.5	4,550	55.5	4,660	63.5	4,730	55	70.5	3,700	70.5	3,420	73.5	2,700
60					36	3,740	51.5	3,860	60.5	3,920	60	68	3,420	68	3,140	72	2,700
65					27.5	3,070	47	3,190	57	3,260	65	66	3,130	66	2,800	70	2,580
70					16	2,510	42.5	2,640	54	2,710	70	63.5	2,790	63.5	2,440	68	2,390
75							37	2,170	50.5	2,240	75	61	2,350	61	2,050	66.5	2,220
80							31	1,770	46.5	1,840	80	58	1,940	58	1,650	64.5	2,020
85							23.5	1,410	42.5	1,490	85	55.5	1,590	55.5	1,300	62	1,770
90							11	1,100	38.5	1,180	90	52.5	1,290	52.5	990	59.5	1,460
95									33.5	910	95	49.5	1,020	49.5	720	57	1,190
100									28	670	100	46.5	780	46.5	480	54.5	940
105											105					52	730
110											110					49.5	530
		510 lbs.		310 lbs.		230 lbs.		190 lbs.		160 lbs.	DEDUCTIONS FOR STOWED FIXED JIB						
		770 lbs.		470 lbs.		350 lbs.		280 lbs.		230 lbs.	DEDUCTIONS FOR STOWED TELESCOPIC JIB						

**NOTES:**

- Loads based on crane on outriggers
- All "on outriggers" loads are based on 85% tipping
- Loads above heavy line are based on structural rating
- Loads below heavy line are based on tipping rating



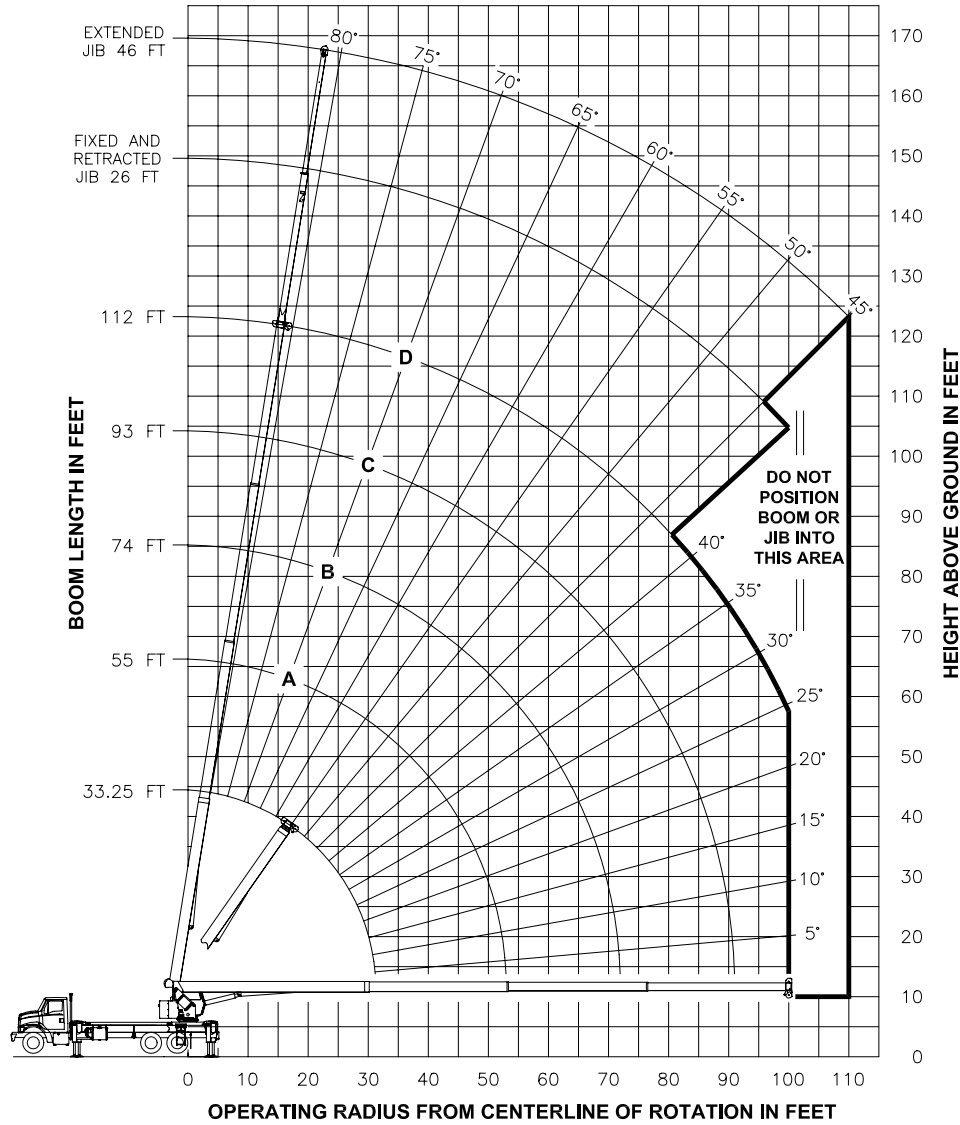
Data published herein is intended as a guide only. Crane operation is subject to machine specific load charts and information.





# 30112S BOOM DIAGRAM

**RANGE DIAGRAM  
- FULLY EXTENDED OUTRIGGER CONFIGURATION -**



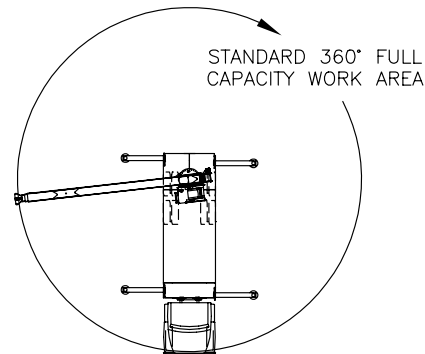
Data published herein is intended as a guide only. Crane operation is subject to machine specific load charts and information.

TC300 SERIES TELESCOPIC CRANE

## AREA OF OPERATION

In order to take advantage of full 360° rotation, the front bumper stabilizer must be set in accordance to the manual before working in this area and machine must be level.

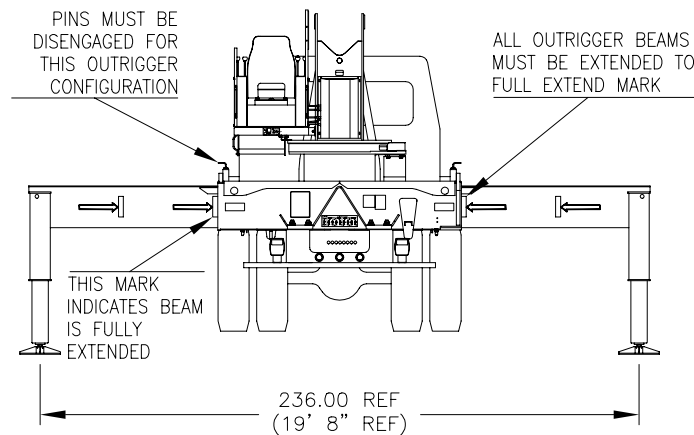
If a front bumper stabilizer was not supplied, then the front tires must be in contact with the ground before working in this area.



### Deductions from rated loads for load handling devices supplied by Manitex

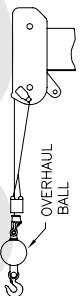

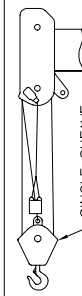
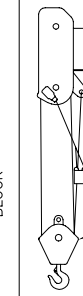
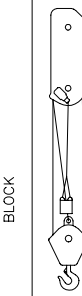
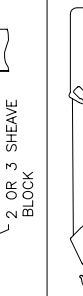

Auxiliary block	50 lbs. (22.7 kg)
Overhaul ball	See overhaul ball mfg. nameplate
Load blocks	See load block mfg. nameplate
Hose reel	140 lbs.
Swing around jib (stowed)	See load chart

**WARNING:** Lifting off the main boom point while the jib is erected is not intended nor approved.



Data published herein is intended as a guide only. Crane operation is subject to machine specific load charts and information.

## REEVING DIAGRAM

ALLOWABLE LINE PULL							<b>WARNING</b>  ANTI-TWO-BLOCK SYSTEM MUST BE IN GOOD OPERATING CONDITION BEFORE OPERATING CRANE.  REFER TO THE OWNER'S MANUAL.  KEEP AT LEAST 3 WRAPS OF LOAD LINE ON THE DRUM AT ALL TIMES.
1 PART LINE	2 PART LINE	3 PART LINE	4 PART LINE	5 PART LINE	6 PART LINE	7 PART LINE	
							
8500 LBS	17000 LBS	25500 LBS	34000 LBS	42500 LBS	51000 LBS	60000 LBS	
7700 LBS	15400 LBS	23100 LBS	30800 LBS	38500 LBS	46200 LBS	53900 LBS	
							9/16" 6X25 IWRC (3.5:1 SF) - 30000 LBS MIN BREAKING STRENGTH  9/16" ROT RESISTANT (5.0:1 SF) - 38500 LBS MIN BREAKING STRENGTH

Data published herein is intended as a guide only. Crane operation is subject to machine specific load charts and information.

To learn more about this model, call 414-764-9200 or visit [giuffre.com](http://giuffre.com) today!

**TC300 SERIES TELESCOPIC CRANE**

**LMI OPERATING CODES** //

Code	Crane Configuration	Outrigger Configuration
#1	Main Boom	Fully Extended
#2	Fixed Jib	Fully Extended
#3	Telescopic Jib-Retracted	Fully Extended
#4	Telescopic Jib-Retracted	Fully Extended
#5	Personnel Lifting Platform on Main Boom	Fully Extended
#6	Personnel Lifting Platform on Fixed Jib	Fully Extended
#7	Personnel Lifting Platform on Telescopic Jib-Retracted	Fully Extended
#8	Personnel Lifting Platform on Telescopic Jib-Extended	Fully Extended
#9	Main Boom	Intermediate
#10	Fixed Jib	Intermediate
#11	Telescopic Jib-Retracted	Intermediate
#12	Telescopic Jib-Retracted	Intermediate
#13	Main Boom	Fully Retracted

Data published herein is intended as a guide only. Crane operation is subject to machine specific load charts and information.



AVAILABLE AT:

**GIUFFRE.COM**

**GIUFFRE BROS CRANES INC.**

6635 SOUTH 13TH ST. - MILWAUKEE, WI 53221  
414-764-9200 • 877-321-3710

## Warning

---

1. The operator must read and understand the owner's manual before operating the crane.
2. Positioning or operation of crane beyond areas shown on these charts is not intended or approved except where specified in owner's manual.
3. Loaded boom angles at specified boom lengths give only an approximation of the operating radius. The boom angle before loading should be greater to account for deflections. Do not exceed the operating radius for rated loads.
4. The operating radius shown in the jib rating chart is for fully extended boom only. When boom is not fully extended, use only loaded boom angle to determine load rating of jib.
5. For boom angles not shown on jib load rating chart, use rating of next lower boom angle.
6. For boom lengths not shown, use rating of next shorter or longer boom length, whichever is less. For radii not shown, use rating of next longer radius.
7. Crane load ratings on outriggers are based on freely suspended loads with the machine leveled and standing on a firm uniform supporting surface. No attempt shall be made to move a load horizontally on the ground in any direction.
8. Practical working loads depend on supporting surface, wind, and other factors affecting stability such as hazardous surroundings, experience of personnel, and proper handling, all of which must be taken into account by the operator.
9. The maximum load which may be telescoped is limited by hydraulic pressure, boom angle, and boom lubrication. It is safe to attempt to telescope any load within the limits of the load rating chart. Boom must be fully retracted against boom stops at all times when lifting minimum boom length capacity loads.
10. Lifting off the main boom point while the swing around jib is erected is not intended or approved.

## Information

---

1. Deductions must be made from rated loads for stowed jib, optional attachments, hooks, and load blocks (See deduction chart on page 8). Weights of slings and all other load handling devices shall be considered a part of the load.
2. Load ratings above the blue line are structurally limited capacities. Load ratings below the blue line are stability limited capacities and do not exceed 85% of tipping.

## Definitions

---

1. Operating radius is the horizontal distance from the axis of rotation to the center of the vertical hoist line or tackle with load applied.
2. Loaded boom angle as shown in the column head by  $\angle$  is the included angle between the horizontal and longitudinal axes of the boom base after lifting rated load at rated radius.

Data published herein is intended as a guide only. Crane operation is subject to machine specific load charts and information.

TC300 SERIES TELESCOPIC CRANE

## TECHNICAL DESCRIPTIONS

### Boom



Boom lengths: Proportional boom

- 4-section 112 ft. (34,1 m)
- 5-Sheave quick reeve boom point

Self lubricating slider pads



Max. tip height 30112S: 122 ft. (37.2 m)



Boom angle (min/max): -6° / 80°

### Rotation



Ball-bearing swing circle with external gear  
Double-reduction planetary gearbox driven by hydraulic motor



Slewing brake: Spring-applied pressure released automatic brake



Slewing speed: 1.5 - 2 rpm. (nominal)  
Boom rotation: 360° continuous

### Outriggers



Outriggers: Out-and-down style  
FBS - Front Bumper Stabilizer (optional)  
Outrigger monitoring system (for verification only)  
Outrigger motion alarm

Full extension

- Center to center: 19' 5" (5.91 m)

Full retraction

- Center to center: 7' 3" (2.20 m)

### Operator aids



30112s is Radio anti-two block system. LMI with crane function cut-offs for overload protection.

### Hoist, Rope and Hook



Maximum theoretical line speed:  
300 fpm (91 mpm)



Maximum theoretical bottom-layer line pull:  
11,500 lb (5,216 kg)



Main winch cable diameter: 9/16" (14,3 mm).  
6 x 25 EIPS IWRC Wire Rope



Line length: 335 ft. (102,2m)



Main winch: Bent axis 2-speed hydraulic motor (activated electrically)



Overhaul ball: 7T (6,4 mt) capacity hook with heavy-duty swivel and weight is provided for single line operation.

### Hydraulics



8-bolt direct mounted PTO and SAEB or SAE BB output (factory mounted units only)  
3 -section gear pump, Counter Clockwise Standard, SAE BB input (standard).  
Hydraulic reservoir capacity:  
70 gal. (265 L)  
Pump sections @ 2000 rpm with 100 psi

- 32.4 GPM (123 LPM)
- 20.6 GPM (78 LPM)
- 10 GPM (38 LPM)

### Ride Around Operator Station Controls










Standard features:  
Ride-around Operator Station with Seat.



Controls:  
Dual Function Controller-Single Axis Joy Sticks.

## OPTIONS

<h3>Boom</h3>	<h3>Hydraulics</h3>
<p>Max. Tip Height</p> <p> 30112S</p> <ul style="list-style-type: none"> <li>• Max. tip height: 122' (37.2 m)</li> </ul>	<p> Hose reel – boom mounted. Front Bumper Stabilizer (FBS) Hydraulic oil cooler</p>
<p>Jibs</p> <p>30112S</p> <ul style="list-style-type: none"> <li>• 2-section telescoping jib (26' (7,9 m) - 46' (14 m))</li> </ul>	<h3>Cab</h3> <p> Optional Cab available</p> <ul style="list-style-type: none"> <li>• Air Conditioner</li> <li>• Heater</li> </ul>
<p>Max. Tip Height with Extension</p> <p> 30112S</p> <ul style="list-style-type: none"> <li>• Max tip height with extension: 168' (51.2 m)</li> <li>• Max tip height with extension retracted: 146' 6" (44.7 m)</li> </ul>	<h3>Radio Remote Control</h3> <p> </p> <ul style="list-style-type: none"> <li>• Radio Remote Control with Joysticks (900 MHz or 433 MHz)</li> <li>• Radio Remote Control with Paddles (900 MHz or 300 MHz)</li> </ul>
<p>Bulkhead</p> <p>24 in. (607 mm) bulkhead</p>	<h3>2-person Basket</h3> <p> Consult Manitex for specific application and rating</p> <ul style="list-style-type: none"> <li>• 2-person Steel Gravity Levelled Basket with Friction Brake</li> <li>• 2-person Steel Rotating Basket</li> </ul>
<h3>Floats</h3> <p>Steel Floats Optional</p>	<h3>Tool Boxes &amp; Flatbed</h3> <p>Tool Boxes</p> <ul style="list-style-type: none"> <li>• 24 in. L x 18 in. W x 18 in. H (610 mm L x 457 mm W x 457 mm H)</li> <li>• 48 in. L x 24 in. W x 24 in. H (1,219 mm L x 610 mm W x 610 mm H)</li> </ul> <p>Flatbeds</p> <ul style="list-style-type: none"> <li>• 14' (4,3 m) Steel Flatbed</li> <li>• 14' (4,3 m) Wood Flatbed</li> </ul>
<h3>Hoist and Hook</h3> <p> Auxiliary lower sheave block for 2-8 part lines Load blocks 1-3, 1-6, 2-6 part lines</p>	

To learn more about this model, call 414-764-9200 or visit [giuffre.com](http://giuffre.com) today!

**Manitex**



# TC300

**30-Ton (27,2 mt) TELESCOPIC CRANE**  
TC300 SERIES PRODUCT GUIDE

**UPTIME**

UPTIME is the Manitex commitment to complete support of thousands of units working every day.

**MANITEX**  
3000 South Austin Avenue  
Georgetown, Texas 78626  
1-877-314-3390 | [www.Manitex.com](http://www.Manitex.com)

MTX-TC300-PC-EN-V1-0815



AVAILABLE AT:

**GIUFFRE.COM**

**GIUFFRE BROS CRANES INC.**

6635 SOUTH 13TH ST. - MILWAUKEE, WI 53221  
414-764-9200 • 877-321-3710



# Load Rating Chart

## Model 30112S



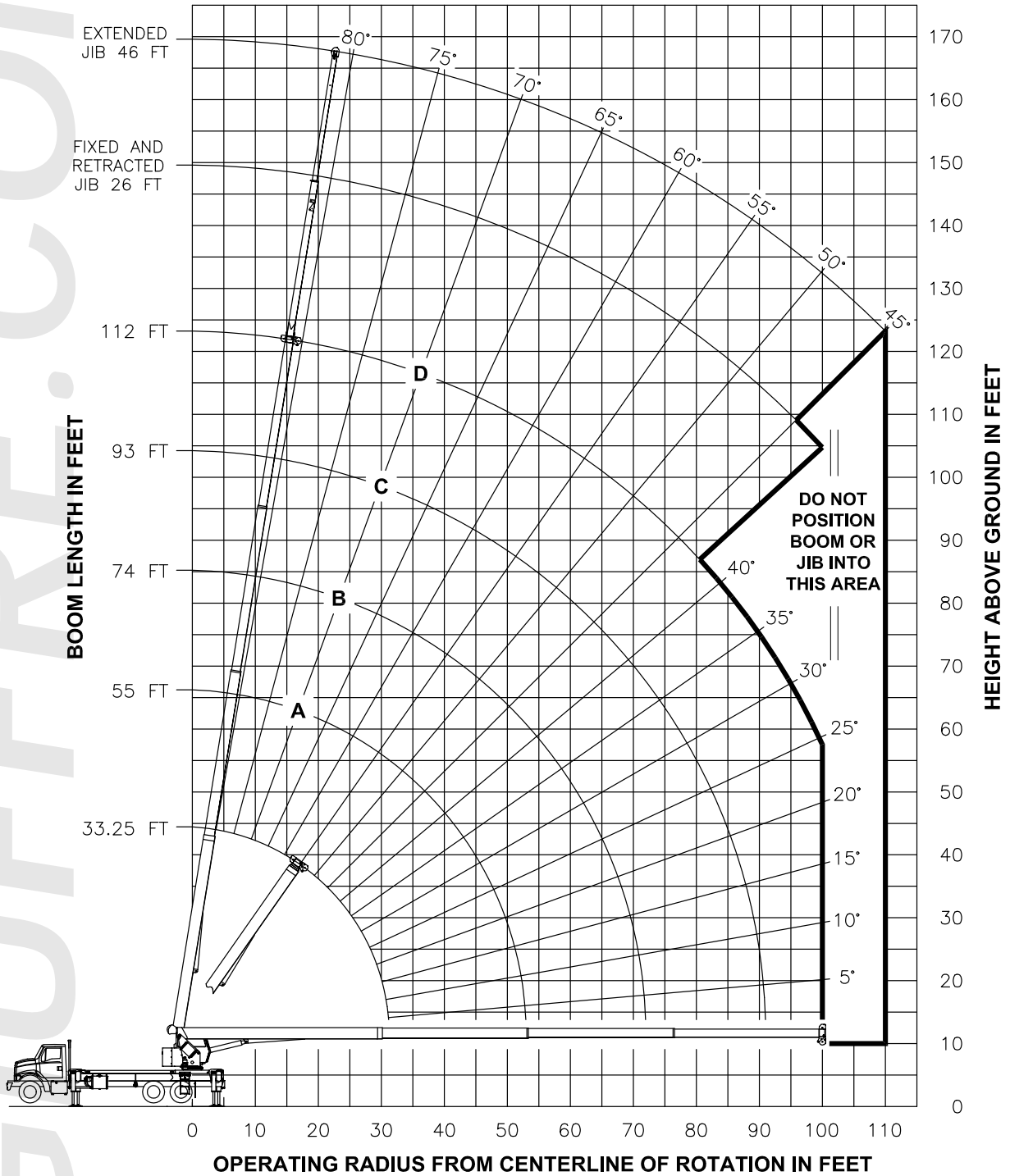
©Manitex 2003

**NOTE:** Additional copies of this Load Rating Chart can be purchased from your Manitex Distributor. When ordering, use the part number shown in the bottom left corner of this page.

7300107-001 NR

PAGE 1 OF 10

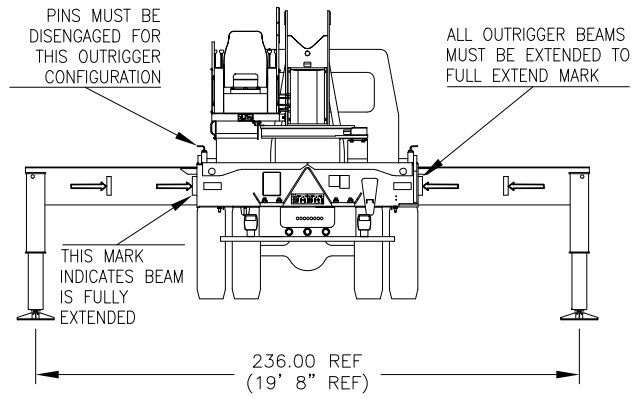
**RANGE DIAGRAM  
- FULLY EXTENDED OUTRIGGER CONFIGURATION -**



7300107-001 NR

PAGE 2 OF 10

**USE THIS CHART ONLY  
WHEN ALL OUTRIGGERS  
ARE FULLY EXTENDED**

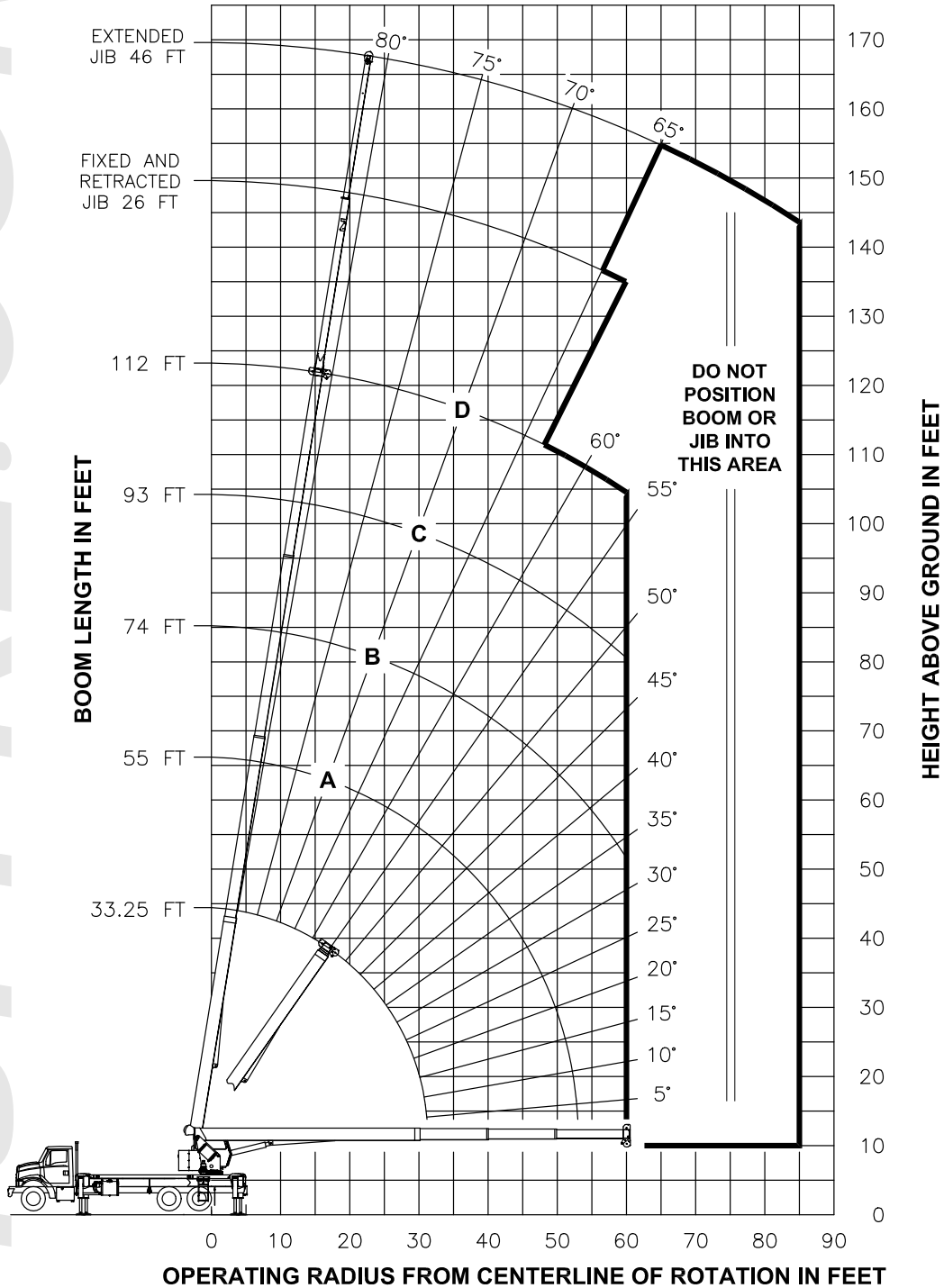


**MAIN BOOM AND JIB LIFTING CAPACITIES**

LOAD RADIUS (FT)	MAIN BOOM RATED LOADS										JIB RATED LOADS FOR ALL BOOM LENGTHS						
	33.25 FT (RETR) LMI CODE 1		55 FT (A) LMI CODE 1		74 FT (B) LMI CODE 1		93 FT (C) LMI CODE 1		112 FT (D) LMI CODE 1		LOAD RADIUS (FT)	26 FT FIXED JIB LMI CODE 2		26 FT TELE JIB LMI CODE 3		46 FT TELE JIB LMI CODE 4	
	LOADED BOOM ANGLE (DEG)	LIFTING CAPACITY (LBS)	LOADED BOOM ANGLE (DEG)	LIFTING CAPACITY (LBS)	LOADED BOOM ANGLE (DEG)	LIFTING CAPACITY (LBS)	LOADED BOOM ANGLE (DEG)	LIFTING CAPACITY (LBS)	LOADED BOOM ANGLE (DEG)	LIFTING CAPACITY (LBS)		LOADED BOOM ANGLE (DEG)	LIFTING CAPACITY (LBS)	LOADED BOOM ANGLE (DEG)	LIFTING CAPACITY (LBS)	LOADED BOOM ANGLE (DEG)	LIFTING CAPACITY (LBS)
5	80	60000									5						
8	75	43830									8						
10	71.5	37330	79.5	25000							10						
12	68	32640	77.5	25000							12						
15	62	27600	74.5	24610	79.5	22120					15						
20	51.5	21850	69	19320	75.5	18080	79.5	13300			20						
25	38.5	16630	63	15930	71.5	14750	76.5	11900	79.5	8000	25						
30	18.5	12710	57	13250	67.5	12440	73.5	10550	77	8000	30	80	4500	80	4300		
35			50	10540	63	10720	70	9330	74.5	7290	35	78	4500	78	4300	79.5	2700
40			42.5	8350	58.5	8570	67	8500	72	6600	40	76.5	4500	76.5	4300	78	2700
45			33.5	6630	53.5	6850	63	6960	69.5	5970	45	74.5	4300	74.5	4030	76.5	2700
50			21.5	5330	48	5560	59.5	5670	66.5	5390	50	72.5	4000	72.5	3720	75	2700
55					42.5	4550	55.5	4660	63.5	4730	55	70.5	3700	70.5	3420	73.5	2700
60					36	3740	51.5	3860	60.5	3920	60	68	3420	68	3140	72	2700
65					27.5	3070	47	3190	57	3260	65	66	3130	66	2800	70	2580
70					16	2510	42.5	2640	54	2710	70	63.5	2790	63.5	2440	68	2390
75							37	2170	50.5	2240	75	61	2350	61	2050	66.5	2220
80							31	1770	46.5	1840	80	58	1940	58	1650	64.5	2020
85							23.5	1410	42.5	1490	85	55.5	1590	55.5	1300	62	1770
90							11	1100	38.5	1180	90	52.5	1290	52.5	990	59.5	1460
95									33.5	910	95	49.5	1020	49.5	720	57	1190
100									28	670	100	46.5	780	46.5	480	54.5	940
105											105					52	730
110											110					49.5	530
		510 LBS		310 LBS		230 LBS		190 LBS		160 LBS		DEDUCTIONS FOR STOWED FIXED JIB					
		770 LBS		470 LBS		350 LBS		280 LBS		230 LBS		DEDUCTIONS FOR STOWED TELESCOPIC JIB					

GIUFFRE.COM

**RANGE DIAGRAM  
- MID EXTEND OUTRIGGER CONFIGURATION -**



**NOTE : LIFTING PERSONNEL WITH CRANE IN THIS OUTRIGGER CONFIGURATION IS STRICTLY PROHIBITED. USE ONLY FULLY EXTENDED OUTRIGGER CONFIGURATION WHEN LIFTING PERSONNEL.**

7300107-001 NR

PAGE 4 OF 10



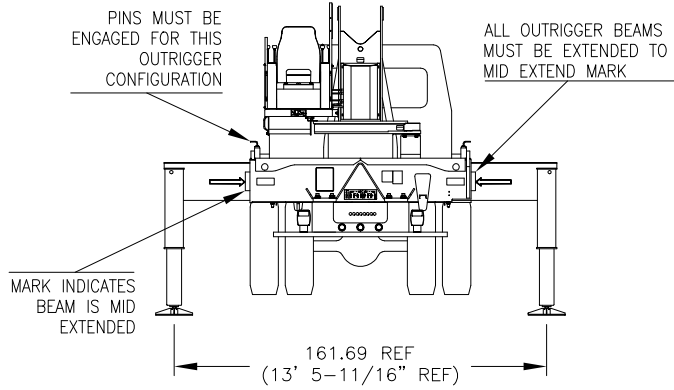
AVAILABLE AT:

**GIUFFRE.COM**

GIUFFRE BROS CRANES INC.

6635 SOUTH 13TH ST. - MILWAUKEE, WI 53221  
414-764-9200 • 877-321-3710

**USE THIS CHART ONLY WHEN ALL OUTRIGGERS ARE IN THE MID EXTEND POSITION**

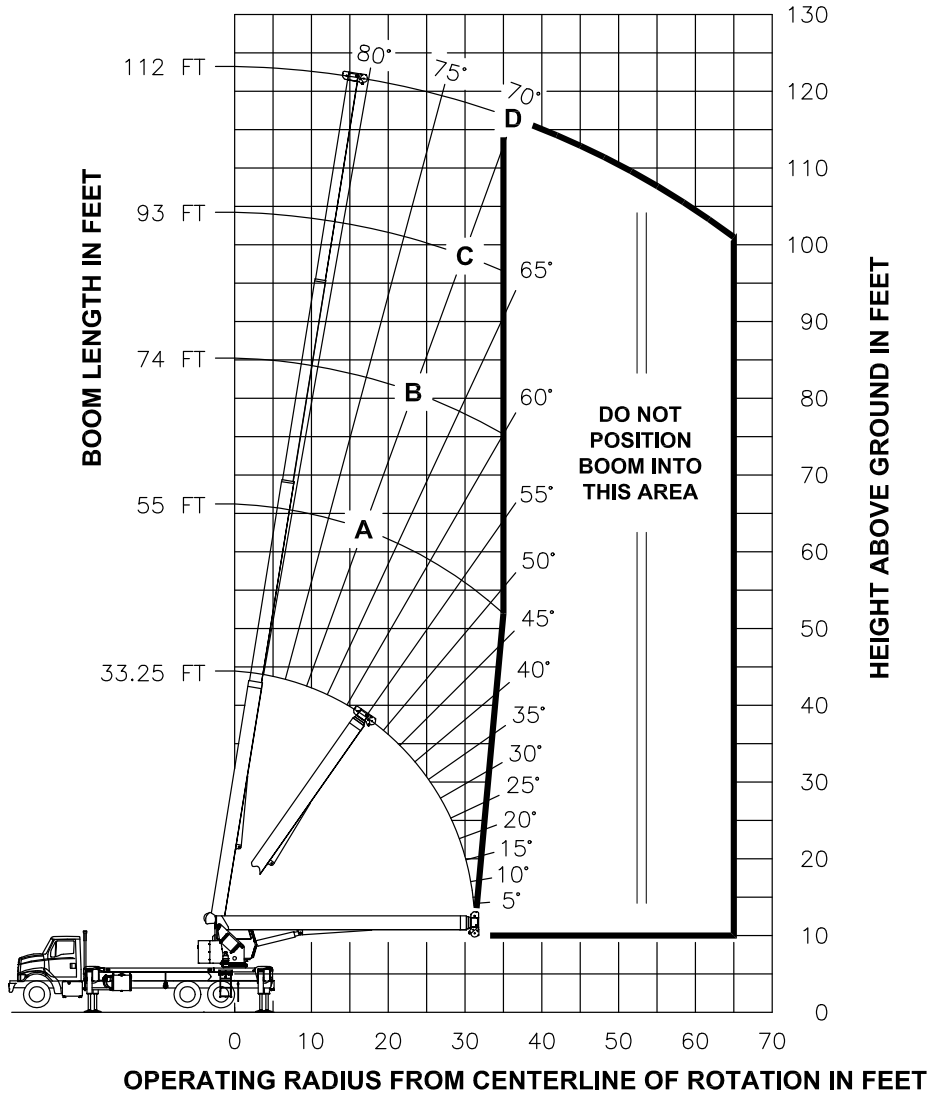


**MAIN BOOM AND JIB LIFTING CAPACITIES**

MAIN BOOM RATED LOADS										JIB RATED LOADS FOR ALL BOOM LENGTHS							
LOAD RADIUS (FT)	33.25 FT (RETR) LMI CODE 9		55 FT (A) LMI CODE 9		74 FT (B) LMI CODE 9		93 FT (C) LMI CODE 9		112 FT (D) LMI CODE 9		LOAD RADIUS (FT)	26 FT FIXED JIB LMI CODE 10		26 FT TELE JIB LMI CODE 11		46 FT TELE JIB LMI CODE 12	
	LOADED BOOM ANGLE (DEG)	LIFTING CAPACITY (LBS)	LOADED BOOM ANGLE (DEG)	LIFTING CAPACITY (LBS)	LOADED BOOM ANGLE (DEG)	LIFTING CAPACITY (LBS)	LOADED BOOM ANGLE (DEG)	LIFTING CAPACITY (LBS)	LOADED BOOM ANGLE (DEG)	LIFTING CAPACITY (LBS)		LOADED BOOM ANGLE (DEG)	LIFTING CAPACITY (LBS)	LOADED BOOM ANGLE (DEG)	LIFTING CAPACITY (LBS)	LOADED BOOM ANGLE (DEG)	LIFTING CAPACITY (LBS)
5	80	60000									5						
8	75	43830									8						
10	71.5	37330	79.5	25000							10						
12	68	32640	77.5	25000							12						
15	62	24850	74.5	24610	79.5	22120					15						
20	51.5	13890	69	14520	75.5	14760	79.5	13300			20						
25	38.5	8910	63	9510	71.5	9720	76.5	9850	79.5	8000	25						
30	18.5	6030	57	6650	67.5	6850	73.5	6960	77	7040	30	80	4500	80	4300		
35			50	4790	63	4990	70	5100	74.5	5170	35	78	4500	78	4300	79.5	2700
40			42.5	3490	58.5	3690	67	3800	72	3860	40	76.5	3950	76.5	3640	78	2700
45			33.5	2530	53.5	2730	63	2830	69.5	2900	45	74.5	2980	74.5	2670	76.5	2700
50			21.5	1770	48	1990	59.5	2090	66.5	2160	50	72.5	2230	72.5	1920	75	2440
55					42.5	1400	55.5	1500	63.5	1570	55	70.5	1640	70.5	1330	73.5	1830
60					36	920	51.5	1020	60.5	1090	60	68	1160	68	850	72	1350
65																70	940
		510 LBS		310 LBS		230 LBS		190 LBS		160 LBS		DEDUCTIONS FOR STOWED FIXED JIB					
		770 LBS		470 LBS		350 LBS		280 LBS		230 LBS		DEDUCTIONS FOR STOWED TELESCOPIC JIB					

GIUFFRE.COM

**RANGE DIAGRAM  
- FULLY RETRACTED OUTRIGGER CONFIGURATION -**



**NOTE :** LIFTING PERSONNEL WITH CRANE IN THIS OUTRIGGER CONFIGURATION IS STRICTLY PROHIBITED. USE ONLY FULLY EXTENDED OUTRIGGER CONFIGURATION WHEN LIFTING PERSONNEL.

7300107-001 NR

PAGE 6 OF 10



AVAILABLE AT:

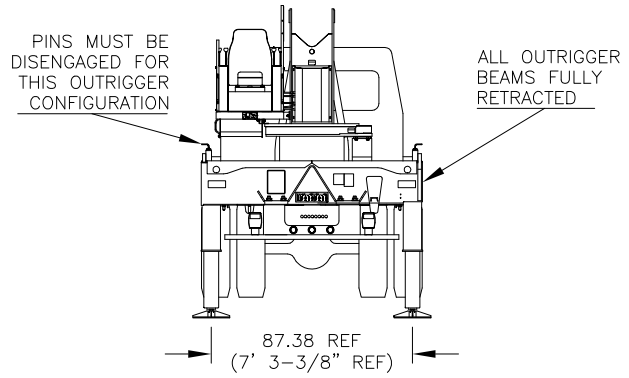
**GIUFFRE.COM**

GIUFFRE BROS CRANES INC.

6635 SOUTH 13TH ST. - MILWAUKEE, WI 53221  
414-764-9200 • 877-321-3710

GIUFFRE.COM

**USE THIS CHART  
ONLY WHEN ALL  
OUTRIGGERS ARE  
FULLY RETRACTED**

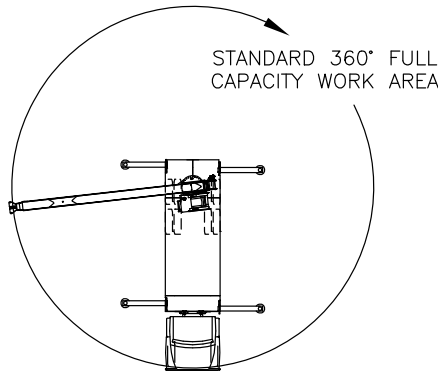


**MAIN BOOM AND JIB LIFTING CAPACITIES**

MAIN BOOM RATED LOADS										NO JIBS ARE TO BE ERRECTED IN THIS OUTRIGGER CONFIGURATION	
LOAD RADIUS (FT)	33.25 FT (RETR) LMI CODE 13		55 FT (A) LMI CODE 13		74 FT (B) LMI CODE 13		93 FT (C) LMI CODE 13		112 FT (D) LMI CODE 13		
	LOADED BOOM ANGLE (DEG)	LIFTING CAPACITY (LBS)	LOADED BOOM ANGLE (DEG)	LIFTING CAPACITY (LBS)	LOADED BOOM ANGLE (DEG)	LIFTING CAPACITY (LBS)	LOADED BOOM ANGLE (DEG)	LIFTING CAPACITY (LBS)	LOADED BOOM ANGLE (DEG)		LIFTING CAPACITY (LBS)
5	80	60000									
8	75	27790									
10	71.5	17750	79.5	18400							
12	68	12510	77.5	13100							
15	62	8100	74.5	8640	79.5	8850					
20	51.5	4330	69	4850	75.5	5030	79.5	5140			
25	38.5	2310	63	2820	71.5	3000	76.5	3100	79.5		3170
30	18.5	1020	57	1560	67.5	1740	73.5	1840	77	1900	
35			50	700	63	880	70	980	74.5	1040	
		510 LBS		310 LBS		230 LBS		190 LBS		160 LBS	DEDUCTIONS FOR STOWED FIXED JIB
		770 LBS		470 LBS		350 LBS		280 LBS		230 LBS	DEDUCTIONS FOR STOWED TELESCOPIC JIB

ALLOWABLE LINE PULL							WARNING
1 PART LINE	2 PART LINE	3 PART LINE	4 PART LINE	5 PART LINE	6 PART LINE	7 PART LINE	
8500 LBS	17000 LBS	25500 LBS	34000 LBS	42500 LBS	51000 LBS	60000 LBS	
7700 LBS	15400 LBS	23100 LBS	30800 LBS	38500 LBS	46200 LBS	53900 LBS	9/16" 6X25 IWRC (3.5:1 SF) - 30000 LBS MIN BREAKING STRENGTH  9/16" ROT RESISTANT (5.0:1 SF) - 38500 LBS MIN BREAKING STRENGTH

**AREA OF OPERATION**



**DEDUCTIONS FROM RATED LOADS FOR LOAD HANDLING DEVICES SUPPLIED BY MANITEX INC.**

- AUXILIARY BLOCK — — — — — 50 LBS
- OVERHAUL BALL — — — — — SEE OVERHAUL BALL MANUFACTURER NAMEPLATE
- LOAD BLOCK — — — — — SEE BLOCK MANUFACTURER NAMEPLATE
- HOSE REEL — — — — — 140 LBS
- SWING AROUND JIB — — — — — SEE LOAD CHART



**LMI OPERATING CODES**

SETTING	CRANE CONFIGURATION	OUTRIGGER CONFIGURATION
#1	MAIN BOOM	FULLY EXTENDED
#2	FIXED JIB	FULLY EXTENDED
#3	TELESCOPIC JIB-RETRACTED	FULLY EXTENDED
#4	TELESCOPIC JIB-EXTENDED	FULLY EXTENDED
#5	PERSONNEL LIFTING PLATFORM ON MAIN BOOM	FULLY EXTENDED
#6	PERSONNEL LIFTING PLATFORM ON FIXED JIB	FULLY EXTENDED
#7	PERSONNEL LIFTING PLATFORM ON TELESCOPIC JIB-RETRACTED	FULLY EXTENDED
#8	PERSONNEL LIFTING PLATFORM ON TELESCOPIC JIB-EXTENDED	FULLY EXTENDED
#9	MAIN BOOM	INTERMEDIATE
#10	FIXED JIB	INTERMEDIATE
#11	TELESCOPIC JIB-RETRACTED	INTERMEDIATE
#12	TELESCOPIC JIB-EXTENDED	INTERMEDIATE
#13	MAIN BOOM	FULLY RETRACTED

**WARNING**

1. THE OPERATOR MUST READ AND UNDERSTAND THE OWNER'S MANUAL BEFORE OPERATING THIS CRANE.
2. POSITIONING OR OPERATION OF CRANE BEYOND AREAS SHOWN ON THIS CHART IS NOT INTENDED OR APPROVED EXCEPT WHERE SPECIFIED IN OWNER'S MANUAL.
3. LOADED BOOM ANGLES AT SPECIFIED BOOM LENGTHS GIVE ONLY AN APPROXIMATION OF THE OPERATING RADIUS. THE BOOM ANGLE BEFORE LOADING SHOULD BE GREATER TO ACCOUNT FOR DEFLECTIONS. DO NOT EXCEED THE OPERATING RADIUS FOR RATED LOADS.
4. THE OPERATING RADIUS SHOWN IN THE JIB RATING CHART IS FOR FULLY EXTENDED BOOM ONLY. WHEN BOOM IS NOT FULLY EXTENDED, USE ONLY LOADED BOOM ANGLE TO DETERMINE LOAD RATING OF JIB.
5. FOR BOOM ANGLES NOT SHOWN ON JIB LOAD RATING CHART, USE RATING OF NEXT LOWER BOOM ANGLE.
6. FOR BOOM LENGTHS NOT SHOWN, USE RATING OF NEXT SHORTER OR LONGER BOOM LENGTH, WHICHEVER IS LESS. FOR RADII NOT SHOWN, USE RATING OF NEXT LONGER RADIUS.
7. CRANE LOAD RATINGS ON OUTRIGGERS ARE BASED ON FREELY SUSPENDED LOADS WITH THE MACHINE LEVELED AND STANDING ON A FIRM UNIFORM SUPPORTING SURFACE. NO ATTEMPT SHALL BE MADE TO MOVE A LOAD HORIZONTALLY ON THE GROUND IN ANY DIRECTION.

**WARNING (CONTINUED)**

8. PRACTICAL WORKING LOADS DEPEND ON SUPPORTING SURFACE, WIND, AND OTHER FACTORS AFFECTING STABILITY SUCH AS HAZARDOUS SURROUNDINGS, EXPERIENCE OF PERSONNEL, AND PROPER HANDLING, ALL OF WHICH MUST BE TAKEN INTO ACCOUNT BY THE OPERATOR.
9. THE MAXIMUM LOAD WHICH MAY BE TELESCOPED IS LIMITED BY HYDRAULIC PRESSURE, BOOM ANGLE, AND BOOM LUBRICATION. IT IS SAFE TO ATTEMPT TO TELESCOPE ANY LOAD WITHIN THE LIMITS OF THE LOAD RATING CHART.
10. LIFTING OFF THE MAIN BOOM POINT WHILE THE SWING AROUND JIB IS ERECTED IS NOT INTENDED OR APPROVED.

**INFORMATION**

1. DEDUCTIONS MUST BE MADE FROM RATED LOADS FOR STOWED JIB, OPTIONAL ATTACHMENTS, HOOKS, AND LOADBLOCKS (SEE DEDUCTION CHART). WEIGHTS OF SLINGS AND ALL OTHER LOAD HANDLING DEVICES SHALL BE CONSIDERED A PART OF THE LOAD.
2. LOAD RATINGS ABOVE THE HEAVY LINE ARE STRUCTURALLY LIMITED CAPACITIES. LOAD RATINGS BELOW THE HEAVY LINE ARE STABILITY LIMITED CAPACITIES AND DO NOT EXCEED 85% OF TIPPING.

**DEFINITIONS**

1. OPERATING RADIUS IS THE HORIZONTAL DISTANCE FROM THE AXIS OF ROTATION TO THE CENTER OF THE VERTICAL HOIST LINE OR TACKLE WITH LOAD APPLIED.
2. LOADED BOOM ANGLE AS SHOWN IN THE COLUMN HEADED BY  $\angle$ , IS THE INCLUDED ANGLE BETWEEN THE HORIZONTAL AND LONGITUDINAL AXES OF THE BOOM BASE AFTER LIFTING RATED LOAD AT RATED RADIUS.