



# MINI CRAWLER CRANE

# MC305C-3

**6,560lb.**  
Maximum Capacity

- 5 SECTION BOOM - 41.0' (12.5m)
- BOOM TIP SEARCHER HOOK (option)
- RUBBER TRACKS
- 2 SPEED TRAVEL & CRANE FUNCTIONS
- MOMENT LIMITER DIGITAL LOAD SYSTEM
- ANTI TWO BLOCK, TILT SENSOR ALARM
- 360° SWING
- AUTOMATIC HOOK STOWAGE
- OPERATOR'S SEAT WITH CENTRALIZED CONTROLS
- REMOTE CONTROL WITH LOAD CAPACITY DISPLAY
- EPA COMPLIANT DIESEL ENGINE, DUAL POWER
- ELECTRIC MOTOR (option)



Moment Limiter Digital Load System



Remote Control



Electric Motor (Option)

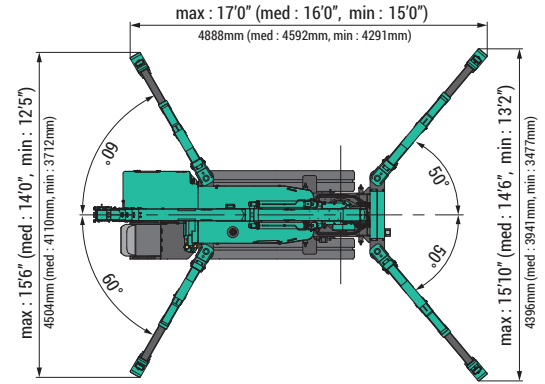
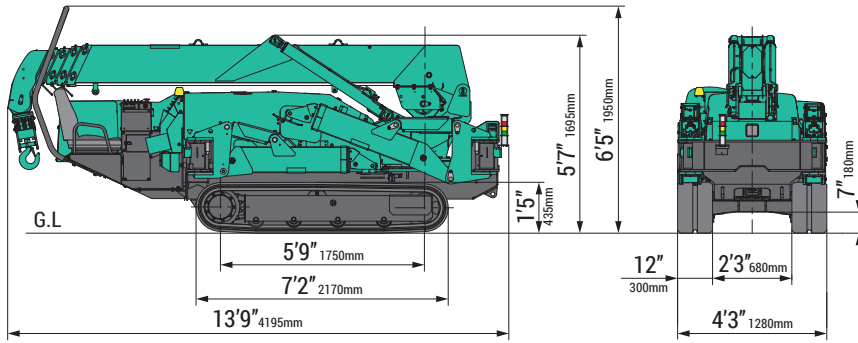


Searcher Hook (Option)



## Specifications

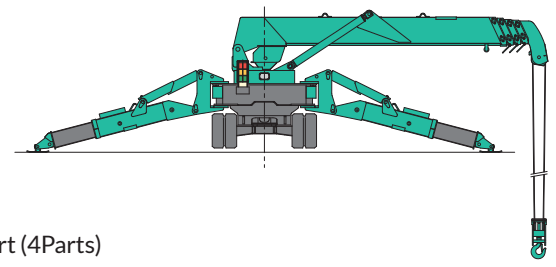
| Model                       |                           | MC305C-3  |
|-----------------------------|---------------------------|---|
| Maximum Capacity            |                           | 6,560lb (2,980kg)   |
| Maximum Working Radius      |                           | 39.8'   |
| Maximum Lifting Height      |                           | 41.0'   |
| Hook Speed                  |                           | 44.3 ft./min 4 Part/4th Layer   |
| Hoist Rope                  |                           | IWRC 6 x WS(26) 8mm x 240'  |
| Boom System                 | Type                      | Automatic 5 Section, Pentagonal Telescopic  |
|                             | Length                    | 12.1' - 41.0'   |
|                             | Telescopic Stroke / Speed | 28.8' / 26 sec  |
| Boom Hoist Angle / Speed    |                           | 0° - 80° / 14.5 sec   |
| Swing Radius / Speed        |                           | 360° / 2.4 RPM  |
| Travel Crawler System       | Drive                     | Hydraulic Motor, Stepless Speed Changer   |
|                             | Travel Speed              | 0 - 1.74 mph  |
|                             | Gradability               | 20° Design Limit   15° Set Limit  |
|                             | Ground Pressure           | 5.40 PSI Diesel Model<br>5.59 PSI Electric Dual Power Model   |
| Engine                      | Type                      | Yanmar 3TNV80F-SNMB<br>4 Cycle, 3 Cylinder, Water Cooled  |
|                             | Rated Output              | 20.38 hp / 2400 min-1, 20.7 ps / 2400 RPM   |
|                             | Fuel Tank                 | 10.5 Gallon   |
| Electric Motor (Dual Power) | Type                      | Totally Enclosed Fan Cooled Motor   |
|                             | Size                      | 5.5 kw, 4P, 230V, 3 phase, Inverter 30 hz - 60 hz   |
| Remote Control              | Standard                  | Cable Remote Control, Crane & Outrigger Operation,<br>Graduated Micro Speed, Load & Rated Load LCD Display  |
|                             | Dimensions                | Stowed L x W x H<br>L 13'9" x W 4'3" x H 6'5"   |
| Net Weight                  |                           | Diesel Model 8,600 lb. Electric Dual Power + 300 lb.  |
| Optional Equipment          |                           | Boom Tip Searcher Hook, Wireless Remote, White Rubber Tracks, Single Part Ball/Hook, Man Basket, Rotation Resistant Wire Rope, Oktopus Glass Lifter/Manipulator, Custom Paint Color, Exhaust Scrubber, Transport Trailer, Outrigger Pads<br>Searcher Hook 1,870lb (850kg) / 3,300lb (1,500kg) |



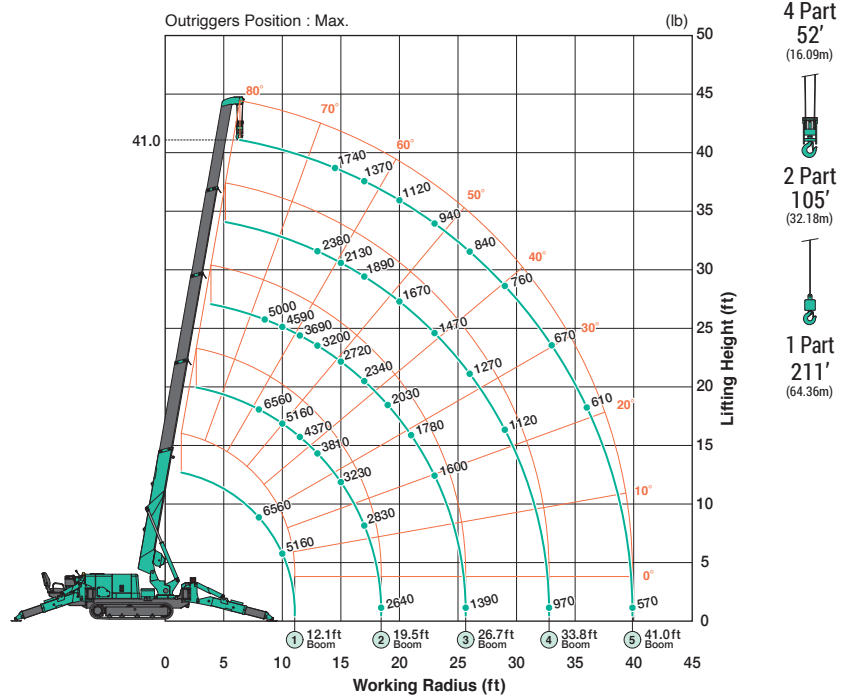
Rated Total Load Chart

| MAXIMUM Outriggers, 4 Part Line |             |                 |                 |                 |                 |
|---------------------------------|-------------|-----------------|-----------------|-----------------|-----------------|
| Boom Length                     | 12.1Ft.     | 12.2 - 19.5 Ft. | 19.6 - 26.7 Ft. | 26.8 - 33.8 Ft. | 33.9 - 41.0 Ft. |
| Radius (Ft.)                    | Load (Lbs.) | Load (Lbs.)     | Load (Lbs.)     | Load (Lbs.)     | Load (Lbs.)     |
| 8.0                             | 6560        | 6560            |                 |                 |                 |
| 8.5                             | 6280        | 6280            | 5000            |                 |                 |
| 10.0                            | 5160        | 5160            | 4590            |                 |                 |
| 11.5                            |             | 4370            | 3690            |                 |                 |
| 13.0                            |             | 3810            | 3200            | 2380            |                 |
| 14.5                            |             | 3350            | 2830            | 2200            | 1740            |
| 15.0                            |             | 3230            | 2720            | 2130            | 1690            |
| 17.0                            |             | 2830            | 2340            | 1890            | 1370            |
| 18.0                            |             | 2640            | 2180            | 1790            | 1270            |
| 19.0                            |             |                 | 2030            | 1730            | 1190            |
| 20.0                            |             |                 | 1890            | 1670            | 1120            |
| 21.0                            |             |                 | 1780            | 1610            | 1050            |
| 23.0                            |             |                 | 1600            | 1470            | 940             |
| 25.5                            |             |                 | 1390            | 1300            | 850             |
| 26.0                            |             |                 |                 | 1270            | 840             |
| 29.0                            |             |                 |                 | 1120            | 760             |
| 32.5                            |             |                 |                 | 970             | 680             |
| 33.0                            |             |                 |                 |                 | 670             |
| 36.0                            |             |                 |                 |                 | 610             |
| 39.5                            |             |                 |                 |                 | 570             |

MAX. Reach Below Grade



Working Range Chart (4Parts)



| MEDIUM Outriggers, 4 Part Line |             |                 |                 |                 |                 |
|--------------------------------|-------------|-----------------|-----------------|-----------------|-----------------|
| Boom Length                    | 12.1Ft.     | 12.2 - 19.5 Ft. | 19.6 - 26.7 Ft. | 26.8 - 33.8 Ft. | 33.9 - 41.0 Ft. |
| Radius (Ft.)                   | Load (Lbs.) | Load (Lbs.)     | Load (Lbs.)     | Load (Lbs.)     | Load (Lbs.)     |
| 8.0                            | 6560        | 6560            |                 |                 |                 |
| 8.5                            | 6260        | 6260            | 5000            |                 |                 |
| 10.0                           | 5100        | 5100            | 4530            |                 |                 |
| 11.5                           |             | 4310            | 3690            |                 |                 |
| 13.0                           |             | 3750            | 3160            | 2330            |                 |
| 14.5                           |             | 3140            | 2790            | 2120            | 1710            |
| 15.0                           |             | 2950            | 2670            | 2060            | 1670            |
| 17.0                           |             | 2360            | 2250            | 1840            | 1350            |
| 18.0                           |             | 2160            | 2100            | 1760            | 1240            |
| 19.0                           |             |                 | 1900            | 1690            | 1150            |
| 20.0                           |             |                 | 1700            | 1630            | 1070            |
| 21.0                           |             |                 | 1550            | 1550            | 1010            |
| 23.0                           |             |                 | 1340            | 1380            | 900             |
| 25.5                           |             |                 | 1150            | 1140            | 810             |
| 26.0                           |             |                 |                 | 1100            | 790             |
| 29.0                           |             |                 |                 | 920             | 710             |
| 32.5                           |             |                 |                 | 780             | 640             |
| 33.0                           |             |                 |                 |                 | 630             |
| 36.0                           |             |                 |                 |                 | 570             |
| 39.5                           |             |                 |                 |                 | 550             |

| MINIMUM Outriggers, 4 Part Line |             |                 |                 |                 |                 |
|---------------------------------|-------------|-----------------|-----------------|-----------------|-----------------|
| Boom Length                     | 12.1Ft.     | 12.2 - 19.5 Ft. | 19.6 - 26.7 Ft. | 26.8 - 33.8 Ft. | 33.9 - 41.0 Ft. |
| Radius (Ft.)                    | Load (Lbs.) | Load (Lbs.)     | Load (Lbs.)     | Load (Lbs.)     | Load (Lbs.)     |
| 8.0                             | 6560        | 6560            |                 |                 |                 |
| 8.5                             | 6260        | 6260            | 5000            |                 |                 |
| 10.0                            | 5050        | 5050            | 4530            |                 |                 |
| 11.5                            |             | 3950            | 3690            |                 |                 |
| 13.0                            |             | 3200            | 3060            | 2300            |                 |
| 14.5                            |             | 2600            | 2550            | 2120            | 1710            |
| 15.0                            |             | 2440            | 2390            | 2060            | 1670            |
| 17.0                            |             | 1970            | 1890            | 1820            | 1350            |
| 18.0                            |             | 1800            | 1740            | 1700            | 1240            |
| 19.0                            |             |                 | 1580            | 1570            | 1150            |
| 20.0                            |             |                 | 1430            | 1460            | 1070            |
| 21.0                            |             |                 | 1300            | 1350            | 1010            |
| 23.0                            |             |                 | 1120            | 1160            | 890             |
| 25.5                            |             |                 | 950             | 970             | 810             |
| 26.0                            |             |                 |                 | 940             | 790             |
| 29.0                            |             |                 |                 | 770             | 710             |
| 32.5                            |             |                 |                 | 660             | 640             |
| 33.0                            |             |                 |                 |                 | 630             |
| 36.0                            |             |                 |                 |                 | 530             |
| 39.5                            |             |                 |                 |                 | 460             |

The Rated Total Load is based on the actual working radius including boom deflection. Due to wire rope strength and other limitations, when using two part or single part hooks use the appropriate four part Rated Total Load Chart above but with maximum load of:

Two Part - 3,260 lb. Single Part - 1,650 lb.

This Rated Total Load Chart is supplied for reference only. Operator and all personnel must refer to the actual crane Rated Total Load Chart to determine allowable machine lifting and operating procedures. We are constantly improving our products and reserve the right to change design and specifications at any time.

ASME B 30.5 2018. ISO 9001 compliant