

# **NATIONAL CRANE**

by **Manitowoc**

## **LOAD CHARTS NBT60XL**

**85% STABILITY  
ON OUTRIGGERS**

**XXXXXX**  

---

**SERIAL NUMBER**



# CONTENTS

GENERAL NOTES .....	7-8
WIND SPEED AND WEIGHT REDUCTIONS .....	9
LINE PULLS & REEVING INFO / HOIST PERFORMANCE .....	10
LIFTING AREA DIAGRAM.....	11
RCL BASKET CODES.....	12
RANGE DIAGRAM WITH EXTENSION.....	13

**WITH 16,000 lb COUNTERWEIGHT**

**ON OUTRIGGERS FULLY EXTENDED - 360°**

MAIN BOOM.....	14
36' OFFSETABLE EXTENSION - 0° OFFSET .....	15
36' OFFSETABLE EXTENSION - 15° OFFSET .....	16
36' OFFSETABLE EXTENSION - 30° OFFSET .....	17

**ON OUTRIGGERS FULLY EXTENDED - OVER REAR**

MAIN BOOM.....	18
36' OFFSETABLE EXTENSION - 0° OFFSET .....	19
36' OFFSETABLE EXTENSION - 15° OFFSET .....	20
36' OFFSETABLE EXTENSION - 30° OFFSET .....	21

**ON OUTRIGGERS 50% EXTENDED - 360°**

MAIN BOOM.....	22
36' OFFSETABLE EXTENSION - 0° OFFSET .....	23
36' OFFSETABLE EXTENSION - 15° OFFSET .....	24
36' OFFSETABLE EXTENSION - 30° OFFSET .....	25

**ON OUTRIGGERS 0% EXTENDED - 360°**

MAIN BOOM.....	26
----------------	----

**WITH 13,000 lb COUNTERWEIGHT**

**ON OUTRIGGERS FULLY EXTENDED - 360°**

MAIN BOOM.....	27
36' OFFSETABLE EXTENSION - 0° OFFSET .....	28
36' OFFSETABLE EXTENSION - 15° OFFSET .....	29
36' OFFSETABLE EXTENSION - 30° OFFSET .....	30

**ON OUTRIGGERS FULLY EXTENDED - OVER REAR**

MAIN BOOM.....	31
36' OFFSETABLE EXTENSION - 0° OFFSET .....	32
36' OFFSETABLE EXTENSION - 15° OFFSET .....	33
36' OFFSETABLE EXTENSION - 30° OFFSET .....	34

**ON OUTRIGGERS 50% EXTENDED - 360°**

MAIN BOOM.....	35
36' OFFSETABLE EXTENSION - 0° OFFSET .....	36
36' OFFSETABLE EXTENSION - 15° OFFSET .....	37
36' OFFSETABLE EXTENSION - 30° OFFSET .....	38

**ON OUTRIGGERS 0% EXTENDED - 360°**

MAIN BOOM.....	39
----------------	----

CONTENTS (continued)

**WITH 11,000 lb COUNTERWEIGHT**

**ON OUTRIGGERS FULLY EXTENDED - 360°**

MAIN BOOM.....40  
 36' OFFSETABLE EXTENSTION - 0° OFFSET .....41  
 36' OFFSETABLE EXTENSTION - 15° OFFSET .....42  
 36' OFFSETABLE EXTENSTION - 30° OFFSET .....43

**ON OUTRIGGERS FULLY EXTENDED - OVER REAR**

MAIN BOOM.....44  
 36' OFFSETABLE EXTENSTION - 0° OFFSET .....45  
 36' OFFSETABLE EXTENSTION - 15° OFFSET .....46  
 36' OFFSETABLE EXTENSTION - 30° OFFSET .....47

**ON OUTRIGGERS 50% EXTENDED - 360°**

MAIN BOOM.....48  
 36' OFFSETABLE EXTENSTION - 0° OFFSET .....49  
 36' OFFSETABLE EXTENSTION - 15° OFFSET .....50  
 36' OFFSETABLE EXTENSTION - 30° OFFSET .....51

**ON OUTRIGGERS 0% EXTENDED - 360°**

MAIN BOOM.....52

**WITH 10,000 lb COUNTERWEIGHT**

**ON OUTRIGGERS FULLY EXTENDED - 360°**

MAIN BOOM.....53  
 36' OFFSETABLE EXTENSTION - 0° OFFSET .....54  
 36' OFFSETABLE EXTENSTION - 15° OFFSET .....55  
 36' OFFSETABLE EXTENSTION - 30° OFFSET .....56

**ON OUTRIGGERS FULLY EXTENDED - OVER REAR**

MAIN BOOM.....57  
 36' OFFSETABLE EXTENSTION - 0° OFFSET .....58  
 36' OFFSETABLE EXTENSTION - 15° OFFSET .....59  
 36' OFFSETABLE EXTENSTION - 30° OFFSET .....60

**ON OUTRIGGERS 50% EXTENDED - 360°**

MAIN BOOM.....61  
 36' OFFSETABLE EXTENSTION - 0° OFFSET .....62  
 36' OFFSETABLE EXTENSTION - 15° OFFSET .....63  
 36' OFFSETABLE EXTENSTION - 30° OFFSET .....64

**ON OUTRIGGERS 0% EXTENDED - 360°**

MAIN BOOM.....65

**WITH 8,000 lb COUNTERWEIGHT**

**ON OUTRIGGERS FULLY EXTENDED - 360°**

MAIN BOOM.....66  
 36' OFFSETABLE EXTENSTION - 0° OFFSET .....67  
 36' OFFSETABLE EXTENSTION - 15° OFFSET .....68  
 36' OFFSETABLE EXTENSTION - 30° OFFSET .....69

CONTENTS (continued)

**WITH 8,000 lb COUNTERWEIGHT (continued)**

**ON OUTRIGGERS FULLY EXTENDED - OVER REAR**

MAIN BOOM.....70  
 36' OFFSETABLE EXTENSTION - 0° OFFSET .....71  
 36' OFFSETABLE EXTENSTION - 15° OFFSET .....72  
 36' OFFSETABLE EXTENSTION - 30° OFFSET .....73

**ON OUTRIGGERS 50% EXTENDED - 360°**

MAIN BOOM.....74  
 36' OFFSETABLE EXTENSTION - 0° OFFSET .....75  
 36' OFFSETABLE EXTENSTION - 15° OFFSET .....76  
 36' OFFSETABLE EXTENSTION - 30° OFFSET .....77

**ON OUTRIGGERS 0% EXTENDED - 360°**

MAIN BOOM.....78

**WITH 6,000 lb COUNTERWEIGHT**

**ON OUTRIGGERS FULLY EXTENDED - 360°**

MAIN BOOM.....79  
 36' OFFSETABLE EXTENSTION - 0° OFFSET .....80  
 36' OFFSETABLE EXTENSTION - 15° OFFSET .....81  
 36' OFFSETABLE EXTENSTION - 30° OFFSET .....82

**ON OUTRIGGERS FULLY EXTENDED - OVER REAR**

MAIN BOOM.....83  
 36' OFFSETABLE EXTENSTION - 0° OFFSET .....84  
 36' OFFSETABLE EXTENSTION - 15° OFFSET .....85  
 36' OFFSETABLE EXTENSTION - 30° OFFSET .....86

**ON OUTRIGGERS 50% EXTENDED - 360°**

MAIN BOOM.....87  
 36' OFFSETABLE EXTENSTION - 0° OFFSET .....88  
 36' OFFSETABLE EXTENSTION - 15° OFFSET .....89  
 36' OFFSETABLE EXTENSTION - 30° OFFSET .....90

**ON OUTRIGGERS 0% EXTENDED - 360°**

MAIN BOOM.....91

**WITH 5,000 lb COUNTERWEIGHT**

**ON OUTRIGGERS FULLY EXTENDED - 360°**

MAIN BOOM.....92  
 36' OFFSETABLE EXTENSTION - 0° OFFSET .....93  
 36' OFFSETABLE EXTENSTION - 15° OFFSET .....94  
 36' OFFSETABLE EXTENSTION - 30° OFFSET .....95

**ON OUTRIGGERS FULLY EXTENDED - OVER REAR**

MAIN BOOM.....96  
 36' OFFSETABLE EXTENSTION - 0° OFFSET .....97  
 36' OFFSETABLE EXTENSTION - 15° OFFSET .....98  
 36' OFFSETABLE EXTENSTION - 30° OFFSET .....99

CONTENTS (continued)

**WITH 5,000 lb COUNTERWEIGHT (continued)**

**ON OUTRIGGERS 50% EXTENDED - 360°**

MAIN BOOM.....100  
36' OFFSETABLE EXTENSION - 0° OFFSET .....101  
36' OFFSETABLE EXTENSION - 15° OFFSET .....102  
36' OFFSETABLE EXTENSION - 30° OFFSET .....103

**ON OUTRIGGERS 0% EXTENDED - 360°**

MAIN BOOM.....104

**WITH 3,000 lb COUNTERWEIGHT**

**ON OUTRIGGERS FULLY EXTENDED - 360°**

MAIN BOOM.....105  
36' OFFSETABLE EXTENSION - 0° OFFSET .....106  
36' OFFSETABLE EXTENSION - 15° OFFSET .....107  
36' OFFSETABLE EXTENSION - 30° OFFSET .....108

**ON OUTRIGGERS FULLY EXTENDED - OVER REAR**

MAIN BOOM.....109  
36' OFFSETABLE EXTENSION - 0° OFFSET .....110  
36' OFFSETABLE EXTENSION - 15° OFFSET .....111  
36' OFFSETABLE EXTENSION - 30° OFFSET .....112

**ON OUTRIGGERS 50% EXTENDED - 360°**

MAIN BOOM.....113  
36' OFFSETABLE EXTENSION - 0° OFFSET .....114  
36' OFFSETABLE EXTENSION - 15° OFFSET .....115  
36' OFFSETABLE EXTENSION - 30° OFFSET .....116

**ON OUTRIGGERS 0% EXTENDED - 360°**

MAIN BOOM.....117

**WITH NO COUNTERWEIGHT**

**ON OUTRIGGERS FULLY EXTENDED - 360°**

MAIN BOOM.....118  
36' OFFSETABLE EXTENSION - 0° OFFSET .....119  
36' OFFSETABLE EXTENSION - 15° OFFSET .....120  
36' OFFSETABLE EXTENSION - 30° OFFSET .....121

**ON OUTRIGGERS FULLY EXTENDED - OVER REAR**

MAIN BOOM.....122  
36' OFFSETABLE EXTENSION - 0° OFFSET .....123  
36' OFFSETABLE EXTENSION - 15° OFFSET .....124  
36' OFFSETABLE EXTENSION - 30° OFFSET .....125

**ON OUTRIGGERS 50% EXTENDED - 360°**

MAIN BOOM.....126  
36' OFFSETABLE EXTENSION - 0° OFFSET .....127  
36' OFFSETABLE EXTENSION - 15° OFFSET .....128  
36' OFFSETABLE EXTENSION - 30° OFFSET .....129

**ON OUTRIGGERS 0% EXTENDED - 360°**

MAIN BOOM.....130

## NOTES FOR LIFTING CAPACITIES

### GENERAL:

1. Rated loads as shown on lift chart pertain to this machine as originally manufactured and equipped. Modifications to the machine or use of optional equipment other than that specified can result in a reduction of capacity.
2. Construction equipment can be hazardous if improperly operated or maintained. Operation and maintenance of this machine shall be in compliance with the information in the Operator's and Safety Handbook, Service Manual and Parts Manual supplied with this machine. If these manuals are missing, order replacements from the manufacturer through the distributor.
3. The operator and other personnel associated with machine shall fully acquaint themselves with the latest American National Safety Standards (ASME/ANSI) for cranes.

### SETUP:

1. The machine shall be level and on a firm supporting surface. Depending on the nature of the supporting surface, it may be necessary to have structural supports under the outrigger floats or tires to spread the load to a larger bearing surface.
2. For outrigger operation, all outriggers shall be properly extended with tires raised free of crane weight before operating the boom or lifting loads.
3. When machine is equipped with center front stabilizer, the front stabilizer shall be set in accordance with instructions in Operator's and Safety Handbook.
4. When equipped with removable and/or extendible counterweight, the proper counterweight shall be installed and fully extended before and during operation.
5. With certain boom and hoist tackle combinations, maximum capacities may not be obtainable with standard cable lengths.
6. Unless approved by the crane manufacturer, do not travel with boom extension or jib erected unless otherwise noted. Refer to Operator's and Safety Handbook for job-site travel information.
7. Inspect vehicle and crane including crane operation prior to use each day.
8. Always level the crane with the level indicator located at each outrigger control station.

### OPERATION:

1. Rated loads at rated radius shall not be exceeded. Do not attempt to tip the machine to determine allowable loads. For clamshell, grapple, magnet or concrete bucket operation, weight of component and load must not exceed 80% of rated lifting capacities.
2. All rated loads have been tested to and meet the requirements of SAE J1063 - Cantilevered Boom Crane Structures - Method of Test, and do not exceed 85% of the tipping load on outriggers fully extended, and SAE J1289 - Mobile Crane Stability Ratings [ $1.25P < (T-0.1A)$ ] on outriggers 50% and 0% extended (fully retracted) as determined by SAE J765 - Crane Stability Test Code.
3. Rated loads include the weight of hookblock, slings and auxiliary lifting devices and their weights shall be subtracted from the listed rating to obtain the net load to be lifted. When more than the minimum required parts of line needed to pick the load are used, the additional rope weight as measured from the lower sheaves of the main boom nose shall be considered part of the load to be lifted. When both the hook block and headache ball are reeved, the lifting device that is NOT in use, including the line as measured from the lower sheave(s) of the nose supporting the unused device shall be considered part of the load.
4. Load ratings are based on freely suspended loads. No attempt shall be made to move a load horizontally on the ground in any direction.
5. The "maximum permissible wind speed" referenced in the capacity charts is the "3-second wind gust speed" measured at the boom tip height. These permissible wind speeds are based on the "wind resistance area of load" equal to 0.0059 square feet per pound of load. For larger "wind resistance area of load" refer to Operator's Manual for allowable reduced wind speeds. The maximum permissible in-service wind speed is 30 mph. Only with main boom on fully extended outriggers, lifting the load is allowed at appropriately reduced capacity when the wind speed is greater than 30 mph and less than or equal to 45 mph. Refer to Capacity Reduction Factors on page 7. For machines not in-service, the main boom should be retracted and lowered with the swing brake set when wind speeds (3-second gust speed at boom tip height) exceed 45 mph.
6. Rated loads are for lift crane service only.
7. Do not operate at a radius or boom length where capacities are not listed. At these positions, the machine may overturn without any load on the hook.
8. The maximum load which can be telescoped is not definable because of variations in loadings and crane maintenance, but it is safe to attempt retraction and extension of the boom within the limits of the capacity chart.
9. When the boom length or lift radius or both are between values listed, the smallest load shown at either the next larger radius or next longer or shorter boom length shall be used.

## NOTES FOR LIFTING CAPACITIES (continued)

### OPERATION: (continued)

10. For safe operation, the user shall make due allowances for his particular job conditions, such as: soft or uneven ground, out of level conditions, high winds, side loads, pendulum action, jerking or sudden stopping of loads, experience of personnel, two machine (tandem) lifts, traveling with loads, electric wires, obstacles, hazardous conditions, etc. Side pull on boom or extension is extremely dangerous.
11. When handling personnel, the requirements of the applicable national, state, and local regulations and safety codes must be met.
12. The boom angle before loading should be greater than the loaded boom angle to account for deflection.
13. When operating the machine in the "On Outriggers 50% Extended" mode, the outrigger beam pins must be engaged. When operating in the "On Outriggers 0% Extended" mode, the outrigger beams must be fully retracted. Failure to follow these precautions could result in structural damage or loss of stability of the machine.
14. Do not lift loads when boom is fully lowered. The Rated Capacity Limiter (RCL) senses pressure and will not provide warnings or lockout. The crane can become overloaded if lift cylinder(s) is fully retracted.
15. Use RCL/angle indicator as reference only.
16. Do not exceed extension capacities at any reduced boom length.
17. Capacities for the 36.8 ft. boom length shall be lifted with boom fully retracted. If boom is not fully retracted, capacities shall not exceed those shown for the 48 ft. boom length.
18. Always pay out load line before extending boom to avoid damaging loadline or crane structure or tripping anti-two-block system.
19. The maximum outrigger pad load is 76,000 lb (for a GVW of 26,000 lb - minimum chassis requirement).
20. Loads lifted must be within safe winch capacity. Multiple part rope reeving must be used on loads exceeding winch single part rated pull. Auxiliary boom head rated for single part use except multi-reeve group used for nominal rated load. Extensions are rated for single part use only.
21. Do not operate the boom over personnel or allow them to walk or stand beneath the boom or load.
22. Do not allow personnel on carrier deck or crane frame area when rotating crane.
23. Do not allow personnel to ride on hook, hook block, or load. Handling of personnel is only permitted with full extension of all outrigger beams. Use only National Crane approved baskets for boom attached platforms.
24. If using offset extension, do not use personnel basket with extension deployed at 15 or 30 degree offset.
25. Operate controls slowly and smoothly to avoid damage to crane or personnel.
26. Boom must be in carrying rack and outriggers fully retracted for travel.
27. Maintain a clearance of at least 10 feet between any part of the crane, loadline, or load, and any electrical line carrying up to 50,000 volts. One foot of clearance is required for every additional 30,000 volts or less.
28. When the 16,000 lb or 13,000 lb counterweight is installed and the crane is on fully retracted outriggers (7.8 ft or 2.38 m spread), do not exceed the "Max. Boom Angle for Indicated Length" shown on the load chart due to a risk of overturning backwards. The RCL system monitors this condition and restricts raising the boom to an angle higher than the "Max. Boom Angle for Indicated Length" published on the load chart for this configuration.

### DEFINITIONS:

1. Operating Radius: Horizontal distance from a projection of the axis of rotation to the supporting surface before loading to the center of the vertical hoist line or tackle with load applied.
2. Loaded Boom Angle (Shown in Parenthesis on Main Boom Capacity Chart): is the angle between the boom base section and the horizontal, after lifting the rated load at the rated radius with the rated boom length.
3. Working Area: Areas measured in a circular arc about the center line of rotation as shown on the working area diagram.
4. Freely Suspended Load: Load hanging free with no direct external force applied except by the lift cable.
5. Side Load: Horizontal force applied to the lifted load either on the ground or in the air.
6. No load stability limit: The stability limit radius is the radius beyond which it is not permitted to position the boom plus block configuration because machine can overturn without any load on the hook.
7. Structural length limit: An area where the boom, or the boom with jib deployed, cannot be extended because of structural limitations.



## CAPACITY REDUCTION FACTORS FOR WIND SPEED, $V(z)$ , GREATER THAN 30 mph

(Only for lifting with Main Boom on Fully Extended Outriggers, with or without Stowed Extension)

For wind speed (3-second gust speed at boom tip height),  $V(z) > 30 \text{ mph} \leq 45 \text{ mph}$ , the *Reduced Capacity* shall be calculated by multiplying the *Published Rated Capacity* by the following factors:

V (z) > 30 mph ≤ 45 mph	Main Boom Length in Feet										
	36.8	48	60	72	84	96	108	120	132	144	150.5
Factor	0.8	0.8	0.8	0.7	0.7	0.7	0.6	0	0	0	0

Wind Resistance Area of Load, ***Awr*** (*load*), shall not exceed Maximum Allowable Wind Resistance Area, ***Awr*** (*allow*).

Maximum Allowable Wind Resistance Area in ft<sup>2</sup>, ***Awr*** (*allow*) = 0.0059 x *Calculated Reduced Capacity* in lb.

Wind Resistance Area of load, ***Awr*** (*load*) = Projected Wind Area (*A<sub>p</sub>*) x Wind Drag Coefficient (*C<sub>d</sub>*) for the load.

For Wind Resistance Area of load, ***Awr*** (*load*) > Maximum Allowable Wind Resistance Area, ***Awr*** (*allow*) refer to guidance in the Crane Operator's Manual.

## WEIGHT REDUCTIONS FOR LOAD HANDLING DEVICES

Auxiliary boom nose (single sheave)	79 lb
Auxiliary boom nose (double sheave)	98 lb
HOOKBLOCKS and HEADACHE BALLS:	
60 ton, 5 sheave	1112 lb+
40 ton, 3 sheave	585 lb+
20 ton, 1 sheave	410 lb+
7 ton headache ball	238 lb+

+ Refer to rating plate for actual weight.

When lifting over boom extension, deduct total weight of all load handling devices reeved over main boom nose directly from boom extension capacity.

**NOTE:** All load handling devices and boom attachments are considered part of the load and suitable allowances **MUST BE MADE** for their combined weights. Weights are for National Crane furnished equipment.

## LINE PULLS AND REEVING INFORMATION

HOISTS	CABLE SPECS.	PERMISSIBLE LINE PULLS	NOMINAL CABLE LENGTH
Main & Aux	5/8" (16mm) 35x7 Class EEIPS, CS Min. breaking strength 56,420 lb	11,280 lb*	498 ft.
Main & Aux	18 mm Synthetic K-100 Hoist Rope (ISO) Min. breaking strength 63,700 lb	12,740 lb*	498 ft.

The approximate weight of 5/8" wire rope is 1.0 lb/ft.

The approximate weight of 18 mm synthetic rope is 0.16 lb/ft.

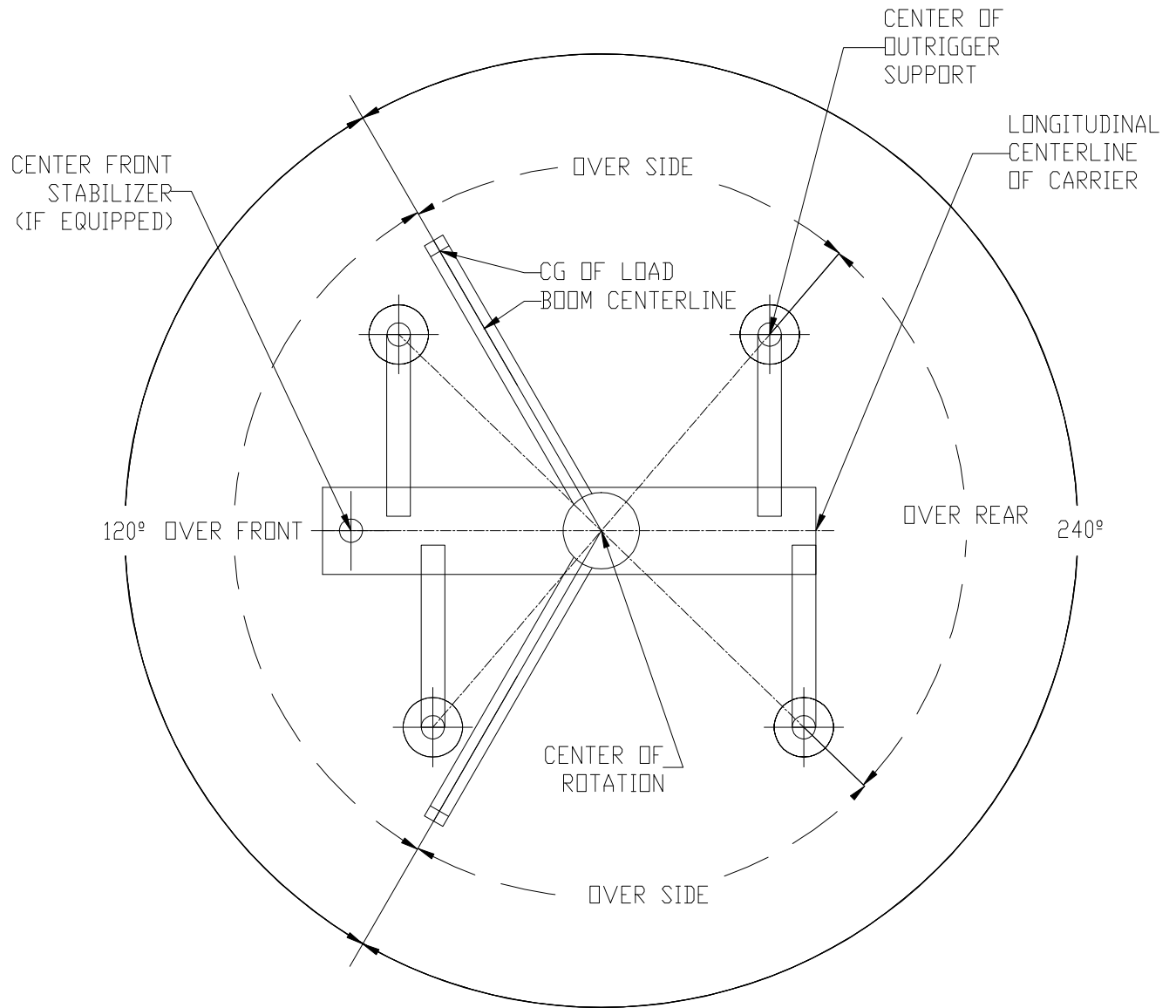
\* With certain boom and hoist tackle combinations, the allowable line pull may be limited by hoist performance. Refer to Hoist Performance table for lift planning to ensure adequate hoist performance on drum rope layer required.

Parts of line	1	2	3	4	5	6	7	8	9	10	11
Max. boom length (ft.) at max. elevation with stated rigging and load block at ground level	196	144	108	84	72	60	48	36.8	36.8	36.8	36.8
Low speed lift (lb)	11,280	22,500	33,750	45,000	56,250	67,500	78,750	90,000	100,000	111,250	120,000
High speed lift (lb)	5,000	10,000	15,000	20,000	25,000	30,000	35,000	40,000	45,000	50,000	55,000

Wire Rope Layer	Hoist Line Pulls		Drum Rope Capacity (ft)	
	Two Speed Hoist			
	Low	High	Layer	Total
	Available lb*	Available lb*		
1	17,250	7,040	78	78
2	15,450	6,310	87	165
3	14,000	5,720	96	261
4	12,790	5,220	105	366
5	11,780	4,810	114	480

Synthetic rope layer height may vary and may reduce available line pull per layer.

\* Refer to Line Pulls and Reeving Information table for maximum lifting capacity of wire rope.



BOLD LINES DETERMINE THE LIMITING WORKING POSITION OF ANY LOAD FOR OPERATION WITHIN WORKING AREAS INDICATED

WORKING AREA DIAGRAM

## Basket RCL Operating Codes

### **With 16,000 lb counterweight:**

0051 Basket without stowed extension  
0053 Basket with 26-45 ft. tele extension stowed  
0055 Basket with 36 ft. fixed extension stowed  
0063 Basket with 26' tele extension at 0° offset  
0064 Basket with 26-45 ft. tele extension extended at 0° offset  
0065 Basket with 36' fixed extension at 0° offset

### **With 13,000 lb counterweight:**

1051 Basket without stowed extension  
1053 Basket with 26-45 ft. tele extension stowed  
1055 Basket with 36 ft. fixed extension stowed  
1063 Basket with 26' tele extension at 0° offset  
1064 Basket with 26-45 ft. tele extension extended at 0° offset  
1065 Basket with 36' fixed extension at 0° offset

### **With 11,000 counterweight:**

2051 Basket without stowed extension  
2053 Basket with 26-45 ft. tele extension stowed  
2055 Basket with 36 ft. fixed extension stowed  
2063 Basket with 26' tele extension at 0° offset  
2064 Basket with 26-45 ft. tele extension extended at 0° offset  
2065 Basket with 36' fixed extension at 0° offset

### **With 10,000 lb counterweight:**

3051 Basket without stowed extension  
3053 Basket with 26-45 ft. tele extension stowed  
3055 Basket with 36 ft. fixed extension stowed  
3063 Basket with 26' tele extension at 0° offset  
3064 Basket with 26-45 ft. tele extension extended at 0° offset  
3065 Basket with 36' fixed extension at 0° offset

### **With 8,000 lb counterweight:**

4051 Basket without stowed extension  
4053 Basket with 26-45 ft. tele extension stowed  
4055 Basket with 36 ft. fixed extension stowed  
4063 Basket with 26' tele extension at 0° offset  
4064 Basket with 26-45 ft. tele extension extended at 0° offset  
4065 Basket with 36' fixed extension at 0° offset

### **With 6,000 counterweight:**

5051 Basket without stowed extension  
5053 Basket with 26-45 ft. tele extension stowed  
5055 Basket with 36 ft. fixed extension stowed  
5063 Basket with 26' tele extension at 0° offset  
5064 Basket with 26-45 ft. tele extension extended at 0° offset  
5065 Basket with 36' fixed extension at 0° offset

### **With 5,000 lb counterweight:**

6051 Basket without stowed extension  
6053 Basket with 26-45 ft. tele extension stowed  
6055 Basket with 36 ft. fixed extension stowed  
6063 Basket with 26' tele extension at 0° offset  
6064 Basket with 26-45 ft. tele extension extended at 0° offset  
6065 Basket with 36' fixed extension at 0° offset

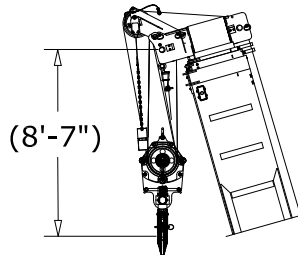
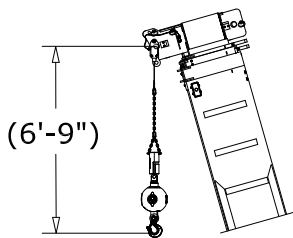
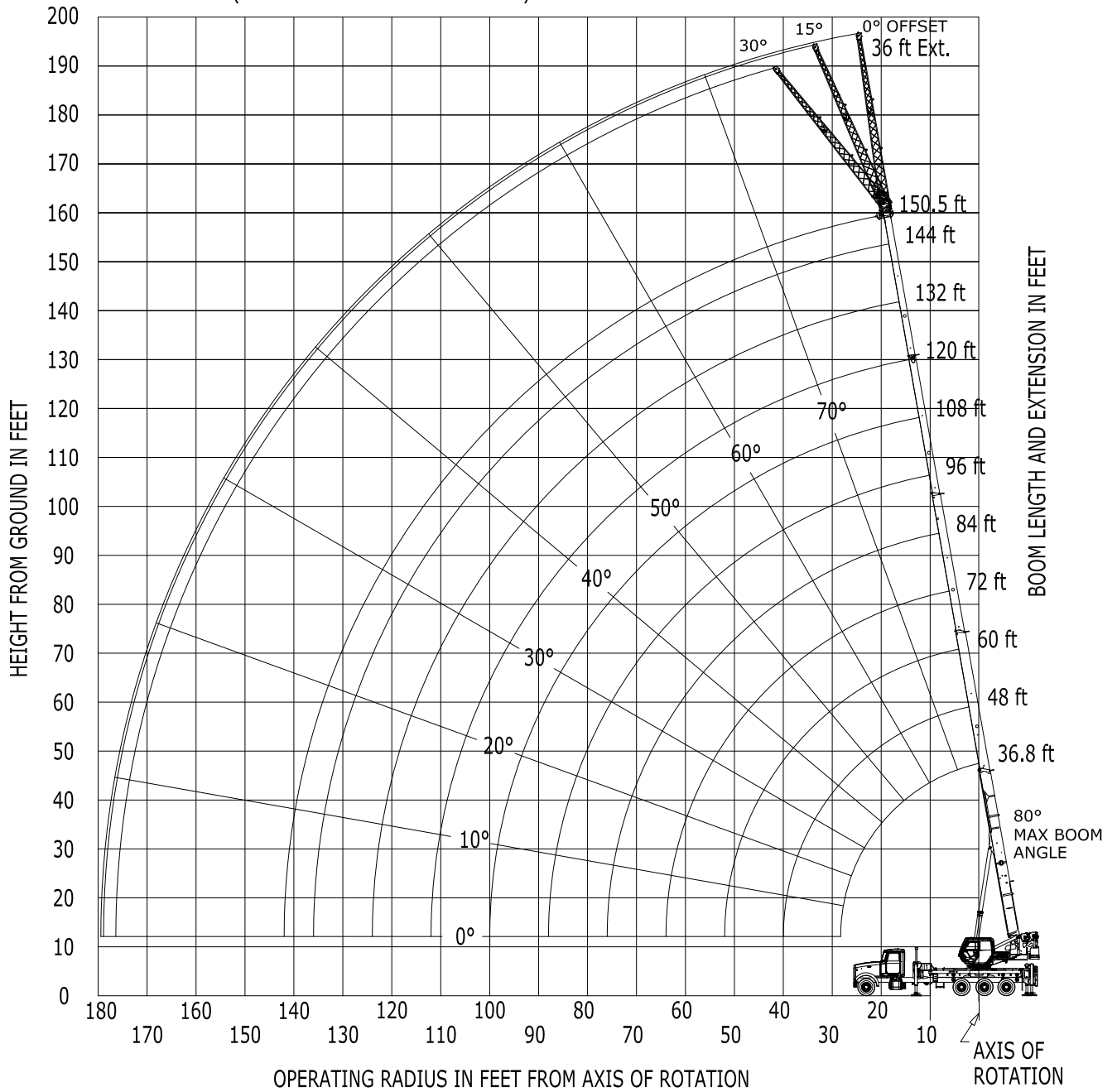
### **With 3,000 lb counterweight:**

7051 Basket without stowed extension  
7053 Basket with 26-45 ft. tele extension stowed  
7055 Basket with 36 ft. fixed extension stowed  
7063 Basket with 26' tele extension at 0° offset  
7064 Basket with 26-45 ft. tele extension extended at 0° offset  
7065 Basket with 36' fixed extension at 0° offset

### **Without counterweight:**

8051 Basket without stowed extension  
8053 Basket with 26-45 ft. tele extension stowed  
8055 Basket with 36 ft. fixed extension stowed  
8063 Basket with 26' tele extension at 0° offset  
8064 Basket with 26-45 ft. tele extension extended at 0° offset  
8065 Basket with 36' fixed extension at 0° offset

GEOMETRIC RANGE DIAGRAM  
(BOOM DEFLECTION NOT SHOWN) 80111719



DIMENSIONS ARE FOR LARGEST FURNISHED HOOK BLOCK & HEADACHE BALL, WITH ANTI-TWO BLOCK ACTIVATED.

\* THIS DRAWING SHOWS THE PHYSICAL REACH OF THE MACHINE. ALWAYS REFER TO LOAD CHART TO SEE WHICH PORTIONS OF THIS DIAGRAM ARE VALID FOR THE SPECIFIC MACHINE CONFIGURATION AND WHERE THE LOADS ARE STRUCTURALLY OR STABILITY LIMITED.

**RATED LIFTING CAPACITIES IN POUNDS**  
**37 FT. - 151 FT. BOOM**  
**WITH 16,000 LB. COUNTERWEIGHT**  
**ON OUTRIGGERS FULLY EXTENDED - 360°**

Radius in Feet	#0001										
	Main Boom Length in Feet										
	36.8	48-A	60-B	72-C	84-D	96-E	108-F	120-G	132-H	144-J	150.5
6	120,000 (74.1)	49,600 (78.5)									
8	102,000 (70.9)	49,600 (76.2)	49,600 (79.5)								
10	89,500 (67.6)	49,600 (73.9)	49,600 (77.7)								
12	79,250 (63.8)	49,600 (71.5)	49,600 (75.9)	49,600 (78.7)							
15	67,300 (57.8)	49,600 (67.8)	49,600 (73.1)	46,700 (76.5)	39,700 (78.9)						
20	53,150 (46.4)	49,600 (68.3)	49,600 (68.3)	42,050 (72.7)	36,100 (75.7)	30,250 (77.8)	23,550 (79.7)				
25	37,450 (30)	44,200 (52.4)	44,750 (62.7)	38,150 (68.7)	32,950 (72.5)	27,400 (75.1)	21,150 (77.3)	18,600 (79)			
30		37,000 (43.1)	37,600 (56.6)	34,950 (64.3)	30,250 (69.1)	24,700 (72.3)	19,100 (74.9)	16,950 (76.8)	14,500 (78.4)	11,300 (79.7)	
35		27,400 (29.8)	30,600 (49.8)	31,100 (59.3)	27,950 (65.5)	22,350 (69.4)	17,250 (72.4)	15,450 (74.6)	13,900 (76.5)	11,300 (78)	10,050 (78.8)
40			25,400 (42.1)	25,850 (53.9)	25,950 (61.2)	20,300 (66.4)	15,700 (69.8)	14,150 (72.4)	12,800 (74.5)	11,300 (76.2)	10,050 (77.1)
45			21,350 (31.5)	21,800 (48.1)	22,100 (56.8)	18,600 (62.8)	14,350 (67.1)	12,950 (70.1)	11,750 (72.5)	10,700 (74.4)	10,050 (75.4)
50			13,100 (15.9)	18,650 (41.6)	18,950 (52.1)	17,100 (59)	13,200 (64)	11,900 (67.8)	10,850 (70.4)	9,930 (72.6)	9,470 (73.6)
55				15,950 (32.7)	16,100 (47)	15,800 (55)	12,150 (60.7)	11,000 (65)	10,000 (68.3)	9,200 (70.7)	8,780 (71.8)
60				12,000 (21)	13,700 (41.3)	13,850 (50.7)	11,250 (57.2)	10,150 (62.1)	9,300 (65.9)	8,540 (68.8)	8,160 (70)
65					11,800 (33.6)	11,900 (46.2)	10,450 (53.6)	9,460 (59.1)	8,640 (63.3)	7,940 (66.7)	7,590 (68.1)
70					10,250 (24.1)	10,400 (41.2)	9,760 (49.7)	8,800 (55.9)	8,030 (60.6)	7,380 (64.3)	7,070 (66)
75					5,400 (8.3)	9,060 (34.3)	9,120 (45.6)	8,210 (52.6)	7,460 (57.7)	6,840 (61.8)	6,550 (63.7)
80						7,920 (26.3)	7,980 (41.1)	7,580 (49.1)	6,840 (54.8)	6,260 (59.3)	5,980 (61.3)
85						5,950 (15.3)	6,990 (35)	6,990 (45.3)	6,290 (51.7)	5,720 (56.7)	5,460 (58.8)
90							6,140 (27.9)	6,190 (41.2)	5,780 (48.5)	5,240 (53.9)	4,990 (56.3)
95							5,390 (19)	5,430 (35.6)	5,310 (45)	4,790 (51.1)	4,550 (53.7)
100								4,760 (29.3)	4,800 (41.2)	4,380 (48)	4,150 (50.9)
105								4,170 (21.7)	4,200 (36.1)	4,000 (44.8)	3,730 (48)
110								2,440 (10.7)	3,660 (30.3)	3,640 (41.3)	3,340 (45)
115									3,190 (23.7)	3,190 (36.5)	2,980 (41.6)
120									2,590 (15.1)	2,750 (31.3)	2,650 (37)
125										2,360 (25.4)	2,310 (32.1)
130										2,000 (18.1)	1,950 (26.5)
135											1,620 (19.9)
140											720 (10.5)
Min. boom angle for indicated length (no load)								9.5°	9.5°	9.5°	9.5°
Max. boom length at 0° boom angle (no load)								107.6 ft.			

#RCL operating code. Refer to Operator's Manual for operating instructions.

NOTE: ( ) Boom angles are in degrees.

Boom Angle	Main Boom Length in Feet										
	36.8	48-A	60-B	72-C	84-D	96-E	108-F	120-G	132-H	144-J	150.5
0°	14,400 (28.3)	10,000 (39.5)	6,570 (51.5)	4,360 (63.5)	2,820 (75.5)	1,690 (87.5)	820 (99.5)				

NOTE: ( ) Reference radii in feet.

Rated Load Reductions from main boom capacity when lifting over main boom nose with:											
36' lattice	2,300	2,300	2,300	2,300	2,300	2,300	2,300	2,300	2,300	2,300	2,250

80131195

**RATED LIFTING CAPACITIES IN POUNDS  
36 FT. FIXED OFFSETABLE BOOM EXTENSION  
WITH 16,000 LB. COUNTERWEIGHT  
ON OUTRIGGERS FULLY EXTENDED - 360°  
36 FT. EXTENSION AT 0° OFFSET ANGLE**

Radius in Feet	#0015			
	Main Boom Length in Feet			
	120-G	132-H	144-J	150.5
30	7,720 (80)			
35	7,720 (78.4)	6,370 (79.6)		
40	7,720 (76.8)	6,370 (78.1)	5,200 (79.2)	4,420 (79.8)
45	7,720 (75.2)	6,370 (76.6)	5,200 (77.8)	4,420 (78.5)
50	7,670 (73.5)	6,370 (75.1)	5,200 (76.4)	4,420 (77.1)
55	7,260 (71.8)	6,370 (73.6)	5,200 (75)	4,420 (75.8)
60	6,880 (70.1)	6,370 (72)	5,200 (73.6)	4,420 (74.4)
65	6,520 (68.4)	6,260 (70.5)	5,200 (72.2)	4,420 (73.1)
70	6,180 (66.6)	5,960 (68.8)	5,200 (70.7)	4,420 (71.7)
75	5,870 (64.4)	5,690 (67.2)	5,200 (69.2)	4,420 (70.3)
80	5,580 (62.1)	5,400 (65.2)	4,990 (67.7)	4,420 (68.8)
85	5,310 (59.8)	5,060 (63.2)	4,680 (65.9)	4,420 (67.3)
90	5,070 (57.4)	4,750 (61)	4,380 (64)	4,200 (65.5)
95	4,830 (54.9)	4,450 (58.8)	4,100 (62.1)	3,930 (63.7)
100	4,540 (52.4)	4,170 (56.6)	3,840 (60)	3,670 (61.8)
105	4,270 (49.7)	3,920 (54.3)	3,600 (58)	3,430 (59.8)
110	4,020 (46.9)	3,680 (51.9)	3,370 (55.9)	3,070 (57.8)
115	3,790 (44)	3,450 (49.4)	3,150 (53.7)	2,730 (55.7)
120	3,480 (40.8)	3,240 (46.7)	2,900 (51.4)	2,420 (53.6)
125	3,080 (36.3)	2,950 (44)	2,640 (49.1)	2,130 (51.4)
130	2,710 (31.5)	2,580 (40.9)	2,400 (46.6)	1,870 (49.2)
135	2,390 (26.2)	2,250 (36.8)	2,130 (44)	1,630 (46.8)
140	2,090 (20)	1,940 (32.3)	1,820 (41.2)	1,400 (44.3)
145	1,320 (11.7)	1,660 (27.4)	1,540 (37.2)	1,190 (41.6)
150		1,410 (21.8)	1,270 (33)	990 (37.8)
155		1,180 (14.9)	1,030 (28.5)	810 (33.7)
160			810 (23.4)	640 (29.3)
165			610 (17.3)	
Min. boom angle for indicated length (no load)	10.7°	13.9°	16.3°	28.3°
Max. boom length at 0° boom angle (no load)	47.6 ft.	47.6 ft.	47.6 ft.	47.6 ft.

#RCL operating code. Refer to Operator's Manual for operating instructions. 80131235\_0

NOTE: ( ) Boom angles are in degrees.

**BOOM EXTENSION CAPACITY NOTES:**

1. 36 ft. extension length may be used for single line lifting service only.
2. For boom angles not shown, use the rating of the next lower boom angle.  
**WARNING:** Operation of this machine with heavier loads than the capacities listed is strictly prohibited. Machine tipping with boom extension occurs rapidly and without advance warning.
3. Boom angle is the angle above or below horizontal of the longitudinal axis of the boom base section after lifting rated load.
4. Capacities listed are with outriggers properly extended and vertical jacks set only.

**RATED LIFTING CAPACITIES IN POUNDS  
36 FT. FIXED OFFSETABLE BOOM EXTENSION  
WITH 16,000 LB. COUNTERWEIGHT  
ON OUTRIGGERS FULLY EXTENDED - 360°  
36 FT. EXTENSION AT 15° OFFSET ANGLE**

Radius in Feet	#0020			
	Main Boom Length in Feet			
	120-G	132-H	144-J	150.5
40	7,000 (79.5)			
45	6,730 (77.8)			
50	6,540 (76.2)	6,400 (77.6)		
55	6,360 (74.5)	6,150 (76.1)	5,590 (77.4)	4,940 (78)
60	6,100 (72.8)	5,880 (74.5)	5,590 (75.9)	4,940 (76.7)
65	5,810 (71)	5,620 (72.9)	5,370 (74.5)	4,940 (75.3)
70	5,550 (69.2)	5,380 (71.3)	5,160 (73)	4,940 (73.9)
75	5,300 (67.4)	5,150 (69.6)	4,960 (71.6)	4,840 (72.5)
80	5,070 (65.3)	4,930 (68)	4,760 (70)	4,660 (71.1)
85	4,860 (63)	4,730 (66.1)	4,580 (68.5)	4,480 (69.6)
90	4,660 (60.6)	4,550 (64)	4,400 (66.9)	4,250 (68.1)
95	4,480 (58.1)	4,370 (61.8)	4,150 (64.9)	3,980 (66.4)
100	4,310 (55.6)	4,200 (59.5)	3,890 (62.9)	3,730 (64.5)
105	4,150 (52.9)	3,950 (57.2)	3,650 (60.8)	3,500 (62.5)
110	4,010 (50.1)	3,710 (54.8)	3,420 (58.7)	3,270 (60.5)
115	3,810 (47.1)	3,490 (52.3)	3,200 (56.5)	2,940 (58.4)
120	3,600 (43.9)	3,280 (49.7)	3,000 (54.2)	2,610 (56.3)
125	3,280 (40.3)	3,080 (46.9)	2,810 (51.8)	2,320 (54.1)
130	2,890 (35.2)	2,800 (43.9)	2,560 (49.3)	2,040 (51.8)
135	2,520 (29.6)	2,440 (40.5)	2,320 (46.7)	1,780 (49.4)
140	2,190 (23)	2,110 (35.8)	2,020 (43.9)	1,550 (46.9)
145		1,800 (30.6)	1,720 (40.7)	1,320 (44.2)
150		1,510 (24.7)	1,430 (36.3)	1,110 (41.1)
155		1,250 (17.3)	1,160 (31.5)	910 (36.9)
160			920 (26.1)	730 (32.3)
165			690 (19.7)	550 (27.2)
Min. boom angle for indicated length (no load)	16.3°	16.3°	18.7°	26.2°
Max. boom length at 0° boom angle (no load)	47.6 ft.	47.6 ft.	47.6 ft.	47.6 ft.

#RCL operating code. Refer to Operator's Manual for operating instructions. 80131235\_15

NOTE: ( ) Boom angles are in degrees.

**BOOM EXTENSION CAPACITY NOTES:**

- 36 ft. extension length may be used for single line lifting service only.
- For boom angles not shown, use the rating of the next lower boom angle.  
**WARNING:** Operation of this machine with heavier loads than the capacities listed is strictly prohibited. Machine tipping with boom extension occurs rapidly and without advance warning.
- Boom angle is the angle above or below horizontal of the longitudinal axis of the boom base section after lifting rated load.
- Capacities listed are with outriggers properly extended and vertical jacks set only.



**RATED LIFTING CAPACITIES IN POUNDS  
36 FT. FIXED OFFSETABLE BOOM EXTENSION  
WITH 16,000 LB. COUNTERWEIGHT  
ON OUTRIGGERS FULLY EXTENDED - 360°  
36 FT. EXTENSION AT 30° OFFSET ANGLE**

Radius in Feet	#0025			
	Main Boom Length in Feet			
	120-G	132-H	144-J	150.5
50	5,660 (78.6)			
55	5,530 (76.9)	5,440 (78.2)		
60	5,420 (75.1)	5,350 (76.6)	5,190 (78)	
65	5,320 (73.3)	5,190 (75)	5,000 (76.5)	4,870 (77.2)
70	5,140 (71.5)	4,990 (73.4)	4,810 (75)	4,700 (75.8)
75	4,940 (69.6)	4,800 (71.7)	4,640 (73.5)	4,540 (74.3)
80	4,760 (67.7)	4,630 (70)	4,470 (72)	4,380 (72.9)
85	4,580 (65.5)	4,460 (68.2)	4,320 (70.4)	4,230 (71.4)
90	4,420 (63.1)	4,310 (66.4)	4,170 (68.8)	4,090 (69.9)
95	4,270 (60.6)	4,160 (64.1)	4,030 (67.1)	3,960 (68.3)
100	4,130 (57.9)	4,020 (61.8)	3,900 (65)	3,820 (66.6)
105	4,010 (55.2)	3,900 (59.4)	3,730 (62.9)	3,580 (64.6)
110	3,890 (52.2)	3,780 (56.9)	3,500 (60.7)	3,360 (62.5)
115	3,780 (49.2)	3,550 (54.3)	3,280 (58.5)	3,100 (60.4)
120	3,650 (45.8)	3,340 (51.6)	3,070 (56.1)	2,760 (58.2)
125	3,420 (42.2)	3,140 (48.7)	2,880 (53.7)	2,450 (56)
130	2,990 (37)	2,950 (45.6)	2,690 (51.1)	2,170 (53.6)
135		2,560 (42.3)	2,440 (48.4)	1,900 (51.1)
140		2,200 (37.4)	2,160 (45.5)	1,640 (48.5)
145			1,830 (42.4)	1,410 (45.7)
150			1,520 (37.8)	1,180 (42.7)
155				970 (38.4)
Min. boom angle for indicated length (no load)	36°	36.4°	36.8°	37.4°
Max. boom length at 0° boom angle (no load)	47.6 ft.	47.6 ft.	47.6 ft.	47.6 ft.

#RCL operating code. Refer to Operator's Manual for operating instructions. 80131235\_30

NOTE: ( ) Boom angles are in degrees.

**BOOM EXTENSION CAPACITY NOTES:**

- 36 ft. extension length may be used for single line lifting service only.
- For boom angles not shown, use the rating of the next lower boom angle.  
**WARNING:** Operation of this machine with heavier loads than the capacities listed is strictly prohibited. Machine tipping with boom extension occurs rapidly and without advance warning.
- Boom angle is the angle above or below horizontal of the longitudinal axis of the boom base section after lifting rated load.
- Capacities listed are with outriggers properly extended and vertical jacks set only.

**RATED LIFTING CAPACITIES IN POUNDS**  
**37 FT. - 151 FT. BOOM**  
**WITH 16,000 LB. COUNTERWEIGHT**  
**ON OUTRIGGERS FULLY EXTENDED - OVER REAR**

Radius in Feet	#0026										
	Main Boom Length in Feet										
	36.8	48-A	60-B	72-C	84-D	96-E	108-F	120-G	132-H	144-J	150.5
6	120,000 (74.1)	49,600 (78.5)									
8	107,000 (70.9)	49,600 (76.2)	49,600 (79.5)								
10	96,450 (67.6)	49,600 (73.9)	49,600 (77.7)								
12	86,550 (63.8)	49,600 (71.5)	49,600 (75.9)	49,600 (78.7)							
15	74,700 (57.8)	49,600 (67.8)	49,600 (73.1)	46,700 (76.5)	39,700 (78.9)						
20	60,300 (46.4)	49,600 (60.5)	49,600 (68.3)	42,050 (72.7)	36,100 (75.7)	30,250 (77.8)	23,550 (79.7)				
25	37,450 (30)	49,600 (52.4)	45,850 (62.7)	38,150 (68.7)	32,950 (72.5)	27,400 (75.1)	21,150 (77.3)	18,600 (79)			
30		39,550 (43.1)	40,100 (56.6)	34,950 (64.3)	30,250 (69.1)	24,700 (72.3)	19,100 (74.9)	16,950 (76.8)	14,500 (78.4)	11,300 (79.7)	
35		27,400 (29.8)	33,000 (49.8)	32,250 (59.3)	27,950 (65.5)	22,350 (69.4)	17,250 (72.4)	15,450 (74.6)	13,900 (76.5)	11,300 (78)	10,050 (78.8)
40			27,700 (42.1)	28,000 (53.9)	25,950 (61.2)	20,300 (66.4)	15,700 (69.8)	14,150 (72.4)	12,800 (74.5)	11,300 (76.2)	10,050 (77.1)
45			22,300 (31.5)	23,900 (48.1)	24,100 (56.8)	18,600 (62.8)	14,350 (67.1)	12,950 (70.1)	11,750 (72.5)	10,700 (74.4)	10,050 (75.4)
50			13,100 (15.9)	20,650 (41.6)	20,850 (52.1)	17,100 (59)	13,200 (64)	11,900 (67.8)	10,850 (70.4)	9,930 (72.6)	9,470 (73.6)
55				17,900 (32.7)	18,000 (47)	15,800 (55)	12,150 (60.7)	11,000 (65)	10,000 (68.3)	9,200 (70.7)	8,780 (71.8)
60				12,000 (21)	15,550 (41.3)	14,650 (50.7)	11,250 (57.2)	10,150 (62.1)	9,300 (65.9)	8,540 (68.8)	8,160 (70)
65					13,500 (33.6)	13,600 (46.2)	10,450 (53.6)	9,460 (59.1)	8,640 (63.3)	7,940 (66.7)	7,590 (68.1)
70					11,150 (24.1)	11,900 (41.2)	9,760 (49.7)	8,800 (55.9)	8,030 (60.6)	7,380 (64.3)	7,070 (66)
75					5,400 (8.3)	10,550 (34.3)	9,120 (45.6)	8,210 (52.6)	7,460 (57.7)	6,840 (61.8)	6,550 (63.7)
80						9,350 (26.3)	8,530 (41.1)	7,580 (49.1)	6,840 (54.8)	6,260 (59.3)	5,980 (61.3)
85						5,950 (15.3)	7,900 (35)	6,990 (45.3)	6,290 (51.7)	5,720 (56.7)	5,460 (58.8)
90							7,340 (27.9)	6,450 (41.2)	5,780 (48.5)	5,240 (53.9)	4,990 (56.3)
95							5,620 (19)	5,960 (35.6)	5,310 (45)	4,790 (51.1)	4,550 (53.7)
100								5,520 (29.3)	4,880 (41.2)	4,380 (48)	4,150 (50.9)
105								5,110 (21.7)	4,490 (36.1)	4,000 (44.8)	3,730 (48)
110								2,440 (10.7)	4,120 (30.3)	3,640 (41.3)	3,340 (45)
115									3,780 (23.7)	3,320 (36.5)	2,980 (41.6)
120									2,590 (15.1)	3,010 (31.3)	2,650 (37)
125										2,730 (25.4)	2,350 (32.1)
130										2,460 (18.1)	2,070 (26.5)
135											1,800 (19.9)
140											720 (10.5)
Min. boom angle for indicated length (no load)								9.5°	9.5°	9.5°	9.5°
Max. boom length at 0° boom angle (no load)								107.6 ft.			

#RCL operating code. Refer to Operator's Manual for operating instructions.

NOTE: ( ) Boom angles are in degrees.

Boom Angle	Main Boom Length in Feet										
	36.8	48-A	60-B	72-C	84-D	96-E	108-F	120-G	132-H	144-J	150.5
0°	14,400 (28.3)	10,000 (39.5)	6,570 (51.5)	4,360 (63.5)	2,820 (75.5)	1,690 (87.5)	820 (99.5)				

NOTE: ( ) Reference radii in feet.

Rated Load Reductions from main boom capacity when lifting over main boom nose with:										
36' lattice	2,650	2,300	2,300	2,300	2,300	2,300	2,300	2,300	2,300	2,250

80131196

**RATED LIFTING CAPACITIES IN POUNDS  
36 FT. FIXED OFFSETABLE BOOM EXTENSION  
WITH 16,000 LB. COUNTERWEIGHT  
ON OUTRIGGERS FULLY EXTENDED - OVER REAR  
36 FT. EXTENSION AT 0° OFFSET ANGLE**

Radius in Feet	#0040			
	Main Boom Length in Feet			
	120-G	132-H	144-J	150.5
30	7,720 (80)			
35	7,720 (78.4)	6,370 (79.6)		
40	7,720 (76.8)	6,370 (78.1)	5,200 (79.2)	4,420 (79.8)
45	7,720 (75.2)	6,370 (76.6)	5,200 (77.8)	4,420 (78.5)
50	7,670 (73.5)	6,370 (75.1)	5,200 (76.4)	4,420 (77.1)
55	7,260 (71.8)	6,370 (73.6)	5,200 (75)	4,420 (75.8)
60	6,880 (70.1)	6,370 (72)	5,200 (73.6)	4,420 (74.4)
65	6,520 (68.4)	6,260 (70.5)	5,200 (72.2)	4,420 (73.1)
70	6,180 (66.6)	5,960 (68.8)	5,200 (70.7)	4,420 (71.7)
75	5,870 (64.4)	5,690 (67.2)	5,200 (69.2)	4,420 (70.3)
80	5,580 (62.1)	5,400 (65.2)	4,990 (67.7)	4,420 (68.8)
85	5,310 (59.8)	5,060 (63.2)	4,680 (65.9)	4,420 (67.3)
90	5,070 (57.4)	4,750 (61)	4,380 (64)	4,200 (65.5)
95	4,830 (54.9)	4,450 (58.8)	4,100 (62.1)	3,930 (63.7)
100	4,540 (52.4)	4,170 (56.6)	3,840 (60)	3,670 (61.8)
105	4,270 (49.7)	3,920 (54.3)	3,600 (58)	3,430 (59.8)
110	4,020 (46.9)	3,680 (51.9)	3,370 (55.9)	3,070 (57.8)
115	3,790 (44)	3,450 (49.4)	3,150 (53.7)	2,730 (55.7)
120	3,570 (40.8)	3,240 (46.7)	2,900 (51.4)	2,420 (53.6)
125	3,370 (36.3)	3,030 (44)	2,640 (49.1)	2,130 (51.4)
130	3,180 (31.5)	2,780 (40.9)	2,400 (46.6)	1,870 (49.2)
135	2,990 (26.2)	2,550 (36.8)	2,170 (44)	1,630 (46.8)
140	2,770 (20)	2,330 (32.3)	1,960 (41.2)	1,400 (44.3)
145	1,320 (11.7)	2,120 (27.4)	1,750 (37.2)	1,190 (41.6)
150		1,920 (21.8)	1,560 (33)	990 (37.8)
155		1,240 (14.9)	1,380 (28.5)	810 (33.7)
160			1,200 (23.4)	640 (29.3)
165			1,040 (17.3)	
Min. boom angle for indicated length (no load)	10.7°	13.9°	16.3°	28.3°
Max. boom length at 0° boom angle (no load)	47.6 ft.	47.6 ft.	47.6 ft.	47.6 ft.

#RCL operating code. Refer to Operator's Manual for operating instructions.

80131236\_0

NOTE: ( ) Boom angles are in degrees.

**BOOM EXTENSION CAPACITY NOTES:**

1. 36 ft. extension length may be used for single line lifting service only.
2. For boom angles not shown, use the rating of the next lower boom angle.

**WARNING:** Operation of this machine with heavier loads than the capacities listed is strictly prohibited. Machine tipping with boom extension occurs rapidly and without advance warning.

3. Boom angle is the angle above or below horizontal of the longitudinal axis of the boom base section after lifting rated load.
4. Capacities listed are with outriggers properly extended and vertical jacks set only.

**RATED LIFTING CAPACITIES IN POUNDS  
36 FT. FIXED OFFSETABLE BOOM EXTENSION  
WITH 16,000 LB. COUNTERWEIGHT  
ON OUTRIGGERS FULLY EXTENDED - OVER REAR  
36 FT. EXTENSION AT 15° OFFSET ANGLE**

Radius in Feet	#0045			
	Main Boom Length in Feet			
	120-G	132-H	144-J	150.5
40	7,000 (79.5)			
45	6,730 (77.8)			
50	6,540 (76.2)	6,400 (77.6)		
55	6,360 (74.5)	6,150 (76.1)	5,590 (77.4)	4,940 (78)
60	6,100 (72.8)	5,880 (74.5)	5,590 (75.9)	4,940 (76.7)
65	5,810 (71)	5,620 (72.9)	5,370 (74.5)	4,940 (75.3)
70	5,550 (69.2)	5,380 (71.3)	5,160 (73)	4,940 (73.9)
75	5,300 (67.4)	5,150 (69.6)	4,960 (71.6)	4,840 (72.5)
80	5,070 (65.3)	4,930 (68)	4,760 (70)	4,660 (71.1)
85	4,860 (63)	4,730 (66.1)	4,580 (68.5)	4,480 (69.6)
90	4,660 (60.6)	4,550 (64)	4,400 (66.9)	4,250 (68.1)
95	4,480 (58.1)	4,370 (61.8)	4,150 (64.9)	3,980 (66.4)
100	4,310 (55.6)	4,200 (59.5)	3,890 (62.9)	3,730 (64.5)
105	4,150 (52.9)	3,950 (57.2)	3,650 (60.8)	3,500 (62.5)
110	4,010 (50.1)	3,710 (54.8)	3,420 (58.7)	3,270 (60.5)
115	3,810 (47.1)	3,490 (52.3)	3,200 (56.5)	2,940 (58.4)
120	3,600 (43.9)	3,280 (49.7)	3,000 (54.2)	2,610 (56.3)
125	3,400 (40.3)	3,080 (46.9)	2,810 (51.8)	2,320 (54.1)
130	3,210 (35.2)	2,900 (43.9)	2,560 (49.3)	2,040 (51.8)
135	3,030 (29.6)	2,660 (40.5)	2,320 (46.7)	1,780 (49.4)
140	2,840 (23)	2,430 (35.8)	2,090 (43.9)	1,550 (46.9)
145		2,210 (30.6)	1,870 (40.7)	1,320 (44.2)
150		1,990 (24.7)	1,660 (36.3)	1,110 (41.1)
155		1,670 (17.3)	1,460 (31.5)	910 (36.9)
160			1,280 (26.1)	730 (32.3)
165			1,090 (19.7)	550 (27.2)
Min. boom angle for indicated length (no load)	16.3°	16.3°	18.7°	26.2°
Max. boom length at 0° boom angle (no load)	47.6 ft.	47.6 ft.	47.6 ft.	47.6 ft.

#RCL operating code. Refer to Operator's Manual for operating instructions. 80131236\_15

NOTE: ( ) Boom angles are in degrees.

**BOOM EXTENSION CAPACITY NOTES:**

1. 36 ft. extension length may be used for single line lifting service only.
2. For boom angles not shown, use the rating of the next lower boom angle.

**WARNING:** Operation of this machine with heavier loads than the capacities listed is strictly prohibited. Machine tipping with boom extension occurs rapidly and without advance warning.

3. Boom angle is the angle above or below horizontal of the longitudinal axis of the boom base section after lifting rated load.
4. Capacities listed are with outriggers properly extended and vertical jacks set only.

**RATED LIFTING CAPACITIES IN POUNDS  
36 FT. FIXED OFFSETABLE BOOM EXTENSION  
WITH 16,000 LB. COUNTERWEIGHT  
ON OUTRIGGERS FULLY EXTENDED - OVER REAR  
36 FT. EXTENSION AT 30° OFFSET ANGLE**

Radius in Feet	#0050			
	Main Boom Length in Feet			
	120-G	132-H	144-J	150.5
50	5,660 (78.6)			
55	5,530 (76.9)	5,440 (78.2)		
60	5,420 (75.1)	5,350 (76.6)	5,190 (78)	
65	5,320 (73.3)	5,190 (75)	5,000 (76.5)	4,870 (77.2)
70	5,140 (71.5)	4,990 (73.4)	4,810 (75)	4,700 (75.8)
75	4,940 (69.6)	4,800 (71.7)	4,640 (73.5)	4,540 (74.3)
80	4,760 (67.7)	4,630 (70)	4,470 (72)	4,380 (72.9)
85	4,580 (65.5)	4,460 (68.2)	4,320 (70.4)	4,230 (71.4)
90	4,420 (63.1)	4,310 (66.4)	4,170 (68.8)	4,090 (69.9)
95	4,270 (60.6)	4,160 (64.1)	4,030 (67.1)	3,960 (68.3)
100	4,130 (57.9)	4,020 (61.8)	3,900 (65)	3,820 (66.6)
105	4,010 (55.2)	3,900 (59.4)	3,730 (62.9)	3,580 (64.6)
110	3,890 (52.2)	3,780 (56.9)	3,500 (60.7)	3,360 (62.5)
115	3,780 (49.2)	3,550 (54.3)	3,280 (58.5)	3,100 (60.4)
120	3,650 (45.8)	3,340 (51.6)	3,070 (56.1)	2,760 (58.2)
125	3,440 (42.2)	3,140 (48.7)	2,880 (53.7)	2,450 (56)
130	3,250 (37)	2,950 (45.6)	2,690 (51.1)	2,170 (53.6)
135		2,760 (42.3)	2,440 (48.4)	1,900 (51.1)
140		2,510 (37.4)	2,190 (45.5)	1,640 (48.5)
145			1,960 (42.4)	1,410 (45.7)
150			1,730 (37.8)	1,180 (42.7)
155				970 (38.4)
Min. boom angle for indicated length (no load)	36°	36.4°	36.8°	37.4°
Max. boom length at 0° boom angle (no load)	47.6 ft.	47.6 ft.	47.6 ft.	47.6 ft.

#RCL operating code. Refer to Operator's Manual for operating instructions. 80131236\_30

NOTE: ( ) Boom angles are in degrees.

**BOOM EXTENSION CAPACITY NOTES:**

1. 36 ft. extension length may be used for single line lifting service only.
2. For boom angles not shown, use the rating of the next lower boom angle.

**WARNING:** Operation of this machine with heavier loads than the capacities listed is strictly prohibited. Machine tipping with boom extension occurs rapidly and without advance warning.

3. Boom angle is the angle above or below horizontal of the longitudinal axis of the boom base section after lifting rated load.
4. Capacities listed are with outriggers properly extended and vertical jacks set only.

**RATED LIFTING CAPACITIES IN POUNDS**  
**37 FT. - 151 FT. BOOM**  
**WITH 16,000 LB. COUNTERWEIGHT**  
**ON OUTRIGGERS 50% EXTENDED - 360°**

Radius in Feet	#0401										
	Main Boom Length in Feet										
	36.8	48-A	60-B	72-C	84-D	96-E	108-F	120-G	132-H	144-J	150.5
6	120,000 (74.1)	49,600 (78.5)									
8	107,000 (70.9)	49,600 (76.2)	49,600 (79.5)								
10	96,850 (67.6)	49,600 (73.9)	49,600 (77.7)								
12	86,100 (63.8)	49,600 (71.5)	49,600 (75.9)	49,600 (78.7)							
15	72,950 (57.8)	49,600 (67.8)	49,600 (73.1)	46,700 (76.5)	39,700 (78.9)						
20	47,750 (46.4)	47,550 (60.5)	45,650 (68.3)	42,050 (72.7)	36,100 (75.7)	30,250 (77.8)	23,550 (79.7)				
25	31,250 (30)	32,300 (52.4)	32,800 (62.7)	31,800 (68.7)	30,800 (72.5)	27,400 (75.1)	21,150 (77.3)	18,600 (79)			
30		23,250 (43.1)	23,750 (56.6)	24,100 (64.3)	23,700 (69.1)	23,100 (72.3)	19,100 (74.9)	16,950 (76.8)	14,500 (78.4)	11,300 (79.7)	
35		17,450 (29.8)	18,100 (49.8)	18,400 (59.3)	18,550 (65.5)	18,450 (69.4)	17,250 (72.4)	15,450 (74.6)	13,900 (76.5)	11,300 (78)	10,050 (78.8)
40			14,100 (42.1)	14,400 (53.9)	14,550 (61.2)	14,700 (66.4)	14,700 (69.8)	14,150 (72.4)	12,800 (74.5)	11,300 (76.2)	10,050 (77.1)
45			11,200 (31.5)	11,500 (48.1)	11,650 (56.8)	11,800 (62.8)	11,850 (67.1)	11,900 (70.1)	11,700 (72.5)	10,700 (74.4)	10,050 (75.4)
50			8,940 (15.9)	9,350 (41.6)	9,540 (52.1)	9,670 (59)	9,750 (64)	9,820 (67.8)	9,810 (70.4)	9,610 (72.6)	9,450 (73.6)
55				7,560 (32.7)	7,790 (47)	7,920 (55)	8,000 (60.7)	8,060 (65)	8,110 (68.3)	8,080 (70.7)	7,940 (71.8)
60				6,110 (21)	6,350 (41.3)	6,500 (50.7)	6,580 (57.2)	6,640 (62.1)	6,690 (65.9)	6,710 (68.8)	6,670 (70)
65					5,160 (33.6)	5,340 (46.2)	5,410 (53.6)	5,470 (59.1)	5,520 (63.3)	5,540 (66.7)	5,500 (68.1)
70					4,160 (24.1)	4,340 (41.2)	4,430 (49.7)	4,490 (55.9)	4,540 (60.6)	4,560 (64.3)	4,510 (66)
75					3,320 (8.3)	3,480 (34.3)	3,600 (45.6)	3,660 (52.6)	3,700 (57.7)	3,720 (61.8)	3,680 (63.7)
80						2,750 (26.3)	2,860 (41.1)	2,940 (49.1)	2,980 (54.8)	3,000 (59.3)	2,960 (61.3)
85						2,120 (15.3)	2,220 (35)	2,310 (45.3)	2,360 (51.7)	2,380 (56.7)	2,330 (58.8)
90							1,660 (27.9)	1,750 (41.2)	1,810 (48.5)	1,830 (53.9)	1,790 (56.3)
95							1,170 (19)	1,250 (35.6)	1,320 (45)	1,340 (51.1)	1,300 (53.7)
100								810 (29.3)	880 (41.2)	910 (48)	870 (50.9)
105										520 (44.8)	
Min. boom angle for indicated length (no load)								28.3°	40.2°	43.8°	49.9°
Max. boom length at 0° boom angle (no load)								107.6 ft.			

#RCL operating code. Refer to Operator's Manual for operating instructions.

NOTE: ( ) Boom angles are in degrees.

Boom Angle	Main Boom Length in Feet										
	36.8	48-A	60-B	72-C	84-D	96-E	108-F	120-G	132-H	144-J	150.5
0°	14,400 (28.3)	10,000 (39.5)	6,570 (51.5)	4,360 (63.5)	2,820 (75.5)	1,690 (87.5)	790 (99.5)				

NOTE: ( ) Reference radii in feet.

Rated Load Reductions from main boom capacity when lifting over main boom nose with:											
36' lattice	4,300	2,800	2,650	2,500	2,300	2,300	2,300	2,300	2,300	2,300	2,250

80131198

**RATED LIFTING CAPACITIES IN POUNDS**  
**36 FT. FIXED OFFSETABLE BOOM EXTENSION**  
**WITH 16,000 LB. COUNTERWEIGHT**  
**ON OUTRIGGERS 50% EXTENDED - 360°**  
**36 FT. EXTENSION AT 0° OFFSET ANGLE**

Radius in Feet	#0415			
	Main Boom Length in Feet			
	120-G	132-H	144-J	150.5
30	7,720 (80)			
35	7,720 (78.4)	6,370 (79.6)		
40	7,720 (76.8)	6,370 (78.1)	5,200 (79.2)	4,420 (79.8)
45	7,720 (75.2)	6,370 (76.6)	5,200 (77.8)	4,420 (78.5)
50	7,670 (73.5)	6,370 (75.1)	5,200 (76.4)	4,420 (77.1)
55	7,260 (71.8)	6,370 (73.6)	5,200 (75)	4,420 (75.8)
60	6,880 (70.1)	6,370 (72)	5,200 (73.6)	4,420 (74.4)
65	6,240 (68.4)	6,120 (70.5)	5,200 (72.2)	4,420 (73.1)
70	5,250 (66.6)	5,130 (68.8)	5,010 (70.7)	4,420 (71.7)
75	4,410 (64.4)	4,290 (67.2)	4,170 (69.2)	4,070 (70.3)
80	3,680 (62.1)	3,570 (65.2)	3,450 (67.7)	3,350 (68.8)
85	3,060 (59.8)	2,940 (63.2)	2,820 (65.9)	2,730 (67.3)
90	2,500 (57.4)	2,390 (61)	2,270 (64)	2,180 (65.5)
95	2,020 (54.9)	1,900 (58.8)	1,790 (62.1)	1,690 (63.7)
100	1,590 (52.4)	1,470 (56.6)	1,360 (60)	1,260 (61.8)
105	1,200 (49.7)	1,080 (54.3)	970 (58)	870 (59.8)
110	850 (46.9)	740 (51.9)	620 (55.9)	530 (57.8)
115	540 (44)			
Min. boom angle for indicated length (no load)	43°	50.9°	54.9°	56.8°
Max. boom length at 0° boom angle (no load)	47.6 ft.	47.6 ft.	47.6 ft.	47.6 ft.

#RCL operating code. Refer to Operator's Manual for operating instructions.

80131238\_0

NOTE: ( ) Boom angles are in degrees.

**BOOM EXTENSION CAPACITY NOTES:**

1. 36 ft. extension length may be used for single line lifting service only.
  2. For boom angles not shown, use the rating of the next lower boom angle.
- WARNING:** Operation of this machine with heavier loads than the capacities listed is strictly prohibited. Machine tipping with boom extension occurs rapidly and without advance warning.
3. Boom angle is the angle above or below horizontal of the longitudinal axis of the boom base section after lifting rated load.
  4. Capacities listed are with outriggers properly extended and vertical jacks set only.

**RATED LIFTING CAPACITIES IN POUNDS**  
**36 FT. FIXED OFFSETABLE BOOM EXTENSION**  
**WITH 16,000 LB. COUNTERWEIGHT**  
**ON OUTRIGGERS 50% EXTENDED - 360°**  
**36 FT. EXTENSION AT 15° OFFSET ANGLE**

Radius in Feet	#0420			
	Main Boom Length in Feet			
	120-G	132-H	144-J	150.5
40	7,000 (79.5)			
45	6,730 (77.8)			
50	6,540 (76.2)	6,400 (77.6)		
55	6,360 (74.5)	6,150 (76.1)	5,590 (77.4)	4,940 (78)
60	6,100 (72.8)	5,880 (74.5)	5,590 (75.9)	4,940 (76.7)
65	5,810 (71)	5,620 (72.9)	5,370 (74.5)	4,940 (75.3)
70	5,550 (69.2)	5,380 (71.3)	5,160 (73)	4,940 (73.9)
75	5,010 (67.4)	4,920 (69.6)	4,820 (71.6)	4,740 (72.5)
80	4,230 (65.3)	4,140 (68)	4,050 (70)	3,960 (71.1)
85	3,550 (63)	3,460 (66.1)	3,370 (68.5)	3,290 (69.6)
90	2,950 (60.6)	2,860 (64)	2,780 (66.9)	2,690 (68.1)
95	2,430 (58.1)	2,340 (61.8)	2,250 (64.9)	2,170 (66.4)
100	1,960 (55.6)	1,870 (59.5)	1,780 (62.9)	1,700 (64.5)
105	1,530 (52.9)	1,450 (57.2)	1,360 (60.8)	1,280 (62.5)
110	1,150 (50.1)	1,070 (54.8)	980 (58.7)	900 (60.5)
115	810 (47.1)	720 (52.3)	640 (56.5)	560 (58.4)
Min. boom angle for indicated length (no load)	46.1°	51.3°	55.5°	57.4°
Max. boom length at 0° boom angle (no load)	47.6 ft.	47.6 ft.	47.6 ft.	47.6 ft.

#RCL operating code. Refer to Operator's Manual for operating instructions. 80131238\_15

NOTE: ( ) Boom angles are in degrees.

**BOOM EXTENSION CAPACITY NOTES:**

1. 36 ft. extension length may be used for single line lifting service only.
2. For boom angles not shown, use the rating of the next lower boom angle.

**WARNING:** Operation of this machine with heavier loads than the capacities listed is strictly prohibited. Machine tipping with boom extension occurs rapidly and without advance warning.

3. Boom angle is the angle above or below horizontal of the longitudinal axis of the boom base section after lifting rated load.
4. Capacities listed are with outriggers properly extended and vertical jacks set only.



**RATED LIFTING CAPACITIES IN POUNDS**  
**36 FT. FIXED OFFSETABLE BOOM EXTENSION**  
**WITH 16,000 LB. COUNTERWEIGHT**  
**ON OUTRIGGERS 50% EXTENDED - 360°**  
**36 FT. EXTENSION AT 30° OFFSET ANGLE**

Radius in Feet	#0425			
	Main Boom Length in Feet			
	120-G	132-H	144-J	150.5
50	5,660 (78.6)			
55	5,530 (76.9)	5,440 (78.2)		
60	5,420 (75.1)	5,350 (76.6)	5,190 (78)	
65	5,320 (73.3)	5,190 (75)	5,000 (76.5)	4,870 (77.2)
70	5,140 (71.5)	4,990 (73.4)	4,810 (75)	4,700 (75.8)
75	4,940 (69.6)	4,800 (71.7)	4,640 (73.5)	4,540 (74.3)
80	4,700 (67.7)	4,630 (70)	4,470 (72)	4,380 (72.9)
85	3,970 (65.5)	3,910 (68.2)	3,840 (70.4)	3,770 (71.4)
90	3,330 (63.1)	3,270 (66.4)	3,200 (68.8)	3,130 (69.9)
95	2,760 (60.6)	2,700 (64.1)	2,640 (67.1)	2,570 (68.3)
100	2,250 (57.9)	2,200 (61.8)	2,130 (65)	2,070 (66.6)
105	1,800 (55.2)	1,740 (59.4)	1,680 (62.9)	1,610 (64.6)
110	1,380 (52.2)	1,330 (56.9)	1,270 (60.7)	1,200 (62.5)
115	1,000 (49.2)	960 (54.3)	900 (58.5)	830 (60.4)
120	660 (45.8)	610 (51.6)	560 (56.1)	
Min. boom angle for indicated length (no load)	44.8°	50.6°	55.1°	59.4°
Max. boom length at 0° boom angle (no load)	47.6 ft.	47.6 ft.	47.6 ft.	47.6 ft.

#RCL operating code. Refer to Operator's Manual for operating instructions. 80131238\_30

NOTE: ( ) Boom angles are in degrees.

**BOOM EXTENSION CAPACITY NOTES:**

- 36 ft. extension length may be used for single line lifting service only.
- For boom angles not shown, use the rating of the next lower boom angle.  
  
**WARNING:** Operation of this machine with heavier loads than the capacities listed is strictly prohibited. Machine tipping with boom extension occurs rapidly and without advance warning.
- Boom angle is the angle above or below horizontal of the longitudinal axis of the boom base section after lifting rated load.
- Capacities listed are with outriggers properly extended and vertical jacks set only.

**RATED LIFTING CAPACITIES IN POUNDS**  
**37 FT. - 151 FT. BOOM**  
**WITH 16,000 LB. COUNTERWEIGHT**  
**ON OUTRIGGERS 0% EXTENDED - 360°**

Radius in Feet	#0801										
	Main Boom Length in Feet										
	36.8	48-A	60-B	72-C	84-D	96-E	108-F	120-G	132-H	144-J	150.5
8	73,850 (70.9)										
10	54,550 (67.6)	49,600 (73.9)	47,850 (77.7)	44,850							
12	42,550 (63.8)	40,500 (71.5)	38,400 (75.9)	36,400 (78.7)	34,450						
15	31,100 (57.8)	30,150 (67.8)	29,000 (73.1)	27,800 (76.5)	26,600 (78.9)	25,450					
20	19,450 (46.4)	20,100 (60.5)	19,650 (68.3)	19,100 (72.7)	18,450 (75.7)	17,850 (77.8)	17,200 (79.7)				
25	12,650 (30)	13,700 (52.4)	14,100 (62.7)	13,800 (68.7)	13,450 (72.5)	13,100 (75.1)	12,700 (77.3)	12,300 (79)	11,950		
30		9,530 (43.1)	10,200 (56.6)	10,250 (64.3)	10,050 (69.1)	9,850 (72.3)	9,590 (74.9)	9,340 (76.8)	9,090 (78.4)	8,810 (79.7)	8,610
35		6,640 (29.8)	7,290 (49.8)	7,690 (59.3)	7,610 (65.5)	7,480 (69.4)	7,300 (72.4)	7,130 (74.6)	6,950 (76.5)	6,750 (78)	6,590 (78.8)
40			5,180 (42.1)	5,580 (53.9)	5,750 (61.2)	5,680 (66.4)	5,560 (69.8)	5,440 (72.4)	5,310 (74.5)	5,160 (76.2)	5,020 (77.1)
45			3,590 (31.5)	3,980 (48.1)	4,220 (56.8)	4,260 (62.8)	4,180 (67.1)	4,100 (70.1)	4,000 (72.5)	3,890 (74.4)	3,770 (75.4)
50			2,350 (15.9)	2,730 (41.6)	2,970 (52.1)	3,100 (59)	3,070 (64)	3,010 (67.8)	2,940 (70.4)	2,850 (72.6)	2,740 (73.6)
55				1,720 (32.7)	1,960 (47)	2,130 (55)	2,140 (60.7)	2,110 (65)	2,060 (68.3)	1,990 (70.7)	1,890 (71.8)
60				900 (21)	1,130 (41.3)	1,310 (50.7)	1,340 (57.2)	1,360 (62.1)	1,320 (65.9)	1,260 (68.8)	1,180 (70)
65						610 (46.2)	660 (53.6)	690 (59.1)	690 (63.3)	640 (66.7)	560 (68.1)
Max. boom angle for indicated length	70.9°	73.9°	77.7°	77.7°	77.7°	77.7°	79.7°	79.7°	79.7°	79.7°	79.7°
Min. boom angle for indicated length (no load)				20°	40.3°	45.2°	52.6°	58.1°	62.3°	65.7°	67.1°
Max. boom length at 0° boom angle (no load)	59.6 ft.										

#RCL operating code. Refer to Operator's Manual for operating instructions.

NOTE: ( ) Boom angles are in degrees.

Boom Angle	Main Boom Length in Feet										
	36.8	48-A	60-B	72-C	84-D	96-E	108-F	120-G	132-H	144-J	150.5
0°	9,720 (28.3)	4,730 (39.5)	2,040 (51.5)								

NOTE: ( ) Reference radii in feet.

Rated Load Reductions from main boom capacity when lifting over main boom nose with:											
36' lattice	3,950	2,850	2,700	2,300	2,300	2,300	2,300	2,300	2,300	2,300	2,250

80131199

**Caution note pertaining to overturning or backward stability:**

- When the 16,000 lb or 13,000 lb counterweight is installed and the crane is on fully retracted outriggers (7.8 ft or 2.38 m spread), do not exceed the "Max. Boom Angle for Indicated Length" shown on the load chart due to a risk of overturning backwards. The RCL system monitors this condition and restricts raising the boom to an angle higher than the "Max. Boom Angle for Indicated Length" published on the load chart for this configuration.

**RATED LIFTING CAPACITIES IN POUNDS**  
**37 FT. - 151 FT. BOOM**  
**WITH 13,000 LB. COUNTERWEIGHT**  
**ON OUTRIGGERS FULLY EXTENDED - 360°**

Radius in Feet	#1001										
	Main Boom Length in Feet										
	36.8	48-A	60-B	72-C	84-D	96-E	108-F	120-G	132-H	144-J	150.5
6	120,000 (74.1)	49,600 (78.5)									
8	101,500 (70.9)	49,600 (76.2)	49,600 (79.5)								
10	88,900 (67.6)	49,600 (73.9)	49,600 (77.7)								
12	78,700 (63.8)	49,600 (71.5)	49,600 (75.9)	49,600 (78.7)							
15	66,850 (57.8)	49,600 (67.8)	49,600 (73.1)	46,700 (76.5)	39,700 (78.9)						
20	52,750 (46.4)	49,600 (60.5)	49,600 (68.3)	42,050 (72.7)	36,100 (75.7)	30,250 (77.8)	23,550 (79.7)				
25	37,450 (30)	43,900 (52.4)	44,450 (62.7)	38,150 (68.7)	32,950 (72.5)	27,400 (75.1)	21,150 (77.3)	18,600 (79)			
30		35,500 (43.1)	36,300 (56.6)	34,950 (64.3)	30,250 (69.1)	24,700 (72.3)	19,100 (74.9)	16,950 (76.8)	14,500 (78.4)	11,300 (79.7)	
35		27,400 (29.8)	29,350 (49.8)	29,850 (59.3)	27,950 (65.5)	22,350 (69.4)	17,250 (72.4)	15,450 (74.6)	13,900 (76.5)	11,300 (78)	10,050 (78.8)
40			24,300 (42.1)	24,750 (53.9)	25,050 (61.2)	20,300 (66.4)	15,700 (69.8)	14,150 (72.4)	12,800 (74.5)	11,300 (76.2)	10,050 (77.1)
45			20,400 (31.5)	20,850 (48.1)	21,150 (56.8)	18,600 (62.8)	14,350 (67.1)	12,950 (70.1)	11,750 (72.5)	10,700 (74.4)	10,050 (75.4)
50			13,100 (15.9)	17,350 (41.6)	17,500 (52.1)	17,100 (59)	13,200 (64)	11,900 (67.8)	10,850 (70.4)	9,930 (72.6)	9,470 (73.6)
55				14,550 (32.7)	14,700 (47)	14,800 (55)	12,150 (60.7)	11,000 (65)	10,000 (68.3)	9,200 (70.7)	8,780 (71.8)
60				12,000 (21)	12,450 (41.3)	12,550 (50.7)	11,250 (57.2)	10,150 (62.1)	9,300 (65.9)	8,540 (68.8)	8,160 (70)
65					10,700 (33.6)	10,850 (46.2)	10,450 (53.6)	9,460 (59.1)	8,640 (63.3)	7,940 (66.7)	7,590 (68.1)
70					9,240 (24.1)	9,360 (41.2)	9,430 (49.7)	8,800 (55.9)	8,030 (60.6)	7,380 (64.3)	7,070 (66)
75					5,400 (8.3)	8,100 (34.3)	8,170 (45.6)	8,210 (52.6)	7,460 (57.7)	6,840 (61.8)	6,550 (63.7)
80						7,030 (26.3)	7,090 (41.1)	7,150 (49.1)	6,840 (54.8)	6,260 (59.3)	5,980 (61.3)
85						5,950 (15.3)	6,160 (35)	6,220 (45.3)	6,260 (51.7)	5,720 (56.7)	5,460 (58.8)
90							5,360 (27.9)	5,410 (41.2)	5,450 (48.5)	5,240 (53.9)	4,990 (56.3)
95							4,660 (19)	4,700 (35.6)	4,740 (45)	4,750 (51.1)	4,550 (53.7)
100								4,080 (29.3)	4,110 (41.2)	4,120 (48)	4,080 (50.9)
105								3,520 (21.7)	3,550 (36.1)	3,560 (44.8)	3,510 (48)
110								2,440 (10.7)	3,050 (30.3)	3,050 (41.3)	3,010 (45)
115									2,600 (23.7)	2,600 (36.5)	2,550 (41.6)
120									2,200 (15.1)	2,190 (31.3)	2,140 (37)
125										1,820 (25.4)	1,770 (32.1)
130										1,490 (18.1)	1,430 (26.5)
135											1,130 (19.9)
140											720 (10.5)
Min. boom angle for indicated length (no load)								9.5°	9.5°	9.5°	9.5°
Max. boom length at 0° boom angle (no load)								107.6 ft.			

#RCL operating code. Refer to Operator's Manual for operating instructions.

NOTE: ( ) Boom angles are in degrees.

Boom Angle	Main Boom Length in Feet										
	36.8	48-A	60-B	72-C	84-D	96-E	108-F	120-G	132-H	144-J	150.5
0°	14,400 (28.3)	10,000 (39.5)	6,570 (51.5)	4,360 (63.5)	2,820 (75.5)	1,690 (87.5)	820 (99.5)				

NOTE: ( ) Reference radii in feet.

Rated Load Reductions from main boom capacity when lifting over main boom nose with:										
36' lattice	2,300	2,300	2,300	2,300	2,300	2,300	2,300	2,300	2,300	2,250

80131200

**RATED LIFTING CAPACITIES IN POUNDS  
36 FT. FIXED OFFSETABLE BOOM EXTENSION  
WITH 13,000 LB. COUNTERWEIGHT  
ON OUTRIGGERS FULLY EXTENDED - 360°  
36 FT. EXTENSION AT 0° OFFSET ANGLE**

Radius in Feet	#1015			
	Main Boom Length in Feet			
	120-G	132-H	144-J	150.5
30	7,720 (80)			
35	7,720 (78.4)	6,370 (79.6)		
40	7,720 (76.8)	6,370 (78.1)	5,200 (79.2)	4,420 (79.8)
45	7,720 (75.2)	6,370 (76.6)	5,200 (77.8)	4,420 (78.5)
50	7,670 (73.5)	6,370 (75.1)	5,200 (76.4)	4,420 (77.1)
55	7,260 (71.8)	6,370 (73.6)	5,200 (75)	4,420 (75.8)
60	6,880 (70.1)	6,370 (72)	5,200 (73.6)	4,420 (74.4)
65	6,520 (68.4)	6,260 (70.5)	5,200 (72.2)	4,420 (73.1)
70	6,180 (66.6)	5,960 (68.8)	5,200 (70.7)	4,420 (71.7)
75	5,870 (64.4)	5,690 (67.2)	5,200 (69.2)	4,420 (70.3)
80	5,580 (62.1)	5,400 (65.2)	4,990 (67.7)	4,420 (68.8)
85	5,310 (59.8)	5,060 (63.2)	4,680 (65.9)	4,420 (67.3)
90	5,070 (57.4)	4,750 (61)	4,380 (64)	4,200 (65.5)
95	4,830 (54.9)	4,450 (58.8)	4,100 (62.1)	3,930 (63.7)
100	4,540 (52.4)	4,170 (56.6)	3,840 (60)	3,670 (61.8)
105	4,230 (49.7)	3,920 (54.3)	3,600 (58)	3,430 (59.8)
110	3,730 (46.9)	3,610 (51.9)	3,370 (55.9)	3,070 (57.8)
115	3,270 (44)	3,150 (49.4)	3,030 (53.7)	2,730 (55.7)
120	2,860 (40.8)	2,740 (46.7)	2,620 (51.4)	2,420 (53.6)
125	2,490 (36.3)	2,360 (44)	2,240 (49.1)	2,130 (51.4)
130	2,150 (31.5)	2,020 (40.9)	1,900 (46.6)	1,800 (49.2)
135	1,840 (26.2)	1,710 (36.8)	1,590 (44)	1,490 (46.8)
140	1,570 (20)	1,430 (32.3)	1,300 (41.2)	1,200 (44.3)
145	1,320 (11.7)	1,160 (27.4)	1,040 (37.2)	940 (41.6)
150		930 (21.8)	790 (33)	690 (37.8)
155		720 (14.9)	570 (28.5)	
Min. boom angle for indicated length (no load)	10.7°	13.9°	27.5°	36.8°
Max. boom length at 0° boom angle (no load)	47.6 ft.	47.6 ft.	47.6 ft.	47.6 ft.

#RCL operating code. Refer to Operator's Manual for operating instructions. 80131239\_0

NOTE: ( ) Boom angles are in degrees.

**BOOM EXTENSION CAPACITY NOTES:**

- 36 ft. extension length may be used for single line lifting service only.
- For boom angles not shown, use the rating of the next lower boom angle.  
**WARNING:** Operation of this machine with heavier loads than the capacities listed is strictly prohibited. Machine tipping with boom extension occurs rapidly and without advance warning.
- Boom angle is the angle above or below horizontal of the longitudinal axis of the boom base section after lifting rated load.
- Capacities listed are with outriggers properly extended and vertical jacks set only.

**RATED LIFTING CAPACITIES IN POUNDS  
36 FT. FIXED OFFSETABLE BOOM EXTENSION  
WITH 13,000 LB. COUNTERWEIGHT  
ON OUTRIGGERS FULLY EXTENDED - 360°  
36 FT. EXTENSION AT 15° OFFSET ANGLE**

Radius in Feet	#1020			
	Main Boom Length in Feet			
	120-G	132-H	144-J	150.5
40	7,000 (79.5)			
45	6,730 (77.8)			
50	6,540 (76.2)	6,400 (77.6)		
55	6,360 (74.5)	6,150 (76.1)	5,590 (77.4)	4,940 (78)
60	6,100 (72.8)	5,880 (74.5)	5,590 (75.9)	4,940 (76.7)
65	5,810 (71)	5,620 (72.9)	5,370 (74.5)	4,940 (75.3)
70	5,550 (69.2)	5,380 (71.3)	5,160 (73)	4,940 (73.9)
75	5,300 (67.4)	5,150 (69.6)	4,960 (71.6)	4,840 (72.5)
80	5,070 (65.3)	4,930 (68)	4,760 (70)	4,660 (71.1)
85	4,860 (63)	4,730 (66.1)	4,580 (68.5)	4,480 (69.6)
90	4,660 (60.6)	4,550 (64)	4,400 (66.9)	4,250 (68.1)
95	4,480 (58.1)	4,370 (61.8)	4,150 (64.9)	3,980 (66.4)
100	4,310 (55.6)	4,200 (59.5)	3,890 (62.9)	3,730 (64.5)
105	4,150 (52.9)	3,950 (57.2)	3,650 (60.8)	3,500 (62.5)
110	4,010 (50.1)	3,710 (54.8)	3,420 (58.7)	3,270 (60.5)
115	3,540 (47.1)	3,460 (52.3)	3,200 (56.5)	2,940 (58.4)
120	3,100 (43.9)	3,010 (49.7)	2,930 (54.2)	2,610 (56.3)
125	2,690 (40.3)	2,610 (46.9)	2,520 (51.8)	2,320 (54.1)
130	2,320 (35.2)	2,240 (43.9)	2,150 (49.3)	2,040 (51.8)
135	1,980 (29.6)	1,900 (40.5)	1,820 (46.7)	1,740 (49.4)
140	1,670 (23)	1,590 (35.8)	1,500 (43.9)	1,420 (46.9)
145		1,300 (30.6)	1,220 (40.7)	1,140 (44.2)
150		1,030 (24.7)	950 (36.3)	870 (41.1)
155		780 (17.3)	700 (31.5)	620 (36.9)
Min. boom angle for indicated length (no load)	16.3°	16.3°	30.5°	35.9°
Max. boom length at 0° boom angle (no load)	47.6 ft.	47.6 ft.	47.6 ft.	47.6 ft.

#RCL operating code. Refer to Operator's Manual for operating instructions. 80131239\_15

NOTE: ( ) Boom angles are in degrees.

**BOOM EXTENSION CAPACITY NOTES:**

- 36 ft. extension length may be used for single line lifting service only.
- For boom angles not shown, use the rating of the next lower boom angle.  
**WARNING:** Operation of this machine with heavier loads than the capacities listed is strictly prohibited. Machine tipping with boom extension occurs rapidly and without advance warning.
- Boom angle is the angle above or below horizontal of the longitudinal axis of the boom base section after lifting rated load.
- Capacities listed are with outriggers properly extended and vertical jacks set only.

**RATED LIFTING CAPACITIES IN POUNDS  
36 FT. FIXED OFFSETABLE BOOM EXTENSION  
WITH 13,000 LB. COUNTERWEIGHT  
ON OUTRIGGERS FULLY EXTENDED - 360°  
36 FT. EXTENSION AT 30° OFFSET ANGLE**

Radius in Feet	#1025			
	Main Boom Length in Feet			
	120-G	132-H	144-J	150.5
50	5,660 (78.6)			
55	5,530 (76.9)	5,440 (78.2)		
60	5,420 (75.1)	5,350 (76.6)	5,190 (78)	
65	5,320 (73.3)	5,190 (75)	5,000 (76.5)	4,870 (77.2)
70	5,140 (71.5)	4,990 (73.4)	4,810 (75)	4,700 (75.8)
75	4,940 (69.6)	4,800 (71.7)	4,640 (73.5)	4,540 (74.3)
80	4,760 (67.7)	4,630 (70)	4,470 (72)	4,380 (72.9)
85	4,580 (65.5)	4,460 (68.2)	4,320 (70.4)	4,230 (71.4)
90	4,420 (63.1)	4,310 (66.4)	4,170 (68.8)	4,090 (69.9)
95	4,270 (60.6)	4,160 (64.1)	4,030 (67.1)	3,960 (68.3)
100	4,130 (57.9)	4,020 (61.8)	3,900 (65)	3,820 (66.6)
105	4,010 (55.2)	3,900 (59.4)	3,730 (62.9)	3,580 (64.6)
110	3,890 (52.2)	3,780 (56.9)	3,500 (60.7)	3,360 (62.5)
115	3,740 (49.2)	3,550 (54.3)	3,280 (58.5)	3,100 (60.4)
120	3,270 (45.8)	3,220 (51.6)	3,070 (56.1)	2,760 (58.2)
125	2,830 (42.2)	2,790 (48.7)	2,740 (53.7)	2,450 (56)
130	2,420 (37)	2,390 (45.6)	2,340 (51.1)	2,170 (53.6)
135		2,020 (42.3)	1,980 (48.4)	1,900 (51.1)
140		1,680 (37.4)	1,640 (45.5)	1,580 (48.5)
145			1,330 (42.4)	1,270 (45.7)
150			1,040 (37.8)	980 (42.7)
155				710 (38.4)
Min. boom angle for indicated length (no load)	36°	36.4°	36.8°	37.4°
Max. boom length at 0° boom angle (no load)	47.6 ft.	47.6 ft.	47.6 ft.	47.6 ft.

#RCL operating code. Refer to Operator's Manual for operating instructions. 80131239\_30

NOTE: ( ) Boom angles are in degrees.

**BOOM EXTENSION CAPACITY NOTES:**

1. 36 ft. extension length may be used for single line lifting service only.
2. For boom angles not shown, use the rating of the next lower boom angle.

**WARNING:** Operation of this machine with heavier loads than the capacities listed is strictly prohibited. Machine tipping with boom extension occurs rapidly and without advance warning.

3. Boom angle is the angle above or below horizontal of the longitudinal axis of the boom base section after lifting rated load.
4. Capacities listed are with outriggers properly extended and vertical jacks set only.

**RATED LIFTING CAPACITIES IN POUNDS**  
**37 FT. - 151 FT. BOOM**  
**WITH 13,000 LB. COUNTERWEIGHT**  
**ON OUTRIGGERS FULLY EXTENDED - OVER REAR**

Radius in Feet	#1026										
	Main Boom Length in Feet										
	36.8	48-A	60-B	72-C	84-D	96-E	108-F	120-G	132-H	144-J	150.5
6	120,000 (74.1)	49,600 (78.5)									
8	107,000 (70.9)	49,600 (76.2)	49,600 (79.5)								
10	96,250 (67.6)	49,600 (73.9)	49,600 (77.7)								
12	86,350 (63.8)	49,600 (71.5)	49,600 (75.9)	49,600 (78.7)							
15	74,550 (57.8)	49,600 (67.8)	49,600 (73.1)	46,700 (76.5)	39,700 (78.9)						
20	60,200 (46.4)	49,600 (60.5)	49,600 (68.3)	42,050 (72.7)	36,100 (75.7)	30,250 (77.8)	23,550 (79.7)				
25	37,450 (30)	48,050 (52.4)	45,850 (62.7)	38,150 (68.7)	32,950 (72.5)	27,400 (75.1)	21,150 (77.3)	18,600 (79)			
30		38,300 (43.1)	38,800 (56.6)	34,950 (64.3)	30,250 (69.1)	24,700 (72.3)	19,100 (74.9)	16,950 (76.8)	14,500 (78.4)	11,300 (79.7)	
35		27,400 (29.8)	31,900 (49.8)	32,250 (59.3)	27,950 (65.5)	22,350 (69.4)	17,250 (72.4)	15,450 (74.6)	13,900 (76.5)	11,300 (78)	10,050 (78.8)
40			26,750 (42.1)	27,050 (53.9)	25,950 (61.2)	20,300 (66.4)	15,700 (69.8)	14,150 (72.4)	12,800 (74.5)	11,300 (76.2)	10,050 (77.1)
45			22,300 (31.5)	23,100 (48.1)	23,300 (56.8)	18,600 (62.8)	14,350 (67.1)	12,950 (70.1)	11,750 (72.5)	10,700 (74.4)	10,050 (75.4)
50			13,100 (15.9)	19,550 (41.6)	19,700 (52.1)	17,100 (59)	13,200 (64)	11,900 (67.8)	10,850 (70.4)	9,930 (72.6)	9,470 (73.6)
55				16,600 (32.7)	16,750 (47)	15,800 (55)	12,150 (60.7)	11,000 (65)	10,000 (68.3)	9,200 (70.7)	8,780 (71.8)
60				12,000 (21)	14,400 (41.3)	14,500 (50.7)	11,250 (57.2)	10,150 (62.1)	9,300 (65.9)	8,540 (68.8)	8,160 (70)
65					12,450 (33.6)	12,550 (46.2)	10,450 (53.6)	9,460 (59.1)	8,640 (63.3)	7,940 (66.7)	7,590 (68.1)
70					10,900 (24.1)	11,050 (41.2)	9,760 (49.7)	8,800 (55.9)	8,030 (60.6)	7,380 (64.3)	7,070 (66)
75					5,400 (8.3)	9,700 (34.3)	9,120 (45.6)	8,210 (52.6)	7,460 (57.7)	6,840 (61.8)	6,550 (63.7)
80						8,540 (26.3)	8,530 (41.1)	7,580 (49.1)	6,840 (54.8)	6,260 (59.3)	5,980 (61.3)
85						5,950 (15.3)	7,590 (35)	6,990 (45.3)	6,290 (51.7)	5,720 (56.7)	5,460 (58.8)
90							6,710 (27.9)	6,450 (41.2)	5,780 (48.5)	5,240 (53.9)	4,990 (56.3)
95							5,620 (19)	5,960 (35.6)	5,310 (45)	4,790 (51.1)	4,550 (53.7)
100								5,300 (29.3)	4,880 (41.2)	4,380 (48)	4,150 (50.9)
105								4,680 (21.7)	4,490 (36.1)	4,000 (44.8)	3,730 (48)
110								2,440 (10.7)	4,120 (30.3)	3,640 (41.3)	3,340 (45)
115									3,660 (23.7)	3,320 (36.5)	2,980 (41.6)
120									2,590 (15.1)	3,010 (31.3)	2,650 (37)
125										2,730 (25.4)	2,350 (32.1)
130										2,430 (18.1)	2,070 (26.5)
135											1,800 (19.9)
140											720 (10.5)
Min. boom angle for indicated length (no load)								9.5°	9.5°	9.5°	9.5°
Max. boom length at 0° boom angle (no load)								107.6 ft.			

#RCL operating code. Refer to Operator's Manual for operating instructions.

NOTE: ( ) Boom angles are in degrees.

Boom Angle	Main Boom Length in Feet										
	36.8	48-A	60-B	72-C	84-D	96-E	108-F	120-G	132-H	144-J	150.5
0°	14,400 (28.3)	10,000 (39.5)	6,570 (51.5)	4,360 (63.5)	2,820 (75.5)	1,690 (87.5)	820 (99.5)				

NOTE: ( ) Reference radii in feet.

Rated Load Reductions from main boom capacity when lifting over main boom nose with:										
36' lattice	2,650	2,300	2,300	2,300	2,300	2,300	2,300	2,300	2,300	2,250

80131201

**RATED LIFTING CAPACITIES IN POUNDS  
36 FT. FIXED OFFSETABLE BOOM EXTENSION  
WITH 13,000 LB. COUNTERWEIGHT  
ON OUTRIGGERS FULLY EXTENDED - OVER REAR  
36 FT. EXTENSION AT 0° OFFSET ANGLE**

Radius in Feet	#1040			
	Main Boom Length in Feet			
	120-G	132-H	144-J	150.5
30	7,720 (80)			
35	7,720 (78.4)	6,370 (79.6)		
40	7,720 (76.8)	6,370 (78.1)	5,200 (79.2)	4,420 (79.8)
45	7,720 (75.2)	6,370 (76.6)	5,200 (77.8)	4,420 (78.5)
50	7,670 (73.5)	6,370 (75.1)	5,200 (76.4)	4,420 (77.1)
55	7,260 (71.8)	6,370 (73.6)	5,200 (75)	4,420 (75.8)
60	6,880 (70.1)	6,370 (72)	5,200 (73.6)	4,420 (74.4)
65	6,520 (68.4)	6,260 (70.5)	5,200 (72.2)	4,420 (73.1)
70	6,180 (66.6)	5,960 (68.8)	5,200 (70.7)	4,420 (71.7)
75	5,870 (64.4)	5,690 (67.2)	5,200 (69.2)	4,420 (70.3)
80	5,580 (62.1)	5,400 (65.2)	4,990 (67.7)	4,420 (68.8)
85	5,310 (59.8)	5,060 (63.2)	4,680 (65.9)	4,420 (67.3)
90	5,070 (57.4)	4,750 (61)	4,380 (64)	4,200 (65.5)
95	4,830 (54.9)	4,450 (58.8)	4,100 (62.1)	3,930 (63.7)
100	4,540 (52.4)	4,170 (56.6)	3,840 (60)	3,670 (61.8)
105	4,270 (49.7)	3,920 (54.3)	3,600 (58)	3,430 (59.8)
110	4,020 (46.9)	3,680 (51.9)	3,370 (55.9)	3,070 (57.8)
115	3,790 (44)	3,450 (49.4)	3,150 (53.7)	2,730 (55.7)
120	3,570 (40.8)	3,240 (46.7)	2,900 (51.4)	2,420 (53.6)
125	3,370 (36.3)	3,030 (44)	2,640 (49.1)	2,130 (51.4)
130	3,080 (31.5)	2,780 (40.9)	2,400 (46.6)	1,870 (49.2)
135	2,740 (26.2)	2,550 (36.8)	2,170 (44)	1,630 (46.8)
140	2,440 (20)	2,300 (32.3)	1,960 (41.2)	1,400 (44.3)
145	1,320 (11.7)	2,010 (27.4)	1,750 (37.2)	1,190 (41.6)
150		1,740 (21.8)	1,560 (33)	990 (37.8)
155		1,240 (14.9)	1,360 (28.5)	810 (33.7)
160			1,130 (23.4)	640 (29.3)
165			920 (17.3)	
Min. boom angle for indicated length (no load)	10.7°	13.9°	16.3°	28.3°
Max. boom length at 0° boom angle (no load)	47.6 ft.	47.6 ft.	47.6 ft.	47.6 ft.

#RCL operating code. Refer to Operator's Manual for operating instructions. 80131240\_0

NOTE: ( ) Boom angles are in degrees.

**BOOM EXTENSION CAPACITY NOTES:**

- 36 ft. extension length may be used for single line lifting service only.
- For boom angles not shown, use the rating of the next lower boom angle.  
**WARNING:** Operation of this machine with heavier loads than the capacities listed is strictly prohibited. Machine tipping with boom extension occurs rapidly and without advance warning.
- Boom angle is the angle above or below horizontal of the longitudinal axis of the boom base section after lifting rated load.
- Capacities listed are with outriggers properly extended and vertical jacks set only.



**RATED LIFTING CAPACITIES IN POUNDS  
36 FT. FIXED OFFSETABLE BOOM EXTENSION  
WITH 13,000 LB. COUNTERWEIGHT  
ON OUTRIGGERS FULLY EXTENDED - OVER REAR  
36 FT. EXTENSION AT 15° OFFSET ANGLE**

Radius in Feet	#1045			
	Main Boom Length in Feet			
	120-G	132-H	144-J	150.5
40	7,000 (79.5)			
45	6,730 (77.8)			
50	6,540 (76.2)	6,400 (77.6)		
55	6,360 (74.5)	6,150 (76.1)	5,590 (77.4)	4,940 (78)
60	6,100 (72.8)	5,880 (74.5)	5,590 (75.9)	4,940 (76.7)
65	5,810 (71)	5,620 (72.9)	5,370 (74.5)	4,940 (75.3)
70	5,550 (69.2)	5,380 (71.3)	5,160 (73)	4,940 (73.9)
75	5,300 (67.4)	5,150 (69.6)	4,960 (71.6)	4,840 (72.5)
80	5,070 (65.3)	4,930 (68)	4,760 (70)	4,660 (71.1)
85	4,860 (63)	4,730 (66.1)	4,580 (68.5)	4,480 (69.6)
90	4,660 (60.6)	4,550 (64)	4,400 (66.9)	4,250 (68.1)
95	4,480 (58.1)	4,370 (61.8)	4,150 (64.9)	3,980 (66.4)
100	4,310 (55.6)	4,200 (59.5)	3,890 (62.9)	3,730 (64.5)
105	4,150 (52.9)	3,950 (57.2)	3,650 (60.8)	3,500 (62.5)
110	4,010 (50.1)	3,710 (54.8)	3,420 (58.7)	3,270 (60.5)
115	3,810 (47.1)	3,490 (52.3)	3,200 (56.5)	2,940 (58.4)
120	3,600 (43.9)	3,280 (49.7)	3,000 (54.2)	2,610 (56.3)
125	3,400 (40.3)	3,080 (46.9)	2,810 (51.8)	2,320 (54.1)
130	3,210 (35.2)	2,900 (43.9)	2,560 (49.3)	2,040 (51.8)
135	2,880 (29.6)	2,660 (40.5)	2,320 (46.7)	1,780 (49.4)
140	2,540 (23)	2,430 (35.8)	2,090 (43.9)	1,550 (46.9)
145		2,140 (30.6)	1,870 (40.7)	1,320 (44.2)
150		1,840 (24.7)	1,660 (36.3)	1,110 (41.1)
155		1,570 (17.3)	1,460 (31.5)	910 (36.9)
160			1,230 (26.1)	730 (32.3)
165			990 (19.7)	550 (27.2)
Min. boom angle for indicated length (no load)	16.3°	16.3°	18.7°	26.2°
Max. boom length at 0° boom angle (no load)	47.6 ft.	47.6 ft.	47.6 ft.	47.6 ft.

#RCL operating code. Refer to Operator's Manual for operating instructions. 80131240\_15

NOTE: ( ) Boom angles are in degrees.

**BOOM EXTENSION CAPACITY NOTES:**

- 36 ft. extension length may be used for single line lifting service only.
- For boom angles not shown, use the rating of the next lower boom angle.  
**WARNING:** Operation of this machine with heavier loads than the capacities listed is strictly prohibited. Machine tipping with boom extension occurs rapidly and without advance warning.
- Boom angle is the angle above or below horizontal of the longitudinal axis of the boom base section after lifting rated load.
- Capacities listed are with outriggers properly extended and vertical jacks set only.

**RATED LIFTING CAPACITIES IN POUNDS**  
**36 FT. FIXED OFFSETABLE BOOM EXTENSION**  
**WITH 13,000 LB. COUNTERWEIGHT**  
**ON OUTRIGGERS FULLY EXTENDED - OVER REAR**  
**36 FT. EXTENSION AT 30° OFFSET ANGLE**

Radius in Feet	#1050			
	Main Boom Length in Feet			
	120-G	132-H	144-J	150.5
50	5,660 (78.6)			
55	5,530 (76.9)	5,440 (78.2)		
60	5,420 (75.1)	5,350 (76.6)	5,190 (78)	
65	5,320 (73.3)	5,190 (75)	5,000 (76.5)	4,870 (77.2)
70	5,140 (71.5)	4,990 (73.4)	4,810 (75)	4,700 (75.8)
75	4,940 (69.6)	4,800 (71.7)	4,640 (73.5)	4,540 (74.3)
80	4,760 (67.7)	4,630 (70)	4,470 (72)	4,380 (72.9)
85	4,580 (65.5)	4,460 (68.2)	4,320 (70.4)	4,230 (71.4)
90	4,420 (63.1)	4,310 (66.4)	4,170 (68.8)	4,090 (69.9)
95	4,270 (60.6)	4,160 (64.1)	4,030 (67.1)	3,960 (68.3)
100	4,130 (57.9)	4,020 (61.8)	3,900 (65)	3,820 (66.6)
105	4,010 (55.2)	3,900 (59.4)	3,730 (62.9)	3,580 (64.6)
110	3,890 (52.2)	3,780 (56.9)	3,500 (60.7)	3,360 (62.5)
115	3,780 (49.2)	3,550 (54.3)	3,280 (58.5)	3,100 (60.4)
120	3,650 (45.8)	3,340 (51.6)	3,070 (56.1)	2,760 (58.2)
125	3,440 (42.2)	3,140 (48.7)	2,880 (53.7)	2,450 (56)
130	3,250 (37)	2,950 (45.6)	2,690 (51.1)	2,170 (53.6)
135		2,760 (42.3)	2,440 (48.4)	1,900 (51.1)
140		2,510 (37.4)	2,190 (45.5)	1,640 (48.5)
145			1,960 (42.4)	1,410 (45.7)
150			1,730 (37.8)	1,180 (42.7)
155				970 (38.4)
Min. boom angle for indicated length (no load)	36°	36.4°	36.8°	37.4°
Max. boom length at 0° boom angle (no load)	47.6 ft.	47.6 ft.	47.6 ft.	47.6 ft.

#RCL operating code. Refer to Operator's Manual for operating instructions. 80131240\_30

NOTE: ( ) Boom angles are in degrees.

**BOOM EXTENSION CAPACITY NOTES:**

- 36 ft. extension length may be used for single line lifting service only.
- For boom angles not shown, use the rating of the next lower boom angle.  
**WARNING:** Operation of this machine with heavier loads than the capacities listed is strictly prohibited. Machine tipping with boom extension occurs rapidly and without advance warning.
- Boom angle is the angle above or below horizontal of the longitudinal axis of the boom base section after lifting rated load.
- Capacities listed are with outriggers properly extended and vertical jacks set only.

**RATED LIFTING CAPACITIES IN POUNDS**  
**37 FT. - 151 FT. BOOM**  
**WITH 13,000 LB. COUNTERWEIGHT**  
**ON OUTRIGGERS 50% EXTENDED - 360°**

Radius in Feet	#1401										
	Main Boom Length in Feet										
	36.8	48-A	60-B	72-C	84-D	96-E	108-F	120-G	132-H	144-J	150.5
6	120,000 (74.1)	49,600 (78.5)									
8	107,000 (70.9)	49,600 (76.2)	49,600 (79.5)								
10	96,750 (67.6)	49,600 (73.9)	49,600 (77.7)								
12	85,500 (63.8)	49,600 (71.5)	49,600 (75.9)	49,600 (78.7)							
15	72,400 (57.8)	49,600 (67.8)	49,600 (73.1)	46,700 (76.5)	39,700 (78.9)						
20	43,900 (46.4)	43,650 (60.5)	41,950 (68.3)	40,300 (72.7)	36,100 (75.7)	30,250 (77.8)	23,550 (79.7)				
25	28,500 (30)	29,550 (52.4)	29,950 (62.7)	29,100 (68.7)	28,200 (72.5)	27,300 (75.1)	21,150 (77.3)	18,600 (79)			
30		21,200 (43.1)	21,700 (56.6)	22,050 (64.3)	21,550 (69.1)	21,050 (72.3)	19,100 (74.9)	16,950 (76.8)	14,500 (78.4)	11,300 (79.7)	
35		15,700 (29.8)	16,350 (49.8)	16,650 (59.3)	16,850 (65.5)	16,650 (69.4)	16,300 (72.4)	15,450 (74.6)	13,900 (76.5)	11,300 (78)	10,050 (78.8)
40			12,650 (42.1)	12,950 (53.9)	13,100 (61.2)	13,250 (66.4)	13,200 (69.8)	12,900 (72.4)	12,650 (74.5)	11,300 (76.2)	10,050 (77.1)
45			9,930 (31.5)	10,300 (48.1)	10,450 (56.8)	10,600 (62.8)	10,700 (67.1)	10,600 (70.1)	10,400 (72.5)	10,200 (74.4)	10,000 (75.4)
50			7,820 (15.9)	8,230 (41.6)	8,420 (52.1)	8,560 (59)	8,640 (64)	8,710 (67.8)	8,640 (70.4)	8,460 (72.6)	8,300 (73.6)
55				6,560 (32.7)	6,790 (47)	6,920 (55)	7,000 (60.7)	7,070 (65)	7,120 (68.3)	7,030 (70.7)	6,890 (71.8)
60				5,210 (21)	5,450 (41.3)	5,600 (50.7)	5,670 (57.2)	5,740 (62.1)	5,790 (65.9)	5,810 (68.8)	5,720 (70)
65					4,330 (33.6)	4,510 (46.2)	4,580 (53.6)	4,650 (59.1)	4,700 (63.3)	4,720 (66.7)	4,670 (68.1)
70					3,400 (24.1)	3,580 (41.2)	3,670 (49.7)	3,730 (55.9)	3,780 (60.6)	3,800 (64.3)	3,760 (66)
75					2,620 (8.3)	2,780 (34.3)	2,900 (45.6)	2,960 (52.6)	3,000 (57.7)	3,020 (61.8)	2,980 (63.7)
80						2,100 (26.3)	2,210 (41.1)	2,290 (49.1)	2,330 (54.8)	2,350 (59.3)	2,310 (61.3)
85						1,510 (15.3)	1,610 (35)	1,700 (45.3)	1,750 (51.7)	1,770 (56.7)	1,720 (58.8)
90							1,090 (27.9)	1,180 (41.2)	1,240 (48.5)	1,260 (53.9)	1,210 (56.3)
95							630 (19)	710 (35.6)	780 (45)	800 (51.1)	760 (53.7)
Min. boom angle for indicated length (no load)							18°	34.6°	44°	50.1°	52.7°
Max. boom length at 0° boom angle (no load)							95.6 ft.				

#RCL operating code. Refer to Operator's Manual for operating instructions.

NOTE: ( ) Boom angles are in degrees.

Boom Angle	Main Boom Length in Feet										
	36.8	48-A	60-B	72-C	84-D	96-E	108-F	120-G	132-H	144-J	150.5
0°	14,400 (28.3)	10,000 (39.5)	6,570 (51.5)	4,360 (63.5)	2,550 (75.5)	1,260 (87.5)					

NOTE: ( ) Reference radii in feet.

Rated Load Reductions from main boom capacity when lifting over main boom nose with:											
36' lattice	4,300	2,800	2,650	2,500	2,300	2,300	2,300	2,300	2,300	2,300	2,250

80131203

**RATED LIFTING CAPACITIES IN POUNDS  
36 FT. FIXED OFFSETABLE BOOM EXTENSION  
WITH 13,000 LB. COUNTERWEIGHT  
ON OUTRIGGERS 50% EXTENDED - 360°  
36 FT. EXTENSION AT 0° OFFSET ANGLE**

Radius in Feet	#1415			
	Main Boom Length in Feet			
	120-G	132-H	144-J	150.5
30	7,720 (80)			
35	7,720 (78.4)	6,370 (79.6)		
40	7,720 (76.8)	6,370 (78.1)	5,200 (79.2)	4,420 (79.8)
45	7,720 (75.2)	6,370 (76.6)	5,200 (77.8)	4,420 (78.5)
50	7,670 (73.5)	6,370 (75.1)	5,200 (76.4)	4,420 (77.1)
55	7,260 (71.8)	6,370 (73.6)	5,200 (75)	4,420 (75.8)
60	6,410 (70.1)	6,140 (72)	5,200 (73.6)	4,420 (74.4)
65	5,330 (68.4)	5,180 (70.5)	4,940 (72.2)	4,420 (73.1)
70	4,420 (66.6)	4,300 (68.8)	4,130 (70.7)	3,970 (71.7)
75	3,640 (64.4)	3,520 (67.2)	3,400 (69.2)	3,270 (70.3)
80	2,970 (62.1)	2,850 (65.2)	2,740 (67.7)	2,640 (68.8)
85	2,390 (59.8)	2,270 (63.2)	2,160 (65.9)	2,060 (67.3)
90	1,880 (57.4)	1,760 (61)	1,650 (64)	1,550 (65.5)
95	1,430 (54.9)	1,310 (58.8)	1,200 (62.1)	1,100 (63.7)
100	1,030 (52.4)	910 (56.6)	800 (60)	700 (61.8)
105	670 (49.7)	550 (54.3)		
Min. boom angle for indicated length (no load)	48.7°	53.3°	59°	60.8°
Max. boom length at 0° boom angle (no load)	47.6 ft.	47.6 ft.	47.6 ft.	47.6 ft.

#RCL operating code. Refer to Operator's Manual for operating instructions.

80131242\_0

NOTE: ( ) Boom angles are in degrees.

**BOOM EXTENSION CAPACITY NOTES:**

- 36 ft. extension length may be used for single line lifting service only.
  - For boom angles not shown, use the rating of the next lower boom angle.
- WARNING:** Operation of this machine with heavier loads than the capacities listed is strictly prohibited. Machine tipping with boom extension occurs rapidly and without advance warning.
- Boom angle is the angle above or below horizontal of the longitudinal axis of the boom base section after lifting rated load.
  - Capacities listed are with outriggers properly extended and vertical jacks set only.

**RATED LIFTING CAPACITIES IN POUNDS  
36 FT. FIXED OFFSETABLE BOOM EXTENSION  
WITH 13,000 LB. COUNTERWEIGHT  
ON OUTRIGGERS 50% EXTENDED - 360°  
36 FT. EXTENSION AT 15° OFFSET ANGLE**

Radius in Feet	#1420			
	Main Boom Length in Feet			
	120-G	132-H	144-J	150.5
40	7,000 (79.5)			
45	6,730 (77.8)			
50	6,540 (76.2)	6,400 (77.6)		
55	6,360 (74.5)	6,150 (76.1)	5,590 (77.4)	4,940 (78)
60	6,100 (72.8)	5,880 (74.5)	5,590 (75.9)	4,940 (76.7)
65	5,810 (71)	5,620 (72.9)	5,370 (74.5)	4,940 (75.3)
70	5,080 (69.2)	4,990 (71.3)	4,840 (73)	4,690 (73.9)
75	4,240 (67.4)	4,150 (69.6)	4,060 (71.6)	3,930 (72.5)
80	3,510 (65.3)	3,420 (68)	3,330 (70)	3,250 (71.1)
85	2,880 (63)	2,790 (66.1)	2,700 (68.5)	2,620 (69.6)
90	2,330 (60.6)	2,240 (64)	2,150 (66.9)	2,060 (68.1)
95	1,830 (58.1)	1,750 (61.8)	1,660 (64.9)	1,570 (66.4)
100	1,400 (55.6)	1,310 (59.5)	1,220 (62.9)	1,140 (64.5)
105	1,000 (52.9)	920 (57.2)	830 (60.8)	750 (62.5)
110	650 (50.1)	560 (54.8)		
Min. boom angle for indicated length (no load)	49.1°	53.8°	59.8°	61.5°
Max. boom length at 0° boom angle (no load)	47.6 ft.	47.6 ft.	47.6 ft.	47.6 ft.

#RCL operating code. Refer to Operator's Manual for operating instructions. 80131242\_15

NOTE: ( ) Boom angles are in degrees.

**BOOM EXTENSION CAPACITY NOTES:**

- 36 ft. extension length may be used for single line lifting service only.
- For boom angles not shown, use the rating of the next lower boom angle.  
**WARNING:** Operation of this machine with heavier loads than the capacities listed is strictly prohibited. Machine tipping with boom extension occurs rapidly and without advance warning.
- Boom angle is the angle above or below horizontal of the longitudinal axis of the boom base section after lifting rated load.
- Capacities listed are with outriggers properly extended and vertical jacks set only.

**RATED LIFTING CAPACITIES IN POUNDS  
36 FT. FIXED OFFSETABLE BOOM EXTENSION  
WITH 13,000 LB. COUNTERWEIGHT  
ON OUTRIGGERS 50% EXTENDED - 360°  
36 FT. EXTENSION AT 30° OFFSET ANGLE**

Radius in Feet	#1425			
	Main Boom Length in Feet			
	120-G	132-H	144-J	150.5
50	5,660 (78.6)			
55	5,530 (76.9)	5,440 (78.2)		
60	5,420 (75.1)	5,350 (76.6)	5,190 (78)	
65	5,320 (73.3)	5,190 (75)	5,000 (76.5)	4,870 (77.2)
70	5,140 (71.5)	4,990 (73.4)	4,810 (75)	4,700 (75.8)
75	4,760 (69.6)	4,700 (71.7)	4,630 (73.5)	4,520 (74.3)
80	3,980 (67.7)	3,920 (70)	3,850 (72)	3,780 (72.9)
85	3,300 (65.5)	3,240 (68.2)	3,170 (70.4)	3,100 (71.4)
90	2,700 (63.1)	2,640 (66.4)	2,580 (68.8)	2,510 (69.9)
95	2,170 (60.6)	2,110 (64.1)	2,050 (67.1)	1,980 (68.3)
100	1,690 (57.9)	1,640 (61.8)	1,570 (65)	1,510 (66.6)
105	1,260 (55.2)	1,210 (59.4)	1,150 (62.9)	1,080 (64.6)
110	880 (52.2)	820 (56.9)	770 (60.7)	700 (62.5)
115	520 (49.2)			
Min. boom angle for indicated length (no load)	48.2°	55.9°	59.7°	61.5°
Max. boom length at 0° boom angle (no load)	47.6 ft.	47.6 ft.	47.6 ft.	47.6 ft.

#RCL operating code. Refer to Operator's Manual for operating instructions. 80131242\_30

NOTE: ( ) Boom angles are in degrees.

**BOOM EXTENSION CAPACITY NOTES:**

- 36 ft. extension length may be used for single line lifting service only.
- For boom angles not shown, use the rating of the next lower boom angle.  
  
**WARNING:** Operation of this machine with heavier loads than the capacities listed is strictly prohibited. Machine tipping with boom extension occurs rapidly and without advance warning.
- Boom angle is the angle above or below horizontal of the longitudinal axis of the boom base section after lifting rated load.
- Capacities listed are with outriggers properly extended and vertical jacks set only.

**RATED LIFTING CAPACITIES IN POUNDS**  
**37 FT. - 151 FT. BOOM**  
**WITH 13,000 LB. COUNTERWEIGHT**  
**ON OUTRIGGERS 0% EXTENDED - 360°**

Radius in Feet	#1801										
	Main Boom Length in Feet										
	36.8	48-A	60-B	72-C	84-D	96-E	108-F	120-G	132-H	144-J	150.5
6	90,350 (74.1)	49,600 (78.5)									
8	66,900 (70.9)	49,600 (76.2)	49,600 (79.5)								
10	49,200 (67.6)	46,200 (73.9)	43,250 (77.7)								
12	38,200 (63.8)	36,450 (71.5)	34,550 (75.9)	32,750 (78.7)							
15	27,700 (57.8)	26,950 (67.8)	25,950 (73.1)	24,850 (76.5)	23,800 (78.9)						
20	17,150 (46.4)	17,750 (60.5)	17,350 (68.3)	16,850 (72.7)	16,300 (75.7)	15,750 (77.8)	15,200 (79.7)				
25	10,900 (30)	11,950 (52.4)	12,250 (62.7)	12,000 (68.7)	11,700 (72.5)	11,400 (75.1)	11,050 (77.3)	10,700 (79)			
30		8,110 (43.1)	8,780 (56.6)	8,780 (64.3)	8,600 (69.1)	8,420 (72.3)	8,190 (74.9)	7,970 (76.8)	7,740 (78.4)	7,500 (79.7)	
35		5,450 (29.8)	6,100 (49.8)	6,420 (59.3)	6,350 (65.5)	6,240 (69.4)	6,090 (72.4)	5,940 (74.6)	5,780 (76.5)	5,600 (78)	5,450 (78.8)
40			4,160 (42.1)	4,560 (53.9)	4,640 (61.2)	4,590 (66.4)	4,480 (69.8)	4,380 (72.4)	4,270 (74.5)	4,140 (76.2)	4,010 (77.1)
45			2,690 (31.5)	3,080 (48.1)	3,260 (56.8)	3,290 (62.8)	3,220 (67.1)	3,150 (70.1)	3,070 (72.5)	2,970 (74.4)	2,850 (75.4)
50			1,550 (15.9)	1,920 (41.6)	2,150 (52.1)	2,220 (59)	2,200 (64)	2,150 (67.8)	2,100 (70.4)	2,020 (72.6)	1,920 (73.6)
55				1,000 (32.7)	1,230 (47)	1,320 (55)	1,340 (60.7)	1,330 (65)	1,290 (68.3)	1,230 (70.7)	1,130 (71.8)
60						580 (50.7)	610 (57.2)	630 (62.1)	610 (65.9)	560 (68.8)	
Max. boom angle for indicated length	74.1°	78.5°	79.5°	79.5°	79.5°	79.5°	79.7°	79.7°	79.7°	79.7°	79.7°
Min. boom angle for indicated length (no load)				31.7°	46°	49.7°	56.2°	61.1°	64.9°	67.8°	70.8°
Max. boom length at 0° boom angle (no load)	59.6 ft.										

#RCL operating code. Refer to Operator's Manual for operating instructions.

NOTE: ( ) Boom angles are in degrees.

Boom Angle	Main Boom Length in Feet										
	36.8	48-A	60-B	72-C	84-D	96-E	108-F	120-G	132-H	144-J	150.5
0°	8,200 (28.3)	3,690 (39.5)	1,260 (51.5)								

NOTE: ( ) Reference radii in feet.

Rated Load Reductions from main boom capacity when lifting over main boom nose with:											
36' lattice	3,950	3,650	3,450	2,300	2,300	2,300	2,300	2,300	2,300	2,300	2,250

80131204

**Caution note pertaining to overturning or backward stability:**

- When the 16,000 lb or 13,000 lb counterweight is installed and the crane is on fully retracted outriggers (7.8 ft or 2.38 m spread), do not exceed the "Max. Boom Angle for Indicated Length" shown on the load chart due to a risk of overturning backwards. The RCL system monitors this condition and restricts raising the boom to an angle higher than the "Max. Boom Angle for Indicated Length" published on the load chart for this configuration.

**RATED LIFTING CAPACITIES IN POUNDS**  
**37 FT. - 151 FT. BOOM**  
**WITH 11,000 LB. COUNTERWEIGHT**  
**ON OUTRIGGERS FULLY EXTENDED - 360°**

Radius in Feet	#2001										
	Main Boom Length in Feet										
	36.8	48-A	60-B	72-C	84-D	96-E	108-F	120-G	132-H	144-J	150.5
6	120,000 (74.1)	49,600 (78.5)									
8	101,000 (70.9)	49,600 (76.2)	49,600 (79.5)								
10	88,600 (67.6)	49,600 (73.9)	49,600 (77.7)								
12	78,450 (63.8)	49,600 (71.5)	49,600 (75.9)	49,600 (78.7)							
15	66,600 (57.8)	49,600 (67.8)	49,600 (73.1)	46,700 (76.5)	39,700 (78.9)						
20	52,550 (46.4)	49,600 (60.5)	49,600 (68.3)	42,050 (72.7)	36,100 (75.7)	30,250 (77.8)	23,550 (79.7)				
25	37,450 (30)	43,700 (52.4)	44,300 (62.7)	38,150 (68.7)	32,950 (72.5)	27,400 (75.1)	21,150 (77.3)	18,600 (79)			
30		34,750 (43.1)	35,550 (56.6)	34,950 (64.3)	30,250 (69.1)	24,700 (72.3)	19,100 (74.9)	16,950 (76.8)	14,500 (78.4)	11,300 (79.7)	
35		27,400 (29.8)	28,750 (49.8)	29,200 (59.3)	27,950 (65.5)	22,350 (69.4)	17,250 (72.4)	15,450 (74.6)	13,900 (76.5)	11,300 (78)	10,050 (78.8)
40			23,750 (42.1)	24,200 (53.9)	24,500 (61.2)	20,300 (66.4)	15,700 (69.8)	14,150 (72.4)	12,800 (74.5)	11,300 (76.2)	10,050 (77.1)
45			19,750 (31.5)	20,050 (48.1)	20,200 (56.8)	18,600 (62.8)	14,350 (67.1)	12,950 (70.1)	11,750 (72.5)	10,700 (74.4)	10,050 (75.4)
50			13,100 (15.9)	16,500 (41.6)	16,650 (52.1)	16,800 (59)	13,200 (64)	11,900 (67.8)	10,850 (70.4)	9,930 (72.6)	9,470 (73.6)
55				13,800 (32.7)	13,950 (47)	14,100 (55)	12,150 (60.7)	11,000 (65)	10,000 (68.3)	9,200 (70.7)	8,780 (71.8)
60				11,700 (21)	11,800 (41.3)	11,900 (50.7)	11,250 (57.2)	10,150 (62.1)	9,300 (65.9)	8,540 (68.8)	8,160 (70)
65					10,150 (33.6)	10,250 (46.2)	10,350 (53.6)	9,460 (59.1)	8,640 (63.3)	7,940 (66.7)	7,590 (68.1)
70					8,710 (24.1)	8,830 (41.2)	8,900 (49.7)	8,800 (55.9)	8,030 (60.6)	7,380 (64.3)	7,070 (66)
75					5,400 (8.3)	7,610 (34.3)	7,680 (45.6)	7,740 (52.6)	7,460 (57.7)	6,840 (61.8)	6,550 (63.7)
80						6,580 (26.3)	6,640 (41.1)	6,700 (49.1)	6,740 (54.8)	6,260 (59.3)	5,980 (61.3)
85						5,690 (15.3)	5,740 (35)	5,800 (45.3)	5,840 (51.7)	5,720 (56.7)	5,460 (58.8)
90							4,960 (27.9)	5,010 (41.2)	5,050 (48.5)	5,070 (53.9)	4,990 (56.3)
95							4,290 (19)	4,330 (35.6)	4,360 (45)	4,380 (51.1)	4,340 (53.7)
100								3,720 (29.3)	3,760 (41.2)	3,770 (48)	3,720 (50.9)
105								3,190 (21.7)	3,210 (36.1)	3,230 (44.8)	3,180 (48)
110								2,440 (10.7)	2,730 (30.3)	2,740 (41.3)	2,690 (45)
115									2,300 (23.7)	2,300 (36.5)	2,250 (41.6)
120									1,910 (15.1)	1,910 (31.3)	1,860 (37)
125										1,550 (25.4)	1,500 (32.1)
130										1,220 (18.1)	1,170 (26.5)
135											870 (19.9)
140											610 (10.5)
Min. boom angle for indicated length (no load)								9.5°	9.5°	9.5°	9.5°
Max. boom length at 0° boom angle (no load)								107.6 ft.			

#RCL operating code. Refer to Operator's Manual for operating instructions.

NOTE: ( ) Boom angles are in degrees.

Boom Angle	Main Boom Length in Feet										
	36.8	48-A	60-B	72-C	84-D	96-E	108-F	120-G	132-H	144-J	150.5
0°	14,400 (28.3)	10,000 (39.5)	6,570 (51.5)	4,360 (63.5)	2,820 (75.5)	1,690 (87.5)	820 (99.5)				

NOTE: ( ) Reference radii in feet.

Rated Load Reductions from main boom capacity when lifting over main boom nose with:											
36' lattice	2,300	2,300	2,300	2,300	2,300	2,300	2,300	2,300	2,300	2,300	2,250

80131205



**RATED LIFTING CAPACITIES IN POUNDS**  
**36 FT. FIXED OFFSETABLE BOOM EXTENSION**  
**WITH 11,000 LB. COUNTERWEIGHT**  
**ON OUTRIGGERS FULLY EXTENDED - 360°**  
**36 FT. EXTENSION AT 0° OFFSET ANGLE**

Radius in Feet	#2015			
	Main Boom Length in Feet			
	120-G	132-H	144-J	150.5
30	7,720 (80)			
35	7,720 (78.4)	6,370 (79.6)		
40	7,720 (76.8)	6,370 (78.1)	5,200 (79.2)	4,420 (79.8)
45	7,720 (75.2)	6,370 (76.6)	5,200 (77.8)	4,420 (78.5)
50	7,670 (73.5)	6,370 (75.1)	5,200 (76.4)	4,420 (77.1)
55	7,260 (71.8)	6,370 (73.6)	5,200 (75)	4,420 (75.8)
60	6,880 (70.1)	6,370 (72)	5,200 (73.6)	4,420 (74.4)
65	6,520 (68.4)	6,260 (70.5)	5,200 (72.2)	4,420 (73.1)
70	6,180 (66.6)	5,960 (68.8)	5,200 (70.7)	4,420 (71.7)
75	5,870 (64.4)	5,690 (67.2)	5,200 (69.2)	4,420 (70.3)
80	5,580 (62.1)	5,400 (65.2)	4,990 (67.7)	4,420 (68.8)
85	5,310 (59.8)	5,060 (63.2)	4,680 (65.9)	4,420 (67.3)
90	5,070 (57.4)	4,750 (61)	4,380 (64)	4,200 (65.5)
95	4,830 (54.9)	4,450 (58.8)	4,100 (62.1)	3,930 (63.7)
100	4,450 (52.4)	4,170 (56.6)	3,840 (60)	3,670 (61.8)
105	3,900 (49.7)	3,780 (54.3)	3,600 (58)	3,430 (59.8)
110	3,410 (46.9)	3,290 (51.9)	3,170 (55.9)	3,070 (57.8)
115	2,970 (44)	2,850 (49.4)	2,730 (53.7)	2,640 (55.7)
120	2,580 (40.8)	2,450 (46.7)	2,330 (51.4)	2,240 (53.6)
125	2,220 (36.3)	2,090 (44)	1,970 (49.1)	1,870 (51.4)
130	1,890 (31.5)	1,760 (40.9)	1,640 (46.6)	1,540 (49.2)
135	1,590 (26.2)	1,460 (36.8)	1,340 (44)	1,240 (46.8)
140	1,330 (20)	1,180 (32.3)	1,060 (41.2)	960 (44.3)
145	1,090 (11.7)	930 (27.4)	800 (37.2)	700 (41.6)
150		700 (21.8)	570 (33)	
155		500 (14.9)		
Min. boom angle for indicated length (no load)	10.7°	13.9°	32°	40.6°
Max. boom length at 0° boom angle (no load)	47.6 ft.	47.6 ft.	47.6 ft.	47.6 ft.

#RCL operating code. Refer to Operator's Manual for operating instructions.

80131243\_0

NOTE: ( ) Boom angles are in degrees.

**BOOM EXTENSION CAPACITY NOTES:**

- 36 ft. extension length may be used for single line lifting service only.
- For boom angles not shown, use the rating of the next lower boom angle.  
  
**WARNING:** Operation of this machine with heavier loads than the capacities listed is strictly prohibited. Machine tipping with boom extension occurs rapidly and without advance warning.
- Boom angle is the angle above or below horizontal of the longitudinal axis of the boom base section after lifting rated load.
- Capacities listed are with outriggers properly extended and vertical jacks set only.

**RATED LIFTING CAPACITIES IN POUNDS**  
**36 FT. FIXED OFFSETABLE BOOM EXTENSION**  
**WITH 11,000 LB. COUNTERWEIGHT**  
**ON OUTRIGGERS FULLY EXTENDED - 360°**  
**36 FT. EXTENSION AT 15° OFFSET ANGLE**

Radius in Feet	#2020			
	Main Boom Length in Feet			
	120-G	132-H	144-J	150.5
40	7,000 (79.5)			
45	6,730 (77.8)			
50	6,540 (76.2)	6,400 (77.6)		
55	6,360 (74.5)	6,150 (76.1)	5,590 (77.4)	4,940 (78)
60	6,100 (72.8)	5,880 (74.5)	5,590 (75.9)	4,940 (76.7)
65	5,810 (71)	5,620 (72.9)	5,370 (74.5)	4,940 (75.3)
70	5,550 (69.2)	5,380 (71.3)	5,160 (73)	4,940 (73.9)
75	5,300 (67.4)	5,150 (69.6)	4,960 (71.6)	4,840 (72.5)
80	5,070 (65.3)	4,930 (68)	4,760 (70)	4,660 (71.1)
85	4,860 (63)	4,730 (66.1)	4,580 (68.5)	4,480 (69.6)
90	4,660 (60.6)	4,550 (64)	4,400 (66.9)	4,250 (68.1)
95	4,480 (58.1)	4,370 (61.8)	4,150 (64.9)	3,980 (66.4)
100	4,310 (55.6)	4,200 (59.5)	3,890 (62.9)	3,730 (64.5)
105	4,150 (52.9)	3,950 (57.2)	3,650 (60.8)	3,500 (62.5)
110	3,720 (50.1)	3,630 (54.8)	3,420 (58.7)	3,270 (60.5)
115	3,240 (47.1)	3,160 (52.3)	3,070 (56.5)	2,940 (58.4)
120	2,810 (43.9)	2,730 (49.7)	2,640 (54.2)	2,560 (56.3)
125	2,420 (40.3)	2,340 (46.9)	2,250 (51.8)	2,170 (54.1)
130	2,060 (35.2)	1,980 (43.9)	1,890 (49.3)	1,810 (51.8)
135	1,730 (29.6)	1,650 (40.5)	1,560 (46.7)	1,480 (49.4)
140	1,430 (23)	1,350 (35.8)	1,260 (43.9)	1,180 (46.9)
145		1,070 (30.6)	980 (40.7)	900 (44.2)
150		810 (24.7)	720 (36.3)	650 (41.1)
155		560 (17.3)		
Min. boom angle for indicated length (no load)	16.3°	16.3°	35.3°	40.1°
Max. boom length at 0° boom angle (no load)	47.6 ft.	47.6 ft.	47.6 ft.	47.6 ft.

#RCL operating code. Refer to Operator's Manual for operating instructions. 80131243\_15

NOTE: ( ) Boom angles are in degrees.

**BOOM EXTENSION CAPACITY NOTES:**

- 36 ft. extension length may be used for single line lifting service only.
- For boom angles not shown, use the rating of the next lower boom angle.  
  
**WARNING:** Operation of this machine with heavier loads than the capacities listed is strictly prohibited. Machine tipping with boom extension occurs rapidly and without advance warning.
- Boom angle is the angle above or below horizontal of the longitudinal axis of the boom base section after lifting rated load.
- Capacities listed are with outriggers properly extended and vertical jacks set only.

**RATED LIFTING CAPACITIES IN POUNDS  
36 FT. FIXED OFFSETABLE BOOM EXTENSION  
WITH 11,000 LB. COUNTERWEIGHT  
ON OUTRIGGERS FULLY EXTENDED - 360°  
36 FT. EXTENSION AT 30° OFFSET ANGLE**

Radius in Feet	#2025			
	Main Boom Length in Feet			
	120-G	132-H	144-J	150.5
50	5,660 (78.6)			
55	5,530 (76.9)	5,440 (78.2)		
60	5,420 (75.1)	5,350 (76.6)	5,190 (78)	
65	5,320 (73.3)	5,190 (75)	5,000 (76.5)	4,870 (77.2)
70	5,140 (71.5)	4,990 (73.4)	4,810 (75)	4,700 (75.8)
75	4,940 (69.6)	4,800 (71.7)	4,640 (73.5)	4,540 (74.3)
80	4,760 (67.7)	4,630 (70)	4,470 (72)	4,380 (72.9)
85	4,580 (65.5)	4,460 (68.2)	4,320 (70.4)	4,230 (71.4)
90	4,420 (63.1)	4,310 (66.4)	4,170 (68.8)	4,090 (69.9)
95	4,270 (60.6)	4,160 (64.1)	4,030 (67.1)	3,960 (68.3)
100	4,130 (57.9)	4,020 (61.8)	3,900 (65)	3,820 (66.6)
105	4,010 (55.2)	3,900 (59.4)	3,730 (62.9)	3,580 (64.6)
110	3,890 (52.2)	3,780 (56.9)	3,500 (60.7)	3,360 (62.5)
115	3,440 (49.2)	3,390 (54.3)	3,280 (58.5)	3,100 (60.4)
120	2,980 (45.8)	2,940 (51.6)	2,880 (56.1)	2,760 (58.2)
125	2,560 (42.2)	2,520 (48.7)	2,460 (53.7)	2,400 (56)
130	2,160 (37)	2,130 (45.6)	2,080 (51.1)	2,020 (53.6)
135		1,770 (42.3)	1,730 (48.4)	1,660 (51.1)
140		1,440 (37.4)	1,400 (45.5)	1,340 (48.5)
145			1,100 (42.4)	1,040 (45.7)
150			810 (37.8)	760 (42.7)
Min. boom angle for indicated length (no load)	36°	36.4°	36.8°	41.7°
Max. boom length at 0° boom angle (no load)	47.6 ft.	47.6 ft.	47.6 ft.	47.6 ft.

#RCL operating code. Refer to Operator's Manual for operating instructions. 80131243\_30

NOTE: ( ) Boom angles are in degrees.

**BOOM EXTENSION CAPACITY NOTES:**

1. 36 ft. extension length may be used for single line lifting service only.
2. For boom angles not shown, use the rating of the next lower boom angle.  
**WARNING:** Operation of this machine with heavier loads than the capacities listed is strictly prohibited. Machine tipping with boom extension occurs rapidly and without advance warning.
3. Boom angle is the angle above or below horizontal of the longitudinal axis of the boom base section after lifting rated load.
4. Capacities listed are with outriggers properly extended and vertical jacks set only.

**RATED LIFTING CAPACITIES IN POUNDS**  
**37 FT. - 151 FT. BOOM**  
**WITH 11,000 LB. COUNTERWEIGHT**  
**ON OUTRIGGERS FULLY EXTENDED - OVER REAR**

Radius in Feet	#2026										
	Main Boom Length in Feet										
	36.8	48-A	60-B	72-C	84-D	96-E	108-F	120-G	132-H	144-J	150.5
6	120,000 (74.1)	49,600 (78.5)									
8	107,000 (70.9)	49,600 (76.2)	49,600 (79.5)								
10	96,150 (67.6)	49,600 (73.9)	49,600 (77.7)								
12	86,250 (63.8)	49,600 (71.5)	49,600 (75.9)	49,600 (78.7)							
15	74,500 (57.8)	49,600 (67.8)	49,600 (73.1)	46,700 (76.5)	39,700 (78.9)						
20	60,100 (46.4)	49,600 (60.5)	49,600 (68.3)	42,050 (72.7)	36,100 (75.7)	30,250 (77.8)	23,550 (79.7)				
25	37,450 (30)	47,300 (52.4)	45,850 (62.7)	38,150 (68.7)	32,950 (72.5)	27,400 (75.1)	21,150 (77.3)	18,600 (79)			
30		37,650 (43.1)	38,150 (56.6)	34,950 (64.3)	30,250 (69.1)	24,700 (72.3)	19,100 (74.9)	16,950 (76.8)	14,500 (78.4)	11,300 (79.7)	
35		27,400 (29.8)	31,350 (49.8)	31,700 (59.3)	27,950 (65.5)	22,350 (69.4)	17,250 (72.4)	15,450 (74.6)	13,900 (76.5)	11,300 (78)	10,050 (78.8)
40			26,250 (42.1)	26,600 (53.9)	25,950 (61.2)	20,300 (66.4)	15,700 (69.8)	14,150 (72.4)	12,800 (74.5)	11,300 (76.2)	10,050 (77.1)
45			22,250 (31.5)	22,450 (48.1)	22,600 (56.8)	18,600 (62.8)	14,350 (67.1)	12,950 (70.1)	11,750 (72.5)	10,700 (74.4)	10,050 (75.4)
50			13,100 (15.9)	18,850 (41.6)	19,000 (52.1)	17,100 (59)	13,200 (64)	11,900 (67.8)	10,850 (70.4)	9,930 (72.6)	9,470 (73.6)
55				15,950 (32.7)	16,100 (47)	15,800 (55)	12,150 (60.7)	11,000 (65)	10,000 (68.3)	9,200 (70.7)	8,780 (71.8)
60				12,000 (21)	13,800 (41.3)	13,950 (50.7)	11,250 (57.2)	10,150 (62.1)	9,300 (65.9)	8,540 (68.8)	8,160 (70)
65					11,950 (33.6)	12,050 (46.2)	10,450 (53.6)	9,460 (59.1)	8,640 (63.3)	7,940 (66.7)	7,590 (68.1)
70					10,450 (24.1)	10,550 (41.2)	9,760 (49.7)	8,800 (55.9)	8,030 (60.6)	7,380 (64.3)	7,070 (66)
75					5,400 (8.3)	9,250 (34.3)	9,120 (45.6)	8,210 (52.6)	7,460 (57.7)	6,840 (61.8)	6,550 (63.7)
80						8,130 (26.3)	8,180 (41.1)	7,580 (49.1)	6,840 (54.8)	6,260 (59.3)	5,980 (61.3)
85						5,950 (15.3)	7,200 (35)	6,990 (45.3)	6,290 (51.7)	5,720 (56.7)	5,460 (58.8)
90							6,350 (27.9)	6,400 (41.2)	5,780 (48.5)	5,240 (53.9)	4,990 (56.3)
95							5,590 (19)	5,650 (35.6)	5,310 (45)	4,790 (51.1)	4,550 (53.7)
100								4,980 (29.3)	4,880 (41.2)	4,380 (48)	4,150 (50.9)
105								4,380 (21.7)	4,410 (36.1)	4,000 (44.8)	3,730 (48)
110								2,440 (10.7)	3,870 (30.3)	3,640 (41.3)	3,340 (45)
115									3,390 (23.7)	3,320 (36.5)	2,980 (41.6)
120									2,590 (15.1)	2,960 (31.3)	2,650 (37)
125										2,560 (25.4)	2,350 (32.1)
130										2,190 (18.1)	2,070 (26.5)
135											1,800 (19.9)
140											720 (10.5)
Min. boom angle for indicated length (no load)								9.5°	9.5°	9.5°	9.5°
Max. boom length at 0° boom angle (no load)								107.6 ft.			

#RCL operating code. Refer to Operator's Manual for operating instructions.

NOTE: ( ) Boom angles are in degrees.

Boom Angle	Main Boom Length in Feet										
	36.8	48-A	60-B	72-C	84-D	96-E	108-F	120-G	132-H	144-J	150.5
0°	14,400 (28.3)	10,000 (39.5)	6,570 (51.5)	4,360 (63.5)	2,820 (75.5)	1,690 (87.5)	820 (99.5)				

NOTE: ( ) Reference radii in feet.

Rated Load Reductions from main boom capacity when lifting over main boom nose with:										
36' lattice	2,650	2,300	2,300	2,300	2,300	2,300	2,300	2,300	2,300	2,250

80131206

**RATED LIFTING CAPACITIES IN POUNDS  
36 FT. FIXED OFFSETABLE BOOM EXTENSION  
WITH 11,000 LB. COUNTERWEIGHT  
ON OUTRIGGERS FULLY EXTENDED - OVER REAR  
36 FT. EXTENSION AT 0° OFFSET ANGLE**

Radius in Feet	#2040			
	Main Boom Length in Feet			
	120-G	132-H	144-J	150.5
30	7,720 (80)			
35	7,720 (78.4)	6,370 (79.6)		
40	7,720 (76.8)	6,370 (78.1)	5,200 (79.2)	4,420 (79.8)
45	7,720 (75.2)	6,370 (76.6)	5,200 (77.8)	4,420 (78.5)
50	7,670 (73.5)	6,370 (75.1)	5,200 (76.4)	4,420 (77.1)
55	7,260 (71.8)	6,370 (73.6)	5,200 (75)	4,420 (75.8)
60	6,880 (70.1)	6,370 (72)	5,200 (73.6)	4,420 (74.4)
65	6,520 (68.4)	6,260 (70.5)	5,200 (72.2)	4,420 (73.1)
70	6,180 (66.6)	5,960 (68.8)	5,200 (70.7)	4,420 (71.7)
75	5,870 (64.4)	5,690 (67.2)	5,200 (69.2)	4,420 (70.3)
80	5,580 (62.1)	5,400 (65.2)	4,990 (67.7)	4,420 (68.8)
85	5,310 (59.8)	5,060 (63.2)	4,680 (65.9)	4,420 (67.3)
90	5,070 (57.4)	4,750 (61)	4,380 (64)	4,200 (65.5)
95	4,830 (54.9)	4,450 (58.8)	4,100 (62.1)	3,930 (63.7)
100	4,540 (52.4)	4,170 (56.6)	3,840 (60)	3,670 (61.8)
105	4,270 (49.7)	3,920 (54.3)	3,600 (58)	3,430 (59.8)
110	4,020 (46.9)	3,680 (51.9)	3,370 (55.9)	3,070 (57.8)
115	3,790 (44)	3,450 (49.4)	3,150 (53.7)	2,730 (55.7)
120	3,570 (40.8)	3,240 (46.7)	2,900 (51.4)	2,420 (53.6)
125	3,210 (36.3)	3,030 (44)	2,640 (49.1)	2,130 (51.4)
130	2,840 (31.5)	2,720 (40.9)	2,400 (46.6)	1,870 (49.2)
135	2,510 (26.2)	2,380 (36.8)	2,170 (44)	1,630 (46.8)
140	2,210 (20)	2,070 (32.3)	1,950 (41.2)	1,400 (44.3)
145	1,320 (11.7)	1,790 (27.4)	1,660 (37.2)	1,190 (41.6)
150		1,540 (21.8)	1,400 (33)	990 (37.8)
155		1,240 (14.9)	1,160 (28.5)	810 (33.7)
160			940 (23.4)	640 (29.3)
165			740 (17.3)	
Min. boom angle for indicated length (no load)	10.7°	13.9°	16.3°	28.3°
Max. boom length at 0° boom angle (no load)	47.6 ft.	47.6 ft.	47.6 ft.	47.6 ft.

#RCL operating code. Refer to Operator's Manual for operating instructions. 80131244\_0

NOTE: ( ) Boom angles are in degrees.

**BOOM EXTENSION CAPACITY NOTES:**

- 36 ft. extension length may be used for single line lifting service only.
  - For boom angles not shown, use the rating of the next lower boom angle.
- WARNING:** Operation of this machine with heavier loads than the capacities listed is strictly prohibited. Machine tipping with boom extension occurs rapidly and without advance warning.
- Boom angle is the angle above or below horizontal of the longitudinal axis of the boom base section after lifting rated load.
  - Capacities listed are with outriggers properly extended and vertical jacks set only.

**RATED LIFTING CAPACITIES IN POUNDS  
36 FT. FIXED OFFSETABLE BOOM EXTENSION  
WITH 11,000 LB. COUNTERWEIGHT  
ON OUTRIGGERS FULLY EXTENDED - OVER REAR  
36 FT. EXTENSION AT 15° OFFSET ANGLE**

Radius in Feet	#2045			
	Main Boom Length in Feet			
	120-G	132-H	144-J	150.5
40	7,000 (79.5)			
45	6,730 (77.8)			
50	6,540 (76.2)	6,400 (77.6)		
55	6,360 (74.5)	6,150 (76.1)	5,590 (77.4)	4,940 (78)
60	6,100 (72.8)	5,880 (74.5)	5,590 (75.9)	4,940 (76.7)
65	5,810 (71)	5,620 (72.9)	5,370 (74.5)	4,940 (75.3)
70	5,550 (69.2)	5,380 (71.3)	5,160 (73)	4,940 (73.9)
75	5,300 (67.4)	5,150 (69.6)	4,960 (71.6)	4,840 (72.5)
80	5,070 (65.3)	4,930 (68)	4,760 (70)	4,660 (71.1)
85	4,860 (63)	4,730 (66.1)	4,580 (68.5)	4,480 (69.6)
90	4,660 (60.6)	4,550 (64)	4,400 (66.9)	4,250 (68.1)
95	4,480 (58.1)	4,370 (61.8)	4,150 (64.9)	3,980 (66.4)
100	4,310 (55.6)	4,200 (59.5)	3,890 (62.9)	3,730 (64.5)
105	4,150 (52.9)	3,950 (57.2)	3,650 (60.8)	3,500 (62.5)
110	4,010 (50.1)	3,710 (54.8)	3,420 (58.7)	3,270 (60.5)
115	3,810 (47.1)	3,490 (52.3)	3,200 (56.5)	2,940 (58.4)
120	3,600 (43.9)	3,280 (49.7)	3,000 (54.2)	2,610 (56.3)
125	3,400 (40.3)	3,080 (46.9)	2,810 (51.8)	2,320 (54.1)
130	3,010 (35.2)	2,900 (43.9)	2,560 (49.3)	2,040 (51.8)
135	2,650 (29.6)	2,570 (40.5)	2,320 (46.7)	1,780 (49.4)
140	2,310 (23)	2,240 (35.8)	2,090 (43.9)	1,550 (46.9)
145		1,930 (30.6)	1,840 (40.7)	1,320 (44.2)
150		1,640 (24.7)	1,560 (36.3)	1,110 (41.1)
155		1,370 (17.3)	1,290 (31.5)	910 (36.9)
160			1,040 (26.1)	730 (32.3)
165			810 (19.7)	550 (27.2)
Min. boom angle for indicated length (no load)	16.3°	16.3°	18.7°	26.2°
Max. boom length at 0° boom angle (no load)	47.6 ft.	47.6 ft.	47.6 ft.	47.6 ft.

#RCL operating code. Refer to Operator's Manual for operating instructions. 80131244\_15

NOTE: ( ) Boom angles are in degrees.

**BOOM EXTENSION CAPACITY NOTES:**

1. 36 ft. extension length may be used for single line lifting service only.
2. For boom angles not shown, use the rating of the next lower boom angle.

**WARNING:** Operation of this machine with heavier loads than the capacities listed is strictly prohibited. Machine tipping with boom extension occurs rapidly and without advance warning.

3. Boom angle is the angle above or below horizontal of the longitudinal axis of the boom base section after lifting rated load.
4. Capacities listed are with outriggers properly extended and vertical jacks set only.

**RATED LIFTING CAPACITIES IN POUNDS  
36 FT. FIXED OFFSETABLE BOOM EXTENSION  
WITH 11,000 LB. COUNTERWEIGHT  
ON OUTRIGGERS FULLY EXTENDED - OVER REAR  
36 FT. EXTENSION AT 30° OFFSET ANGLE**

Radius in Feet	#2050			
	Main Boom Length in Feet			
	120-G	132-H	144-J	150.5
50	5,660 (78.6)			
55	5,530 (76.9)	5,440 (78.2)		
60	5,420 (75.1)	5,350 (76.6)	5,190 (78)	
65	5,320 (73.3)	5,190 (75)	5,000 (76.5)	4,870 (77.2)
70	5,140 (71.5)	4,990 (73.4)	4,810 (75)	4,700 (75.8)
75	4,940 (69.6)	4,800 (71.7)	4,640 (73.5)	4,540 (74.3)
80	4,760 (67.7)	4,630 (70)	4,470 (72)	4,380 (72.9)
85	4,580 (65.5)	4,460 (68.2)	4,320 (70.4)	4,230 (71.4)
90	4,420 (63.1)	4,310 (66.4)	4,170 (68.8)	4,090 (69.9)
95	4,270 (60.6)	4,160 (64.1)	4,030 (67.1)	3,960 (68.3)
100	4,130 (57.9)	4,020 (61.8)	3,900 (65)	3,820 (66.6)
105	4,010 (55.2)	3,900 (59.4)	3,730 (62.9)	3,580 (64.6)
110	3,890 (52.2)	3,780 (56.9)	3,500 (60.7)	3,360 (62.5)
115	3,780 (49.2)	3,550 (54.3)	3,280 (58.5)	3,100 (60.4)
120	3,650 (45.8)	3,340 (51.6)	3,070 (56.1)	2,760 (58.2)
125	3,440 (42.2)	3,140 (48.7)	2,880 (53.7)	2,450 (56)
130	3,110 (37)	2,950 (45.6)	2,690 (51.1)	2,170 (53.6)
135		2,690 (42.3)	2,440 (48.4)	1,900 (51.1)
140		2,330 (37.4)	2,190 (45.5)	1,640 (48.5)
145			1,960 (42.4)	1,410 (45.7)
150			1,640 (37.8)	1,180 (42.7)
155				970 (38.4)
Min. boom angle for indicated length (no load)	36°	36.4°	36.8°	37.4°
Max. boom length at 0° boom angle (no load)	47.6 ft.	47.6 ft.	47.6 ft.	47.6 ft.

#RCL operating code. Refer to Operator's Manual for operating instructions. 80131244\_30

NOTE: ( ) Boom angles are in degrees.

**BOOM EXTENSION CAPACITY NOTES:**

1. 36 ft. extension length may be used for single line lifting service only.
2. For boom angles not shown, use the rating of the next lower boom angle.

**WARNING:** Operation of this machine with heavier loads than the capacities listed is strictly prohibited. Machine tipping with boom extension occurs rapidly and without advance warning.

3. Boom angle is the angle above or below horizontal of the longitudinal axis of the boom base section after lifting rated load.
4. Capacities listed are with outriggers properly extended and vertical jacks set only.

**RATED LIFTING CAPACITIES IN POUNDS**  
**37 FT. - 151 FT. BOOM**  
**WITH 11,000 LB. COUNTERWEIGHT**  
**ON OUTRIGGERS 50% EXTENDED - 360°**

Radius in Feet	#2401										
	Main Boom Length in Feet										
	36.8	48-A	60-B	72-C	84-D	96-E	108-F	120-G	132-H	144-J	150.5
6	120,000 (74.1)	49,600 (78.5)									
8	107,000 (70.9)	49,600 (76.2)	49,600 (79.5)								
10	96,400 (67.6)	49,600 (73.9)	49,600 (77.7)								
12	85,200 (63.8)	49,600 (71.5)	49,600 (75.9)	49,600 (78.7)							
15	70,550 (57.8)	49,600 (67.8)	49,600 (73.1)	46,700 (76.5)	39,700 (78.9)						
20	41,950 (46.4)	41,700 (60.5)	40,050 (68.3)	38,500 (72.7)	36,100 (75.7)	30,250 (77.8)	23,550 (79.7)				
25	27,100 (30)	28,150 (52.4)	28,550 (62.7)	27,700 (68.7)	26,850 (72.5)	26,000 (75.1)	21,150 (77.3)	18,600 (79)			
30		20,100 (43.1)	20,600 (56.6)	20,950 (64.3)	20,450 (69.1)	19,950 (72.3)	19,100 (74.9)	16,950 (76.8)	14,500 (78.4)	11,300 (79.7)	
35		14,850 (29.8)	15,450 (49.8)	15,750 (59.3)	15,950 (65.5)	15,750 (69.4)	15,400 (72.4)	15,050 (74.6)	13,900 (76.5)	11,300 (78)	10,050 (78.8)
40			11,900 (42.1)	12,200 (53.9)	12,350 (61.2)	12,500 (66.4)	12,400 (69.8)	12,150 (72.4)	11,900 (74.5)	11,300 (76.2)	10,050 (77.1)
45			9,290 (31.5)	9,670 (48.1)	9,850 (56.8)	9,990 (62.8)	10,050 (67.1)	9,960 (70.1)	9,760 (72.5)	9,550 (74.4)	9,370 (75.4)
50			7,250 (15.9)	7,660 (41.6)	7,850 (52.1)	7,990 (59)	8,070 (64)	8,140 (67.8)	8,040 (70.4)	7,870 (72.6)	7,720 (73.6)
55				6,050 (32.7)	6,280 (47)	6,410 (55)	6,490 (60.7)	6,560 (65)	6,610 (68.3)	6,500 (70.7)	6,360 (71.8)
60				4,750 (21)	4,990 (41.3)	5,140 (50.7)	5,210 (57.2)	5,280 (62.1)	5,330 (65.9)	5,350 (68.8)	5,230 (70)
65					3,910 (33.6)	4,090 (46.2)	4,160 (53.6)	4,230 (59.1)	4,280 (63.3)	4,300 (66.7)	4,250 (68.1)
70					3,010 (24.1)	3,190 (41.2)	3,290 (49.7)	3,350 (55.9)	3,390 (60.6)	3,410 (64.3)	3,370 (66)
75					2,260 (8.3)	2,420 (34.3)	2,540 (45.6)	2,600 (52.6)	2,640 (57.7)	2,660 (61.8)	2,620 (63.7)
80						1,760 (26.3)	1,870 (41.1)	1,960 (49.1)	2,000 (54.8)	2,020 (59.3)	1,980 (61.3)
85						1,200 (15.3)	1,300 (35)	1,390 (45.3)	1,440 (51.7)	1,460 (56.7)	1,410 (58.8)
90							790 (27.9)	890 (41.2)	950 (48.5)	960 (53.9)	920 (56.3)
95								510 (45)	530 (51.1)		
Min. boom angle for indicated length (no load)							26.9°	40.2°	44°	50.1°	55.3°
Max. boom length at 0° boom angle (no load)							95.6 ft.				

#RCL operating code. Refer to Operator's Manual for operating instructions.

NOTE: ( ) Boom angles are in degrees.

Boom Angle	Main Boom Length in Feet										
	36.8	48-A	60-B	72-C	84-D	96-E	108-F	120-G	132-H	144-J	150.5
0°	14,400 (28.3)	10,000 (39.5)	6,570 (51.5)	4,000 (63.5)	2,200 (75.5)	960 (87.5)					

NOTE: ( ) Reference radii in feet.

Rated Load Reductions from main boom capacity when lifting over main boom nose with:											
36' lattice	4,300	2,800	2,650	2,500	2,300	2,300	2,300	2,300	2,300	2,300	2,250

80131208



**RATED LIFTING CAPACITIES IN POUNDS**  
**36 FT. FIXED OFFSETABLE BOOM EXTENSION**  
**WITH 11,000 LB. COUNTERWEIGHT**  
**ON OUTRIGGERS 50% EXTENDED - 360°**  
**36 FT. EXTENSION AT 0° OFFSET ANGLE**

Radius in Feet	#2415			
	Main Boom Length in Feet			
	120-G	132-H	144-J	150.5
30	7,720 (80)			
35	7,720 (78.4)	6,370 (79.6)		
40	7,720 (76.8)	6,370 (78.1)	5,200 (79.2)	4,420 (79.8)
45	7,720 (75.2)	6,370 (76.6)	5,200 (77.8)	4,420 (78.5)
50	7,670 (73.5)	6,370 (75.1)	5,200 (76.4)	4,420 (77.1)
55	7,040 (71.8)	6,370 (73.6)	5,200 (75)	4,420 (75.8)
60	5,920 (70.1)	5,660 (72)	5,200 (73.6)	4,420 (74.4)
65	4,910 (68.4)	4,740 (70.5)	4,500 (72.2)	4,340 (73.1)
70	4,030 (66.6)	3,910 (68.8)	3,720 (70.7)	3,560 (71.7)
75	3,280 (64.4)	3,160 (67.2)	3,040 (69.2)	2,890 (70.3)
80	2,640 (62.1)	2,520 (65.2)	2,400 (67.7)	2,300 (68.8)
85	2,080 (59.8)	1,960 (63.2)	1,850 (65.9)	1,750 (67.3)
90	1,580 (57.4)	1,470 (61)	1,350 (64)	1,260 (65.5)
95	1,150 (54.9)	1,030 (58.8)	920 (62.1)	830 (63.7)
100	770 (52.4)	650 (56.6)	540 (60)	
Min. boom angle for indicated length (no load)	51.4°	55.6°	59°	62.7°
Max. boom length at 0° boom angle (no load)	47.6 ft.	47.6 ft.	47.6 ft.	47.6 ft.

#RCL operating code. Refer to Operator's Manual for operating instructions.

80131246\_0

NOTE: ( ) Boom angles are in degrees.

**BOOM EXTENSION CAPACITY NOTES:**

1. 36 ft. extension length may be used for single line lifting service only.
2. For boom angles not shown, use the rating of the next lower boom angle.  
  
**WARNING:** Operation of this machine with heavier loads than the capacities listed is strictly prohibited. Machine tipping with boom extension occurs rapidly and without advance warning.
3. Boom angle is the angle above or below horizontal of the longitudinal axis of the boom base section after lifting rated load.
4. Capacities listed are with outriggers properly extended and vertical jacks set only.

**RATED LIFTING CAPACITIES IN POUNDS  
36 FT. FIXED OFFSETABLE BOOM EXTENSION  
WITH 11,000 LB. COUNTERWEIGHT  
ON OUTRIGGERS 50% EXTENDED - 360°  
36 FT. EXTENSION AT 15° OFFSET ANGLE**

Radius in Feet	#2420			
	Main Boom Length in Feet			
	120-G	132-H	144-J	150.5
40	7,000 (79.5)			
45	6,730 (77.8)			
50	6,540 (76.2)	6,400 (77.6)		
55	6,360 (74.5)	6,150 (76.1)	5,590 (77.4)	4,940 (78)
60	6,100 (72.8)	5,880 (74.5)	5,590 (75.9)	4,940 (76.7)
65	5,650 (71)	5,490 (72.9)	5,270 (74.5)	4,940 (75.3)
70	4,700 (69.2)	4,600 (71.3)	4,430 (73)	4,280 (73.9)
75	3,880 (67.4)	3,790 (69.6)	3,690 (71.6)	3,550 (72.5)
80	3,180 (65.3)	3,090 (68)	3,000 (70)	2,910 (71.1)
85	2,570 (63)	2,480 (66.1)	2,390 (68.5)	2,310 (69.6)
90	2,030 (60.6)	1,940 (64)	1,860 (66.9)	1,770 (68.1)
95	1,560 (58.1)	1,470 (61.8)	1,380 (64.9)	1,300 (66.4)
100	1,140 (55.6)	1,050 (59.5)	960 (62.9)	880 (64.5)
105	760 (52.9)	670 (57.2)	580 (60.8)	500 (62.5)
Min. boom angle for indicated length (no load)	51.9°	56.2°	59.8°	61.5°
Max. boom length at 0° boom angle (no load)	47.6 ft.	47.6 ft.	47.6 ft.	47.6 ft.

#RCL operating code. Refer to Operator's Manual for operating instructions.

80131246\_15

NOTE: ( ) Boom angles are in degrees.

**BOOM EXTENSION CAPACITY NOTES:**

1. 36 ft. extension length may be used for single line lifting service only.
2. For boom angles not shown, use the rating of the next lower boom angle.  
  
**WARNING:** Operation of this machine with heavier loads than the capacities listed is strictly prohibited. Machine tipping with boom extension occurs rapidly and without advance warning.
3. Boom angle is the angle above or below horizontal of the longitudinal axis of the boom base section after lifting rated load.
4. Capacities listed are with outriggers properly extended and vertical jacks set only.

**RATED LIFTING CAPACITIES IN POUNDS  
36 FT. FIXED OFFSETABLE BOOM EXTENSION  
WITH 11,000 LB. COUNTERWEIGHT  
ON OUTRIGGERS 50% EXTENDED - 360°  
36 FT. EXTENSION AT 30° OFFSET ANGLE**

Radius in Feet	#2425			
	Main Boom Length in Feet			
	120-G	132-H	144-J	150.5
50	5,660 (78.6)			
55	5,530 (76.9)	5,440 (78.2)		
60	5,420 (75.1)	5,350 (76.6)	5,190 (78)	
65	5,320 (73.3)	5,190 (75)	5,000 (76.5)	4,870 (77.2)
70	5,140 (71.5)	4,990 (73.4)	4,810 (75)	4,700 (75.8)
75	4,410 (69.6)	4,340 (71.7)	4,260 (73.5)	4,140 (74.3)
80	3,650 (67.7)	3,590 (70)	3,520 (72)	3,440 (72.9)
85	2,990 (65.5)	2,930 (68.2)	2,860 (70.4)	2,790 (71.4)
90	2,410 (63.1)	2,350 (66.4)	2,280 (68.8)	2,210 (69.9)
95	1,890 (60.6)	1,840 (64.1)	1,770 (67.1)	1,700 (68.3)
100	1,430 (57.9)	1,380 (61.8)	1,310 (65)	1,250 (66.6)
105	1,020 (55.2)	960 (59.4)	900 (62.9)	840 (64.6)
110	640 (52.2)	590 (56.9)	530 (60.7)	
Min. boom angle for indicated length (no load)	51.2°	55.9°	59.7°	63.6°
Max. boom length at 0° boom angle (no load)	47.6 ft.	47.6 ft.	47.6 ft.	47.6 ft.

#RCL operating code. Refer to Operator's Manual for operating instructions. 80131246\_30

NOTE: ( ) Boom angles are in degrees.

**BOOM EXTENSION CAPACITY NOTES:**

1. 36 ft. extension length may be used for single line lifting service only.
2. For boom angles not shown, use the rating of the next lower boom angle.  
**WARNING:** Operation of this machine with heavier loads than the capacities listed is strictly prohibited. Machine tipping with boom extension occurs rapidly and without advance warning.
3. Boom angle is the angle above or below horizontal of the longitudinal axis of the boom base section after lifting rated load.
4. Capacities listed are with outriggers properly extended and vertical jacks set only.

**RATED LIFTING CAPACITIES IN POUNDS**  
**37 FT. - 151 FT. BOOM**  
**WITH 11,000 LB. COUNTERWEIGHT**  
**ON OUTRIGGERS 0% EXTENDED - 360°**

Radius in Feet	#2801										
	Main Boom Length in Feet										
	36.8	48-A	60-B	72-C	84-D	96-E	108-F	120-G	132-H	144-J	150.5
6	89,200 (74.1)	49,600 (78.5)									
8	63,350 (70.9)	49,600 (76.2)	49,600 (79.5)								
10	46,500 (67.6)	43,700 (73.9)	40,900 (77.7)								
12	36,000 (63.8)	34,350 (71.5)	32,600 (75.9)	30,900 (78.7)							
15	26,000 (57.8)	25,300 (67.8)	24,400 (73.1)	23,400 (76.5)	22,350 (78.9)						
20	16,000 (46.4)	16,500 (60.5)	16,200 (68.3)	15,750 (72.7)	15,200 (75.7)	14,700 (77.8)	14,150 (79.7)				
25	10,000 (30)	11,100 (52.4)	11,300 (62.7)	11,100 (68.7)	10,800 (72.5)	10,550 (75.1)	10,200 (77.3)	9,910 (79)			
30		7,390 (43.1)	8,010 (56.6)	8,020 (64.3)	7,860 (69.1)	7,690 (72.3)	7,480 (74.9)	7,270 (76.8)	7,060 (78.4)	6,830 (79.7)	
35		4,840 (29.8)	5,490 (49.8)	5,760 (59.3)	5,710 (65.5)	5,610 (69.4)	5,470 (72.4)	5,330 (74.6)	5,190 (76.5)	5,020 (78)	4,870 (78.8)
40			3,630 (42.1)	4,020 (53.9)	4,080 (61.2)	4,030 (66.4)	3,940 (69.8)	3,850 (72.4)	3,740 (74.5)	3,620 (76.2)	3,490 (77.1)
45			2,230 (31.5)	2,620 (48.1)	2,760 (56.8)	2,790 (62.8)	2,730 (67.1)	2,670 (70.1)	2,600 (72.5)	2,500 (74.4)	2,390 (75.4)
50			1,140 (15.9)	1,520 (41.6)	1,700 (52.1)	1,770 (59)	1,760 (64)	1,720 (67.8)	1,670 (70.4)	1,590 (72.6)	1,490 (73.6)
55				630 (32.7)	830 (47)	910 (55)	940 (60.7)	930 (65)	890 (68.3)	840 (70.7)	750 (71.8)
Min. boom angle for indicated length (no load)				31.7°	46°	54°	59.7°	64°	67.3°	69.7°	70.8°
Max. boom length at 0° boom angle (no load)				59.6 ft.							

#RCL operating code. Refer to Operator's Manual for operating instructions.

NOTE: ( ) Boom angles are in degrees.

Boom Angle	Main Boom Length in Feet										
	36.8	48-A	60-B	72-C	84-D	96-E	108-F	120-G	132-H	144-J	150.5
0°	7,420 (28.3)	3,160 (39.5)	870 (51.5)								

NOTE: ( ) Reference radii in feet.

Rated Load Reductions from main boom capacity when lifting over main boom nose with:											
36' lattice	3,950	3,650	3,450	2,300	2,300	2,300	2,300	2,300	2,300	2,300	2,250

80131209

**RATED LIFTING CAPACITIES IN POUNDS**  
**37 FT. - 151 FT. BOOM**  
**WITH 10,000 LB. COUNTERWEIGHT**  
**ON OUTRIGGERS FULLY EXTENDED - 360°**

Radius in Feet	#3001										
	Main Boom Length in Feet										
	36.8	48-A	60-B	72-C	84-D	96-E	108-F	120-G	132-H	144-J	150.5
6	120,000 (74.1)	49,600 (78.5)									
8	101,000 (70.9)	49,600 (76.2)	49,600 (79.5)								
10	88,300 (67.6)	49,600 (73.9)	49,600 (77.7)								
12	78,200 (63.8)	49,600 (71.5)	49,600 (75.9)	49,600 (78.7)							
15	66,350 (57.8)	49,600 (67.8)	49,600 (73.1)	46,700 (76.5)	39,700 (78.9)						
20	52,400 (46.4)	49,600 (60.5)	49,600 (68.3)	42,050 (72.7)	36,100 (75.7)	30,250 (77.8)	23,550 (79.7)				
25	37,450 (30)	43,550 (52.4)	44,150 (62.7)	38,150 (68.7)	32,950 (72.5)	27,400 (75.1)	21,150 (77.3)	18,600 (79)			
30		34,050 (43.1)	34,800 (56.6)	34,950 (64.3)	30,250 (69.1)	24,700 (72.3)	19,100 (74.9)	16,950 (76.8)	14,500 (78.4)	11,300 (79.7)	
35		27,350 (29.8)	28,100 (49.8)	28,600 (59.3)	27,950 (65.5)	22,350 (69.4)	17,250 (72.4)	15,450 (74.6)	13,900 (76.5)	11,300 (78)	10,050 (78.8)
40			23,200 (42.1)	23,700 (53.9)	23,850 (61.2)	20,300 (66.4)	15,700 (69.8)	14,150 (72.4)	12,800 (74.5)	11,300 (76.2)	10,050 (77.1)
45			18,850 (31.5)	19,150 (48.1)	19,300 (56.8)	18,600 (62.8)	14,350 (67.1)	12,950 (70.1)	11,750 (72.5)	10,700 (74.4)	10,050 (75.4)
50			13,100 (15.9)	15,750 (41.6)	15,900 (52.1)	16,000 (59)	13,200 (64)	11,900 (67.8)	10,850 (70.4)	9,930 (72.6)	9,470 (73.6)
55				13,100 (32.7)	13,250 (47)	13,400 (55)	12,150 (60.7)	11,000 (65)	10,000 (68.3)	9,200 (70.7)	8,780 (71.8)
60				11,100 (21)	11,200 (41.3)	11,300 (50.7)	11,250 (57.2)	10,150 (62.1)	9,300 (65.9)	8,540 (68.8)	8,160 (70)
65					9,590 (33.6)	9,720 (46.2)	9,790 (53.6)	9,460 (59.1)	8,640 (63.3)	7,940 (66.7)	7,590 (68.1)
70					8,200 (24.1)	8,310 (41.2)	8,380 (49.7)	8,450 (55.9)	8,030 (60.6)	7,380 (64.3)	7,070 (66)
75					5,400 (8.3)	7,140 (34.3)	7,200 (45.6)	7,270 (52.6)	7,310 (57.7)	6,840 (61.8)	6,550 (63.7)
80						6,140 (26.3)	6,200 (41.1)	6,260 (49.1)	6,300 (54.8)	6,260 (59.3)	5,980 (61.3)
85						5,290 (15.3)	5,330 (35)	5,390 (45.3)	5,430 (51.7)	5,450 (56.7)	5,400 (58.8)
90							4,580 (27.9)	4,630 (41.2)	4,670 (48.5)	4,690 (53.9)	4,640 (56.3)
95							3,930 (19)	3,970 (35.6)	4,010 (45)	4,020 (51.1)	3,980 (53.7)
100								3,390 (29.3)	3,420 (41.2)	3,430 (48)	3,390 (50.9)
105								2,870 (21.7)	2,900 (36.1)	2,910 (44.8)	2,860 (48)
110								2,420 (10.7)	2,430 (30.3)	2,440 (41.3)	2,390 (45)
115									2,010 (23.7)	2,010 (36.5)	1,970 (41.6)
120									1,640 (15.1)	1,630 (31.3)	1,580 (37)
125										1,280 (25.4)	1,230 (32.1)
130										970 (18.1)	920 (26.5)
135											630 (19.9)
Min. boom angle for indicated length (no load)								9.7°	14.1°	17.1°	18.9°
Max. boom length at 0° boom angle (no load)								107.6 ft.			

#RCL operating code. Refer to Operator's Manual for operating instructions.

NOTE: ( ) Boom angles are in degrees.

Boom Angle	Main Boom Length in Feet										
	36.8	48-A	60-B	72-C	84-D	96-E	108-F	120-G	132-H	144-J	150.5
0°	14,400 (28.3)	10,000 (39.5)	6,570 (51.5)	4,360 (63.5)	2,820 (75.5)	1,690 (87.5)	820 (99.5)				

NOTE: ( ) Reference radii in feet.

Rated Load Reductions from main boom capacity when lifting over main boom nose with:											
36° lattice	2,300	2,300	2,300	2,300	2,300	2,300	2,300	2,300	2,300	2,300	2,250

80131299

**RATED LIFTING CAPACITIES IN POUNDS  
36 FT. FIXED OFFSETABLE BOOM EXTENSION  
WITH 10,000 LB. COUNTERWEIGHT  
ON OUTRIGGERS FULLY EXTENDED - 360°  
36 FT. EXTENSION AT 0° OFFSET ANGLE**

Radius in Feet	#3015			
	Main Boom Length in Feet			
	120-G	132-H	144-J	150.5
30	7,720 (80)			
35	7,720 (78.4)	6,370 (79.6)		
40	7,720 (76.8)	6,370 (78.1)	5,200 (79.2)	4,420 (79.8)
45	7,720 (75.2)	6,370 (76.6)	5,200 (77.8)	4,420 (78.5)
50	7,670 (73.5)	6,370 (75.1)	5,200 (76.4)	4,420 (77.1)
55	7,260 (71.8)	6,370 (73.6)	5,200 (75)	4,420 (75.8)
60	6,880 (70.1)	6,370 (72)	5,200 (73.6)	4,420 (74.4)
65	6,520 (68.4)	6,260 (70.5)	5,200 (72.2)	4,420 (73.1)
70	6,180 (66.6)	5,960 (68.8)	5,200 (70.7)	4,420 (71.7)
75	5,870 (64.4)	5,690 (67.2)	5,200 (69.2)	4,420 (70.3)
80	5,580 (62.1)	5,400 (65.2)	4,990 (67.7)	4,420 (68.8)
85	5,310 (59.8)	5,060 (63.2)	4,680 (65.9)	4,420 (67.3)
90	5,070 (57.4)	4,750 (61)	4,380 (64)	4,200 (65.5)
95	4,700 (54.9)	4,450 (58.8)	4,100 (62.1)	3,930 (63.7)
100	4,110 (52.4)	3,990 (56.6)	3,840 (60)	3,670 (61.8)
105	3,580 (49.7)	3,460 (54.3)	3,340 (58)	3,250 (59.8)
110	3,110 (46.9)	2,990 (51.9)	2,870 (55.9)	2,770 (57.8)
115	2,680 (44)	2,560 (49.4)	2,440 (53.7)	2,350 (55.7)
120	2,300 (40.8)	2,180 (46.7)	2,060 (51.4)	1,960 (53.6)
125	1,950 (36.3)	1,830 (44)	1,710 (49.1)	1,610 (51.4)
130	1,640 (31.5)	1,510 (40.9)	1,390 (46.6)	1,290 (49.2)
135	1,350 (26.2)	1,220 (36.8)	1,100 (44)	1,000 (46.8)
140	1,090 (20)	950 (32.3)	830 (41.2)	730 (44.3)
145	870 (11.7)	710 (27.4)	580 (37.2)	
Min. boom angle for indicated length (no load)	10.7°	26.4°	36.2°	43.3°
Max. boom length at 0° boom angle (no load)	47.6 ft.	47.6 ft.	47.6 ft.	47.6 ft.

#RCL operating code. Refer to Operator's Manual for operating instructions.

80132634\_0

NOTE: ( ) Boom angles are in degrees.

**BOOM EXTENSION CAPACITY NOTES:**

1. 36 ft. extension length may be used for single line lifting service only.
  2. For boom angles not shown, use the rating of the next lower boom angle.
- WARNING:** Operation of this machine with heavier loads than the capacities listed is strictly prohibited. Machine tipping with boom extension occurs rapidly and without advance warning.
3. Boom angle is the angle above or below horizontal of the longitudinal axis of the boom base section after lifting rated load.
  4. Capacities listed are with outriggers properly extended and vertical jacks set only.

**RATED LIFTING CAPACITIES IN POUNDS  
36 FT. FIXED OFFSETABLE BOOM EXTENSION  
WITH 10,000 LB. COUNTERWEIGHT  
ON OUTRIGGERS FULLY EXTENDED - 360°  
36 FT. EXTENSION AT 15° OFFSET ANGLE**

Radius in Feet	#3020			
	Main Boom Length in Feet			
	120-G	132-H	144-J	150.5
40	7,000 (79.5)			
45	6,730 (77.8)			
50	6,540 (76.2)	6,400 (77.6)		
55	6,360 (74.5)	6,150 (76.1)	5,590 (77.4)	4,940 (78)
60	6,100 (72.8)	5,880 (74.5)	5,590 (75.9)	4,940 (76.7)
65	5,810 (71)	5,620 (72.9)	5,370 (74.5)	4,940 (75.3)
70	5,550 (69.2)	5,380 (71.3)	5,160 (73)	4,940 (73.9)
75	5,300 (67.4)	5,150 (69.6)	4,960 (71.6)	4,840 (72.5)
80	5,070 (65.3)	4,930 (68)	4,760 (70)	4,660 (71.1)
85	4,860 (63)	4,730 (66.1)	4,580 (68.5)	4,480 (69.6)
90	4,660 (60.6)	4,550 (64)	4,400 (66.9)	4,250 (68.1)
95	4,480 (58.1)	4,370 (61.8)	4,150 (64.9)	3,980 (66.4)
100	4,310 (55.6)	4,200 (59.5)	3,890 (62.9)	3,730 (64.5)
105	3,920 (52.9)	3,830 (57.2)	3,650 (60.8)	3,500 (62.5)
110	3,410 (50.1)	3,330 (54.8)	3,240 (58.7)	3,150 (60.5)
115	2,960 (47.1)	2,870 (52.3)	2,780 (56.5)	2,700 (58.4)
120	2,540 (43.9)	2,450 (49.7)	2,360 (54.2)	2,280 (56.3)
125	2,160 (40.3)	2,070 (46.9)	1,990 (51.8)	1,910 (54.1)
130	1,810 (35.2)	1,730 (43.9)	1,640 (49.3)	1,560 (51.8)
135	1,490 (29.6)	1,410 (40.5)	1,320 (46.7)	1,240 (49.4)
140	1,200 (23)	1,120 (35.8)	1,030 (43.9)	950 (46.9)
145		840 (30.6)	760 (40.7)	680 (44.2)
150		590 (24.7)	510 (36.3)	
Min. boom angle for indicated length (no load)	22°	23.7°	35.3°	43.2°
Max. boom length at 0° boom angle (no load)	47.6 ft.	47.6 ft.	47.6 ft.	47.6 ft.

#RCL operating code. Refer to Operator's Manual for operating instructions. 80132634\_15

NOTE: ( ) Boom angles are in degrees.

**BOOM EXTENSION CAPACITY NOTES:**

- 36 ft. extension length may be used for single line lifting service only.
- For boom angles not shown, use the rating of the next lower boom angle.  
**WARNING:** Operation of this machine with heavier loads than the capacities listed is strictly prohibited. Machine tipping with boom extension occurs rapidly and without advance warning.
- Boom angle is the angle above or below horizontal of the longitudinal axis of the boom base section after lifting rated load.
- Capacities listed are with outriggers properly extended and vertical jacks set only.

**RATED LIFTING CAPACITIES IN POUNDS  
36 FT. FIXED OFFSETABLE BOOM EXTENSION  
WITH 10,000 LB. COUNTERWEIGHT  
ON OUTRIGGERS FULLY EXTENDED - 360°  
36 FT. EXTENSION AT 30° OFFSET ANGLE**

Radius in Feet	#3025			
	Main Boom Length in Feet			
	120-G	132-H	144-J	150.5
50	5,660 (78.6)			
55	5,530 (76.9)	5,440 (78.2)		
60	5,420 (75.1)	5,350 (76.6)	5,190 (78)	
65	5,320 (73.3)	5,190 (75)	5,000 (76.5)	4,870 (77.2)
70	5,140 (71.5)	4,990 (73.4)	4,810 (75)	4,700 (75.8)
75	4,940 (69.6)	4,800 (71.7)	4,640 (73.5)	4,540 (74.3)
80	4,760 (67.7)	4,630 (70)	4,470 (72)	4,380 (72.9)
85	4,580 (65.5)	4,460 (68.2)	4,320 (70.4)	4,230 (71.4)
90	4,420 (63.1)	4,310 (66.4)	4,170 (68.8)	4,090 (69.9)
95	4,270 (60.6)	4,160 (64.1)	4,030 (67.1)	3,960 (68.3)
100	4,130 (57.9)	4,020 (61.8)	3,900 (65)	3,820 (66.6)
105	4,010 (55.2)	3,900 (59.4)	3,730 (62.9)	3,580 (64.6)
110	3,650 (52.2)	3,590 (56.9)	3,500 (60.7)	3,360 (62.5)
115	3,150 (49.2)	3,110 (54.3)	3,050 (58.5)	2,980 (60.4)
120	2,700 (45.8)	2,660 (51.6)	2,600 (56.1)	2,540 (58.2)
125	2,290 (42.2)	2,250 (48.7)	2,200 (53.7)	2,130 (56)
130	1,910 (37)	1,880 (45.6)	1,830 (51.1)	1,760 (53.6)
135		1,530 (42.3)	1,490 (48.4)	1,420 (51.1)
140		1,210 (37.4)	1,170 (45.5)	1,110 (48.5)
145			870 (42.4)	820 (45.7)
150			600 (37.8)	540 (42.7)
Min. boom angle for indicated length (no load)	36°	36.4°	36.8°	41.7°
Max. boom length at 0° boom angle (no load)	47.6 ft.	47.6 ft.	47.6 ft.	47.6 ft.

#RCL operating code. Refer to Operator's Manual for operating instructions. 80132634\_30

NOTE: ( ) Boom angles are in degrees.

**BOOM EXTENSION CAPACITY NOTES:**

- 36 ft. extension length may be used for single line lifting service only.
- For boom angles not shown, use the rating of the next lower boom angle.  
**WARNING:** Operation of this machine with heavier loads than the capacities listed is strictly prohibited. Machine tipping with boom extension occurs rapidly and without advance warning.
- Boom angle is the angle above or below horizontal of the longitudinal axis of the boom base section after lifting rated load.
- Capacities listed are with outriggers properly extended and vertical jacks set only.



**RATED LIFTING CAPACITIES IN POUNDS**  
**37 FT. - 151 FT. BOOM**  
**WITH 10,000 LB. COUNTERWEIGHT**  
**ON OUTRIGGERS FULLY EXTENDED - OVER REAR**

Radius in Feet	#3026										
	Main Boom Length in Feet										
	36.8	48-A	60-B	72-C	84-D	96-E	108-F	120-G	132-H	144-J	150.5
6	120,000 (74.1)	49,600 (78.5)									
8	107,000 (70.9)	49,600 (76.2)	49,600 (79.5)								
10	96,050 (67.6)	49,600 (73.9)	49,600 (77.7)								
12	86,200 (63.8)	49,600 (71.5)	49,600 (75.9)	49,600 (78.7)							
15	74,400 (57.8)	49,600 (67.8)	49,600 (73.1)	46,700 (76.5)	39,700 (78.9)						
20	60,050 (46.4)	49,600 (60.5)	49,600 (68.3)	42,050 (72.7)	36,100 (75.7)	30,250 (77.8)	23,550 (79.7)				
25	37,450 (30)	46,550 (52.4)	45,850 (62.7)	38,150 (68.7)	32,950 (72.5)	27,400 (75.1)	21,150 (77.3)	18,600 (79)			
30		37,050 (43.1)	37,550 (56.6)	34,950 (64.3)	30,250 (69.1)	24,700 (72.3)	19,100 (74.9)	16,950 (76.8)	14,500 (78.4)	11,300 (79.7)	
35		27,400 (29.8)	30,800 (49.8)	31,150 (59.3)	27,950 (65.5)	22,350 (69.4)	17,250 (72.4)	15,450 (74.6)	13,900 (76.5)	11,300 (78)	10,050 (78.8)
40			25,800 (42.1)	26,150 (53.9)	25,950 (61.2)	20,300 (66.4)	15,700 (69.8)	14,150 (72.4)	12,800 (74.5)	11,300 (76.2)	10,050 (77.1)
45			21,450 (31.5)	21,750 (48.1)	21,900 (56.8)	18,600 (62.8)	14,350 (67.1)	12,950 (70.1)	11,750 (72.5)	10,700 (74.4)	10,050 (75.4)
50			13,100 (15.9)	18,150 (41.6)	18,300 (52.1)	17,100 (59)	13,200 (64)	11,900 (67.8)	10,850 (70.4)	9,930 (72.6)	9,470 (73.6)
55				15,350 (32.7)	15,500 (47)	15,600 (55)	12,150 (60.7)	11,000 (65)	10,000 (68.3)	9,200 (70.7)	8,780 (71.8)
60				12,000 (21)	13,250 (41.3)	13,350 (50.7)	11,250 (57.2)	10,150 (62.1)	9,300 (65.9)	8,540 (68.8)	8,160 (70)
65					11,450 (33.6)	11,550 (46.2)	10,450 (53.6)	9,460 (59.1)	8,640 (63.3)	7,940 (66.7)	7,590 (68.1)
70					10,000 (24.1)	10,100 (41.2)	9,760 (49.7)	8,800 (55.9)	8,030 (60.6)	7,380 (64.3)	7,070 (66)
75					5,400 (8.3)	8,830 (34.3)	8,890 (45.6)	8,210 (52.6)	7,460 (57.7)	6,840 (61.8)	6,550 (63.7)
80						7,730 (26.3)	7,790 (41.1)	7,580 (49.1)	6,840 (54.8)	6,260 (59.3)	5,980 (61.3)
85						5,950 (15.3)	6,830 (35)	6,890 (45.3)	6,290 (51.7)	5,720 (56.7)	5,460 (58.8)
90							6,000 (27.9)	6,050 (41.2)	5,780 (48.5)	5,240 (53.9)	4,990 (56.3)
95							5,260 (19)	5,320 (35.6)	5,310 (45)	4,790 (51.1)	4,550 (53.7)
100								4,670 (29.3)	4,700 (41.2)	4,380 (48)	4,150 (50.9)
105								4,090 (21.7)	4,120 (36.1)	4,000 (44.8)	3,730 (48)
110								2,440 (10.7)	3,600 (30.3)	3,600 (41.3)	3,340 (45)
115									3,120 (23.7)	3,130 (36.5)	2,980 (41.6)
120									2,590 (15.1)	2,700 (31.3)	2,650 (37)
125										2,320 (25.4)	2,270 (32.1)
130										1,950 (18.1)	1,910 (26.5)
135											1,580 (19.9)
140											720 (10.5)
Min. boom angle for indicated length (no load)								9.5°	9.5°	9.5°	9.5°
Max. boom length at 0° boom angle (no load)								107.6 ft.			

#RCL operating code. Refer to Operator's Manual for operating instructions.

NOTE: ( ) Boom angles are in degrees.

Boom Angle	Main Boom Length in Feet										
	36.8	48-A	60-B	72-C	84-D	96-E	108-F	120-G	132-H	144-J	150.5
0°	14,400 (28.3)	10,000 (39.5)	6,570 (51.5)	4,360 (63.5)	2,820 (75.5)	1,690 (87.5)	820 (99.5)				

NOTE: ( ) Reference radii in feet.

Rated Load Reductions from main boom capacity when lifting over main boom nose with:											
36' lattice	2,650	2,300	2,300	2,300	2,300	2,300	2,300	2,300	2,300	2,300	2,250

80132630

**RATED LIFTING CAPACITIES IN POUNDS  
36 FT. FIXED OFFSETABLE BOOM EXTENSION  
WITH 10,000 LB. COUNTERWEIGHT  
ON OUTRIGGERS FULLY EXTENDED - OVER REAR  
36 FT. EXTENSION AT 0° OFFSET ANGLE**

Radius in Feet	#3040			
	Main Boom Length in Feet			
	120-G	132-H	144-J	150.5
30	7,720 (80)			
35	7,720 (78.4)	6,370 (79.6)		
40	7,720 (76.8)	6,370 (78.1)	5,200 (79.2)	4,420 (79.8)
45	7,720 (75.2)	6,370 (76.6)	5,200 (77.8)	4,420 (78.5)
50	7,670 (73.5)	6,370 (75.1)	5,200 (76.4)	4,420 (77.1)
55	7,260 (71.8)	6,370 (73.6)	5,200 (75)	4,420 (75.8)
60	6,880 (70.1)	6,370 (72)	5,200 (73.6)	4,420 (74.4)
65	6,520 (68.4)	6,260 (70.5)	5,200 (72.2)	4,420 (73.1)
70	6,180 (66.6)	5,960 (68.8)	5,200 (70.7)	4,420 (71.7)
75	5,870 (64.4)	5,690 (67.2)	5,200 (69.2)	4,420 (70.3)
80	5,580 (62.1)	5,400 (65.2)	4,990 (67.7)	4,420 (68.8)
85	5,310 (59.8)	5,060 (63.2)	4,680 (65.9)	4,420 (67.3)
90	5,070 (57.4)	4,750 (61)	4,380 (64)	4,200 (65.5)
95	4,830 (54.9)	4,450 (58.8)	4,100 (62.1)	3,930 (63.7)
100	4,540 (52.4)	4,170 (56.6)	3,840 (60)	3,670 (61.8)
105	4,270 (49.7)	3,920 (54.3)	3,600 (58)	3,430 (59.8)
110	4,020 (46.9)	3,680 (51.9)	3,370 (55.9)	3,070 (57.8)
115	3,780 (44)	3,450 (49.4)	3,150 (53.7)	2,730 (55.7)
120	3,360 (40.8)	3,230 (46.7)	2,900 (51.4)	2,420 (53.6)
125	2,970 (36.3)	2,840 (44)	2,640 (49.1)	2,130 (51.4)
130	2,610 (31.5)	2,490 (40.9)	2,370 (46.6)	1,870 (49.2)
135	2,290 (26.2)	2,160 (36.8)	2,040 (44)	1,630 (46.8)
140	2,000 (20)	1,860 (32.3)	1,740 (41.2)	1,400 (44.3)
145	1,320 (11.7)	1,590 (27.4)	1,460 (37.2)	1,190 (41.6)
150		1,340 (21.8)	1,200 (33)	990 (37.8)
155		1,110 (14.9)	970 (28.5)	810 (33.7)
160			750 (23.4)	640 (29.3)
165			560 (17.3)	
Min. boom angle for indicated length (no load)	10.7°	13.9°	16.3°	28.3°
Max. boom length at 0° boom angle (no load)	47.6 ft.	47.6 ft.	47.6 ft.	47.6 ft.

#RCL operating code. Refer to Operator's Manual for operating instructions.

80132635\_0

NOTE: ( ) Boom angles are in degrees.

**BOOM EXTENSION CAPACITY NOTES:**

1. 36 ft. extension length may be used for single line lifting service only.
2. For boom angles not shown, use the rating of the next lower boom angle.  
**WARNING:** Operation of this machine with heavier loads than the capacities listed is strictly prohibited. Machine tipping with boom extension occurs rapidly and without advance warning.
3. Boom angle is the angle above or below horizontal of the longitudinal axis of the boom base section after lifting rated load.
4. Capacities listed are with outriggers properly extended and vertical jacks set only.

**RATED LIFTING CAPACITIES IN POUNDS  
36 FT. FIXED OFFSETABLE BOOM EXTENSION  
WITH 10,000 LB. COUNTERWEIGHT  
ON OUTRIGGERS FULLY EXTENDED - OVER REAR  
36 FT. EXTENSION AT 15° OFFSET ANGLE**

Radius in Feet	#3045			
	Main Boom Length in Feet			
	120-G	132-H	144-J	150.5
40	7,000 (79.5)			
45	6,730 (77.8)			
50	6,540 (76.2)	6,400 (77.6)		
55	6,360 (74.5)	6,150 (76.1)	5,590 (77.4)	4,940 (78)
60	6,100 (72.8)	5,880 (74.5)	5,590 (75.9)	4,940 (76.7)
65	5,810 (71)	5,620 (72.9)	5,370 (74.5)	4,940 (75.3)
70	5,550 (69.2)	5,380 (71.3)	5,160 (73)	4,940 (73.9)
75	5,300 (67.4)	5,150 (69.6)	4,960 (71.6)	4,840 (72.5)
80	5,070 (65.3)	4,930 (68)	4,760 (70)	4,660 (71.1)
85	4,860 (63)	4,730 (66.1)	4,580 (68.5)	4,480 (69.6)
90	4,660 (60.6)	4,550 (64)	4,400 (66.9)	4,250 (68.1)
95	4,480 (58.1)	4,370 (61.8)	4,150 (64.9)	3,980 (66.4)
100	4,310 (55.6)	4,200 (59.5)	3,890 (62.9)	3,730 (64.5)
105	4,150 (52.9)	3,950 (57.2)	3,650 (60.8)	3,500 (62.5)
110	4,010 (50.1)	3,710 (54.8)	3,420 (58.7)	3,270 (60.5)
115	3,810 (47.1)	3,490 (52.3)	3,200 (56.5)	2,940 (58.4)
120	3,590 (43.9)	3,280 (49.7)	3,000 (54.2)	2,610 (56.3)
125	3,170 (40.3)	3,080 (46.9)	2,810 (51.8)	2,320 (54.1)
130	2,780 (35.2)	2,700 (43.9)	2,560 (49.3)	2,040 (51.8)
135	2,430 (29.6)	2,350 (40.5)	2,260 (46.7)	1,780 (49.4)
140	2,100 (23)	2,020 (35.8)	1,940 (43.9)	1,550 (46.9)
145		1,720 (30.6)	1,640 (40.7)	1,320 (44.2)
150		1,440 (24.7)	1,360 (36.3)	1,110 (41.1)
155		1,180 (17.3)	1,100 (31.5)	910 (36.9)
160			860 (26.1)	730 (32.3)
165			630 (19.7)	550 (27.2)
Min. boom angle for indicated length (no load)	16.3°	16.3°	18.7°	26.2°
Max. boom length at 0° boom angle (no load)	47.6 ft.	47.6 ft.	47.6 ft.	47.6 ft.

#RCL operating code. Refer to Operator's Manual for operating instructions. 80132635\_15

NOTE: ( ) Boom angles are in degrees.

**BOOM EXTENSION CAPACITY NOTES:**

1. 36 ft. extension length may be used for single line lifting service only.
2. For boom angles not shown, use the rating of the next lower boom angle.

**WARNING:** Operation of this machine with heavier loads than the capacities listed is strictly prohibited. Machine tipping with boom extension occurs rapidly and without advance warning.

3. Boom angle is the angle above or below horizontal of the longitudinal axis of the boom base section after lifting rated load.
4. Capacities listed are with outriggers properly extended and vertical jacks set only.

**RATED LIFTING CAPACITIES IN POUNDS  
36 FT. FIXED OFFSETABLE BOOM EXTENSION  
WITH 10,000 LB. COUNTERWEIGHT  
ON OUTRIGGERS FULLY EXTENDED - OVER REAR  
36 FT. EXTENSION AT 30° OFFSET ANGLE**

Radius in Feet	#3050			
	Main Boom Length in Feet			
	120-G	132-H	144-J	150.5
50	5,660 (78.6)			
55	5,530 (76.9)	5,440 (78.2)		
60	5,420 (75.1)	5,350 (76.6)	5,190 (78)	
65	5,320 (73.3)	5,190 (75)	5,000 (76.5)	4,870 (77.2)
70	5,140 (71.5)	4,990 (73.4)	4,810 (75)	4,700 (75.8)
75	4,940 (69.6)	4,800 (71.7)	4,640 (73.5)	4,540 (74.3)
80	4,760 (67.7)	4,630 (70)	4,470 (72)	4,380 (72.9)
85	4,580 (65.5)	4,460 (68.2)	4,320 (70.4)	4,230 (71.4)
90	4,420 (63.1)	4,310 (66.4)	4,170 (68.8)	4,090 (69.9)
95	4,270 (60.6)	4,160 (64.1)	4,030 (67.1)	3,960 (68.3)
100	4,130 (57.9)	4,020 (61.8)	3,900 (65)	3,820 (66.6)
105	4,010 (55.2)	3,900 (59.4)	3,730 (62.9)	3,580 (64.6)
110	3,890 (52.2)	3,780 (56.9)	3,500 (60.7)	3,360 (62.5)
115	3,780 (49.2)	3,550 (54.3)	3,280 (58.5)	3,100 (60.4)
120	3,650 (45.8)	3,340 (51.6)	3,070 (56.1)	2,760 (58.2)
125	3,300 (42.2)	3,140 (48.7)	2,880 (53.7)	2,450 (56)
130	2,880 (37)	2,850 (45.6)	2,690 (51.1)	2,170 (53.6)
135		2,470 (42.3)	2,420 (48.4)	1,900 (51.1)
140		2,120 (37.4)	2,070 (45.5)	1,640 (48.5)
145			1,750 (42.4)	1,410 (45.7)
150			1,450 (37.8)	1,180 (42.7)
155				970 (38.4)
Min. boom angle for indicated length (no load)	36°	36.4°	36.8°	37.4°
Max. boom length at 0° boom angle (no load)	47.6 ft.	47.6 ft.	47.6 ft.	47.6 ft.

#RCL operating code. Refer to Operator's Manual for operating instructions. 80132635\_30

NOTE: ( ) Boom angles are in degrees.

**BOOM EXTENSION CAPACITY NOTES:**

1. 36 ft. extension length may be used for single line lifting service only.
2. For boom angles not shown, use the rating of the next lower boom angle.

**WARNING:** Operation of this machine with heavier loads than the capacities listed is strictly prohibited. Machine tipping with boom extension occurs rapidly and without advance warning.

3. Boom angle is the angle above or below horizontal of the longitudinal axis of the boom base section after lifting rated load.
4. Capacities listed are with outriggers properly extended and vertical jacks set only.

**RATED LIFTING CAPACITIES IN POUNDS**  
**37 FT. - 151 FT. BOOM**  
**WITH 10,000 LB. COUNTERWEIGHT**  
**ON OUTRIGGERS 50% EXTENDED - 360°**

Radius in Feet	#3401										
	Main Boom Length in Feet										
	36.8	48-A	60-B	72-C	84-D	96-E	108-F	120-G	132-H	144-J	150.5
6	120,000 (74.1)	49,600 (78.5)									
8	107,000 (70.9)	49,600 (76.2)	49,600 (79.5)								
10	96,050 (67.6)	49,600 (73.9)	49,600 (77.7)								
12	84,850 (63.8)	49,600 (71.5)	49,600 (75.9)	49,600 (78.7)							
15	67,500 (57.8)	49,600 (67.8)	49,600 (73.1)	46,700 (76.5)	39,700 (78.9)						
20	40,050 (46.4)	39,800 (60.5)	38,250 (68.3)	36,750 (72.7)	35,250 (75.7)	30,250 (77.8)	23,550 (79.7)				
25	25,750 (30)	26,800 (52.4)	27,150 (62.7)	26,350 (68.7)	25,550 (72.5)	24,750 (75.1)	21,150 (77.3)	18,600 (79)			
30		19,050 (43.1)	19,600 (56.6)	19,900 (64.3)	19,400 (69.1)	18,950 (72.3)	18,400 (74.9)	16,950 (76.8)	14,500 (78.4)	11,300 (79.7)	
35		14,000 (29.8)	14,600 (49.8)	14,900 (59.3)	15,100 (65.5)	14,900 (69.4)	14,550 (72.4)	14,200 (74.6)	13,850 (76.5)	11,300 (78)	10,050 (78.8)
40			11,200 (42.1)	11,500 (53.9)	11,650 (61.2)	11,750 (66.4)	11,650 (69.8)	11,450 (72.4)	11,200 (74.5)	10,900 (76.2)	10,050 (77.1)
45			8,660 (31.5)	9,050 (48.1)	9,230 (56.8)	9,370 (62.8)	9,450 (67.1)	9,310 (70.1)	9,120 (72.5)	8,920 (74.4)	8,750 (75.4)
50			6,710 (15.9)	7,110 (41.6)	7,300 (52.1)	7,440 (59)	7,520 (64)	7,590 (67.8)	7,460 (70.4)	7,300 (72.6)	7,150 (73.6)
55				5,560 (32.7)	5,790 (47)	5,920 (55)	6,000 (60.7)	6,070 (65)	6,110 (68.3)	5,980 (70.7)	5,850 (71.8)
60				4,310 (21)	4,550 (41.3)	4,700 (50.7)	4,770 (57.2)	4,840 (62.1)	4,890 (65.9)	4,880 (68.8)	4,760 (70)
65					3,510 (33.6)	3,690 (46.2)	3,760 (53.6)	3,830 (59.1)	3,870 (63.3)	3,890 (66.7)	3,840 (68.1)
70					2,640 (24.1)	2,820 (41.2)	2,910 (49.7)	2,980 (55.9)	3,020 (60.6)	3,040 (64.3)	3,000 (66)
75					1,920 (8.3)	2,080 (34.3)	2,190 (45.6)	2,260 (52.6)	2,300 (57.7)	2,320 (61.8)	2,280 (63.7)
80						1,440 (26.3)	1,550 (41.1)	1,640 (49.1)	1,680 (54.8)	1,700 (59.3)	1,660 (61.3)
85						900 (15.3)	1,000 (35)	1,090 (45.3)	1,140 (51.7)	1,160 (56.7)	1,110 (58.8)
90							510 (27.9)	600 (41.2)	670 (48.5)	680 (53.9)	640 (56.3)
Min. boom angle for indicated length (no load)							26.9°	40.2°	47.5°	52.9°	55.3°
Max. boom length at 0° boom angle (no load)							95.6 ft.				

#RCL operating code. Refer to Operator's Manual for operating instructions.

NOTE: ( ) Boom angles are in degrees.

Boom Angle	Main Boom Length in Feet										
	36.8	48-A	60-B	72-C	84-D	96-E	108-F	120-G	132-H	144-J	150.5
0°	14,400 (28.3)	10,000 (39.5)	6,210 (51.5)	3,580 (63.5)	1,860 (75.5)	670 (87.5)					

NOTE: ( ) Reference radii in feet.

Rated Load Reductions from main boom capacity when lifting over main boom nose with:											
36' lattice	4,300	2,800	2,650	2,500	2,300	2,300	2,300	2,300	2,300	2,300	2,250

80132632

**RATED LIFTING CAPACITIES IN POUNDS**  
**36 FT. FIXED OFFSETABLE BOOM EXTENSION**  
**WITH 10,000 LB. COUNTERWEIGHT**  
**ON OUTRIGGERS 50% EXTENDED - 360°**  
**36 FT. EXTENSION AT 0° OFFSET ANGLE**

Radius in Feet	#3415			
	Main Boom Length in Feet			
	120-G	132-H	144-J	150.5
30	7,720 (80)			
35	7,720 (78.4)	6,370 (79.6)		
40	7,720 (76.8)	6,370 (78.1)	5,200 (79.2)	4,420 (79.8)
45	7,720 (75.2)	6,370 (76.6)	5,200 (77.8)	4,420 (78.5)
50	7,670 (73.5)	6,370 (75.1)	5,200 (76.4)	4,420 (77.1)
55	6,530 (71.8)	6,260 (73.6)	5,200 (75)	4,420 (75.8)
60	5,460 (70.1)	5,200 (72)	4,960 (73.6)	4,420 (74.4)
65	4,510 (68.4)	4,310 (70.5)	4,080 (72.2)	3,920 (73.1)
70	3,660 (66.6)	3,540 (68.8)	3,330 (70.7)	3,170 (71.7)
75	2,940 (64.4)	2,820 (67.2)	2,670 (69.2)	2,520 (70.3)
80	2,320 (62.1)	2,200 (65.2)	2,080 (67.7)	1,950 (68.8)
85	1,780 (59.8)	1,660 (63.2)	1,550 (65.9)	1,450 (67.3)
90	1,300 (57.4)	1,190 (61)	1,070 (64)	980 (65.5)
95	890 (54.9)	770 (58.8)	660 (62.1)	560 (63.7)
100	520 (52.4)			
Min. boom angle for indicated length (no load)	51.4°	57.8°	61.1°	62.7°
Max. boom length at 0° boom angle (no load)	47.6 ft.	47.6 ft.	47.6 ft.	47.6 ft.

#RCL operating code. Refer to Operator's Manual for operating instructions. 80132637\_0

NOTE: ( ) Boom angles are in degrees.

**BOOM EXTENSION CAPACITY NOTES:**

1. 36 ft. extension length may be used for single line lifting service only.
2. For boom angles not shown, use the rating of the next lower boom angle.

**WARNING:** Operation of this machine with heavier loads than the capacities listed is strictly prohibited. Machine tipping with boom extension occurs rapidly and without advance warning.

3. Boom angle is the angle above or below horizontal of the longitudinal axis of the boom base section after lifting rated load.
4. Capacities listed are with outriggers properly extended and vertical jacks set only.

**RATED LIFTING CAPACITIES IN POUNDS  
36 FT. FIXED OFFSETABLE BOOM EXTENSION  
WITH 10,000 LB. COUNTERWEIGHT  
ON OUTRIGGERS 50% EXTENDED - 360°  
36 FT. EXTENSION AT 15° OFFSET ANGLE**

Radius in Feet	#3420			
	Main Boom Length in Feet			
	120-G	132-H	144-J	150.5
40	7,000 (79.5)			
45	6,730 (77.8)			
50	6,540 (76.2)	6,400 (77.6)		
55	6,360 (74.5)	6,150 (76.1)	5,590 (77.4)	4,940 (78)
60	6,100 (72.8)	5,880 (74.5)	5,590 (75.9)	4,940 (76.7)
65	5,250 (71)	5,060 (72.9)	4,850 (74.5)	4,700 (75.3)
70	4,320 (69.2)	4,230 (71.3)	4,030 (73)	3,890 (73.9)
75	3,540 (67.4)	3,450 (69.6)	3,320 (71.6)	3,180 (72.5)
80	2,860 (65.3)	2,770 (68)	2,680 (70)	2,560 (71.1)
85	2,270 (63)	2,180 (66.1)	2,090 (68.5)	2,010 (69.6)
90	1,750 (60.6)	1,660 (64)	1,570 (66.9)	1,490 (68.1)
95	1,290 (58.1)	1,210 (61.8)	1,120 (64.9)	1,040 (66.4)
100	880 (55.6)	800 (59.5)	710 (62.9)	630 (64.5)
105	520 (52.9)			
Min. boom angle for indicated length (no load)	51.9°	58.5°	61.9°	63.5°
Max. boom length at 0° boom angle (no load)	47.6 ft.	47.6 ft.	47.6 ft.	47.6 ft.

#RCL operating code. Refer to Operator's Manual for operating instructions. 80132637\_15

NOTE: ( ) Boom angles are in degrees.

**BOOM EXTENSION CAPACITY NOTES:**

1. 36 ft. extension length may be used for single line lifting service only.
2. For boom angles not shown, use the rating of the next lower boom angle.  
**WARNING:** Operation of this machine with heavier loads than the capacities listed is strictly prohibited. Machine tipping with boom extension occurs rapidly and without advance warning.
3. Boom angle is the angle above or below horizontal of the longitudinal axis of the boom base section after lifting rated load.
4. Capacities listed are with outriggers properly extended and vertical jacks set only.

**RATED LIFTING CAPACITIES IN POUNDS**  
**36 FT. FIXED OFFSETABLE BOOM EXTENSION**  
**WITH 10,000 LB. COUNTERWEIGHT**  
**ON OUTRIGGERS 50% EXTENDED - 360°**  
**36 FT. EXTENSION AT 30° OFFSET ANGLE**

Radius in Feet	#3425			
	Main Boom Length in Feet			
	120-G	132-H	144-J	150.5
50	5,660 (78.6)			
55	5,530 (76.9)	5,440 (78.2)		
60	5,420 (75.1)	5,350 (76.6)	5,190 (78)	
65	5,320 (73.3)	5,190 (75)	5,000 (76.5)	4,870 (77.2)
70	4,910 (71.5)	4,840 (73.4)	4,670 (75)	4,530 (75.8)
75	4,060 (69.6)	4,000 (71.7)	3,890 (73.5)	3,770 (74.3)
80	3,330 (67.7)	3,270 (70)	3,200 (72)	3,100 (72.9)
85	2,690 (65.5)	2,630 (68.2)	2,560 (70.4)	2,490 (71.4)
90	2,130 (63.1)	2,070 (66.4)	2,000 (68.8)	1,930 (69.9)
95	1,630 (60.6)	1,570 (64.1)	1,510 (67.1)	1,440 (68.3)
100	1,180 (57.9)	1,130 (61.8)	1,060 (65)	1,000 (66.6)
105	780 (55.2)	730 (59.4)	670 (62.9)	600 (64.6)
Min. boom angle for indicated length (no load)	54.2°	58.4°	61.9°	63.6°
Max. boom length at 0° boom angle (no load)	47.6 ft.	47.6 ft.	47.6 ft.	47.6 ft.

#RCL operating code. Refer to Operator's Manual for operating instructions. 80132637\_30

NOTE: ( ) Boom angles are in degrees.

**BOOM EXTENSION CAPACITY NOTES:**

1. 36 ft. extension length may be used for single line lifting service only.
2. For boom angles not shown, use the rating of the next lower boom angle.  
  
**WARNING:** Operation of this machine with heavier loads than the capacities listed is strictly prohibited. Machine tipping with boom extension occurs rapidly and without advance warning.
3. Boom angle is the angle above or below horizontal of the longitudinal axis of the boom base section after lifting rated load.
4. Capacities listed are with outriggers properly extended and vertical jacks set only.



**RATED LIFTING CAPACITIES IN POUNDS**  
**37 FT. - 151 FT. BOOM**  
**WITH 10,000 LB. COUNTERWEIGHT**  
**ON OUTRIGGERS 0% EXTENDED - 360°**

Radius in Feet	#3801										
	Main Boom Length in Feet										
	36.8	48-A	60-B	72-C	84-D	96-E	108-F	120-G	132-H	144-J	150.5
6	88,150 (74.1)	49,600 (78.5)									
8	59,950 (70.9)	49,600 (76.2)	49,600 (79.5)								
10	43,850 (67.6)	41,300 (73.9)	38,650 (77.7)								
12	33,850 (63.8)	32,350 (71.5)	30,750 (75.9)	29,150 (78.7)							
15	24,350 (57.8)	23,750 (67.8)	22,900 (73.1)	21,950 (76.5)	21,000 (78.9)						
20	14,850 (46.4)	15,350 (60.5)	15,050 (68.3)	14,650 (72.7)	14,150 (75.7)	13,700 (77.8)	13,200 (79.7)				
25	9,180 (30)	10,250 (52.4)	10,400 (62.7)	10,250 (68.7)	9,990 (72.5)	9,720 (75.1)	9,410 (77.3)	9,120 (79)			
30		6,690 (43.1)	7,260 (56.6)	7,280 (64.3)	7,140 (69.1)	6,990 (72.3)	6,790 (74.9)	6,600 (76.8)	6,400 (78.4)	6,180 (79.7)	
35		4,260 (29.8)	4,910 (49.8)	5,130 (59.3)	5,090 (65.5)	5,010 (69.4)	4,880 (72.4)	4,750 (74.6)	4,610 (76.5)	4,450 (78)	4,310 (78.8)
40			3,130 (42.1)	3,470 (53.9)	3,530 (61.2)	3,500 (66.4)	3,410 (69.8)	3,330 (72.4)	3,240 (74.5)	3,120 (76.2)	2,990 (77.1)
45			1,790 (31.5)	2,180 (48.1)	2,270 (56.8)	2,310 (62.8)	2,260 (67.1)	2,210 (70.1)	2,140 (72.5)	2,050 (74.4)	1,940 (75.4)
50			750 (15.9)	1,120 (41.6)	1,260 (52.1)	1,330 (59)	1,330 (64)	1,300 (67.8)	1,250 (70.4)	1,180 (72.6)	1,090 (73.6)
55						520 (55)	550 (60.7)	540 (65)	510 (68.3)		
Min. boom angle for indicated length (no load)			14.9°	40.6°	51.1°	54°	59.7°	64°	67.3°	71.6°	72.6°
Max. boom length at 0° boom angle (no load)			47.6 ft.								

#RCL operating code. Refer to Operator's Manual for operating instructions.

NOTE: ( ) Boom angles are in degrees.

Boom Angle	Main Boom Length in Feet										
	36.8	48-A	60-B	72-C	84-D	96-E	108-F	120-G	132-H	144-J	150.5
0°	6,680 (28.3)	2,650 (39.5)									

NOTE: ( ) Reference radii in feet.

Rated Load Reductions from main boom capacity when lifting over main boom nose with:											
36° lattice	3,950	3,650	3,450	2,300	2,300	2,300	2,300	2,300	2,300	2,300	2,250

80132633

**RATED LIFTING CAPACITIES IN POUNDS**  
**37 FT. - 151 FT. BOOM**  
**WITH 8,000 LB. COUNTERWEIGHT**  
**ON OUTRIGGERS FULLY EXTENDED - 360°**

Radius in Feet	#4001										
	Main Boom Length in Feet										
	36.8	48-A	60-B	72-C	84-D	96-E	108-F	120-G	132-H	144-J	150.5
6	120,000 (74.1)	49,600 (78.5)									
8	100,500 (70.9)	49,600 (76.2)	49,600 (79.5)								
10	88,000 (67.6)	49,600 (73.9)	49,600 (77.7)								
12	77,900 (63.8)	49,600 (71.5)	49,600 (75.9)	49,600 (78.7)							
15	66,150 (57.8)	49,600 (67.8)	49,600 (73.1)	46,700 (76.5)	39,700 (78.9)						
20	52,200 (46.4)	49,600 (60.5)	49,600 (68.3)	42,050 (72.7)	36,100 (75.7)	30,250 (77.8)	23,550 (79.7)				
25	37,450 (30)	42,700 (52.4)	43,500 (62.7)	38,150 (68.7)	32,950 (72.5)	27,400 (75.1)	21,150 (77.3)	18,600 (79)			
30		33,300 (43.1)	34,050 (56.6)	34,500 (64.3)	30,250 (69.1)	24,700 (72.3)	19,100 (74.9)	16,950 (76.8)	14,500 (78.4)	11,300 (79.7)	
35		26,750 (29.8)	27,500 (49.8)	27,950 (59.3)	27,950 (65.5)	22,350 (69.4)	17,250 (72.4)	15,450 (74.6)	13,900 (76.5)	11,300 (78)	10,050 (78.8)
40			22,650 (42.1)	22,850 (53.9)	23,150 (61.2)	20,300 (66.4)	15,700 (69.8)	14,150 (72.4)	12,800 (74.5)	11,300 (76.2)	10,050 (77.1)
45			18,250 (31.5)	18,300 (48.1)	18,550 (56.8)	18,600 (62.8)	14,350 (67.1)	12,950 (70.1)	11,750 (72.5)	10,700 (74.4)	10,050 (75.4)
50			13,100 (15.9)	15,000 (41.6)	15,150 (52.1)	15,400 (59)	13,200 (64)	11,900 (67.8)	10,850 (70.4)	9,930 (72.6)	9,470 (73.6)
55				12,450 (32.7)	12,550 (47)	12,800 (55)	12,150 (60.7)	11,000 (65)	10,000 (68.3)	9,200 (70.7)	8,780 (71.8)
60				10,450 (21)	10,500 (41.3)	10,750 (50.7)	11,100 (57.2)	10,150 (62.1)	9,300 (65.9)	8,540 (68.8)	8,160 (70)
65					8,820 (33.6)	9,120 (46.2)	9,440 (53.6)	9,460 (59.1)	8,640 (63.3)	7,940 (66.7)	7,590 (68.1)
70					7,430 (24.1)	7,750 (41.2)	8,070 (49.7)	8,140 (55.9)	8,030 (60.6)	7,380 (64.3)	7,070 (66)
75					5,400 (8.3)	6,590 (34.3)	6,910 (45.6)	6,980 (52.6)	7,040 (57.7)	6,840 (61.8)	6,550 (63.7)
80						5,600 (26.3)	5,930 (41.1)	6,000 (49.1)	6,050 (54.8)	6,080 (59.3)	5,980 (61.3)
85						4,750 (15.3)	5,080 (35)	5,150 (45.3)	5,200 (51.7)	5,230 (56.7)	5,190 (58.8)
90							4,350 (27.9)	4,410 (41.2)	4,460 (48.5)	4,480 (53.9)	4,450 (56.3)
95							3,690 (19)	3,760 (35.6)	3,810 (45)	3,830 (51.1)	3,790 (53.7)
100								3,190 (29.3)	3,230 (41.2)	3,250 (48)	3,210 (50.9)
105								2,670 (21.7)	2,680 (36.1)	2,740 (44.8)	2,700 (48)
110								2,170 (10.7)	2,160 (30.3)	2,280 (41.3)	2,210 (45)
115									1,680 (23.7)	1,860 (36.5)	1,750 (41.6)
120									1,250 (15.1)	1,460 (31.3)	1,330 (37)
125										1,090 (25.4)	930 (32.1)
130										750 (18.1)	570 (26.5)
Min. boom angle for indicated length (no load)								9.7°	14.1°	17.1°	18.9°
Max. boom length at 0° boom angle (no load)								107.6 ft.			

#RCL operating code. Refer to Operator's Manual for operating instructions.

NOTE: ( ) Boom angles are in degrees.

Boom Angle	Main Boom Length in Feet										
	36.8	48-A	60-B	72-C	84-D	96-E	108-F	120-G	132-H	144-J	150.5
0°	14,400 (28.3)	10,000 (39.5)	6,570 (51.5)	4,360 (63.5)	2,820 (75.5)	1,690 (87.5)	820 (99.5)				

NOTE: ( ) Reference radii in feet.

Rated Load Reductions from main boom capacity when lifting over main boom nose with:											
36' lattice	2,300	2,300	2,300	2,300	2,300	2,300	2,300	2,300	2,300	2,300	2,250

80131210

**RATED LIFTING CAPACITIES IN POUNDS**  
**36 FT. FIXED OFFSETABLE BOOM EXTENSION**  
**WITH 8,000 LB. COUNTERWEIGHT**  
**ON OUTRIGGERS FULLY EXTENDED - 360°**  
**36 FT. EXTENSION AT 0° OFFSET ANGLE**

Radius in Feet	#4015			
	Main Boom Length in Feet			
	120-G	132-H	144-J	150.5
30	7,720 (80)			
35	7,720 (78.4)	6,370 (79.6)		
40	7,720 (76.8)	6,370 (78.1)	5,200 (79.2)	4,420 (79.8)
45	7,720 (75.2)	6,370 (76.6)	5,200 (77.8)	4,420 (78.5)
50	7,670 (73.5)	6,370 (75.1)	5,200 (76.4)	4,420 (77.1)
55	7,260 (71.8)	6,370 (73.6)	5,200 (75)	4,420 (75.8)
60	6,880 (70.1)	6,370 (72)	5,200 (73.6)	4,420 (74.4)
65	6,520 (68.4)	6,260 (70.5)	5,200 (72.2)	4,420 (73.1)
70	6,180 (66.6)	5,960 (68.8)	5,200 (70.7)	4,420 (71.7)
75	5,870 (64.4)	5,690 (67.2)	5,200 (69.2)	4,420 (70.3)
80	5,580 (62.1)	5,400 (65.2)	4,990 (67.7)	4,420 (68.8)
85	5,310 (59.8)	5,060 (63.2)	4,680 (65.9)	4,420 (67.3)
90	5,050 (57.4)	4,750 (61)	4,380 (64)	4,200 (65.5)
95	4,400 (54.9)	4,280 (58.8)	4,100 (62.1)	3,930 (63.7)
100	3,830 (52.4)	3,710 (56.6)	3,590 (60)	3,490 (61.8)
105	3,310 (49.7)	3,190 (54.3)	3,080 (58)	2,980 (59.8)
110	2,850 (46.9)	2,730 (51.9)	2,620 (55.9)	2,520 (57.8)
115	2,440 (44)	2,320 (49.4)	2,200 (53.7)	2,100 (55.7)
120	2,070 (40.8)	1,950 (46.7)	1,830 (51.4)	1,730 (53.6)
125	1,730 (36.3)	1,610 (44)	1,490 (49.1)	1,390 (51.4)
130	1,430 (31.5)	1,300 (40.9)	1,180 (46.6)	1,080 (49.2)
135	1,150 (26.2)	1,010 (36.8)	890 (44)	790 (46.8)
140	900 (20)	760 (32.3)	630 (41.2)	530 (44.3)
145	680 (11.7)	520 (27.4)		
Min. boom angle for indicated length (no load)	10.7°	26.4°	40.2°	43.3°
Max. boom length at 0° boom angle (no load)	47.6 ft.	47.6 ft.	47.6 ft.	47.6 ft.

#RCL operating code. Refer to Operator's Manual for operating instructions. 80131247\_0

NOTE: ( ) Boom angles are in degrees.

**BOOM EXTENSION CAPACITY NOTES:**

1. 36 ft. extension length may be used for single line lifting service only.
2. For boom angles not shown, use the rating of the next lower boom angle.  
  
**WARNING:** Operation of this machine with heavier loads than the capacities listed is strictly prohibited. Machine tipping with boom extension occurs rapidly and without advance warning.
3. Boom angle is the angle above or below horizontal of the longitudinal axis of the boom base section after lifting rated load.
4. Capacities listed are with outriggers properly extended and vertical jacks set only.

**RATED LIFTING CAPACITIES IN POUNDS  
36 FT. FIXED OFFSETABLE BOOM EXTENSION  
WITH 8,000 LB. COUNTERWEIGHT  
ON OUTRIGGERS FULLY EXTENDED - 360°  
36 FT. EXTENSION AT 15° OFFSET ANGLE**

Radius in Feet	#4020			
	Main Boom Length in Feet			
	120-G	132-H	144-J	150.5
40	7,000 (79.5)			
45	6,730 (77.8)			
50	6,540 (76.2)	6,400 (77.6)		
55	6,360 (74.5)	6,150 (76.1)	5,590 (77.4)	4,940 (78)
60	6,100 (72.8)	5,880 (74.5)	5,590 (75.9)	4,940 (76.7)
65	5,810 (71)	5,620 (72.9)	5,370 (74.5)	4,940 (75.3)
70	5,550 (69.2)	5,380 (71.3)	5,160 (73)	4,940 (73.9)
75	5,300 (67.4)	5,150 (69.6)	4,960 (71.6)	4,840 (72.5)
80	5,070 (65.3)	4,930 (68)	4,760 (70)	4,660 (71.1)
85	4,860 (63)	4,730 (66.1)	4,580 (68.5)	4,480 (69.6)
90	4,660 (60.6)	4,550 (64)	4,400 (66.9)	4,250 (68.1)
95	4,480 (58.1)	4,370 (61.8)	4,150 (64.9)	3,980 (66.4)
100	4,200 (55.6)	4,110 (59.5)	3,890 (62.9)	3,730 (64.5)
105	3,650 (52.9)	3,560 (57.2)	3,470 (60.8)	3,390 (62.5)
110	3,160 (50.1)	3,070 (54.8)	2,980 (58.7)	2,900 (60.5)
115	2,710 (47.1)	2,630 (52.3)	2,540 (56.5)	2,450 (58.4)
120	2,310 (43.9)	2,220 (49.7)	2,130 (54.2)	2,050 (56.3)
125	1,940 (40.3)	1,850 (46.9)	1,770 (51.8)	1,680 (54.1)
130	1,600 (35.2)	1,520 (43.9)	1,430 (49.3)	1,350 (51.8)
135	1,290 (29.6)	1,210 (40.5)	1,120 (46.7)	1,040 (49.4)
140	1,000 (23)	920 (35.8)	840 (43.9)	760 (46.9)
145		660 (30.6)	570 (40.7)	
Min. boom angle for indicated length (no load)	22°	29.6°	39.7°	45.9°
Max. boom length at 0° boom angle (no load)	47.6 ft.	47.6 ft.	47.6 ft.	47.6 ft.

#RCL operating code. Refer to Operator's Manual for operating instructions. 80131247\_15

NOTE: ( ) Boom angles are in degrees.

**BOOM EXTENSION CAPACITY NOTES:**

1. 36 ft. extension length may be used for single line lifting service only.
2. For boom angles not shown, use the rating of the next lower boom angle.

**WARNING:** Operation of this machine with heavier loads than the capacities listed is strictly prohibited. Machine tipping with boom extension occurs rapidly and without advance warning.

3. Boom angle is the angle above or below horizontal of the longitudinal axis of the boom base section after lifting rated load.
4. Capacities listed are with outriggers properly extended and vertical jacks set only.

**RATED LIFTING CAPACITIES IN POUNDS  
36 FT. FIXED OFFSETABLE BOOM EXTENSION  
WITH 8,000 LB. COUNTERWEIGHT  
ON OUTRIGGERS FULLY EXTENDED - 360°  
36 FT. EXTENSION AT 30° OFFSET ANGLE**

Radius in Feet	#4025			
	Main Boom Length in Feet			
	120-G	132-H	144-J	150.5
50	5,660 (78.6)			
55	5,530 (76.9)	5,440 (78.2)		
60	5,420 (75.1)	5,350 (76.6)	5,190 (78)	
65	5,320 (73.3)	5,190 (75)	5,000 (76.5)	4,870 (77.2)
70	5,140 (71.5)	4,990 (73.4)	4,810 (75)	4,700 (75.8)
75	4,940 (69.6)	4,800 (71.7)	4,640 (73.5)	4,540 (74.3)
80	4,760 (67.7)	4,630 (70)	4,470 (72)	4,380 (72.9)
85	4,580 (65.5)	4,460 (68.2)	4,320 (70.4)	4,230 (71.4)
90	4,420 (63.1)	4,310 (66.4)	4,170 (68.8)	4,090 (69.9)
95	4,270 (60.6)	4,160 (64.1)	4,030 (67.1)	3,960 (68.3)
100	4,130 (57.9)	4,020 (61.8)	3,900 (65)	3,820 (66.6)
105	3,920 (55.2)	3,870 (59.4)	3,730 (62.9)	3,580 (64.6)
110	3,390 (52.2)	3,340 (56.9)	3,280 (60.7)	3,210 (62.5)
115	2,910 (49.2)	2,860 (54.3)	2,800 (58.5)	2,740 (60.4)
120	2,470 (45.8)	2,430 (51.6)	2,370 (56.1)	2,310 (58.2)
125	2,070 (42.2)	2,030 (48.7)	1,980 (53.7)	1,910 (56)
130	1,700 (37)	1,670 (45.6)	1,620 (51.1)	1,550 (53.6)
135		1,330 (42.3)	1,280 (48.4)	1,220 (51.1)
140		1,010 (37.4)	970 (45.5)	910 (48.5)
145			690 (42.4)	630 (45.7)
Min. boom angle for indicated length (no load)	36°	36.4°	41.4°	44.7°
Max. boom length at 0° boom angle (no load)	47.6 ft.	47.6 ft.	47.6 ft.	47.6 ft.

#RCL operating code. Refer to Operator's Manual for operating instructions. 80131247\_30

NOTE: ( ) Boom angles are in degrees.

**BOOM EXTENSION CAPACITY NOTES:**

1. 36 ft. extension length may be used for single line lifting service only.
2. For boom angles not shown, use the rating of the next lower boom angle.

**WARNING:** Operation of this machine with heavier loads than the capacities listed is strictly prohibited. Machine tipping with boom extension occurs rapidly and without advance warning.

3. Boom angle is the angle above or below horizontal of the longitudinal axis of the boom base section after lifting rated load.
4. Capacities listed are with outriggers properly extended and vertical jacks set only.

**RATED LIFTING CAPACITIES IN POUNDS**  
**37 FT. - 151 FT. BOOM**  
**WITH 8,000 LB. COUNTERWEIGHT**  
**ON OUTRIGGERS FULLY EXTENDED - OVER REAR**

Radius in Feet	#4026										
	Main Boom Length in Feet										
	36.8	48-A	60-B	72-C	84-D	96-E	108-F	120-G	132-H	144-J	150.5
6	120,000 (74.1)	49,600 (78.5)									
8	107,000 (70.9)	49,600 (76.2)	49,600 (79.5)								
10	95,950 (67.6)	49,600 (73.9)	49,600 (77.7)								
12	86,100 (63.8)	49,600 (71.5)	49,600 (75.9)	49,600 (78.7)							
15	74,300 (57.8)	49,600 (67.8)	49,600 (73.1)	46,700 (76.5)	39,700 (78.9)						
20	59,200 (46.4)	49,600 (60.5)	49,600 (68.3)	42,050 (72.7)	36,100 (75.7)	30,250 (77.8)	23,550 (79.7)				
25	37,450 (30)	45,750 (52.4)	45,850 (62.7)	38,150 (68.7)	32,950 (72.5)	27,400 (75.1)	21,150 (77.3)	18,600 (79)			
30		36,400 (43.1)	36,900 (56.6)	34,950 (64.3)	30,250 (69.1)	24,700 (72.3)	19,100 (74.9)	16,950 (76.8)	14,500 (78.4)	11,300 (79.7)	
35		27,400 (29.8)	30,250 (49.8)	30,600 (59.3)	27,950 (65.5)	22,350 (69.4)	17,250 (72.4)	15,450 (74.6)	13,900 (76.5)	11,300 (78)	10,050 (78.8)
40			25,250 (42.1)	25,500 (53.9)	25,700 (61.2)	20,300 (66.4)	15,700 (69.8)	14,150 (72.4)	12,800 (74.5)	11,300 (76.2)	10,050 (77.1)
45			20,650 (31.5)	20,900 (48.1)	21,100 (56.8)	18,600 (62.8)	14,350 (67.1)	12,950 (70.1)	11,750 (72.5)	10,700 (74.4)	10,050 (75.4)
50			13,100 (15.9)	17,400 (41.6)	17,550 (52.1)	17,100 (59)	13,200 (64)	11,900 (67.8)	10,850 (70.4)	9,930 (72.6)	9,470 (73.6)
55				14,700 (32.7)	14,850 (47)	14,950 (55)	12,150 (60.7)	11,000 (65)	10,000 (68.3)	9,200 (70.7)	8,780 (71.8)
60				12,000 (21)	12,700 (41.3)	12,800 (50.7)	11,250 (57.2)	10,150 (62.1)	9,300 (65.9)	8,540 (68.8)	8,160 (70)
65					10,950 (33.6)	11,100 (46.2)	10,450 (53.6)	9,460 (59.1)	8,640 (63.3)	7,940 (66.7)	7,590 (68.1)
70					9,510 (24.1)	9,630 (41.2)	9,700 (49.7)	8,800 (55.9)	8,030 (60.6)	7,380 (64.3)	7,070 (66)
75					5,400 (8.3)	8,380 (34.3)	8,450 (45.6)	8,210 (52.6)	7,460 (57.7)	6,840 (61.8)	6,550 (63.7)
80						7,320 (26.3)	7,370 (41.1)	7,430 (49.1)	6,840 (54.8)	6,260 (59.3)	5,980 (61.3)
85						5,950 (15.3)	6,450 (35)	6,500 (45.3)	6,290 (51.7)	5,720 (56.7)	5,460 (58.8)
90							5,640 (27.9)	5,690 (41.2)	5,730 (48.5)	5,240 (53.9)	4,990 (56.3)
95							4,920 (19)	4,980 (35.6)	5,010 (45)	4,790 (51.1)	4,550 (53.7)
100								4,350 (29.3)	4,380 (41.2)	4,380 (48)	4,150 (50.9)
105								3,780 (21.7)	3,810 (36.1)	3,830 (44.8)	3,730 (48)
110								2,440 (10.7)	3,310 (30.3)	3,320 (41.3)	3,270 (45)
115									2,850 (23.7)	2,860 (36.5)	2,810 (41.6)
120									2,430 (15.1)	2,440 (31.3)	2,400 (37)
125										2,070 (25.4)	2,020 (32.1)
130										1,710 (18.1)	1,670 (26.5)
135											1,350 (19.9)
140											720 (10.5)
Min. boom angle for indicated length (no load)								9.5°	9.5°	9.5°	9.5°
Max. boom length at 0° boom angle (no load)								107.6 ft.			

#RCL operating code. Refer to Operator's Manual for operating instructions.

NOTE: ( ) Boom angles are in degrees.

Boom Angle	Main Boom Length in Feet										
	36.8	48-A	60-B	72-C	84-D	96-E	108-F	120-G	132-H	144-J	150.5
0°	14,400 (28.3)	10,000 (39.5)	6,570 (51.5)	4,360 (63.5)	2,820 (75.5)	1,690 (87.5)	820 (99.5)				

NOTE: ( ) Reference radii in feet.

Rated Load Reductions from main boom capacity when lifting over main boom nose with:										
36' lattice	2,200	2,300	2,300	2,300	2,300	2,300	2,300	2,300	2,300	2,250

80131211

**RATED LIFTING CAPACITIES IN POUNDS  
36 FT. FIXED OFFSETABLE BOOM EXTENSION  
WITH 8,000 LB. COUNTERWEIGHT  
ON OUTRIGGERS FULLY EXTENDED - OVER REAR  
36 FT. EXTENSION AT 0° OFFSET ANGLE**

Radius in Feet	#4040			
	Main Boom Length in Feet			
	120-G	132-H	144-J	150.5
30	7,720 (80)			
35	7,720 (78.4)	6,370 (79.6)		
40	7,720 (76.8)	6,370 (78.1)	5,200 (79.2)	4,420 (79.8)
45	7,720 (75.2)	6,370 (76.6)	5,200 (77.8)	4,420 (78.5)
50	7,670 (73.5)	6,370 (75.1)	5,200 (76.4)	4,420 (77.1)
55	7,260 (71.8)	6,370 (73.6)	5,200 (75)	4,420 (75.8)
60	6,880 (70.1)	6,370 (72)	5,200 (73.6)	4,420 (74.4)
65	6,520 (68.4)	6,260 (70.5)	5,200 (72.2)	4,420 (73.1)
70	6,180 (66.6)	5,960 (68.8)	5,200 (70.7)	4,420 (71.7)
75	5,870 (64.4)	5,690 (67.2)	5,200 (69.2)	4,420 (70.3)
80	5,580 (62.1)	5,400 (65.2)	4,990 (67.7)	4,420 (68.8)
85	5,310 (59.8)	5,060 (63.2)	4,680 (65.9)	4,420 (67.3)
90	5,070 (57.4)	4,750 (61)	4,380 (64)	4,200 (65.5)
95	4,830 (54.9)	4,450 (58.8)	4,100 (62.1)	3,930 (63.7)
100	4,540 (52.4)	4,170 (56.6)	3,840 (60)	3,670 (61.8)
105	4,270 (49.7)	3,920 (54.3)	3,600 (58)	3,430 (59.8)
110	4,020 (46.9)	3,680 (51.9)	3,370 (55.9)	3,070 (57.8)
115	3,560 (44)	3,440 (49.4)	3,150 (53.7)	2,730 (55.7)
120	3,140 (40.8)	3,020 (46.7)	2,900 (51.4)	2,420 (53.6)
125	2,760 (36.3)	2,640 (44)	2,520 (49.1)	2,130 (51.4)
130	2,420 (31.5)	2,290 (40.9)	2,170 (46.6)	1,870 (49.2)
135	2,110 (26.2)	1,970 (36.8)	1,850 (44)	1,630 (46.8)
140	1,820 (20)	1,680 (32.3)	1,560 (41.2)	1,400 (44.3)
145	1,320 (11.7)	1,410 (27.4)	1,290 (37.2)	1,190 (41.6)
150		1,170 (21.8)	1,040 (33)	940 (37.8)
155		950 (14.9)	810 (28.5)	710 (33.7)
160			600 (23.4)	
Min. boom angle for indicated length (no load)	10.7°	13.9°	22.4°	32.7°
Max. boom length at 0° boom angle (no load)	47.6 ft.	47.6 ft.	47.6 ft.	47.6 ft.

#RCL operating code. Refer to Operator's Manual for operating instructions. 80131248\_0

NOTE: ( ) Boom angles are in degrees.

**BOOM EXTENSION CAPACITY NOTES:**

- 36 ft. extension length may be used for single line lifting service only.
  - For boom angles not shown, use the rating of the next lower boom angle.
- WARNING:** Operation of this machine with heavier loads than the capacities listed is strictly prohibited. Machine tipping with boom extension occurs rapidly and without advance warning.
- Boom angle is the angle above or below horizontal of the longitudinal axis of the boom base section after lifting rated load.
  - Capacities listed are with outriggers properly extended and vertical jacks set only.

**RATED LIFTING CAPACITIES IN POUNDS  
36 FT. FIXED OFFSETABLE BOOM EXTENSION  
WITH 8,000 LB. COUNTERWEIGHT  
ON OUTRIGGERS FULLY EXTENDED - OVER REAR  
36 FT. EXTENSION AT 15° OFFSET ANGLE**

Radius in Feet	#4045			
	Main Boom Length in Feet			
	120-G	132-H	144-J	150.5
40	7,000 (79.5)			
45	6,730 (77.8)			
50	6,540 (76.2)	6,400 (77.6)		
55	6,360 (74.5)	6,150 (76.1)	5,590 (77.4)	4,940 (78)
60	6,100 (72.8)	5,880 (74.5)	5,590 (75.9)	4,940 (76.7)
65	5,810 (71)	5,620 (72.9)	5,370 (74.5)	4,940 (75.3)
70	5,550 (69.2)	5,380 (71.3)	5,160 (73)	4,940 (73.9)
75	5,300 (67.4)	5,150 (69.6)	4,960 (71.6)	4,840 (72.5)
80	5,070 (65.3)	4,930 (68)	4,760 (70)	4,660 (71.1)
85	4,860 (63)	4,730 (66.1)	4,580 (68.5)	4,480 (69.6)
90	4,660 (60.6)	4,550 (64)	4,400 (66.9)	4,250 (68.1)
95	4,480 (58.1)	4,370 (61.8)	4,150 (64.9)	3,980 (66.4)
100	4,310 (55.6)	4,200 (59.5)	3,890 (62.9)	3,730 (64.5)
105	4,150 (52.9)	3,950 (57.2)	3,650 (60.8)	3,500 (62.5)
110	4,010 (50.1)	3,710 (54.8)	3,420 (58.7)	3,270 (60.5)
115	3,810 (47.1)	3,490 (52.3)	3,200 (56.5)	2,940 (58.4)
120	3,380 (43.9)	3,280 (49.7)	3,000 (54.2)	2,610 (56.3)
125	2,970 (40.3)	2,880 (46.9)	2,800 (51.8)	2,320 (54.1)
130	2,590 (35.2)	2,510 (43.9)	2,420 (49.3)	2,040 (51.8)
135	2,240 (29.6)	2,160 (40.5)	2,080 (46.7)	1,780 (49.4)
140	1,920 (23)	1,840 (35.8)	1,760 (43.9)	1,550 (46.9)
145		1,550 (30.6)	1,460 (40.7)	1,320 (44.2)
150		1,270 (24.7)	1,190 (36.3)	1,110 (41.1)
155		1,020 (17.3)	940 (31.5)	860 (36.9)
160			700 (26.1)	620 (32.3)
Min. boom angle for indicated length (no load)	16.3°	16.3°	25.1°	31.3°
Max. boom length at 0° boom angle (no load)	47.6 ft.	47.6 ft.	47.6 ft.	47.6 ft.

#RCL operating code. Refer to Operator's Manual for operating instructions. 80131248\_15

NOTE: ( ) Boom angles are in degrees.

**BOOM EXTENSION CAPACITY NOTES:**

- 36 ft. extension length may be used for single line lifting service only.
- For boom angles not shown, use the rating of the next lower boom angle.  
**WARNING:** Operation of this machine with heavier loads than the capacities listed is strictly prohibited. Machine tipping with boom extension occurs rapidly and without advance warning.
- Boom angle is the angle above or below horizontal of the longitudinal axis of the boom base section after lifting rated load.
- Capacities listed are with outriggers properly extended and vertical jacks set only.



**RATED LIFTING CAPACITIES IN POUNDS  
36 FT. FIXED OFFSETABLE BOOM EXTENSION  
WITH 8,000 LB. COUNTERWEIGHT  
ON OUTRIGGERS FULLY EXTENDED - OVER REAR  
36 FT. EXTENSION AT 30° OFFSET ANGLE**

Radius in Feet	#4050			
	Main Boom Length in Feet			
	120-G	132-H	144-J	150.5
50	5,660 (78.6)			
55	5,530 (76.9)	5,440 (78.2)		
60	5,420 (75.1)	5,350 (76.6)	5,190 (78)	
65	5,320 (73.3)	5,190 (75)	5,000 (76.5)	4,870 (77.2)
70	5,140 (71.5)	4,990 (73.4)	4,810 (75)	4,700 (75.8)
75	4,940 (69.6)	4,800 (71.7)	4,640 (73.5)	4,540 (74.3)
80	4,760 (67.7)	4,630 (70)	4,470 (72)	4,380 (72.9)
85	4,580 (65.5)	4,460 (68.2)	4,320 (70.4)	4,230 (71.4)
90	4,420 (63.1)	4,310 (66.4)	4,170 (68.8)	4,090 (69.9)
95	4,270 (60.6)	4,160 (64.1)	4,030 (67.1)	3,960 (68.3)
100	4,130 (57.9)	4,020 (61.8)	3,900 (65)	3,820 (66.6)
105	4,010 (55.2)	3,900 (59.4)	3,730 (62.9)	3,580 (64.6)
110	3,890 (52.2)	3,780 (56.9)	3,500 (60.7)	3,360 (62.5)
115	3,780 (49.2)	3,550 (54.3)	3,280 (58.5)	3,100 (60.4)
120	3,540 (45.8)	3,340 (51.6)	3,070 (56.1)	2,760 (58.2)
125	3,100 (42.2)	3,060 (48.7)	2,880 (53.7)	2,450 (56)
130	2,690 (37)	2,660 (45.6)	2,610 (51.1)	2,170 (53.6)
135		2,280 (42.3)	2,240 (48.4)	1,900 (51.1)
140		1,940 (37.4)	1,900 (45.5)	1,640 (48.5)
145			1,580 (42.4)	1,410 (45.7)
150			1,280 (37.8)	1,180 (42.7)
155				950 (38.4)
Min. boom angle for indicated length (no load)	36°	36.4°	36.8°	37.4°
Max. boom length at 0° boom angle (no load)	47.6 ft.	47.6 ft.	47.6 ft.	47.6 ft.

#RCL operating code. Refer to Operator's Manual for operating instructions. 80131248\_30

NOTE: ( ) Boom angles are in degrees.

**BOOM EXTENSION CAPACITY NOTES:**

- 36 ft. extension length may be used for single line lifting service only.
- For boom angles not shown, use the rating of the next lower boom angle.

**WARNING:** Operation of this machine with heavier loads than the capacities listed is strictly prohibited. Machine tipping with boom extension occurs rapidly and without advance warning.

- Boom angle is the angle above or below horizontal of the longitudinal axis of the boom base section after lifting rated load.
- Capacities listed are with outriggers properly extended and vertical jacks set only.

**RATED LIFTING CAPACITIES IN POUNDS  
37 FT. - 151 FT. BOOM  
WITH 8,000 LB. COUNTERWEIGHT  
ON OUTRIGGERS 50% EXTENDED - 360°**

Radius in Feet	#4401										
	Main Boom Length in Feet										
	36.8	48-A	60-B	72-C	84-D	96-E	108-F	120-G	132-H	144-J	150.5
6	120,000 (74.1)	49,600 (78.5)									
8	107,000 (70.9)	49,600 (76.2)	49,600 (79.5)								
10	95,700 (67.6)	49,600 (73.9)	49,600 (77.7)								
12	84,550 (63.8)	49,600 (71.5)	49,600 (75.9)	49,600 (78.7)							
15	64,300 (57.8)	49,600 (67.8)	49,600 (73.1)	46,700 (76.5)	39,700 (78.9)						
20	38,050 (46.4)	37,800 (60.5)	36,350 (68.3)	34,950 (72.7)	33,550 (75.7)	30,250 (77.8)	23,550 (79.7)				
25	24,350 (30)	25,400 (52.4)	25,700 (62.7)	25,000 (68.7)	24,200 (72.5)	23,450 (75.1)	21,150 (77.3)	18,600 (79)			
30		17,950 (43.1)	18,500 (56.6)	18,800 (64.3)	18,300 (69.1)	17,850 (72.3)	17,400 (74.9)	16,900 (76.8)	14,500 (78.4)	11,300 (79.7)	
35		13,100 (29.8)	13,700 (49.8)	14,050 (59.3)	14,200 (65.5)	14,000 (69.4)	13,650 (72.4)	13,350 (74.6)	13,000 (76.5)	11,300 (78)	10,050 (78.8)
40			10,500 (42.1)	10,800 (53.9)	11,000 (61.2)	11,150 (66.4)	10,900 (69.8)	10,650 (72.4)	10,450 (74.5)	10,200 (76.2)	10,000 (77.1)
45			8,020 (31.5)	8,410 (48.1)	8,580 (56.8)	8,720 (62.8)	8,800 (67.1)	8,630 (70.1)	8,460 (72.5)	8,270 (74.4)	8,100 (75.4)
50			6,140 (15.9)	6,540 (41.6)	6,730 (52.1)	6,870 (59)	6,950 (64)	7,000 (67.8)	6,870 (70.4)	6,720 (72.6)	6,570 (73.6)
55				5,050 (32.7)	5,280 (47)	5,410 (55)	5,490 (60.7)	5,560 (65)	5,570 (68.3)	5,450 (70.7)	5,320 (71.8)
60				3,850 (21)	4,090 (41.3)	4,240 (50.7)	4,310 (57.2)	4,380 (62.1)	4,430 (65.9)	4,390 (68.8)	4,270 (70)
65					3,090 (33.6)	3,270 (46.2)	3,340 (53.6)	3,410 (59.1)	3,450 (63.3)	3,470 (66.7)	3,390 (68.1)
70					2,260 (24.1)	2,440 (41.2)	2,530 (49.7)	2,590 (55.9)	2,640 (60.6)	2,660 (64.3)	2,610 (66)
75					1,560 (8.3)	1,720 (34.3)	1,840 (45.6)	1,900 (52.6)	1,940 (57.7)	1,960 (61.8)	1,920 (63.7)
80						1,110 (26.3)	1,220 (41.1)	1,300 (49.1)	1,350 (54.8)	1,370 (59.3)	1,320 (61.3)
85						590 (15.3)	690 (35)	780 (45.3)	830 (51.7)	850 (56.7)	800 (58.8)
Min. boom angle for indicated length (no load)						14.3°	34°	44.3°	50.7°	55.7°	57.8°
Max. boom length at 0° boom angle (no load)						83.6 ft.					

#RCL operating code. Refer to Operator's Manual for operating instructions.

NOTE: ( ) Boom angles are in degrees.

Boom Angle	Main Boom Length in Feet										
	36.8	48-A	60-B	72-C	84-D	96-E	108-F	120-G	132-H	144-J	150.5
0°	14,400 (28.3)	10,000 (39.5)	5,660 (51.5)	3,150 (63.5)	1,500 (75.5)						

NOTE: ( ) Reference radii in feet.

Rated Load Reductions from main boom capacity when lifting over main boom nose with:											
36' lattice	4,300	2,800	2,650	2,500	2,300	2,300	2,300	2,300	2,300	2,300	2,250

80131213

**RATED LIFTING CAPACITIES IN POUNDS**  
**36 FT. FIXED OFFSETABLE BOOM EXTENSION**  
**WITH 8,000 LB. COUNTERWEIGHT**  
**ON OUTRIGGERS 50% EXTENDED - 360°**  
**36 FT. EXTENSION AT 0° OFFSET ANGLE**

Radius in Feet	#4415			
	Main Boom Length in Feet			
	120-G	132-H	144-J	150.5
30	7,720 (80)			
35	7,720 (78.4)	6,370 (79.6)		
40	7,720 (76.8)	6,370 (78.1)	5,200 (79.2)	4,420 (79.8)
45	7,720 (75.2)	6,370 (76.6)	5,200 (77.8)	4,420 (78.5)
50	7,360 (73.5)	6,370 (75.1)	5,200 (76.4)	4,420 (77.1)
55	6,110 (71.8)	5,840 (73.6)	5,200 (75)	4,420 (75.8)
60	5,070 (70.1)	4,820 (72)	4,570 (73.6)	4,400 (74.4)
65	4,170 (68.4)	3,950 (70.5)	3,730 (72.2)	3,560 (73.1)
70	3,350 (66.6)	3,210 (68.8)	3,000 (70.7)	2,840 (71.7)
75	2,650 (64.4)	2,530 (67.2)	2,360 (69.2)	2,220 (70.3)
80	2,050 (62.1)	1,930 (65.2)	1,810 (67.7)	1,670 (68.8)
85	1,520 (59.8)	1,410 (63.2)	1,290 (65.9)	1,180 (67.3)
90	1,070 (57.4)	950 (61)	840 (64)	740 (65.5)
95	660 (54.9)	550 (58.8)		
Min. boom angle for indicated length (no load)	53.9°	57.8°	63°	64.5°
Max. boom length at 0° boom angle (no load)	47.6 ft.	47.6 ft.	47.6 ft.	47.6 ft.

#RCL operating code. Refer to Operator's Manual for operating instructions.

80131250\_0

NOTE: ( ) Boom angles are in degrees.

**BOOM EXTENSION CAPACITY NOTES:**

1. 36 ft. extension length may be used for single line lifting service only.
2. For boom angles not shown, use the rating of the next lower boom angle.  
  
**WARNING:** Operation of this machine with heavier loads than the capacities listed is strictly prohibited. Machine tipping with boom extension occurs rapidly and without advance warning.
3. Boom angle is the angle above or below horizontal of the longitudinal axis of the boom base section after lifting rated load.
4. Capacities listed are with outriggers properly extended and vertical jacks set only.

**RATED LIFTING CAPACITIES IN POUNDS  
36 FT. FIXED OFFSETABLE BOOM EXTENSION  
WITH 8,000 LB. COUNTERWEIGHT  
ON OUTRIGGERS 50% EXTENDED - 360°  
36 FT. EXTENSION AT 15° OFFSET ANGLE**

Radius in Feet	#4420			
	Main Boom Length in Feet			
	120-G	132-H	144-J	150.5
40	7,000 (79.5)			
45	6,730 (77.8)			
50	6,540 (76.2)	6,400 (77.6)		
55	6,360 (74.5)	6,150 (76.1)	5,590 (77.4)	4,940 (78)
60	5,880 (72.8)	5,650 (74.5)	5,420 (75.9)	4,940 (76.7)
65	4,910 (71)	4,710 (72.9)	4,500 (74.5)	4,350 (75.3)
70	4,010 (69.2)	3,900 (71.3)	3,700 (73)	3,560 (73.9)
75	3,250 (67.4)	3,160 (69.6)	3,010 (71.6)	2,870 (72.5)
80	2,590 (65.3)	2,500 (68)	2,400 (70)	2,270 (71.1)
85	2,020 (63)	1,930 (66.1)	1,840 (68.5)	1,740 (69.6)
90	1,520 (60.6)	1,430 (64)	1,340 (66.9)	1,260 (68.1)
95	1,070 (58.1)	980 (61.8)	890 (64.9)	810 (66.4)
100	670 (55.6)	590 (59.5)	500 (62.9)	
Min. boom angle for indicated length (no load)	54.6°	58.5°	61.9°	65.4°
Max. boom length at 0° boom angle (no load)	47.6 ft.	47.6 ft.	47.6 ft.	47.6 ft.

#RCL operating code. Refer to Operator's Manual for operating instructions. 80131250\_15

NOTE: ( ) Boom angles are in degrees.

**BOOM EXTENSION CAPACITY NOTES:**

1. 36 ft. extension length may be used for single line lifting service only.
2. For boom angles not shown, use the rating of the next lower boom angle.  
**WARNING:** Operation of this machine with heavier loads than the capacities listed is strictly prohibited. Machine tipping with boom extension occurs rapidly and without advance warning.
3. Boom angle is the angle above or below horizontal of the longitudinal axis of the boom base section after lifting rated load.
4. Capacities listed are with outriggers properly extended and vertical jacks set only.

**RATED LIFTING CAPACITIES IN POUNDS**  
**36 FT. FIXED OFFSETABLE BOOM EXTENSION**  
**WITH 8,000 LB. COUNTERWEIGHT**  
**ON OUTRIGGERS 50% EXTENDED - 360°**  
**36 FT. EXTENSION AT 30° OFFSET ANGLE**

Radius in Feet	#4425			
	Main Boom Length in Feet			
	120-G	132-H	144-J	150.5
50	5,660 (78.6)			
55	5,530 (76.9)	5,440 (78.2)		
60	5,420 (75.1)	5,350 (76.6)	5,190 (78)	
65	5,320 (73.3)	5,190 (75)	5,000 (76.5)	4,870 (77.2)
70	4,600 (71.5)	4,510 (73.4)	4,340 (75)	4,210 (75.8)
75	3,770 (69.6)	3,710 (71.7)	3,590 (73.5)	3,460 (74.3)
80	3,060 (67.7)	3,000 (70)	2,930 (72)	2,810 (72.9)
85	2,440 (65.5)	2,380 (68.2)	2,310 (70.4)	2,230 (71.4)
90	1,890 (63.1)	1,830 (66.4)	1,770 (68.8)	1,700 (69.9)
95	1,410 (60.6)	1,350 (64.1)	1,280 (67.1)	1,220 (68.3)
100	970 (57.9)	920 (61.8)	850 (65)	790 (66.6)
105	580 (55.2)	530 (59.4)		
Min. boom angle for indicated length (no load)	54.2°	58.4°	64°	65.6°
Max. boom length at 0° boom angle (no load)	47.6 ft.	47.6 ft.	47.6 ft.	47.6 ft.

#RCL operating code. Refer to Operator's Manual for operating instructions. 80131250\_30

NOTE: ( ) Boom angles are in degrees.

**BOOM EXTENSION CAPACITY NOTES:**

1. 36 ft. extension length may be used for single line lifting service only.
2. For boom angles not shown, use the rating of the next lower boom angle.  
  
**WARNING:** Operation of this machine with heavier loads than the capacities listed is strictly prohibited. Machine tipping with boom extension occurs rapidly and without advance warning.
3. Boom angle is the angle above or below horizontal of the longitudinal axis of the boom base section after lifting rated load.
4. Capacities listed are with outriggers properly extended and vertical jacks set only.

**RATED LIFTING CAPACITIES IN POUNDS**  
**37 FT. - 151 FT. BOOM**  
**WITH 8,000 LB. COUNTERWEIGHT**  
**ON OUTRIGGERS 0% EXTENDED - 360°**

Radius in Feet	#4801										
	Main Boom Length in Feet										
	36.8	48-A	60-B	72-C	84-D	96-E	108-F	120-G	132-H	144-J	150.5
6	85,050 (74.1)	49,600 (78.5)									
8	56,400 (70.9)	49,600 (76.2)	47,700 (79.5)								
10	41,150 (67.6)	38,750 (73.9)	36,300 (77.7)								
12	31,650 (63.8)	30,300 (71.5)	28,800 (75.9)	27,300 (78.7)							
15	22,600 (57.8)	22,100 (67.8)	21,300 (73.1)	20,450 (76.5)	19,550 (78.9)						
20	13,700 (46.4)	14,150 (60.5)	13,900 (68.3)	13,550 (72.7)	13,050 (75.7)	12,650 (77.8)	12,150 (79.7)				
25	8,280 (30)	9,330 (52.4)	9,480 (62.7)	9,340 (68.7)	9,100 (72.5)	8,860 (75.1)	8,570 (77.3)	8,290 (79)			
30		5,970 (43.1)	6,470 (56.6)	6,520 (64.3)	6,400 (69.1)	6,260 (72.3)	6,080 (74.9)	5,900 (76.8)	5,720 (78.4)	5,510 (79.7)	
35		3,650 (29.8)	4,300 (49.8)	4,470 (59.3)	4,450 (65.5)	4,380 (69.4)	4,260 (72.4)	4,140 (74.6)	4,020 (76.5)	3,870 (78)	3,730 (78.8)
40			2,610 (42.1)	2,890 (53.9)	2,970 (61.2)	2,940 (66.4)	2,870 (69.8)	2,790 (72.4)	2,710 (74.5)	2,600 (76.2)	2,480 (77.1)
45			1,330 (31.5)	1,660 (48.1)	1,770 (56.8)	1,820 (62.8)	1,770 (67.1)	1,730 (70.1)	1,670 (72.5)	1,580 (74.4)	1,480 (75.4)
50				680 (41.6)	800 (52.1)	880 (59)	890 (64)	860 (67.8)	820 (70.4)	760 (72.6)	660 (73.6)
Min. boom angle for indicated length (no load)			30.5°	40.6°	51.1°	58°	63°	66.8°	69.4°	71.6°	72.6°
Max. boom length at 0° boom angle (no load)			47.6 ft.								

#RCL operating code. Refer to Operator's Manual for operating instructions.

NOTE: ( ) Boom angles are in degrees.

Boom Angle	Main Boom Length in Feet										
	36.8	48-A	60-B	72-C	84-D	96-E	108-F	120-G	132-H	144-J	150.5
0°	5,900 (28.3)	2,120 (39.5)									

NOTE: ( ) Reference radii in feet.

Rated Load Reductions from main boom capacity when lifting over main boom nose with:											
36' lattice	6,400	3,650	3,450	2,300	2,300	2,300	2,300	2,300	2,300	2,300	2,250

80131214

**RATED LIFTING CAPACITIES IN POUNDS**  
**37 FT. - 151 FT. BOOM**  
**WITH 6,000 LB. COUNTERWEIGHT**  
**ON OUTRIGGERS FULLY EXTENDED - 360°**

Radius in Feet	#5001										
	Main Boom Length in Feet										
	36.8	48-A	60-B	72-C	84-D	96-E	108-F	120-G	132-H	144-J	150.5
6	120,000 (74.1)	49,600 (78.5)									
8	100,000 (70.9)	49,600 (76.2)	49,600 (79.5)								
10	87,700 (67.6)	49,600 (73.9)	49,600 (77.7)								
12	77,650 (63.8)	49,600 (71.5)	49,600 (75.9)	49,600 (78.7)							
15	65,900 (57.8)	49,600 (67.8)	49,600 (73.1)	46,700 (76.5)	39,700 (78.9)						
20	52,000 (46.4)	49,600 (60.5)	49,600 (68.3)	42,050 (72.7)	36,100 (75.7)	30,250 (77.8)	23,550 (79.7)				
25	37,450 (30)	41,800 (52.4)	42,550 (62.7)	38,150 (68.7)	32,950 (72.5)	27,400 (75.1)	21,150 (77.3)	18,600 (79)			
30		32,550 (43.1)	33,300 (56.6)	33,750 (64.3)	30,250 (69.1)	24,700 (72.3)	19,100 (74.9)	16,950 (76.8)	14,500 (78.4)	11,300 (79.7)	
35		26,100 (29.8)	26,850 (49.8)	27,350 (59.3)	27,600 (65.5)	22,350 (69.4)	17,250 (72.4)	15,450 (74.6)	13,900 (76.5)	11,300 (78)	10,050 (78.8)
40			21,650 (42.1)	21,750 (53.9)	22,100 (61.2)	20,300 (66.4)	15,700 (69.8)	14,150 (72.4)	12,800 (74.5)	11,300 (76.2)	10,050 (77.1)
45			17,300 (31.5)	17,400 (48.1)	17,650 (56.8)	17,850 (62.8)	14,350 (67.1)	12,950 (70.1)	11,750 (72.5)	10,700 (74.4)	10,050 (75.4)
50			13,100 (15.9)	14,200 (41.6)	14,350 (52.1)	14,600 (59)	13,200 (64)	11,900 (67.8)	10,850 (70.4)	9,930 (72.6)	9,470 (73.6)
55				11,750 (32.7)	11,850 (47)	12,100 (55)	12,150 (60.7)	11,000 (65)	10,000 (68.3)	9,200 (70.7)	8,780 (71.8)
60				9,800 (21)	9,860 (41.3)	10,100 (50.7)	10,450 (57.2)	10,150 (62.1)	9,300 (65.9)	8,540 (68.8)	8,160 (70)
65					8,230 (33.6)	8,540 (46.2)	8,860 (53.6)	8,900 (59.1)	8,640 (63.3)	7,940 (66.7)	7,590 (68.1)
70					6,890 (24.1)	7,210 (41.2)	7,530 (49.7)	7,580 (55.9)	7,590 (60.6)	7,380 (64.3)	7,070 (66)
75					5,400 (8.3)	6,090 (34.3)	6,420 (45.6)	6,470 (52.6)	6,480 (57.7)	6,530 (61.8)	6,510 (63.7)
80						5,140 (26.3)	5,480 (41.1)	5,520 (49.1)	5,530 (54.8)	5,590 (59.3)	5,590 (61.3)
85						4,310 (15.3)	4,660 (35)	4,690 (45.3)	4,710 (51.7)	4,770 (56.7)	4,760 (58.8)
90							3,950 (27.9)	3,980 (41.2)	3,990 (48.5)	4,060 (53.9)	4,050 (56.3)
95							3,310 (19)	3,340 (35.6)	3,370 (45)	3,440 (51.1)	3,420 (53.7)
100								2,780 (29.3)	2,810 (41.2)	2,880 (48)	2,860 (50.9)
105								2,280 (21.7)	2,310 (36.1)	2,390 (44.8)	2,370 (48)
110								1,810 (10.7)	1,860 (30.3)	1,940 (41.3)	1,900 (45)
115									1,460 (23.7)	1,540 (36.5)	1,460 (41.6)
120									1,090 (15.1)	1,180 (31.3)	1,060 (37)
125										840 (25.4)	680 (32.1)
130										540 (18.1)	
Min. boom angle for indicated length (no load)								9.7°	14.1°	17.1°	31.1°
Max. boom length at 0° boom angle (no load)								107.6 ft.			

#RCL operating code. Refer to Operator's Manual for operating instructions.

NOTE: ( ) Boom angles are in degrees.

Boom Angle	Main Boom Length in Feet										
	36.8	48-A	60-B	72-C	84-D	96-E	108-F	120-G	132-H	144-J	150.5
0°	14,400 (28.3)	10,000 (39.5)	6,570 (51.5)	4,360 (63.5)	2,820 (75.5)	1,690 (87.5)	820 (99.5)				

NOTE: ( ) Reference radii in feet.

Rated Load Reductions from main boom capacity when lifting over main boom nose with:											
36' lattice	2,300	2,300	2,300	2,300	2,300	2,300	2,300	2,300	2,300	2,300	2,250

80131215

**RATED LIFTING CAPACITIES IN POUNDS**  
**36 FT. FIXED OFFSETABLE BOOM EXTENSION**  
**WITH 6,000 LB. COUNTERWEIGHT**  
**ON OUTRIGGERS FULLY EXTENDED - 360°**  
**36 FT. EXTENSION AT 0° OFFSET ANGLE**

Radius in Feet	#5015			
	Main Boom Length in Feet			
	120-G	132-H	144-J	150.5
30	7,720 (80)			
35	7,720 (78.4)	6,370 (79.6)		
40	7,720 (76.8)	6,370 (78.1)	5,200 (79.2)	4,420 (79.8)
45	7,720 (75.2)	6,370 (76.6)	5,200 (77.8)	4,420 (78.5)
50	7,670 (73.5)	6,370 (75.1)	5,200 (76.4)	4,420 (77.1)
55	7,260 (71.8)	6,370 (73.6)	5,200 (75)	4,420 (75.8)
60	6,880 (70.1)	6,370 (72)	5,200 (73.6)	4,420 (74.4)
65	6,520 (68.4)	6,260 (70.5)	5,200 (72.2)	4,420 (73.1)
70	6,180 (66.6)	5,960 (68.8)	5,200 (70.7)	4,420 (71.7)
75	5,870 (64.4)	5,690 (67.2)	5,200 (69.2)	4,420 (70.3)
80	5,580 (62.1)	5,400 (65.2)	4,990 (67.7)	4,420 (68.8)
85	5,310 (59.8)	5,060 (63.2)	4,680 (65.9)	4,420 (67.3)
90	4,660 (57.4)	4,540 (61)	4,380 (64)	4,200 (65.5)
95	4,030 (54.9)	3,910 (58.8)	3,790 (62.1)	3,690 (63.7)
100	3,480 (52.4)	3,350 (56.6)	3,240 (60)	3,140 (61.8)
105	2,980 (49.7)	2,860 (54.3)	2,740 (58)	2,650 (59.8)
110	2,540 (46.9)	2,420 (51.9)	2,300 (55.9)	2,200 (57.8)
115	2,140 (44)	2,020 (49.4)	1,900 (53.7)	1,800 (55.7)
120	1,780 (40.8)	1,660 (46.7)	1,540 (51.4)	1,440 (53.6)
125	1,460 (36.3)	1,330 (44)	1,210 (49.1)	1,120 (51.4)
130	1,160 (31.5)	1,030 (40.9)	910 (46.6)	820 (49.2)
135	900 (26.2)	760 (36.8)	640 (44)	540 (46.8)
140	660 (20)	520 (32.3)		
Min. boom angle for indicated length (no load)	19°	31.3°	43°	45.8°
Max. boom length at 0° boom angle (no load)	47.6 ft.	47.6 ft.	47.6 ft.	47.6 ft.

#RCL operating code. Refer to Operator's Manual for operating instructions. 80131251\_0

NOTE: ( ) Boom angles are in degrees.

**BOOM EXTENSION CAPACITY NOTES:**

1. 36 ft. extension length may be used for single line lifting service only.
2. For boom angles not shown, use the rating of the next lower boom angle.  
  
**WARNING:** Operation of this machine with heavier loads than the capacities listed is strictly prohibited. Machine tipping with boom extension occurs rapidly and without advance warning.
3. Boom angle is the angle above or below horizontal of the longitudinal axis of the boom base section after lifting rated load.
4. Capacities listed are with outriggers properly extended and vertical jacks set only.



**RATED LIFTING CAPACITIES IN POUNDS  
36 FT. FIXED OFFSETABLE BOOM EXTENSION  
WITH 6,000 LB. COUNTERWEIGHT  
ON OUTRIGGERS FULLY EXTENDED - 360°  
36 FT. EXTENSION AT 15° OFFSET ANGLE**

Radius in Feet	#5020			
	Main Boom Length in Feet			
	120-G	132-H	144-J	150.5
40	7,000 (79.5)			
45	6,730 (77.8)			
50	6,540 (76.2)	6,400 (77.6)		
55	6,360 (74.5)	6,150 (76.1)	5,590 (77.4)	4,940 (78)
60	6,100 (72.8)	5,880 (74.5)	5,590 (75.9)	4,940 (76.7)
65	5,810 (71)	5,620 (72.9)	5,370 (74.5)	4,940 (75.3)
70	5,550 (69.2)	5,380 (71.3)	5,160 (73)	4,940 (73.9)
75	5,300 (67.4)	5,150 (69.6)	4,960 (71.6)	4,840 (72.5)
80	5,070 (65.3)	4,930 (68)	4,760 (70)	4,660 (71.1)
85	4,860 (63)	4,730 (66.1)	4,580 (68.5)	4,480 (69.6)
90	4,660 (60.6)	4,550 (64)	4,400 (66.9)	4,250 (68.1)
95	4,450 (58.1)	4,360 (61.8)	4,150 (64.9)	3,980 (66.4)
100	3,850 (55.6)	3,760 (59.5)	3,670 (62.9)	3,590 (64.5)
105	3,320 (52.9)	3,230 (57.2)	3,140 (60.8)	3,060 (62.5)
110	2,840 (50.1)	2,760 (54.8)	2,670 (58.7)	2,580 (60.5)
115	2,410 (47.1)	2,330 (52.3)	2,240 (56.5)	2,150 (58.4)
120	2,020 (43.9)	1,940 (49.7)	1,850 (54.2)	1,770 (56.3)
125	1,660 (40.3)	1,580 (46.9)	1,490 (51.8)	1,410 (54.1)
130	1,340 (35.2)	1,250 (43.9)	1,170 (49.3)	1,090 (51.8)
135	1,040 (29.6)	950 (40.5)	870 (46.7)	790 (49.4)
140	760 (23)	680 (35.8)	590 (43.9)	510 (46.9)
Min. boom angle for indicated length (no load)	22°	34.8°	42.9°	45.9°
Max. boom length at 0° boom angle (no load)	47.6 ft.	47.6 ft.	47.6 ft.	47.6 ft.

#RCL operating code. Refer to Operator's Manual for operating instructions. 80131251\_15

NOTE: ( ) Boom angles are in degrees.

**BOOM EXTENSION CAPACITY NOTES:**

1. 36 ft. extension length may be used for single line lifting service only.
2. For boom angles not shown, use the rating of the next lower boom angle.

**WARNING:** Operation of this machine with heavier loads than the capacities listed is strictly prohibited. Machine tipping with boom extension occurs rapidly and without advance warning.

3. Boom angle is the angle above or below horizontal of the longitudinal axis of the boom base section after lifting rated load.
4. Capacities listed are with outriggers properly extended and vertical jacks set only.

**RATED LIFTING CAPACITIES IN POUNDS**  
**36 FT. FIXED OFFSETABLE BOOM EXTENSION**  
**WITH 6,000 LB. COUNTERWEIGHT**  
**ON OUTRIGGERS FULLY EXTENDED - 360°**  
**36 FT. EXTENSION AT 30° OFFSET ANGLE**

Radius in Feet	#5025			
	Main Boom Length in Feet			
	120-G	132-H	144-J	150.5
50	5,660 (78.6)			
55	5,530 (76.9)	5,440 (78.2)		
60	5,420 (75.1)	5,350 (76.6)	5,190 (78)	
65	5,320 (73.3)	5,190 (75)	5,000 (76.5)	4,870 (77.2)
70	5,140 (71.5)	4,990 (73.4)	4,810 (75)	4,700 (75.8)
75	4,940 (69.6)	4,800 (71.7)	4,640 (73.5)	4,540 (74.3)
80	4,760 (67.7)	4,630 (70)	4,470 (72)	4,380 (72.9)
85	4,580 (65.5)	4,460 (68.2)	4,320 (70.4)	4,230 (71.4)
90	4,420 (63.1)	4,310 (66.4)	4,170 (68.8)	4,090 (69.9)
95	4,270 (60.6)	4,160 (64.1)	4,030 (67.1)	3,960 (68.3)
100	4,130 (57.9)	4,020 (61.8)	3,900 (65)	3,820 (66.6)
105	3,590 (55.2)	3,530 (59.4)	3,470 (62.9)	3,400 (64.6)
110	3,080 (52.2)	3,020 (56.9)	2,960 (60.7)	2,890 (62.5)
115	2,610 (49.2)	2,560 (54.3)	2,500 (58.5)	2,440 (60.4)
120	2,190 (45.8)	2,140 (51.6)	2,090 (56.1)	2,020 (58.2)
125	1,800 (42.2)	1,760 (48.7)	1,700 (53.7)	1,640 (56)
130	1,440 (37)	1,400 (45.6)	1,350 (51.1)	1,290 (53.6)
135		1,080 (42.3)	1,030 (48.4)	970 (51.1)
140		770 (37.4)	730 (45.5)	670 (48.5)
Min. boom angle for indicated length (no load)	36°	36.4°	44.5°	47.5°
Max. boom length at 0° boom angle (no load)	47.6 ft.	47.6 ft.	47.6 ft.	47.6 ft.

#RCL operating code. Refer to Operator's Manual for operating instructions. 80131251\_30

NOTE: ( ) Boom angles are in degrees.

**BOOM EXTENSION CAPACITY NOTES:**

1. 36 ft. extension length may be used for single line lifting service only.
2. For boom angles not shown, use the rating of the next lower boom angle.

**WARNING:** Operation of this machine with heavier loads than the capacities listed is strictly prohibited. Machine tipping with boom extension occurs rapidly and without advance warning.

3. Boom angle is the angle above or below horizontal of the longitudinal axis of the boom base section after lifting rated load.
4. Capacities listed are with outriggers properly extended and vertical jacks set only.

**RATED LIFTING CAPACITIES IN POUNDS**  
**37 FT. - 151 FT. BOOM**  
**WITH 6,000 LB. COUNTERWEIGHT**  
**ON OUTRIGGERS FULLY EXTENDED - OVER REAR**

Radius in Feet	#5026										
	Main Boom Length in Feet										
	36.8	48-A	60-B	72-C	84-D	96-E	108-F	120-G	132-H	144-J	150.5
6	120,000 (74.1)	49,600 (78.5)									
8	107,000 (70.9)	49,600 (76.2)	49,600 (79.5)								
10	95,850 (67.6)	49,600 (73.9)	49,600 (77.7)								
12	86,000 (63.8)	49,600 (71.5)	49,600 (75.9)	49,600 (78.7)							
15	74,250 (57.8)	49,600 (67.8)	49,600 (73.1)	46,700 (76.5)	39,700 (78.9)						
20	58,200 (46.4)	49,600 (60.5)	49,600 (68.3)	42,050 (72.7)	36,100 (75.7)	30,250 (77.8)	23,550 (79.7)				
25	37,450 (30)	44,950 (52.4)	45,500 (62.7)	38,150 (68.7)	32,950 (72.5)	27,400 (75.1)	21,150 (77.3)	18,600 (79)			
30		35,750 (43.1)	36,250 (56.6)	34,950 (64.3)	30,250 (69.1)	24,700 (72.3)	19,100 (74.9)	16,950 (76.8)	14,500 (78.4)	11,300 (79.7)	
35		27,400 (29.8)	29,700 (49.8)	30,050 (59.3)	27,950 (65.5)	22,350 (69.4)	17,250 (72.4)	15,450 (74.6)	13,900 (76.5)	11,300 (78)	10,050 (78.8)
40			24,250 (42.1)	24,550 (53.9)	24,700 (61.2)	20,300 (66.4)	15,700 (69.8)	14,150 (72.4)	12,800 (74.5)	11,300 (76.2)	10,050 (77.1)
45			19,800 (31.5)	20,100 (48.1)	20,250 (56.8)	18,600 (62.8)	14,350 (67.1)	12,950 (70.1)	11,750 (72.5)	10,700 (74.4)	10,050 (75.4)
50			13,100 (15.9)	16,700 (41.6)	16,850 (52.1)	16,950 (59)	13,200 (64)	11,900 (67.8)	10,850 (70.4)	9,930 (72.6)	9,470 (73.6)
55				14,050 (32.7)	14,200 (47)	14,300 (55)	12,150 (60.7)	11,000 (65)	10,000 (68.3)	9,200 (70.7)	8,780 (71.8)
60				11,950 (21)	12,100 (41.3)	12,200 (50.7)	11,250 (57.2)	10,150 (62.1)	9,300 (65.9)	8,540 (68.8)	8,160 (70)
65					10,450 (33.6)	10,550 (46.2)	10,450 (53.6)	9,460 (59.1)	8,640 (63.3)	7,940 (66.7)	7,590 (68.1)
70					9,030 (24.1)	9,150 (41.2)	9,220 (49.7)	8,800 (55.9)	8,030 (60.6)	7,380 (64.3)	7,070 (66)
75					5,400 (8.3)	7,940 (34.3)	8,000 (45.6)	8,060 (52.6)	7,460 (57.7)	6,840 (61.8)	6,550 (63.7)
80						6,900 (26.3)	6,960 (41.1)	7,020 (49.1)	6,840 (54.8)	6,260 (59.3)	5,980 (61.3)
85						5,950 (15.3)	6,060 (35)	6,120 (45.3)	6,160 (51.7)	5,720 (56.7)	5,460 (58.8)
90							5,280 (27.9)	5,330 (41.2)	5,370 (48.5)	5,240 (53.9)	4,990 (56.3)
95							4,580 (19)	4,640 (35.6)	4,670 (45)	4,690 (51.1)	4,550 (53.7)
100								4,030 (29.3)	4,060 (41.2)	4,070 (48)	4,030 (50.9)
105								3,480 (21.7)	3,510 (36.1)	3,520 (44.8)	3,480 (48)
110								2,440 (10.7)	3,020 (30.3)	3,030 (41.3)	2,980 (45)
115									2,580 (23.7)	2,580 (36.5)	2,540 (41.6)
120									2,170 (15.1)	2,180 (31.3)	2,130 (37)
125										1,810 (25.4)	1,770 (32.1)
130										1,470 (18.1)	1,430 (26.5)
135											1,120 (19.9)
140											720 (10.5)
Min. boom angle for indicated length (no load)								9.5°	9.5°	9.5°	9.5°
Max. boom length at 0° boom angle (no load)								107.6 ft.			

#RCL operating code. Refer to Operator's Manual for operating instructions.

NOTE: ( ) Boom angles are in degrees.

Boom Angle	Main Boom Length in Feet										
	36.8	48-A	60-B	72-C	84-D	96-E	108-F	120-G	132-H	144-J	150.5
0°	14,400 (28.3)	10,000 (39.5)	6,570 (51.5)	4,360 (63.5)	2,820 (75.5)	1,690 (87.5)	820 (99.5)				

NOTE: ( ) Reference radii in feet.

Rated Load Reductions from main boom capacity when lifting over main boom nose with:										
36' lattice	2,200	2,300	2,300	2,300	2,300	2,300	2,300	2,300	2,300	2,250

80131216

**RATED LIFTING CAPACITIES IN POUNDS  
36 FT. FIXED OFFSETABLE BOOM EXTENSION  
WITH 6,000 LB. COUNTERWEIGHT  
ON OUTRIGGERS FULLY EXTENDED - OVER REAR  
36 FT. EXTENSION AT 0° OFFSET ANGLE**

Radius in Feet	#5040			
	Main Boom Length in Feet			
	120-G	132-H	144-J	150.5
30	7,720 (80)			
35	7,720 (78.4)	6,370 (79.6)		
40	7,720 (76.8)	6,370 (78.1)	5,200 (79.2)	4,420 (79.8)
45	7,720 (75.2)	6,370 (76.6)	5,200 (77.8)	4,420 (78.5)
50	7,670 (73.5)	6,370 (75.1)	5,200 (76.4)	4,420 (77.1)
55	7,260 (71.8)	6,370 (73.6)	5,200 (75)	4,420 (75.8)
60	6,880 (70.1)	6,370 (72)	5,200 (73.6)	4,420 (74.4)
65	6,520 (68.4)	6,260 (70.5)	5,200 (72.2)	4,420 (73.1)
70	6,180 (66.6)	5,960 (68.8)	5,200 (70.7)	4,420 (71.7)
75	5,870 (64.4)	5,690 (67.2)	5,200 (69.2)	4,420 (70.3)
80	5,580 (62.1)	5,400 (65.2)	4,990 (67.7)	4,420 (68.8)
85	5,310 (59.8)	5,060 (63.2)	4,680 (65.9)	4,420 (67.3)
90	5,070 (57.4)	4,750 (61)	4,380 (64)	4,200 (65.5)
95	4,830 (54.9)	4,450 (58.8)	4,100 (62.1)	3,930 (63.7)
100	4,540 (52.4)	4,170 (56.6)	3,840 (60)	3,670 (61.8)
105	4,230 (49.7)	3,920 (54.3)	3,600 (58)	3,430 (59.8)
110	3,740 (46.9)	3,620 (51.9)	3,370 (55.9)	3,070 (57.8)
115	3,290 (44)	3,170 (49.4)	3,050 (53.7)	2,730 (55.7)
120	2,880 (40.8)	2,760 (46.7)	2,640 (51.4)	2,420 (53.6)
125	2,510 (36.3)	2,390 (44)	2,270 (49.1)	2,130 (51.4)
130	2,180 (31.5)	2,050 (40.9)	1,930 (46.6)	1,840 (49.2)
135	1,870 (26.2)	1,740 (36.8)	1,620 (44)	1,520 (46.8)
140	1,600 (20)	1,460 (32.3)	1,340 (41.2)	1,240 (44.3)
145	1,320 (11.7)	1,200 (27.4)	1,070 (37.2)	970 (41.6)
150		960 (21.8)	830 (33)	730 (37.8)
155		750 (14.9)	610 (28.5)	510 (33.7)
Min. boom angle for indicated length (no load)	10.7°	13.9°	27.5°	32.7°
Max. boom length at 0° boom angle (no load)	47.6 ft.	47.6 ft.	47.6 ft.	47.6 ft.

#RCL operating code. Refer to Operator's Manual for operating instructions. 80131252\_0

NOTE: ( ) Boom angles are in degrees.

**BOOM EXTENSION CAPACITY NOTES:**

1. 36 ft. extension length may be used for single line lifting service only.
2. For boom angles not shown, use the rating of the next lower boom angle.  
**WARNING:** Operation of this machine with heavier loads than the capacities listed is strictly prohibited. Machine tipping with boom extension occurs rapidly and without advance warning.
3. Boom angle is the angle above or below horizontal of the longitudinal axis of the boom base section after lifting rated load.
4. Capacities listed are with outriggers properly extended and vertical jacks set only.

**RATED LIFTING CAPACITIES IN POUNDS  
36 FT. FIXED OFFSETABLE BOOM EXTENSION  
WITH 6,000 LB. COUNTERWEIGHT  
ON OUTRIGGERS FULLY EXTENDED - OVER REAR  
36 FT. EXTENSION AT 15° OFFSET ANGLE**

Radius in Feet	#5045			
	Main Boom Length in Feet			
	120-G	132-H	144-J	150.5
40	7,000 (79.5)			
45	6,730 (77.8)			
50	6,540 (76.2)	6,400 (77.6)		
55	6,360 (74.5)	6,150 (76.1)	5,590 (77.4)	4,940 (78)
60	6,100 (72.8)	5,880 (74.5)	5,590 (75.9)	4,940 (76.7)
65	5,810 (71)	5,620 (72.9)	5,370 (74.5)	4,940 (75.3)
70	5,550 (69.2)	5,380 (71.3)	5,160 (73)	4,940 (73.9)
75	5,300 (67.4)	5,150 (69.6)	4,960 (71.6)	4,840 (72.5)
80	5,070 (65.3)	4,930 (68)	4,760 (70)	4,660 (71.1)
85	4,860 (63)	4,730 (66.1)	4,580 (68.5)	4,480 (69.6)
90	4,660 (60.6)	4,550 (64)	4,400 (66.9)	4,250 (68.1)
95	4,480 (58.1)	4,370 (61.8)	4,150 (64.9)	3,980 (66.4)
100	4,310 (55.6)	4,200 (59.5)	3,890 (62.9)	3,730 (64.5)
105	4,150 (52.9)	3,950 (57.2)	3,650 (60.8)	3,500 (62.5)
110	4,010 (50.1)	3,710 (54.8)	3,420 (58.7)	3,270 (60.5)
115	3,550 (47.1)	3,470 (52.3)	3,200 (56.5)	2,940 (58.4)
120	3,110 (43.9)	3,030 (49.7)	2,940 (54.2)	2,610 (56.3)
125	2,720 (40.3)	2,630 (46.9)	2,550 (51.8)	2,320 (54.1)
130	2,350 (35.2)	2,270 (43.9)	2,180 (49.3)	2,040 (51.8)
135	2,010 (29.6)	1,930 (40.5)	1,850 (46.7)	1,770 (49.4)
140	1,700 (23)	1,620 (35.8)	1,540 (43.9)	1,460 (46.9)
145		1,330 (30.6)	1,250 (40.7)	1,170 (44.2)
150		1,070 (24.7)	990 (36.3)	910 (41.1)
155		820 (17.3)	740 (31.5)	660 (36.9)
160			510 (26.1)	
Min. boom angle for indicated length (no load)	16.3°	16.3°	25.1°	35.9°
Max. boom length at 0° boom angle (no load)	47.6 ft.	47.6 ft.	47.6 ft.	47.6 ft.

#RCL operating code. Refer to Operator's Manual for operating instructions. 80131252\_15

NOTE: ( ) Boom angles are in degrees.

**BOOM EXTENSION CAPACITY NOTES:**

- 36 ft. extension length may be used for single line lifting service only.
- For boom angles not shown, use the rating of the next lower boom angle.  
**WARNING:** Operation of this machine with heavier loads than the capacities listed is strictly prohibited. Machine tipping with boom extension occurs rapidly and without advance warning.
- Boom angle is the angle above or below horizontal of the longitudinal axis of the boom base section after lifting rated load.
- Capacities listed are with outriggers properly extended and vertical jacks set only.

**RATED LIFTING CAPACITIES IN POUNDS  
36 FT. FIXED OFFSETABLE BOOM EXTENSION  
WITH 6,000 LB. COUNTERWEIGHT  
ON OUTRIGGERS FULLY EXTENDED - OVER REAR  
36 FT. EXTENSION AT 30° OFFSET ANGLE**

Radius in Feet	#5050			
	Main Boom Length in Feet			
	120-G	132-H	144-J	150.5
50	5,660 (78.6)			
55	5,530 (76.9)	5,440 (78.2)		
60	5,420 (75.1)	5,350 (76.6)	5,190 (78)	
65	5,320 (73.3)	5,190 (75)	5,000 (76.5)	4,870 (77.2)
70	5,140 (71.5)	4,990 (73.4)	4,810 (75)	4,700 (75.8)
75	4,940 (69.6)	4,800 (71.7)	4,640 (73.5)	4,540 (74.3)
80	4,760 (67.7)	4,630 (70)	4,470 (72)	4,380 (72.9)
85	4,580 (65.5)	4,460 (68.2)	4,320 (70.4)	4,230 (71.4)
90	4,420 (63.1)	4,310 (66.4)	4,170 (68.8)	4,090 (69.9)
95	4,270 (60.6)	4,160 (64.1)	4,030 (67.1)	3,960 (68.3)
100	4,130 (57.9)	4,020 (61.8)	3,900 (65)	3,820 (66.6)
105	4,010 (55.2)	3,900 (59.4)	3,730 (62.9)	3,580 (64.6)
110	3,890 (52.2)	3,780 (56.9)	3,500 (60.7)	3,360 (62.5)
115	3,750 (49.2)	3,550 (54.3)	3,280 (58.5)	3,100 (60.4)
120	3,280 (45.8)	3,230 (51.6)	3,070 (56.1)	2,760 (58.2)
125	2,850 (42.2)	2,810 (48.7)	2,760 (53.7)	2,450 (56)
130	2,450 (37)	2,420 (45.6)	2,370 (51.1)	2,170 (53.6)
135		2,050 (42.3)	2,010 (48.4)	1,900 (51.1)
140		1,710 (37.4)	1,670 (45.5)	1,610 (48.5)
145			1,360 (42.4)	1,310 (45.7)
150			1,070 (37.8)	1,020 (42.7)
155				750 (38.4)
Min. boom angle for indicated length (no load)	36°	36.4°	36.8°	37.4°
Max. boom length at 0° boom angle (no load)	47.6 ft.	47.6 ft.	47.6 ft.	47.6 ft.

#RCL operating code. Refer to Operator's Manual for operating instructions. 80131252\_30

NOTE: ( ) Boom angles are in degrees.

**BOOM EXTENSION CAPACITY NOTES:**

- 36 ft. extension length may be used for single line lifting service only.
- For boom angles not shown, use the rating of the next lower boom angle.

**WARNING:** Operation of this machine with heavier loads than the capacities listed is strictly prohibited. Machine tipping with boom extension occurs rapidly and without advance warning.

- Boom angle is the angle above or below horizontal of the longitudinal axis of the boom base section after lifting rated load.
- Capacities listed are with outriggers properly extended and vertical jacks set only.

**RATED LIFTING CAPACITIES IN POUNDS**  
**37 FT. - 151 FT. BOOM**  
**WITH 6,000 LB. COUNTERWEIGHT**  
**ON OUTRIGGERS 50% EXTENDED - 360°**

Radius in Feet	#5401										
	Main Boom Length in Feet										
	36.8	48-A	60-B	72-C	84-D	96-E	108-F	120-G	132-H	144-J	150.5
6	120,000 (74.1)	49,600 (78.5)									
8	107,000 (70.9)	49,600 (76.2)	49,600 (79.5)								
10	95,350 (67.6)	49,600 (73.9)	49,600 (77.7)								
12	84,250 (63.8)	49,600 (71.5)	49,600 (75.9)	49,600 (78.7)							
15	61,150 (57.8)	49,600 (67.8)	49,600 (73.1)	46,700 (76.5)	39,700 (78.9)						
20	36,050 (46.4)	35,850 (60.5)	34,500 (68.3)	33,150 (72.7)	31,800 (75.7)	30,250 (77.8)	23,550 (79.7)				
25	22,950 (30)	24,000 (52.4)	24,300 (62.7)	23,600 (68.7)	22,850 (72.5)	22,150 (75.1)	21,150 (77.3)	18,600 (79)			
30		16,900 (43.1)	17,400 (56.6)	17,650 (64.3)	17,250 (69.1)	16,800 (72.3)	16,350 (74.9)	15,900 (76.8)	14,500 (78.4)	11,300 (79.7)	
35		12,200 (29.8)	12,850 (49.8)	13,150 (59.3)	13,300 (65.5)	13,100 (69.4)	12,750 (72.4)	12,450 (74.6)	12,150 (76.5)	11,300 (78)	10,050 (78.8)
40			9,750 (42.1)	10,050 (53.9)	10,250 (61.2)	10,350 (66.4)	10,100 (69.8)	9,930 (72.4)	9,710 (74.5)	9,470 (76.2)	9,280 (77.1)
45			7,370 (31.5)	7,760 (48.1)	7,930 (56.8)	8,070 (62.8)	8,120 (67.1)	7,960 (70.1)	7,800 (72.5)	7,610 (74.4)	7,450 (75.4)
50			5,570 (15.9)	5,970 (41.6)	6,170 (52.1)	6,300 (59)	6,380 (64)	6,400 (67.8)	6,270 (70.4)	6,130 (72.6)	5,990 (73.6)
55				4,540 (32.7)	4,770 (47)	4,900 (55)	4,980 (60.7)	5,050 (65)	5,030 (68.3)	4,910 (70.7)	4,790 (71.8)
60				3,390 (21)	3,630 (41.3)	3,780 (50.7)	3,850 (57.2)	3,920 (62.1)	3,970 (65.9)	3,890 (68.8)	3,780 (70)
65					2,670 (33.6)	2,850 (46.2)	2,920 (53.6)	2,990 (59.1)	3,030 (63.3)	3,040 (66.7)	2,930 (68.1)
70					1,870 (24.1)	2,050 (41.2)	2,140 (49.7)	2,210 (55.9)	2,250 (60.6)	2,270 (64.3)	2,210 (66)
75					1,200 (8.3)	1,370 (34.3)	1,480 (45.6)	1,540 (52.6)	1,590 (57.7)	1,610 (61.8)	1,560 (63.7)
80						780 (26.3)	890 (41.1)	970 (49.1)	1,010 (54.8)	1,030 (59.3)	990 (61.3)
85									520 (51.7)	540 (56.7)	
Min. boom angle for indicated length (no load)						25.3°	40.1°	48.1°	50.7°	55.7°	60.3°
Max. boom length at 0° boom angle (no load)						83.6 ft.					

#RCL operating code. Refer to Operator's Manual for operating instructions.

NOTE: ( ) Boom angles are in degrees.

Boom Angle	Main Boom Length in Feet										
	36.8	48-A	60-B	72-C	84-D	96-E	108-F	120-G	132-H	144-J	150.5
0°	14,400 (28.3)	9,320 (39.5)	5,110 (51.5)	2,720 (63.5)	1,150 (75.5)						

NOTE: ( ) Reference radii in feet.

Rated Load Reductions from main boom capacity when lifting over main boom nose with:											
36' lattice	4,300	2,800	2,650	2,500	2,300	2,300	2,300	2,300	2,300	2,300	2,250

80131218

**RATED LIFTING CAPACITIES IN POUNDS**  
**36 FT. FIXED OFFSETABLE BOOM EXTENSION**  
**WITH 6,000 LB. COUNTERWEIGHT**  
**ON OUTRIGGERS 50% EXTENDED - 360°**  
**36 FT. EXTENSION AT 0° OFFSET ANGLE**

Radius in Feet	#5415			
	Main Boom Length in Feet			
	120-G	132-H	144-J	150.5
30	7,720 (80)			
35	7,720 (78.4)	6,370 (79.6)		
40	7,720 (76.8)	6,370 (78.1)	5,200 (79.2)	4,420 (79.8)
45	7,720 (75.2)	6,370 (76.6)	5,200 (77.8)	4,420 (78.5)
50	6,780 (73.5)	6,370 (75.1)	5,200 (76.4)	4,420 (77.1)
55	5,580 (71.8)	5,310 (73.6)	5,050 (75)	4,420 (75.8)
60	4,580 (70.1)	4,340 (72)	4,100 (73.6)	3,930 (74.4)
65	3,730 (68.4)	3,510 (70.5)	3,290 (72.2)	3,130 (73.1)
70	2,960 (66.6)	2,790 (68.8)	2,590 (70.7)	2,440 (71.7)
75	2,290 (64.4)	2,170 (67.2)	1,980 (69.2)	1,830 (70.3)
80	1,710 (62.1)	1,600 (65.2)	1,450 (67.7)	1,310 (68.8)
85	1,210 (59.8)	1,100 (63.2)	970 (65.9)	840 (67.3)
90	780 (57.4)	660 (61)	550 (64)	
Min. boom angle for indicated length (no load)	56.4°	60°	63°	66.3°
Max. boom length at 0° boom angle (no load)	47.6 ft.	47.6 ft.	47.6 ft.	47.6 ft.

#RCL operating code. Refer to Operator's Manual for operating instructions. 80131254\_0

NOTE: ( ) Boom angles are in degrees.

**BOOM EXTENSION CAPACITY NOTES:**

1. 36 ft. extension length may be used for single line lifting service only.
  2. For boom angles not shown, use the rating of the next lower boom angle.
- WARNING:** Operation of this machine with heavier loads than the capacities listed is strictly prohibited. Machine tipping with boom extension occurs rapidly and without advance warning.
3. Boom angle is the angle above or below horizontal of the longitudinal axis of the boom base section after lifting rated load.
  4. Capacities listed are with outriggers properly extended and vertical jacks set only.



**RATED LIFTING CAPACITIES IN POUNDS**  
**36 FT. FIXED OFFSETABLE BOOM EXTENSION**  
**WITH 6,000 LB. COUNTERWEIGHT**  
**ON OUTRIGGERS 50% EXTENDED - 360°**  
**36 FT. EXTENSION AT 15° OFFSET ANGLE**

Radius in Feet	#5420			
	Main Boom Length in Feet			
	120-G	132-H	144-J	150.5
40	7,000 (79.5)			
45	6,730 (77.8)			
50	6,540 (76.2)	6,400 (77.6)		
55	6,360 (74.5)	6,150 (76.1)	5,590 (77.4)	4,940 (78)
60	5,400 (72.8)	5,170 (74.5)	4,940 (75.9)	4,790 (76.7)
65	4,470 (71)	4,260 (72.9)	4,060 (74.5)	3,910 (75.3)
70	3,630 (69.2)	3,480 (71.3)	3,290 (73)	3,150 (73.9)
75	2,890 (67.4)	2,800 (69.6)	2,630 (71.6)	2,490 (72.5)
80	2,260 (65.3)	2,170 (68)	2,040 (70)	1,910 (71.1)
85	1,710 (63)	1,620 (66.1)	1,520 (68.5)	1,400 (69.6)
90	1,220 (60.6)	1,140 (64)	1,050 (66.9)	940 (68.1)
95	800 (58.1)	710 (61.8)	620 (64.9)	530 (66.4)
Min. boom angle for indicated length (no load)	57.1°	60.8°	63.9°	65.4°
Max. boom length at 0° boom angle (no load)	47.6 ft.	47.6 ft.	47.6 ft.	47.6 ft.

#RCL operating code. Refer to Operator's Manual for operating instructions. 80131254\_15

NOTE: ( ) Boom angles are in degrees.

**BOOM EXTENSION CAPACITY NOTES:**

1. 36 ft. extension length may be used for single line lifting service only.
2. For boom angles not shown, use the rating of the next lower boom angle.

**WARNING:** Operation of this machine with heavier loads than the capacities listed is strictly prohibited. Machine tipping with boom extension occurs rapidly and without advance warning.

3. Boom angle is the angle above or below horizontal of the longitudinal axis of the boom base section after lifting rated load.
4. Capacities listed are with outriggers properly extended and vertical jacks set only.

**RATED LIFTING CAPACITIES IN POUNDS  
36 FT. FIXED OFFSETABLE BOOM EXTENSION  
WITH 6,000 LB. COUNTERWEIGHT  
ON OUTRIGGERS 50% EXTENDED - 360°  
36 FT. EXTENSION AT 30° OFFSET ANGLE**

Radius in Feet	#5425			
	Main Boom Length in Feet			
	120-G	132-H	144-J	150.5
50	5,660 (78.6)			
55	5,530 (76.9)	5,440 (78.2)		
60	5,420 (75.1)	5,350 (76.6)	5,190 (78)	
65	5,130 (73.3)	4,940 (75)	4,760 (76.5)	4,620 (77.2)
70	4,210 (71.5)	4,100 (73.4)	3,920 (75)	3,800 (75.8)
75	3,420 (69.6)	3,350 (71.7)	3,200 (73.5)	3,080 (74.3)
80	2,730 (67.7)	2,660 (70)	2,560 (72)	2,450 (72.9)
85	2,130 (65.5)	2,070 (68.2)	2,000 (70.4)	1,890 (71.4)
90	1,600 (63.1)	1,540 (66.4)	1,470 (68.8)	1,390 (69.9)
95	1,130 (60.6)	1,070 (64.1)	1,010 (67.1)	940 (68.3)
100	710 (57.9)	660 (61.8)	590 (65)	530 (66.6)
Min. boom angle for indicated length (no load)	56.9°	60.8°	64°	65.6°
Max. boom length at 0° boom angle (no load)	47.6 ft.	47.6 ft.	47.6 ft.	47.6 ft.

#RCL operating code. Refer to Operator's Manual for operating instructions. 80131254\_30

NOTE: ( ) Boom angles are in degrees.

**BOOM EXTENSION CAPACITY NOTES:**

1. 36 ft. extension length may be used for single line lifting service only.
2. For boom angles not shown, use the rating of the next lower boom angle.  
**WARNING:** Operation of this machine with heavier loads than the capacities listed is strictly prohibited. Machine tipping with boom extension occurs rapidly and without advance warning.
3. Boom angle is the angle above or below horizontal of the longitudinal axis of the boom base section after lifting rated load.
4. Capacities listed are with outriggers properly extended and vertical jacks set only.

**RATED LIFTING CAPACITIES IN POUNDS**  
**37 FT. - 151 FT. BOOM**  
**WITH 6,000 LB. COUNTERWEIGHT**  
**ON OUTRIGGERS 0% EXTENDED - 360°**

Radius in Feet	#5801										
	Main Boom Length in Feet										
	36.8	48-A	60-B	72-C	84-D	96-E	108-F	120-G	132-H	144-J	150.5
6	79,950 (74.1)	49,600 (78.5)									
8	52,900 (70.9)	48,700 (76.2)	44,750 (79.5)								
10	38,450 (67.6)	36,250 (73.9)	33,950 (77.7)								
12	29,450 (63.8)	28,250 (71.5)	26,850 (75.9)	25,450 (78.7)							
15	20,850 (57.8)	20,450 (67.8)	19,750 (73.1)	18,950 (76.5)	18,100 (78.9)						
20	12,500 (46.4)	12,900 (60.5)	12,700 (68.3)	12,400 (72.7)	12,000 (75.7)	11,550 (77.8)	11,150 (79.7)				
25	7,390 (30)	8,360 (52.4)	8,550 (62.7)	8,430 (68.7)	8,220 (72.5)	8,000 (75.1)	7,730 (77.3)	7,470 (79)			
30		5,250 (43.1)	5,690 (56.6)	5,760 (64.3)	5,650 (69.1)	5,540 (72.3)	5,370 (74.9)	5,210 (76.8)	5,030 (78.4)	4,840 (79.7)	
35		3,040 (29.8)	3,630 (49.8)	3,820 (59.3)	3,800 (65.5)	3,750 (69.4)	3,640 (72.4)	3,540 (74.6)	3,420 (76.5)	3,280 (78)	3,150 (78.8)
40			2,090 (42.1)	2,310 (53.9)	2,400 (61.2)	2,390 (66.4)	2,320 (69.8)	2,260 (72.4)	2,180 (74.5)	2,080 (76.2)	1,960 (77.1)
45			870 (31.5)	1,150 (48.1)	1,260 (56.8)	1,320 (62.8)	1,280 (67.1)	1,250 (70.1)	1,190 (72.5)	1,120 (74.4)	1,010 (75.4)
Min. boom angle for indicated length (no load)			30.5°	47.1°	55.8°	61.8°	66.1°	69.1°	71.5°	73.4°	74.4°
Max. boom length at 0° boom angle (no load)			47.6 ft.								

#RCL operating code. Refer to Operator's Manual for operating instructions.

NOTE: ( ) Boom angles are in degrees.

Boom Angle	Main Boom Length in Feet										
	36.8	48-A	60-B	72-C	84-D	96-E	108-F	120-G	132-H	144-J	150.5
0°	5,130 (28.3)	1,590 (39.5)									

NOTE: ( ) Reference radii in feet.

Rated Load Reductions from main boom capacity when lifting over main boom nose with:											
36' lattice	6,400	3,650	3,450	2,300	2,300	2,300	2,300	2,300	2,300	2,300	2,250

80131219

**RATED LIFTING CAPACITIES IN POUNDS**  
**37 FT. - 151 FT. BOOM**  
**WITH 5,000 LB. COUNTERWEIGHT**  
**ON OUTRIGGERS FULLY EXTENDED - 360°**

Radius in Feet	#6001										
	Main Boom Length in Feet										
	36.8	48-A	60-B	72-C	84-D	96-E	108-F	120-G	132-H	144-J	150.5
6	116,000 (74.1)	49,600 (78.5)									
8	100,000 (70.9)	49,600 (76.2)	49,600 (79.5)								
10	87,400 (67.6)	49,600 (73.9)	49,600 (77.7)								
12	77,400 (63.8)	49,600 (71.5)	49,600 (75.9)	49,600 (78.7)							
15	65,650 (57.8)	49,600 (67.8)	49,600 (73.1)	46,700 (76.5)	39,700 (78.9)						
20	51,800 (46.4)	49,600 (60.5)	49,600 (68.3)	42,050 (72.7)	36,100 (75.7)	30,250 (77.8)	23,550 (79.7)				
25	37,450 (30)	40,900 (52.4)	41,700 (62.7)	38,150 (68.7)	32,950 (72.5)	27,400 (75.1)	21,150 (77.3)	18,600 (79)			
30		31,800 (43.1)	32,600 (56.6)	33,000 (64.3)	30,250 (69.1)	24,700 (72.3)	19,100 (74.9)	16,950 (76.8)	14,500 (78.4)	11,300 (79.7)	
35		25,500 (29.8)	26,250 (49.8)	26,700 (59.3)	26,950 (65.5)	22,350 (69.4)	17,250 (72.4)	15,450 (74.6)	13,900 (76.5)	11,300 (78)	10,050 (78.8)
40			20,550 (42.1)	20,850 (53.9)	21,150 (61.2)	20,300 (66.4)	15,700 (69.8)	14,150 (72.4)	12,800 (74.5)	11,300 (76.2)	10,050 (77.1)
45			16,400 (31.5)	16,700 (48.1)	16,900 (56.8)	17,050 (62.8)	14,350 (67.1)	12,950 (70.1)	11,750 (72.5)	10,700 (74.4)	10,050 (75.4)
50			13,100 (15.9)	13,600 (41.6)	13,800 (52.1)	13,950 (59)	13,200 (64)	11,900 (67.8)	10,850 (70.4)	9,930 (72.6)	9,470 (73.6)
55				11,250 (32.7)	11,400 (47)	11,550 (55)	11,650 (60.7)	11,000 (65)	10,000 (68.3)	9,200 (70.7)	8,780 (71.8)
60				9,430 (21)	9,600 (41.3)	9,750 (50.7)	9,810 (57.2)	9,850 (62.1)	9,300 (65.9)	8,540 (68.8)	8,160 (70)
65					8,070 (33.6)	8,210 (46.2)	8,280 (53.6)	8,310 (59.1)	8,340 (63.3)	7,940 (66.7)	7,590 (68.1)
70					6,810 (24.1)	6,940 (41.2)	7,020 (49.7)	7,040 (55.9)	7,070 (60.6)	7,130 (64.3)	7,070 (66)
75					5,400 (8.3)	5,870 (34.3)	5,950 (45.6)	5,980 (52.6)	6,000 (57.7)	6,060 (61.8)	6,070 (63.7)
80						4,970 (26.3)	5,040 (41.1)	5,070 (49.1)	5,080 (54.8)	5,150 (59.3)	5,150 (61.3)
85						4,190 (15.3)	4,250 (35)	4,280 (45.3)	4,290 (51.7)	4,370 (56.7)	4,360 (58.8)
90							3,570 (27.9)	3,590 (41.2)	3,610 (48.5)	3,680 (53.9)	3,670 (56.3)
95							2,980 (19)	2,990 (35.6)	3,000 (45)	3,080 (51.1)	3,060 (53.7)
100								2,460 (29.3)	2,470 (41.2)	2,550 (48)	2,530 (50.9)
105								1,980 (21.7)	1,990 (36.1)	2,070 (44.8)	2,050 (48)
110								1,550 (10.7)	1,560 (30.3)	1,640 (41.3)	1,620 (45)
115									1,170 (23.7)	1,250 (36.5)	1,220 (41.6)
120									820 (15.1)	900 (31.3)	830 (37)
125										580 (25.4)	
Min. boom angle for indicated length (no load)								9.7°	14.1°	24.4°	36°
Max. boom length at 0° boom angle (no load)								107.6 ft.			

#RCL operating code. Refer to Operator's Manual for operating instructions.

NOTE: ( ) Boom angles are in degrees.

Boom Angle	Main Boom Length in Feet										
	36.8	48-A	60-B	72-C	84-D	96-E	108-F	120-G	132-H	144-J	150.5
0°	14,400 (28.3)	10,000 (39.5)	6,570 (51.5)	4,360 (63.5)	2,820 (75.5)	1,690 (87.5)	820 (99.5)				

NOTE: ( ) Reference radii in feet.

Rated Load Reductions from main boom capacity when lifting over main boom nose with:											
36' lattice	2,300	2,300	2,300	2,300	2,300	2,300	2,300	2,300	2,300	2,300	2,250

80131220

**RATED LIFTING CAPACITIES IN POUNDS  
36 FT. FIXED OFFSETABLE BOOM EXTENSION  
WITH 5,000 LB. COUNTERWEIGHT  
ON OUTRIGGERS FULLY EXTENDED - 360°  
36 FT. EXTENSION AT 0° OFFSET ANGLE**

Radius in Feet	#6015			
	Main Boom Length in Feet			
	120-G	132-H	144-J	150.5
30	7,720 (80)			
35	7,720 (78.4)	6,370 (79.6)		
40	7,720 (76.8)	6,370 (78.1)	5,200 (79.2)	4,420 (79.8)
45	7,720 (75.2)	6,370 (76.6)	5,200 (77.8)	4,420 (78.5)
50	7,670 (73.5)	6,370 (75.1)	5,200 (76.4)	4,420 (77.1)
55	7,260 (71.8)	6,370 (73.6)	5,200 (75)	4,420 (75.8)
60	6,880 (70.1)	6,370 (72)	5,200 (73.6)	4,420 (74.4)
65	6,520 (68.4)	6,260 (70.5)	5,200 (72.2)	4,420 (73.1)
70	6,180 (66.6)	5,960 (68.8)	5,200 (70.7)	4,420 (71.7)
75	5,870 (64.4)	5,690 (67.2)	5,200 (69.2)	4,420 (70.3)
80	5,580 (62.1)	5,400 (65.2)	4,990 (67.7)	4,420 (68.8)
85	4,970 (59.8)	4,840 (63.2)	4,680 (65.9)	4,420 (67.3)
90	4,280 (57.4)	4,160 (61)	4,040 (64)	3,940 (65.5)
95	3,670 (54.9)	3,550 (58.8)	3,430 (62.1)	3,340 (63.7)
100	3,140 (52.4)	3,020 (56.6)	2,900 (60)	2,800 (61.8)
105	2,660 (49.7)	2,540 (54.3)	2,420 (58)	2,330 (59.8)
110	2,240 (46.9)	2,110 (51.9)	2,000 (55.9)	1,900 (57.8)
115	1,850 (44)	1,730 (49.4)	1,610 (53.7)	1,520 (55.7)
120	1,510 (40.8)	1,380 (46.7)	1,270 (51.4)	1,170 (53.6)
125	1,200 (36.3)	1,070 (44)	950 (49.1)	850 (51.4)
130	910 (31.5)	780 (40.9)	660 (46.6)	560 (49.2)
135	660 (26.2)	520 (36.8)		
Min. boom angle for indicated length (no load)	25.2°	35.8°	45.6°	48.2°
Max. boom length at 0° boom angle (no load)	47.6 ft.	47.6 ft.	47.6 ft.	47.6 ft.

#RCL operating code. Refer to Operator's Manual for operating instructions. 80131255\_0

NOTE: ( ) Boom angles are in degrees.

**BOOM EXTENSION CAPACITY NOTES:**

1. 36 ft. extension length may be used for single line lifting service only.
2. For boom angles not shown, use the rating of the next lower boom angle.  
**WARNING:** Operation of this machine with heavier loads than the capacities listed is strictly prohibited. Machine tipping with boom extension occurs rapidly and without advance warning.
3. Boom angle is the angle above or below horizontal of the longitudinal axis of the boom base section after lifting rated load.
4. Capacities listed are with outriggers properly extended and vertical jacks set only.

**RATED LIFTING CAPACITIES IN POUNDS  
36 FT. FIXED OFFSETABLE BOOM EXTENSION  
WITH 5,000 LB. COUNTERWEIGHT  
ON OUTRIGGERS FULLY EXTENDED - 360°  
36 FT. EXTENSION AT 15° OFFSET ANGLE**

Radius in Feet	#6020			
	Main Boom Length in Feet			
	120-G	132-H	144-J	150.5
40	7,000 (79.5)			
45	6,730 (77.8)			
50	6,540 (76.2)	6,400 (77.6)		
55	6,360 (74.5)	6,150 (76.1)	5,590 (77.4)	4,940 (78)
60	6,100 (72.8)	5,880 (74.5)	5,590 (75.9)	4,940 (76.7)
65	5,810 (71)	5,620 (72.9)	5,370 (74.5)	4,940 (75.3)
70	5,550 (69.2)	5,380 (71.3)	5,160 (73)	4,940 (73.9)
75	5,300 (67.4)	5,150 (69.6)	4,960 (71.6)	4,840 (72.5)
80	5,070 (65.3)	4,930 (68)	4,760 (70)	4,660 (71.1)
85	4,860 (63)	4,730 (66.1)	4,580 (68.5)	4,480 (69.6)
90	4,660 (60.6)	4,550 (64)	4,400 (66.9)	4,250 (68.1)
95	4,090 (58.1)	4,000 (61.8)	3,910 (64.9)	3,820 (66.4)
100	3,520 (55.6)	3,430 (59.5)	3,330 (62.9)	3,250 (64.5)
105	3,000 (52.9)	2,910 (57.2)	2,820 (60.8)	2,740 (62.5)
110	2,540 (50.1)	2,450 (54.8)	2,360 (58.7)	2,280 (60.5)
115	2,120 (47.1)	2,040 (52.3)	1,950 (56.5)	1,870 (58.4)
120	1,750 (43.9)	1,660 (49.7)	1,570 (54.2)	1,490 (56.3)
125	1,400 (40.3)	1,320 (46.9)	1,230 (51.8)	1,150 (54.1)
130	1,090 (35.2)	1,000 (43.9)	920 (49.3)	830 (51.8)
135	790 (29.6)	710 (40.5)	630 (46.7)	550 (49.4)
140	530 (23)			
Min. boom angle for indicated length (no load)	22°	39.5°	45.7°	48.4°
Max. boom length at 0° boom angle (no load)	47.6 ft.	47.6 ft.	47.6 ft.	47.6 ft.

#RCL operating code. Refer to Operator's Manual for operating instructions. 80131255\_15

NOTE: ( ) Boom angles are in degrees.

**BOOM EXTENSION CAPACITY NOTES:**

1. 36 ft. extension length may be used for single line lifting service only.
2. For boom angles not shown, use the rating of the next lower boom angle.  
**WARNING:** Operation of this machine with heavier loads than the capacities listed is strictly prohibited. Machine tipping with boom extension occurs rapidly and without advance warning.
3. Boom angle is the angle above or below horizontal of the longitudinal axis of the boom base section after lifting rated load.
4. Capacities listed are with outriggers properly extended and vertical jacks set only.

**RATED LIFTING CAPACITIES IN POUNDS**  
**36 FT. FIXED OFFSETABLE BOOM EXTENSION**  
**WITH 5,000 LB. COUNTERWEIGHT**  
**ON OUTRIGGERS FULLY EXTENDED - 360°**  
**36 FT. EXTENSION AT 30° OFFSET ANGLE**

Radius in Feet	#6025			
	Main Boom Length in Feet			
	120-G	132-H	144-J	150.5
50	5,660 (78.6)			
55	5,530 (76.9)	5,440 (78.2)		
60	5,420 (75.1)	5,350 (76.6)	5,190 (78)	
65	5,320 (73.3)	5,190 (75)	5,000 (76.5)	4,870 (77.2)
70	5,140 (71.5)	4,990 (73.4)	4,810 (75)	4,700 (75.8)
75	4,940 (69.6)	4,800 (71.7)	4,640 (73.5)	4,540 (74.3)
80	4,760 (67.7)	4,630 (70)	4,470 (72)	4,380 (72.9)
85	4,580 (65.5)	4,460 (68.2)	4,320 (70.4)	4,230 (71.4)
90	4,420 (63.1)	4,310 (66.4)	4,170 (68.8)	4,090 (69.9)
95	4,270 (60.6)	4,160 (64.1)	4,030 (67.1)	3,960 (68.3)
100	3,820 (57.9)	3,760 (61.8)	3,700 (65)	3,630 (66.6)
105	3,270 (55.2)	3,210 (59.4)	3,150 (62.9)	3,080 (64.6)
110	2,770 (52.2)	2,720 (56.9)	2,660 (60.7)	2,590 (62.5)
115	2,320 (49.2)	2,270 (54.3)	2,220 (58.5)	2,150 (60.4)
120	1,910 (45.8)	1,870 (51.6)	1,810 (56.1)	1,740 (58.2)
125	1,530 (42.2)	1,500 (48.7)	1,440 (53.7)	1,380 (56)
130	1,190 (37)	1,150 (45.6)	1,100 (51.1)	1,040 (53.6)
135		840 (42.3)	790 (48.4)	730 (51.1)
140		540 (37.4)	500 (45.5)	
Min. boom angle for indicated length (no load)	36°	36.4°	44.5°	50.1°
Max. boom length at 0° boom angle (no load)	47.6 ft.	47.6 ft.	47.6 ft.	47.6 ft.

#RCL operating code. Refer to Operator's Manual for operating instructions. 80131255\_30

NOTE: ( ) Boom angles are in degrees.

**BOOM EXTENSION CAPACITY NOTES:**

1. 36 ft. extension length may be used for single line lifting service only.
2. For boom angles not shown, use the rating of the next lower boom angle.

**WARNING:** Operation of this machine with heavier loads than the capacities listed is strictly prohibited. Machine tipping with boom extension occurs rapidly and without advance warning.

3. Boom angle is the angle above or below horizontal of the longitudinal axis of the boom base section after lifting rated load.
4. Capacities listed are with outriggers properly extended and vertical jacks set only.

**RATED LIFTING CAPACITIES IN POUNDS**  
**37 FT. - 151 FT. BOOM**  
**WITH 5,000 LB. COUNTERWEIGHT**  
**ON OUTRIGGERS FULLY EXTENDED - OVER REAR**

Radius in Feet	#6026										
	Main Boom Length in Feet										
	36.8	48-A	60-B	72-C	84-D	96-E	108-F	120-G	132-H	144-J	150.5
6	120,000 (74.1)	49,600 (78.5)									
8	107,000 (70.9)	49,600 (76.2)	49,600 (79.5)								
10	95,750 (67.6)	49,600 (73.9)	49,600 (77.7)								
12	85,900 (63.8)	49,600 (71.5)	49,600 (75.9)	49,600 (78.7)							
15	74,150 (57.8)	49,600 (67.8)	49,600 (73.1)	46,700 (76.5)	39,700 (78.9)						
20	57,250 (46.4)	49,600 (60.5)	49,600 (68.3)	42,050 (72.7)	36,100 (75.7)	30,250 (77.8)	23,550 (79.7)				
25	37,450 (30)	44,200 (52.4)	44,750 (62.7)	38,150 (68.7)	32,950 (72.5)	27,400 (75.1)	21,150 (77.3)	18,600 (79)			
30		35,100 (43.1)	35,650 (56.6)	34,950 (64.3)	30,250 (69.1)	24,700 (72.3)	19,100 (74.9)	16,950 (76.8)	14,500 (78.4)	11,300 (79.7)	
35		27,400 (29.8)	29,200 (49.8)	29,500 (59.3)	27,950 (65.5)	22,350 (69.4)	17,250 (72.4)	15,450 (74.6)	13,900 (76.5)	11,300 (78)	10,050 (78.8)
40			23,350 (42.1)	23,600 (53.9)	23,800 (61.2)	20,300 (66.4)	15,700 (69.8)	14,150 (72.4)	12,800 (74.5)	11,300 (76.2)	10,050 (77.1)
45			19,000 (31.5)	19,300 (48.1)	19,450 (56.8)	18,600 (62.8)	14,350 (67.1)	12,950 (70.1)	11,750 (72.5)	10,700 (74.4)	10,050 (75.4)
50			13,100 (15.9)	16,000 (41.6)	16,150 (52.1)	16,250 (59)	13,200 (64)	11,900 (67.8)	10,850 (70.4)	9,930 (72.6)	9,470 (73.6)
55				13,450 (32.7)	13,600 (47)	13,700 (55)	12,150 (60.7)	11,000 (65)	10,000 (68.3)	9,200 (70.7)	8,780 (71.8)
60				11,400 (21)	11,550 (41.3)	11,650 (50.7)	11,250 (57.2)	10,150 (62.1)	9,300 (65.9)	8,540 (68.8)	8,160 (70)
65					9,960 (33.6)	10,050 (46.2)	10,150 (53.6)	9,460 (59.1)	8,640 (63.3)	7,940 (66.7)	7,590 (68.1)
70					8,570 (24.1)	8,680 (41.2)	8,750 (49.7)	8,800 (55.9)	8,030 (60.6)	7,380 (64.3)	7,070 (66)
75					5,400 (8.3)	7,510 (34.3)	7,570 (45.6)	7,630 (52.6)	7,460 (57.7)	6,840 (61.8)	6,550 (63.7)
80						6,510 (26.3)	6,560 (41.1)	6,620 (49.1)	6,660 (54.8)	6,260 (59.3)	5,980 (61.3)
85						5,620 (15.3)	5,690 (35)	5,750 (45.3)	5,790 (51.7)	5,720 (56.7)	5,460 (58.8)
90							4,930 (27.9)	4,980 (41.2)	5,020 (48.5)	5,040 (53.9)	4,990 (56.3)
95							4,260 (19)	4,310 (35.6)	4,350 (45)	4,360 (51.1)	4,320 (53.7)
100								3,720 (29.3)	3,750 (41.2)	3,760 (48)	3,720 (50.9)
105								3,190 (21.7)	3,220 (36.1)	3,230 (44.8)	3,190 (48)
110								2,440 (10.7)	2,740 (30.3)	2,750 (41.3)	2,710 (45)
115									2,310 (23.7)	2,320 (36.5)	2,270 (41.6)
120									1,920 (15.1)	1,930 (31.3)	1,880 (37)
125										1,570 (25.4)	1,520 (32.1)
130										1,240 (18.1)	1,200 (26.5)
135											900 (19.9)
140											630 (10.5)
Min. boom angle for indicated length (no load)								9.5°	9.5°	9.5°	9.5°
Max. boom length at 0° boom angle (no load)								107.6 ft.			

#RCL operating code. Refer to Operator's Manual for operating instructions.

NOTE: ( ) Boom angles are in degrees.

Boom Angle	Main Boom Length in Feet										
	36.8	48-A	60-B	72-C	84-D	96-E	108-F	120-G	132-H	144-J	150.5
0°	14,400 (28.3)	10,000 (39.5)	6,570 (51.5)	4,360 (63.5)	2,820 (75.5)	1,690 (87.5)	820 (99.5)				

NOTE: ( ) Reference radii in feet.

Rated Load Reductions from main boom capacity when lifting over main boom nose with:										
36' lattice	2,200	2,300	2,300	2,300	2,300	2,300	2,300	2,300	2,300	2,250

80131221



**RATED LIFTING CAPACITIES IN POUNDS  
36 FT. FIXED OFFSETABLE BOOM EXTENSION  
WITH 5,000 LB. COUNTERWEIGHT  
ON OUTRIGGERS FULLY EXTENDED - OVER REAR  
36 FT. EXTENSION AT 0° OFFSET ANGLE**

Radius in Feet	#6040			
	Main Boom Length in Feet			
	120-G	132-H	144-J	150.5
30	7,720 (80)			
35	7,720 (78.4)	6,370 (79.6)		
40	7,720 (76.8)	6,370 (78.1)	5,200 (79.2)	4,420 (79.8)
45	7,720 (75.2)	6,370 (76.6)	5,200 (77.8)	4,420 (78.5)
50	7,670 (73.5)	6,370 (75.1)	5,200 (76.4)	4,420 (77.1)
55	7,260 (71.8)	6,370 (73.6)	5,200 (75)	4,420 (75.8)
60	6,880 (70.1)	6,370 (72)	5,200 (73.6)	4,420 (74.4)
65	6,520 (68.4)	6,260 (70.5)	5,200 (72.2)	4,420 (73.1)
70	6,180 (66.6)	5,960 (68.8)	5,200 (70.7)	4,420 (71.7)
75	5,870 (64.4)	5,690 (67.2)	5,200 (69.2)	4,420 (70.3)
80	5,580 (62.1)	5,400 (65.2)	4,990 (67.7)	4,420 (68.8)
85	5,310 (59.8)	5,060 (63.2)	4,680 (65.9)	4,420 (67.3)
90	5,070 (57.4)	4,750 (61)	4,380 (64)	4,200 (65.5)
95	4,830 (54.9)	4,450 (58.8)	4,100 (62.1)	3,930 (63.7)
100	4,480 (52.4)	4,170 (56.6)	3,840 (60)	3,670 (61.8)
105	3,940 (49.7)	3,820 (54.3)	3,600 (58)	3,430 (59.8)
110	3,460 (46.9)	3,340 (51.9)	3,220 (55.9)	3,070 (57.8)
115	3,020 (44)	2,900 (49.4)	2,790 (53.7)	2,690 (55.7)
120	2,630 (40.8)	2,510 (46.7)	2,390 (51.4)	2,290 (53.6)
125	2,270 (36.3)	2,150 (44)	2,030 (49.1)	1,930 (51.4)
130	1,950 (31.5)	1,820 (40.9)	1,700 (46.6)	1,600 (49.2)
135	1,650 (26.2)	1,520 (36.8)	1,400 (44)	1,300 (46.8)
140	1,390 (20)	1,250 (32.3)	1,120 (41.2)	1,020 (44.3)
145	1,150 (11.7)	990 (27.4)	870 (37.2)	770 (41.6)
150		770 (21.8)	630 (33)	530 (37.8)
155		560 (14.9)		
Min. boom angle for indicated length (no load)	10.7°	13.9°	32°	36.8°
Max. boom length at 0° boom angle (no load)	47.6 ft.	47.6 ft.	47.6 ft.	47.6 ft.

#RCL operating code. Refer to Operator's Manual for operating instructions. 80131256\_0

NOTE: ( ) Boom angles are in degrees.

**BOOM EXTENSION CAPACITY NOTES:**

- 36 ft. extension length may be used for single line lifting service only.
- For boom angles not shown, use the rating of the next lower boom angle.  
**WARNING:** Operation of this machine with heavier loads than the capacities listed is strictly prohibited. Machine tipping with boom extension occurs rapidly and without advance warning.
- Boom angle is the angle above or below horizontal of the longitudinal axis of the boom base section after lifting rated load.
- Capacities listed are with outriggers properly extended and vertical jacks set only.

**RATED LIFTING CAPACITIES IN POUNDS  
36 FT. FIXED OFFSETABLE BOOM EXTENSION  
WITH 5,000 LB. COUNTERWEIGHT  
ON OUTRIGGERS FULLY EXTENDED - OVER REAR  
36 FT. EXTENSION AT 15° OFFSET ANGLE**

Radius in Feet	#6045			
	Main Boom Length in Feet			
	120-G	132-H	144-J	150.5
40	7,000 (79.5)			
45	6,730 (77.8)			
50	6,540 (76.2)	6,400 (77.6)		
55	6,360 (74.5)	6,150 (76.1)	5,590 (77.4)	4,940 (78)
60	6,100 (72.8)	5,880 (74.5)	5,590 (75.9)	4,940 (76.7)
65	5,810 (71)	5,620 (72.9)	5,370 (74.5)	4,940 (75.3)
70	5,550 (69.2)	5,380 (71.3)	5,160 (73)	4,940 (73.9)
75	5,300 (67.4)	5,150 (69.6)	4,960 (71.6)	4,840 (72.5)
80	5,070 (65.3)	4,930 (68)	4,760 (70)	4,660 (71.1)
85	4,860 (63)	4,730 (66.1)	4,580 (68.5)	4,480 (69.6)
90	4,660 (60.6)	4,550 (64)	4,400 (66.9)	4,250 (68.1)
95	4,480 (58.1)	4,370 (61.8)	4,150 (64.9)	3,980 (66.4)
100	4,310 (55.6)	4,200 (59.5)	3,890 (62.9)	3,730 (64.5)
105	4,150 (52.9)	3,950 (57.2)	3,650 (60.8)	3,500 (62.5)
110	3,760 (50.1)	3,670 (54.8)	3,420 (58.7)	3,270 (60.5)
115	3,290 (47.1)	3,200 (52.3)	3,120 (56.5)	2,940 (58.4)
120	2,860 (43.9)	2,780 (49.7)	2,690 (54.2)	2,610 (56.3)
125	2,470 (40.3)	2,390 (46.9)	2,300 (51.8)	2,220 (54.1)
130	2,120 (35.2)	2,040 (43.9)	1,950 (49.3)	1,870 (51.8)
135	1,790 (29.6)	1,710 (40.5)	1,620 (46.7)	1,540 (49.4)
140	1,490 (23)	1,410 (35.8)	1,320 (43.9)	1,240 (46.9)
145		1,130 (30.6)	1,050 (40.7)	970 (44.2)
150		870 (24.7)	790 (36.3)	710 (41.1)
155		630 (17.3)	550 (31.5)	
Min. boom angle for indicated length (no load)	16.3°	16.3°	30.5°	40.1°
Max. boom length at 0° boom angle (no load)	47.6 ft.	47.6 ft.	47.6 ft.	47.6 ft.

#RCL operating code. Refer to Operator's Manual for operating instructions. 80131256\_15

NOTE: ( ) Boom angles are in degrees.

**BOOM EXTENSION CAPACITY NOTES:**

- 36 ft. extension length may be used for single line lifting service only.
- For boom angles not shown, use the rating of the next lower boom angle.  
**WARNING:** Operation of this machine with heavier loads than the capacities listed is strictly prohibited. Machine tipping with boom extension occurs rapidly and without advance warning.
- Boom angle is the angle above or below horizontal of the longitudinal axis of the boom base section after lifting rated load.
- Capacities listed are with outriggers properly extended and vertical jacks set only.

**RATED LIFTING CAPACITIES IN POUNDS  
36 FT. FIXED OFFSETABLE BOOM EXTENSION  
WITH 5,000 LB. COUNTERWEIGHT  
ON OUTRIGGERS FULLY EXTENDED - OVER REAR  
36 FT. EXTENSION AT 30° OFFSET ANGLE**

Radius in Feet	#6050			
	Main Boom Length in Feet			
	120-G	132-H	144-J	150.5
50	5,660 (78.6)			
55	5,530 (76.9)	5,440 (78.2)		
60	5,420 (75.1)	5,350 (76.6)	5,190 (78)	
65	5,320 (73.3)	5,190 (75)	5,000 (76.5)	4,870 (77.2)
70	5,140 (71.5)	4,990 (73.4)	4,810 (75)	4,700 (75.8)
75	4,940 (69.6)	4,800 (71.7)	4,640 (73.5)	4,540 (74.3)
80	4,760 (67.7)	4,630 (70)	4,470 (72)	4,380 (72.9)
85	4,580 (65.5)	4,460 (68.2)	4,320 (70.4)	4,230 (71.4)
90	4,420 (63.1)	4,310 (66.4)	4,170 (68.8)	4,090 (69.9)
95	4,270 (60.6)	4,160 (64.1)	4,030 (67.1)	3,960 (68.3)
100	4,130 (57.9)	4,020 (61.8)	3,900 (65)	3,820 (66.6)
105	4,010 (55.2)	3,900 (59.4)	3,730 (62.9)	3,580 (64.6)
110	3,890 (52.2)	3,780 (56.9)	3,500 (60.7)	3,360 (62.5)
115	3,480 (49.2)	3,440 (54.3)	3,280 (58.5)	3,100 (60.4)
120	3,030 (45.8)	2,980 (51.6)	2,930 (56.1)	2,760 (58.2)
125	2,610 (42.2)	2,570 (48.7)	2,510 (53.7)	2,450 (56)
130	2,220 (37)	2,180 (45.6)	2,130 (51.1)	2,070 (53.6)
135		1,830 (42.3)	1,780 (48.4)	1,720 (51.1)
140		1,500 (37.4)	1,460 (45.5)	1,400 (48.5)
145			1,160 (42.4)	1,100 (45.7)
150			880 (37.8)	820 (42.7)
155				560 (38.4)
Min. boom angle for indicated length (no load)	36°	36.4°	36.8°	37.4°
Max. boom length at 0° boom angle (no load)	47.6 ft.	47.6 ft.	47.6 ft.	47.6 ft.

#RCL operating code. Refer to Operator's Manual for operating instructions. 80131256\_30

NOTE: ( ) Boom angles are in degrees.

**BOOM EXTENSION CAPACITY NOTES:**

- 36 ft. extension length may be used for single line lifting service only.
- For boom angles not shown, use the rating of the next lower boom angle.  
**WARNING:** Operation of this machine with heavier loads than the capacities listed is strictly prohibited. Machine tipping with boom extension occurs rapidly and without advance warning.
- Boom angle is the angle above or below horizontal of the longitudinal axis of the boom base section after lifting rated load.
- Capacities listed are with outriggers properly extended and vertical jacks set only.

**RATED LIFTING CAPACITIES IN POUNDS**  
**37 FT. - 151 FT. BOOM**  
**WITH 5,000 LB. COUNTERWEIGHT**  
**ON OUTRIGGERS 50% EXTENDED - 360°**

Radius in Feet	#6401										
	Main Boom Length in Feet										
	36.8	48-A	60-B	72-C	84-D	96-E	108-F	120-G	132-H	144-J	150.5
6	120,000 (74.1)	49,600 (78.5)									
8	107,000 (70.9)	49,600 (76.2)	49,600 (79.5)								
10	95,000 (67.6)	49,600 (73.9)	49,600 (77.7)								
12	83,950 (63.8)	49,600 (71.5)	49,600 (75.9)	49,600 (78.7)							
15	58,100 (57.8)	49,600 (67.8)	49,600 (73.1)	46,700 (76.5)	39,700 (78.9)						
20	34,150 (46.4)	33,900 (60.5)	32,650 (68.3)	31,400 (72.7)	30,150 (75.7)	28,950 (77.8)	23,550 (79.7)				
25	21,650 (30)	22,650 (52.4)	22,900 (62.7)	22,250 (68.7)	21,550 (72.5)	20,900 (75.1)	20,200 (77.3)	18,600 (79)			
30		15,850 (43.1)	16,350 (56.6)	16,600 (64.3)	16,150 (69.1)	15,750 (72.3)	15,350 (74.9)	14,900 (76.8)	14,500 (78.4)	11,300 (79.7)	
35		11,350 (29.8)	12,000 (49.8)	12,300 (59.3)	12,450 (65.5)	12,200 (69.4)	11,900 (72.4)	11,600 (74.6)	11,350 (76.5)	11,050 (78)	10,050 (78.8)
40			9,030 (42.1)	9,350 (53.9)	9,540 (61.2)	9,610 (66.4)	9,400 (69.8)	9,200 (72.4)	8,990 (74.5)	8,770 (76.2)	8,580 (77.1)
45			6,750 (31.5)	7,140 (48.1)	7,310 (56.8)	7,450 (62.8)	7,460 (67.1)	7,310 (70.1)	7,160 (72.5)	6,990 (74.4)	6,830 (75.4)
50			5,020 (15.9)	5,430 (41.6)	5,620 (52.1)	5,750 (59)	5,830 (64)	5,810 (67.8)	5,700 (70.4)	5,560 (72.6)	5,420 (73.6)
55				4,050 (32.7)	4,280 (47)	4,410 (55)	4,490 (60.7)	4,560 (65)	4,500 (68.3)	4,390 (70.7)	4,270 (71.8)
60				2,940 (21)	3,180 (41.3)	3,340 (50.7)	3,410 (57.2)	3,480 (62.1)	3,510 (65.9)	3,420 (68.8)	3,310 (70)
65					2,270 (33.6)	2,450 (46.2)	2,520 (53.6)	2,580 (59.1)	2,630 (63.3)	2,600 (66.7)	2,500 (68.1)
70					1,500 (24.1)	1,680 (41.2)	1,770 (49.7)	1,830 (55.9)	1,880 (60.6)	1,890 (64.3)	1,800 (66)
75					860 (8.3)	1,020 (34.3)	1,140 (45.6)	1,200 (52.6)	1,240 (57.7)	1,260 (61.8)	1,200 (63.7)
80							570 (41.1)	650 (49.1)	690 (54.8)	710 (59.3)	670 (61.3)
Min. boom angle for indicated length (no load)						33.3°	40.1°	48.1°	53.8°	58.3°	60.3°
Max. boom length at 0° boom angle (no load)						83.6 ft.					

#RCL operating code. Refer to Operator's Manual for operating instructions.

NOTE: ( ) Boom angles are in degrees.

Boom Angle	Main Boom Length in Feet										
	36.8	48-A	60-B	72-C	84-D	96-E	108-F	120-G	132-H	144-J	150.5
0°	14,400 (28.3)	8,590 (39.5)	4,580 (51.5)	2,300 (63.5)	810 (75.5)						

NOTE: ( ) Reference radii in feet.

Rated Load Reductions from main boom capacity when lifting over main boom nose with:										
36' lattice	4,300	2,800	2,650	2,500	2,300	2,300	2,300	2,300	2,300	2,250

80131223

**RATED LIFTING CAPACITIES IN POUNDS  
36 FT. FIXED OFFSETABLE BOOM EXTENSION  
WITH 5,000 LB. COUNTERWEIGHT  
ON OUTRIGGERS 50% EXTENDED - 360°  
36 FT. EXTENSION AT 0° OFFSET ANGLE**

Radius in Feet	#6415			
	Main Boom Length in Feet			
	120-G	132-H	144-J	150.5
30	7,720 (80)			
35	7,720 (78.4)	6,370 (79.6)		
40	7,720 (76.8)	6,370 (78.1)	5,200 (79.2)	4,420 (79.8)
45	7,620 (75.2)	6,370 (76.6)	5,200 (77.8)	4,420 (78.5)
50	6,220 (73.5)	5,930 (75.1)	5,200 (76.4)	4,420 (77.1)
55	5,070 (71.8)	4,810 (73.6)	4,560 (75)	4,380 (75.8)
60	4,110 (70.1)	3,870 (72)	3,640 (73.6)	3,470 (74.4)
65	3,300 (68.4)	3,080 (70.5)	2,860 (72.2)	2,710 (73.1)
70	2,590 (66.6)	2,400 (68.8)	2,190 (70.7)	2,040 (71.7)
75	1,950 (64.4)	1,800 (67.2)	1,610 (69.2)	1,470 (70.3)
80	1,390 (62.1)	1,280 (65.2)	1,100 (67.7)	960 (68.8)
85	910 (59.8)	800 (63.2)	650 (65.9)	510 (67.3)
Min. boom angle for indicated length (no load)	58.8°	62.2°	64.9°	66.3°
Max. boom length at 0° boom angle (no load)	47.6 ft.	47.6 ft.	47.6 ft.	47.6 ft.

#RCL operating code. Refer to Operator's Manual for operating instructions. 80131258\_0

NOTE: ( ) Boom angles are in degrees.

**BOOM EXTENSION CAPACITY NOTES:**

1. 36 ft. extension length may be used for single line lifting service only.
2. For boom angles not shown, use the rating of the next lower boom angle.  
  
**WARNING:** Operation of this machine with heavier loads than the capacities listed is strictly prohibited. Machine tipping with boom extension occurs rapidly and without advance warning.
3. Boom angle is the angle above or below horizontal of the longitudinal axis of the boom base section after lifting rated load.
4. Capacities listed are with outriggers properly extended and vertical jacks set only.

**RATED LIFTING CAPACITIES IN POUNDS**  
**36 FT. FIXED OFFSETABLE BOOM EXTENSION**  
**WITH 5,000 LB. COUNTERWEIGHT**  
**ON OUTRIGGERS 50% EXTENDED - 360°**  
**36 FT. EXTENSION AT 15° OFFSET ANGLE**

Radius in Feet	#6420			
	Main Boom Length in Feet			
	120-G	132-H	144-J	150.5
40	7,000 (79.5)			
45	6,730 (77.8)			
50	6,540 (76.2)	6,400 (77.6)		
55	5,980 (74.5)	5,730 (76.1)	5,490 (77.4)	4,940 (78)
60	4,930 (72.8)	4,710 (74.5)	4,490 (75.9)	4,330 (76.7)
65	4,040 (71)	3,830 (72.9)	3,630 (74.5)	3,490 (75.3)
70	3,260 (69.2)	3,080 (71.3)	2,900 (73)	2,760 (73.9)
75	2,550 (67.4)	2,430 (69.6)	2,260 (71.6)	2,130 (72.5)
80	1,940 (65.3)	1,850 (68)	1,690 (70)	1,570 (71.1)
85	1,410 (63)	1,320 (66.1)	1,200 (68.5)	1,070 (69.6)
90	940 (60.6)	850 (64)	750 (66.9)	630 (68.1)
95	530 (58.1)			
Min. boom angle for indicated length (no load)	57.1°	63°	65.9°	67.1°
Max. boom length at 0° boom angle (no load)	47.6 ft.	47.6 ft.	47.6 ft.	47.6 ft.

#RCL operating code. Refer to Operator's Manual for operating instructions. 80131258\_15

NOTE: ( ) Boom angles are in degrees.

**BOOM EXTENSION CAPACITY NOTES:**

1. 36 ft. extension length may be used for single line lifting service only.
2. For boom angles not shown, use the rating of the next lower boom angle.  
  
**WARNING:** Operation of this machine with heavier loads than the capacities listed is strictly prohibited. Machine tipping with boom extension occurs rapidly and without advance warning.
3. Boom angle is the angle above or below horizontal of the longitudinal axis of the boom base section after lifting rated load.
4. Capacities listed are with outriggers properly extended and vertical jacks set only.

**RATED LIFTING CAPACITIES IN POUNDS  
36 FT. FIXED OFFSETABLE BOOM EXTENSION  
WITH 5,000 LB. COUNTERWEIGHT  
ON OUTRIGGERS 50% EXTENDED - 360°  
36 FT. EXTENSION AT 30° OFFSET ANGLE**

Radius in Feet	#6425			
	Main Boom Length in Feet			
	120-G	132-H	144-J	150.5
50	5,660 (78.6)			
55	5,530 (76.9)	5,440 (78.2)		
60	5,420 (75.1)	5,350 (76.6)	5,190 (78)	
65	4,700 (73.3)	4,520 (75)	4,330 (76.5)	4,200 (77.2)
70	3,840 (71.5)	3,700 (73.4)	3,530 (75)	3,400 (75.8)
75	3,070 (69.6)	2,990 (71.7)	2,830 (73.5)	2,710 (74.3)
80	2,410 (67.7)	2,350 (70)	2,220 (72)	2,100 (72.9)
85	1,830 (65.5)	1,770 (68.2)	1,670 (70.4)	1,560 (71.4)
90	1,320 (63.1)	1,260 (66.4)	1,180 (68.8)	1,080 (69.9)
95	870 (60.6)	810 (64.1)	740 (67.1)	640 (68.3)
Min. boom angle for indicated length (no load)	59.6°	63.1°	66.1°	67.3°
Max. boom length at 0° boom angle (no load)	47.6 ft.	47.6 ft.	47.6 ft.	47.6 ft.

#RCL operating code. Refer to Operator's Manual for operating instructions. 80131258\_30

NOTE: ( ) Boom angles are in degrees.

**BOOM EXTENSION CAPACITY NOTES:**

1. 36 ft. extension length may be used for single line lifting service only.
2. For boom angles not shown, use the rating of the next lower boom angle.

**WARNING:** Operation of this machine with heavier loads than the capacities listed is strictly prohibited. Machine tipping with boom extension occurs rapidly and without advance warning.

3. Boom angle is the angle above or below horizontal of the longitudinal axis of the boom base section after lifting rated load.
4. Capacities listed are with outriggers properly extended and vertical jacks set only.

**RATED LIFTING CAPACITIES IN POUNDS**  
**37 FT. - 151 FT. BOOM**  
**WITH 5,000 LB. COUNTERWEIGHT**  
**ON OUTRIGGERS 0% EXTENDED - 360°**

Radius in Feet	#6801						
	Main Boom Length in Feet						
	36.8	48-A	60-B	72-C	84-D	96-E	108-F
6	75,100 (74.1)	49,600 (78.5)					
8	49,450 (70.9)	45,600 (76.2)	41,900 (79.5)				
10	35,800 (67.6)	33,800 (73.9)	31,700 (77.7)				
12	27,350 (63.8)	26,250 (71.5)	24,950 (75.9)	23,650 (78.7)			
15	19,200 (57.8)	18,900 (67.8)	18,250 (73.1)	17,550 (76.5)	16,750 (78.9)		
20	11,350 (46.4)	11,750 (60.5)	11,600 (68.3)	11,300 (72.7)	10,950 (75.7)	10,550 (77.8)	10,150 (79.7)
25	6,530 (30)	7,430 (52.4)	7,640 (62.7)	7,560 (68.7)	7,370 (72.5)	7,170 (75.1)	6,920 (77.3)
30		4,550 (43.1)	4,940 (56.6)	5,020 (64.3)	4,940 (69.1)	4,840 (72.3)	4,680 (74.9)
35		2,460 (29.8)	2,980 (49.8)	3,180 (59.3)	3,180 (65.5)	3,140 (69.4)	3,050 (72.4)
40			1,530 (42.1)	1,760 (53.9)	1,860 (61.2)	1,850 (66.4)	1,800 (69.8)
45				650 (48.1)	770 (56.8)	840 (62.8)	810 (67.1)
Min. boom angle for indicated length (no load)			41.1°	47.1°	55.8°	61.8°	66.1°
Max. boom length at 0° boom angle (no load)			47.6 ft.				

#RCL operating code. Refer to Operator's Manual for operating instructions.

NOTE: ( ) Boom angles are in degrees.

Boom Angle	Main Boom Length in Feet						
	36.8	48-A	60-B	72-C	84-D	96-E	108-F
0°	4,390 (28.3)	1,080 (39.5)					

NOTE: ( ) Reference radii in feet.

Rated Load Reductions from main boom capacity when lifting over main boom nose with:							
36' lattice	6,400	3,650	3,450	2,300	2,300	2,300	2,300

80131224



**RATED LIFTING CAPACITIES IN POUNDS**  
**37 FT. - 151 FT. BOOM**  
**WITH 3,000 LB. COUNTERWEIGHT**  
**ON OUTRIGGERS FULLY EXTENDED - 360°**

Radius in Feet	#7001										
	Main Boom Length in Feet										
	36.8	48-A	60-B	72-C	84-D	96-E	108-F	120-G	132-H	144-J	150.5
6	115,500 (74.1)	49,600 (78.5)									
8	99,700 (70.9)	49,600 (76.2)	49,600 (79.5)								
10	87,100 (67.6)	49,600 (73.9)	49,600 (77.7)								
12	77,100 (63.8)	49,600 (71.5)	49,600 (75.9)	49,600 (78.7)							
15	65,450 (57.8)	49,600 (67.8)	49,600 (73.1)	46,700 (76.5)	39,700 (78.9)						
20	51,650 (46.4)	49,600 (60.5)	49,600 (68.3)	42,050 (72.7)	36,100 (75.7)	30,250 (77.8)	23,550 (79.7)				
25	37,450 (30)	40,000 (52.4)	40,750 (62.7)	38,150 (68.7)	32,950 (72.5)	27,400 (75.1)	21,150 (77.3)	18,600 (79)			
30		31,050 (43.1)	31,850 (56.6)	32,250 (64.3)	30,250 (69.1)	24,700 (72.3)	19,100 (74.9)	16,950 (76.8)	14,500 (78.4)	11,300 (79.7)	
35		24,400 (29.8)	25,200 (49.8)	25,550 (59.3)	25,800 (65.5)	22,350 (69.4)	17,250 (72.4)	15,450 (74.6)	13,900 (76.5)	11,300 (78)	10,050 (78.8)
40			19,450 (42.1)	19,800 (53.9)	20,050 (61.2)	20,200 (66.4)	15,700 (69.8)	14,150 (72.4)	12,800 (74.5)	11,300 (76.2)	10,050 (77.1)
45			15,450 (31.5)	15,800 (48.1)	16,000 (56.8)	16,150 (62.8)	14,350 (67.1)	12,950 (70.1)	11,750 (72.5)	10,700 (74.4)	10,050 (75.4)
50			12,550 (15.9)	12,800 (41.6)	13,000 (52.1)	13,150 (59)	13,200 (64)	11,900 (67.8)	10,850 (70.4)	9,930 (72.6)	9,470 (73.6)
55				10,550 (32.7)	10,750 (47)	10,900 (55)	11,000 (60.7)	11,000 (65)	10,000 (68.3)	9,200 (70.7)	8,780 (71.8)
60				8,790 (21)	8,960 (41.3)	9,100 (50.7)	9,190 (57.2)	9,280 (62.1)	9,300 (65.9)	8,540 (68.8)	8,160 (70)
65					7,490 (33.6)	7,630 (46.2)	7,710 (53.6)	7,790 (59.1)	7,850 (63.3)	7,880 (66.7)	7,590 (68.1)
70					6,280 (24.1)	6,410 (41.2)	6,490 (49.7)	6,570 (55.9)	6,620 (60.6)	6,650 (64.3)	6,610 (66)
75					5,270 (8.3)	5,380 (34.3)	5,460 (45.6)	5,530 (52.6)	5,590 (57.7)	5,620 (61.8)	5,580 (63.7)
80						4,510 (26.3)	4,590 (41.1)	4,650 (49.1)	4,710 (54.8)	4,740 (59.3)	4,700 (61.3)
85						3,770 (15.3)	3,830 (35)	3,900 (45.3)	3,950 (51.7)	3,970 (56.7)	3,940 (58.8)
90							3,070 (27.9)	3,240 (41.2)	3,290 (48.5)	3,310 (53.9)	3,270 (56.3)
95							2,380 (19)	2,660 (35.6)	2,710 (45)	2,730 (51.1)	2,690 (53.7)
100								2,060 (29.3)	2,190 (41.2)	2,220 (48)	2,180 (50.9)
105								1,520 (21.7)	1,720 (36.1)	1,760 (44.8)	1,720 (48)
110								1,040 (10.7)	1,300 (30.3)	1,350 (41.3)	1,310 (45)
115									930 (23.7)	980 (36.5)	940 (41.6)
120									600 (15.1)	640 (31.3)	600 (37)
Min. boom angle for indicated length (no load)								9.7°	14.1°	30.3°	36°
Max. boom length at 0° boom angle (no load)								107.6 ft.			

#RCL operating code. Refer to Operator's Manual for operating instructions.

NOTE: ( ) Boom angles are in degrees.

Boom Angle	Main Boom Length in Feet										
	36.8	48-A	60-B	72-C	84-D	96-E	108-F	120-G	132-H	144-J	150.5
0°	14,400 (28.3)	10,000 (39.5)	6,570 (51.5)	4,360 (63.5)	2,820 (75.5)	1,690 (87.5)	820 (99.5)				

NOTE: ( ) Reference radii in feet.

Rated Load Reductions from main boom capacity when lifting over main boom nose with:											
36' lattice	2,300	2,300	2,300	2,300	2,300	2,300	2,300	2,300	2,300	2,300	2,250

80131225

**RATED LIFTING CAPACITIES IN POUNDS  
36 FT. FIXED OFFSETABLE BOOM EXTENSION  
WITH 3,000 LB. COUNTERWEIGHT  
ON OUTRIGGERS FULLY EXTENDED - 360°  
36 FT. EXTENSION AT 0° OFFSET ANGLE**

Radius in Feet	#7015			
	Main Boom Length in Feet			
	120-G	132-H	144-J	150.5
30	7,720 (80)			
35	7,720 (78.4)	6,370 (79.6)		
40	7,720 (76.8)	6,370 (78.1)	5,200 (79.2)	4,420 (79.8)
45	7,720 (75.2)	6,370 (76.6)	5,200 (77.8)	4,420 (78.5)
50	7,670 (73.5)	6,370 (75.1)	5,200 (76.4)	4,420 (77.1)
55	7,260 (71.8)	6,370 (73.6)	5,200 (75)	4,420 (75.8)
60	6,880 (70.1)	6,370 (72)	5,200 (73.6)	4,420 (74.4)
65	6,520 (68.4)	6,260 (70.5)	5,200 (72.2)	4,420 (73.1)
70	6,180 (66.6)	5,960 (68.8)	5,200 (70.7)	4,420 (71.7)
75	5,870 (64.4)	5,690 (67.2)	5,200 (69.2)	4,420 (70.3)
80	5,580 (62.1)	5,400 (65.2)	4,990 (67.7)	4,420 (68.8)
85	5,310 (59.8)	5,060 (63.2)	4,680 (65.9)	4,420 (67.3)
90	4,680 (57.4)	4,560 (61)	4,380 (64)	4,200 (65.5)
95	4,050 (54.9)	3,930 (58.8)	3,810 (62.1)	3,720 (63.7)
100	3,500 (52.4)	3,380 (56.6)	3,260 (60)	3,160 (61.8)
105	3,000 (49.7)	2,880 (54.3)	2,760 (58)	2,670 (59.8)
110	2,560 (46.9)	2,440 (51.9)	2,320 (55.9)	2,220 (57.8)
115	2,160 (44)	2,040 (49.4)	1,920 (53.7)	1,820 (55.7)
120	1,800 (40.8)	1,680 (46.7)	1,560 (51.4)	1,460 (53.6)
125	1,480 (36.3)	1,350 (44)	1,230 (49.1)	1,130 (51.4)
130	1,180 (31.5)	1,050 (40.9)	930 (46.6)	830 (49.2)
135	910 (26.2)	770 (36.8)	650 (44)	550 (46.8)
140	660 (20)	520 (32.3)		
Min. boom angle for indicated length (no load)	19°	31.3°	43°	45.8°
Max. boom length at 0° boom angle (no load)	47.6 ft.	47.6 ft.	47.6 ft.	47.6 ft.

#RCL operating code. Refer to Operator's Manual for operating instructions. 80131259\_0

NOTE: ( ) Boom angles are in degrees.

**BOOM EXTENSION CAPACITY NOTES:**

1. 36 ft. extension length may be used for single line lifting service only.
2. For boom angles not shown, use the rating of the next lower boom angle.  
**WARNING:** Operation of this machine with heavier loads than the capacities listed is strictly prohibited. Machine tipping with boom extension occurs rapidly and without advance warning.
3. Boom angle is the angle above or below horizontal of the longitudinal axis of the boom base section after lifting rated load.
4. Capacities listed are with outriggers properly extended and vertical jacks set only.

**RATED LIFTING CAPACITIES IN POUNDS  
36 FT. FIXED OFFSETABLE BOOM EXTENSION  
WITH 3,000 LB. COUNTERWEIGHT  
ON OUTRIGGERS FULLY EXTENDED - 360°  
36 FT. EXTENSION AT 15° OFFSET ANGLE**

Radius in Feet	#7020			
	Main Boom Length in Feet			
	120-G	132-H	144-J	150.5
40	7,000 (79.5)			
45	6,730 (77.8)			
50	6,540 (76.2)	6,400 (77.6)		
55	6,360 (74.5)	6,150 (76.1)	5,590 (77.4)	4,940 (78)
60	6,100 (72.8)	5,880 (74.5)	5,590 (75.9)	4,940 (76.7)
65	5,810 (71)	5,620 (72.9)	5,370 (74.5)	4,940 (75.3)
70	5,550 (69.2)	5,380 (71.3)	5,160 (73)	4,940 (73.9)
75	5,300 (67.4)	5,150 (69.6)	4,960 (71.6)	4,840 (72.5)
80	5,070 (65.3)	4,930 (68)	4,760 (70)	4,660 (71.1)
85	4,860 (63)	4,730 (66.1)	4,580 (68.5)	4,480 (69.6)
90	4,660 (60.6)	4,550 (64)	4,400 (66.9)	4,250 (68.1)
95	4,470 (58.1)	4,370 (61.8)	4,150 (64.9)	3,980 (66.4)
100	3,870 (55.6)	3,780 (59.5)	3,690 (62.9)	3,610 (64.5)
105	3,340 (52.9)	3,250 (57.2)	3,160 (60.8)	3,080 (62.5)
110	2,860 (50.1)	2,770 (54.8)	2,690 (58.7)	2,600 (60.5)
115	2,430 (47.1)	2,340 (52.3)	2,250 (56.5)	2,170 (58.4)
120	2,040 (43.9)	1,950 (49.7)	1,860 (54.2)	1,780 (56.3)
125	1,680 (40.3)	1,600 (46.9)	1,510 (51.8)	1,430 (54.1)
130	1,350 (35.2)	1,270 (43.9)	1,180 (49.3)	1,100 (51.8)
135	1,050 (29.6)	970 (40.5)	880 (46.7)	800 (49.4)
140	770 (23)	690 (35.8)	600 (43.9)	520 (46.9)
Min. boom angle for indicated length (no load)	22°	34.8°	42.9°	45.9°
Max. boom length at 0° boom angle (no load)	47.6 ft.	47.6 ft.	47.6 ft.	47.6 ft.

#RCL operating code. Refer to Operator's Manual for operating instructions. 80131259\_15

NOTE: ( ) Boom angles are in degrees.

**BOOM EXTENSION CAPACITY NOTES:**

- 36 ft. extension length may be used for single line lifting service only.
- For boom angles not shown, use the rating of the next lower boom angle.  
**WARNING:** Operation of this machine with heavier loads than the capacities listed is strictly prohibited. Machine tipping with boom extension occurs rapidly and without advance warning.
- Boom angle is the angle above or below horizontal of the longitudinal axis of the boom base section after lifting rated load.
- Capacities listed are with outriggers properly extended and vertical jacks set only.

**RATED LIFTING CAPACITIES IN POUNDS**  
**36 FT. FIXED OFFSETABLE BOOM EXTENSION**  
**WITH 3,000 LB. COUNTERWEIGHT**  
**ON OUTRIGGERS FULLY EXTENDED - 360°**  
**36 FT. EXTENSION AT 30° OFFSET ANGLE**

Radius in Feet	#7025			
	Main Boom Length in Feet			
	120-G	132-H	144-J	150.5
50	5,660 (78.6)			
55	5,530 (76.9)	5,440 (78.2)		
60	5,420 (75.1)	5,350 (76.6)	5,190 (78)	
65	5,320 (73.3)	5,190 (75)	5,000 (76.5)	4,870 (77.2)
70	5,140 (71.5)	4,990 (73.4)	4,810 (75)	4,700 (75.8)
75	4,940 (69.6)	4,800 (71.7)	4,640 (73.5)	4,540 (74.3)
80	4,760 (67.7)	4,630 (70)	4,470 (72)	4,380 (72.9)
85	4,580 (65.5)	4,460 (68.2)	4,320 (70.4)	4,230 (71.4)
90	4,420 (63.1)	4,310 (66.4)	4,170 (68.8)	4,090 (69.9)
95	4,270 (60.6)	4,160 (64.1)	4,030 (67.1)	3,960 (68.3)
100	4,130 (57.9)	4,020 (61.8)	3,900 (65)	3,820 (66.6)
105	3,610 (55.2)	3,550 (59.4)	3,490 (62.9)	3,420 (64.6)
110	3,100 (52.2)	3,040 (56.9)	2,980 (60.7)	2,910 (62.5)
115	2,630 (49.2)	2,580 (54.3)	2,520 (58.5)	2,450 (60.4)
120	2,200 (45.8)	2,160 (51.6)	2,100 (56.1)	2,040 (58.2)
125	1,810 (42.2)	1,770 (48.7)	1,720 (53.7)	1,660 (56)
130	1,450 (37)	1,420 (45.6)	1,370 (51.1)	1,310 (53.6)
135		1,090 (42.3)	1,050 (48.4)	980 (51.1)
140		780 (37.4)	740 (45.5)	680 (48.5)
Min. boom angle for indicated length (no load)	36°	36.4°	44.5°	47.5°
Max. boom length at 0° boom angle (no load)	47.6 ft.	47.6 ft.	47.6 ft.	47.6 ft.

#RCL operating code. Refer to Operator's Manual for operating instructions. 80131259\_30

NOTE: ( ) Boom angles are in degrees.

**BOOM EXTENSION CAPACITY NOTES:**

1. 36 ft. extension length may be used for single line lifting service only.
2. For boom angles not shown, use the rating of the next lower boom angle.  
  
**WARNING:** Operation of this machine with heavier loads than the capacities listed is strictly prohibited. Machine tipping with boom extension occurs rapidly and without advance warning.
3. Boom angle is the angle above or below horizontal of the longitudinal axis of the boom base section after lifting rated load.
4. Capacities listed are with outriggers properly extended and vertical jacks set only.

**RATED LIFTING CAPACITIES IN POUNDS**  
**37 FT. - 151 FT. BOOM**  
**WITH 3,000 LB. COUNTERWEIGHT**  
**ON OUTRIGGERS FULLY EXTENDED - OVER REAR**

Radius in Feet	#7026										
	Main Boom Length in Feet										
	36.8	48-A	60-B	72-C	84-D	96-E	108-F	120-G	132-H	144-J	150.5
6	120,000 (74.1)	49,600 (78.5)									
8	107,000 (70.9)	49,600 (76.2)	49,600 (79.5)								
10	95,650 (67.6)	49,600 (73.9)	49,600 (77.7)								
12	85,850 (63.8)	49,600 (71.5)	49,600 (75.9)	49,600 (78.7)							
15	74,100 (57.8)	49,600 (67.8)	49,600 (73.1)	46,700 (76.5)	39,700 (78.9)						
20	56,300 (46.4)	49,600 (60.5)	49,600 (68.3)	42,050 (72.7)	36,100 (75.7)	30,250 (77.8)	23,550 (79.7)				
25	37,450 (30)	43,450 (52.4)	44,000 (62.7)	38,150 (68.7)	32,950 (72.5)	27,400 (75.1)	21,150 (77.3)	18,600 (79)			
30		34,450 (43.1)	35,000 (56.6)	34,950 (64.3)	30,250 (69.1)	24,700 (72.3)	19,100 (74.9)	16,950 (76.8)	14,500 (78.4)	11,300 (79.7)	
35		27,400 (29.8)	28,350 (49.8)	28,650 (59.3)	27,950 (65.5)	22,350 (69.4)	17,250 (72.4)	15,450 (74.6)	13,900 (76.5)	11,300 (78)	10,050 (78.8)
40			22,400 (42.1)	22,650 (53.9)	22,800 (61.2)	20,300 (66.4)	15,700 (69.8)	14,150 (72.4)	12,800 (74.5)	11,300 (76.2)	10,050 (77.1)
45			18,200 (31.5)	18,450 (48.1)	18,600 (56.8)	18,600 (62.8)	14,350 (67.1)	12,950 (70.1)	11,750 (72.5)	10,700 (74.4)	10,050 (75.4)
50			13,100 (15.9)	15,250 (41.6)	15,400 (52.1)	15,550 (59)	13,200 (64)	11,900 (67.8)	10,850 (70.4)	9,930 (72.6)	9,470 (73.6)
55				12,800 (32.7)	12,950 (47)	13,050 (55)	12,150 (60.7)	11,000 (65)	10,000 (68.3)	9,200 (70.7)	8,780 (71.8)
60				10,850 (21)	11,050 (41.3)	11,150 (50.7)	11,250 (57.2)	10,150 (62.1)	9,300 (65.9)	8,540 (68.8)	8,160 (70)
65					9,430 (33.6)	9,550 (46.2)	9,630 (53.6)	9,460 (59.1)	8,640 (63.3)	7,940 (66.7)	7,590 (68.1)
70					8,090 (24.1)	8,200 (41.2)	8,270 (49.7)	8,330 (55.9)	8,030 (60.6)	7,380 (64.3)	7,070 (66)
75					5,400 (8.3)	7,060 (34.3)	7,130 (45.6)	7,190 (52.6)	7,230 (57.7)	6,840 (61.8)	6,550 (63.7)
80						6,090 (26.3)	6,150 (41.1)	6,210 (49.1)	6,250 (54.8)	6,260 (59.3)	5,980 (61.3)
85						5,240 (15.3)	5,310 (35)	5,360 (45.3)	5,400 (51.7)	5,420 (56.7)	5,380 (58.8)
90							4,570 (27.9)	4,620 (41.2)	4,660 (48.5)	4,680 (53.9)	4,630 (56.3)
95							3,920 (19)	3,970 (35.6)	4,010 (45)	4,020 (51.1)	3,980 (53.7)
100								3,400 (29.3)	3,430 (41.2)	3,440 (48)	3,400 (50.9)
105								2,880 (21.7)	2,920 (36.1)	2,930 (44.8)	2,880 (48)
110								2,420 (10.7)	2,450 (30.3)	2,460 (41.3)	2,420 (45)
115								2,040 (23.7)	2,040 (36.5)	2,040 (41.6)	2,000 (41.6)
120								1,650 (15.1)	1,670 (31.3)	1,620 (37)	1,620 (37)
125									1,320 (25.4)	1,270 (32.1)	1,270 (32.1)
130									1,000 (18.1)	960 (26.5)	960 (26.5)
135										670 (19.9)	670 (19.9)
Min. boom angle for indicated length (no load)								9.7°	14.1°	17.1°	18.9°
Max. boom length at 0° boom angle (no load)								107.6 ft.			

#RCL operating code. Refer to Operator's Manual for operating instructions.

NOTE: ( ) Boom angles are in degrees.

Boom Angle	Main Boom Length in Feet										
	36.8	48-A	60-B	72-C	84-D	96-E	108-F	120-G	132-H	144-J	150.5
0°	14,400 (28.3)	10,000 (39.5)	6,570 (51.5)	4,360 (63.5)	2,820 (75.5)	1,690 (87.5)	820 (99.5)				

NOTE: ( ) Reference radii in feet.

Rated Load Reductions from main boom capacity when lifting over main boom nose with:											
36' lattice	2,200	2,300	2,300	2,300	2,300	2,300	2,300	2,300	2,300	2,300	2,250

80131226

**RATED LIFTING CAPACITIES IN POUNDS  
36 FT. FIXED OFFSETABLE BOOM EXTENSION  
WITH 3,000 LB. COUNTERWEIGHT  
ON OUTRIGGERS FULLY EXTENDED - OVER REAR  
36 FT. EXTENSION AT 0° OFFSET ANGLE**

Radius in Feet	#7040			
	Main Boom Length in Feet			
	120-G	132-H	144-J	150.5
30	7,720 (80)			
35	7,720 (78.4)	6,370 (79.6)		
40	7,720 (76.8)	6,370 (78.1)	5,200 (79.2)	4,420 (79.8)
45	7,720 (75.2)	6,370 (76.6)	5,200 (77.8)	4,420 (78.5)
50	7,670 (73.5)	6,370 (75.1)	5,200 (76.4)	4,420 (77.1)
55	7,260 (71.8)	6,370 (73.6)	5,200 (75)	4,420 (75.8)
60	6,880 (70.1)	6,370 (72)	5,200 (73.6)	4,420 (74.4)
65	6,520 (68.4)	6,260 (70.5)	5,200 (72.2)	4,420 (73.1)
70	6,180 (66.6)	5,960 (68.8)	5,200 (70.7)	4,420 (71.7)
75	5,870 (64.4)	5,690 (67.2)	5,200 (69.2)	4,420 (70.3)
80	5,580 (62.1)	5,400 (65.2)	4,990 (67.7)	4,420 (68.8)
85	5,310 (59.8)	5,060 (63.2)	4,680 (65.9)	4,420 (67.3)
90	5,070 (57.4)	4,750 (61)	4,380 (64)	4,200 (65.5)
95	4,740 (54.9)	4,450 (58.8)	4,100 (62.1)	3,930 (63.7)
100	4,160 (52.4)	4,040 (56.6)	3,840 (60)	3,670 (61.8)
105	3,640 (49.7)	3,520 (54.3)	3,400 (58)	3,310 (59.8)
110	3,170 (46.9)	3,050 (51.9)	2,930 (55.9)	2,840 (57.8)
115	2,750 (44)	2,630 (49.4)	2,510 (53.7)	2,420 (55.7)
120	2,370 (40.8)	2,240 (46.7)	2,130 (51.4)	2,030 (53.6)
125	2,020 (36.3)	1,900 (44)	1,780 (49.1)	1,680 (51.4)
130	1,710 (31.5)	1,580 (40.9)	1,460 (46.6)	1,360 (49.2)
135	1,420 (26.2)	1,290 (36.8)	1,170 (44)	1,070 (46.8)
140	1,160 (20)	1,020 (32.3)	900 (41.2)	800 (44.3)
145	940 (11.7)	780 (27.4)	650 (37.2)	560 (41.6)
150		560 (21.8)		
Min. boom angle for indicated length (no load)	10.7°	20.8°	36.2°	40.6°
Max. boom length at 0° boom angle (no load)	47.6 ft.	47.6 ft.	47.6 ft.	47.6 ft.

#RCL operating code. Refer to Operator's Manual for operating instructions.

80131260\_0

NOTE: ( ) Boom angles are in degrees.

**BOOM EXTENSION CAPACITY NOTES:**

1. 36 ft. extension length may be used for single line lifting service only.
2. For boom angles not shown, use the rating of the next lower boom angle.

**WARNING:** Operation of this machine with heavier loads than the capacities listed is strictly prohibited. Machine tipping with boom extension occurs rapidly and without advance warning.

3. Boom angle is the angle above or below horizontal of the longitudinal axis of the boom base section after lifting rated load.
4. Capacities listed are with outriggers properly extended and vertical jacks set only.

**RATED LIFTING CAPACITIES IN POUNDS  
36 FT. FIXED OFFSETABLE BOOM EXTENSION  
WITH 3,000 LB. COUNTERWEIGHT  
ON OUTRIGGERS FULLY EXTENDED - OVER REAR  
36 FT. EXTENSION AT 15° OFFSET ANGLE**

Radius in Feet	#7045			
	Main Boom Length in Feet			
	120-G	132-H	144-J	150.5
40	7,000 (79.5)			
45	6,730 (77.8)			
50	6,540 (76.2)	6,400 (77.6)		
55	6,360 (74.5)	6,150 (76.1)	5,590 (77.4)	4,940 (78)
60	6,100 (72.8)	5,880 (74.5)	5,590 (75.9)	4,940 (76.7)
65	5,810 (71)	5,620 (72.9)	5,370 (74.5)	4,940 (75.3)
70	5,550 (69.2)	5,380 (71.3)	5,160 (73)	4,940 (73.9)
75	5,300 (67.4)	5,150 (69.6)	4,960 (71.6)	4,840 (72.5)
80	5,070 (65.3)	4,930 (68)	4,760 (70)	4,660 (71.1)
85	4,860 (63)	4,730 (66.1)	4,580 (68.5)	4,480 (69.6)
90	4,660 (60.6)	4,550 (64)	4,400 (66.9)	4,250 (68.1)
95	4,480 (58.1)	4,370 (61.8)	4,150 (64.9)	3,980 (66.4)
100	4,310 (55.6)	4,200 (59.5)	3,890 (62.9)	3,730 (64.5)
105	3,970 (52.9)	3,880 (57.2)	3,650 (60.8)	3,500 (62.5)
110	3,470 (50.1)	3,380 (54.8)	3,290 (58.7)	3,210 (60.5)
115	3,010 (47.1)	2,930 (52.3)	2,840 (56.5)	2,760 (58.4)
120	2,600 (43.9)	2,520 (49.7)	2,430 (54.2)	2,350 (56.3)
125	2,220 (40.3)	2,140 (46.9)	2,050 (51.8)	1,970 (54.1)
130	1,880 (35.2)	1,790 (43.9)	1,710 (49.3)	1,630 (51.8)
135	1,560 (29.6)	1,480 (40.5)	1,390 (46.7)	1,310 (49.4)
140	1,260 (23)	1,190 (35.8)	1,100 (43.9)	1,020 (46.9)
145		910 (30.6)	830 (40.7)	750 (44.2)
150		660 (24.7)	580 (36.3)	500 (41.1)
Min. boom angle for indicated length (no load)	22°	23.7°	35.3°	40.1°
Max. boom length at 0° boom angle (no load)	47.6 ft.	47.6 ft.	47.6 ft.	47.6 ft.

#RCL operating code. Refer to Operator's Manual for operating instructions. 80131260\_15

NOTE: ( ) Boom angles are in degrees.

**BOOM EXTENSION CAPACITY NOTES:**

1. 36 ft. extension length may be used for single line lifting service only.
2. For boom angles not shown, use the rating of the next lower boom angle.  
**WARNING:** Operation of this machine with heavier loads than the capacities listed is strictly prohibited. Machine tipping with boom extension occurs rapidly and without advance warning.
3. Boom angle is the angle above or below horizontal of the longitudinal axis of the boom base section after lifting rated load.
4. Capacities listed are with outriggers properly extended and vertical jacks set only.

**RATED LIFTING CAPACITIES IN POUNDS  
36 FT. FIXED OFFSETABLE BOOM EXTENSION  
WITH 3,000 LB. COUNTERWEIGHT  
ON OUTRIGGERS FULLY EXTENDED - OVER REAR  
36 FT. EXTENSION AT 30° OFFSET ANGLE**

Radius in Feet	#7050			
	Main Boom Length in Feet			
	120-G	132-H	144-J	150.5
50	5,660 (78.6)			
55	5,530 (76.9)	5,440 (78.2)		
60	5,420 (75.1)	5,350 (76.6)	5,190 (78)	
65	5,320 (73.3)	5,190 (75)	5,000 (76.5)	4,870 (77.2)
70	5,140 (71.5)	4,990 (73.4)	4,810 (75)	4,700 (75.8)
75	4,940 (69.6)	4,800 (71.7)	4,640 (73.5)	4,540 (74.3)
80	4,760 (67.7)	4,630 (70)	4,470 (72)	4,380 (72.9)
85	4,580 (65.5)	4,460 (68.2)	4,320 (70.4)	4,230 (71.4)
90	4,420 (63.1)	4,310 (66.4)	4,170 (68.8)	4,090 (69.9)
95	4,270 (60.6)	4,160 (64.1)	4,030 (67.1)	3,960 (68.3)
100	4,130 (57.9)	4,020 (61.8)	3,900 (65)	3,820 (66.6)
105	4,010 (55.2)	3,900 (59.4)	3,730 (62.9)	3,580 (64.6)
110	3,700 (52.2)	3,650 (56.9)	3,500 (60.7)	3,360 (62.5)
115	3,210 (49.2)	3,160 (54.3)	3,100 (58.5)	3,040 (60.4)
120	2,760 (45.8)	2,720 (51.6)	2,660 (56.1)	2,600 (58.2)
125	2,360 (42.2)	2,320 (48.7)	2,260 (53.7)	2,200 (56)
130	1,980 (37)	1,940 (45.6)	1,890 (51.1)	1,830 (53.6)
135		1,600 (42.3)	1,550 (48.4)	1,490 (51.1)
140		1,280 (37.4)	1,240 (45.5)	1,180 (48.5)
145			940 (42.4)	890 (45.7)
150			670 (37.8)	610 (42.7)
Min. boom angle for indicated length (no load)	36°	36.4°	36.8°	41.7°
Max. boom length at 0° boom angle (no load)	47.6 ft.	47.6 ft.	47.6 ft.	47.6 ft.

#RCL operating code. Refer to Operator's Manual for operating instructions. 80131260\_30

NOTE: ( ) Boom angles are in degrees.

**BOOM EXTENSION CAPACITY NOTES:**

1. 36 ft. extension length may be used for single line lifting service only.
2. For boom angles not shown, use the rating of the next lower boom angle.

**WARNING:** Operation of this machine with heavier loads than the capacities listed is strictly prohibited. Machine tipping with boom extension occurs rapidly and without advance warning.

3. Boom angle is the angle above or below horizontal of the longitudinal axis of the boom base section after lifting rated load.
4. Capacities listed are with outriggers properly extended and vertical jacks set only.



**RATED LIFTING CAPACITIES IN POUNDS**  
**37 FT. - 151 FT. BOOM**  
**WITH 3,000 LB. COUNTERWEIGHT**  
**ON OUTRIGGERS 50% EXTENDED - 360°**

Radius in Feet	#7401										
	Main Boom Length in Feet										
	36.8	48-A	60-B	72-C	84-D	96-E	108-F	120-G	132-H	144-J	150.5
6	120,000 (74.1)	49,600 (78.5)									
8	107,000 (70.9)	49,600 (76.2)	49,600 (79.5)								
10	94,650 (67.6)	49,600 (73.9)	49,600 (77.7)								
12	83,600 (63.8)	49,600 (71.5)	49,600 (75.9)	49,600 (78.7)							
15	54,950 (57.8)	49,600 (67.8)	48,750 (73.1)	45,950 (76.5)	39,700 (78.9)						
20	32,250 (46.4)	31,950 (60.5)	30,800 (68.3)	29,600 (72.7)	28,400 (75.7)	27,300 (77.8)	23,550 (79.7)				
25	20,250 (30)	21,350 (52.4)	21,450 (62.7)	20,900 (68.7)	20,250 (72.5)	19,600 (75.1)	18,950 (77.3)	18,350 (79)			
30		14,750 (43.1)	15,300 (56.6)	15,450 (64.3)	15,100 (69.1)	14,700 (72.3)	14,300 (74.9)	13,900 (76.8)	13,500 (78.4)	11,300 (79.7)	
35		10,500 (29.8)	11,150 (49.8)	11,400 (59.3)	11,550 (65.5)	11,300 (69.4)	11,000 (72.4)	10,750 (74.6)	10,500 (76.5)	10,200 (78)	9,990 (78.8)
40			8,280 (42.1)	8,610 (53.9)	8,790 (61.2)	8,820 (66.4)	8,630 (69.8)	8,440 (72.4)	8,250 (74.5)	8,030 (76.2)	7,850 (77.1)
45			6,100 (31.5)	6,490 (48.1)	6,670 (56.8)	6,810 (62.8)	6,770 (67.1)	6,640 (70.1)	6,500 (72.5)	6,330 (74.4)	6,180 (75.4)
50			4,450 (15.9)	4,860 (41.6)	5,050 (52.1)	5,180 (59)	5,260 (64)	5,210 (67.8)	5,100 (70.4)	4,970 (72.6)	4,840 (73.6)
55				3,540 (32.7)	3,780 (47)	3,910 (55)	3,980 (60.7)	4,040 (65)	3,960 (68.3)	3,860 (70.7)	3,740 (71.8)
60				2,480 (21)	2,720 (41.3)	2,880 (50.7)	2,950 (57.2)	3,020 (62.1)	3,010 (65.9)	2,930 (68.8)	2,820 (70)
65					1,850 (33.6)	2,030 (46.2)	2,100 (53.6)	2,160 (59.1)	2,210 (63.3)	2,140 (66.7)	2,050 (68.1)
70					1,110 (24.1)	1,290 (41.2)	1,390 (49.7)	1,450 (55.9)	1,490 (60.6)	1,470 (64.3)	1,380 (66)
75					500 (8.3)	660 (34.3)	780 (45.6)	840 (52.6)	880 (57.7)	890 (61.8)	800 (63.7)
Min. boom angle for indicated length (no load)					7.3°	33.3°	44.6°	51.6°	56.7°	60.8°	62.7°
Max. boom length at 0° boom angle (no load)					71.6 ft.						

#RCL operating code. Refer to Operator's Manual for operating instructions.

NOTE: ( ) Boom angles are in degrees.

Boom Angle	Main Boom Length in Feet										
	36.8	48-A	60-B	72-C	84-D	96-E	108-F	120-G	132-H	144-J	150.5
0°	14,400 (28.3)	7,830 (39.5)	4,040 (51.5)	1,870 (63.5)							

NOTE: ( ) Reference radii in feet.

Rated Load Reductions from main boom capacity when lifting over main boom nose with:											
36' lattice	4,300	2,800	2,650	2,500	2,300	2,300	2,300	2,300	2,300	2,300	2,250

80131228

**RATED LIFTING CAPACITIES IN POUNDS**  
**36 FT. FIXED OFFSETABLE BOOM EXTENSION**  
**WITH 3,000 LB. COUNTERWEIGHT**  
**ON OUTRIGGERS 50% EXTENDED - 360°**  
**36 FT. EXTENSION AT 0° OFFSET ANGLE**

Radius in Feet	#7415			
	Main Boom Length in Feet			
	120-G	132-H	144-J	150.5
30	7,720 (80)			
35	7,720 (78.4)	6,370 (79.6)		
40	7,720 (76.8)	6,370 (78.1)	5,200 (79.2)	4,420 (79.8)
45	6,980 (75.2)	6,370 (76.6)	5,200 (77.8)	4,420 (78.5)
50	5,640 (73.5)	5,360 (75.1)	5,080 (76.4)	4,420 (77.1)
55	4,540 (71.8)	4,290 (73.6)	4,040 (75)	3,860 (75.8)
60	3,630 (70.1)	3,390 (72)	3,170 (73.6)	3,000 (74.4)
65	2,850 (68.4)	2,630 (70.5)	2,420 (72.2)	2,270 (73.1)
70	2,190 (66.6)	1,980 (68.8)	1,780 (70.7)	1,640 (71.7)
75	1,590 (64.4)	1,420 (67.2)	1,230 (69.2)	1,090 (70.3)
80	1,060 (62.1)	920 (65.2)	740 (67.7)	600 (68.8)
85	600 (59.8)			
Min. boom angle for indicated length (no load)	58.8°	64.2°	66.7°	67.8°
Max. boom length at 0° boom angle (no load)	47.6 ft.	47.6 ft.	47.6 ft.	47.6 ft.

#RCL operating code. Refer to Operator's Manual for operating instructions. 80131262\_0

NOTE: ( ) Boom angles are in degrees.

**BOOM EXTENSION CAPACITY NOTES:**

1. 36 ft. extension length may be used for single line lifting service only.
2. For boom angles not shown, use the rating of the next lower boom angle.  
  
**WARNING:** Operation of this machine with heavier loads than the capacities listed is strictly prohibited. Machine tipping with boom extension occurs rapidly and without advance warning.
3. Boom angle is the angle above or below horizontal of the longitudinal axis of the boom base section after lifting rated load.
4. Capacities listed are with outriggers properly extended and vertical jacks set only.

**RATED LIFTING CAPACITIES IN POUNDS  
36 FT. FIXED OFFSETABLE BOOM EXTENSION  
WITH 3,000 LB. COUNTERWEIGHT  
ON OUTRIGGERS 50% EXTENDED - 360°  
36 FT. EXTENSION AT 15° OFFSET ANGLE**

Radius in Feet	#7420			
	Main Boom Length in Feet			
	120-G	132-H	144-J	150.5
40	7,000 (79.5)			
45	6,730 (77.8)			
50	6,540 (76.2)	6,380 (77.6)		
55	5,450 (74.5)	5,210 (76.1)	4,970 (77.4)	4,810 (78)
60	4,440 (72.8)	4,230 (74.5)	4,010 (75.9)	3,860 (76.7)
65	3,590 (71)	3,390 (72.9)	3,190 (74.5)	3,050 (75.3)
70	2,850 (69.2)	2,670 (71.3)	2,490 (73)	2,350 (73.9)
75	2,190 (67.4)	2,040 (69.6)	1,870 (71.6)	1,740 (72.5)
80	1,610 (65.3)	1,490 (68)	1,330 (70)	1,210 (71.1)
85	1,100 (63)	1,010 (66.1)	850 (68.5)	730 (69.6)
90	650 (60.6)	560 (64)		
Min. boom angle for indicated length (no load)	59.6°	63°	67.5°	68.6°
Max. boom length at 0° boom angle (no load)	47.6 ft.	47.6 ft.	47.6 ft.	47.6 ft.

#RCL operating code. Refer to Operator's Manual for operating instructions. 80131262\_15

NOTE: ( ) Boom angles are in degrees.

**BOOM EXTENSION CAPACITY NOTES:**

1. 36 ft. extension length may be used for single line lifting service only.
2. For boom angles not shown, use the rating of the next lower boom angle.

**WARNING:** Operation of this machine with heavier loads than the capacities listed is strictly prohibited. Machine tipping with boom extension occurs rapidly and without advance warning.

3. Boom angle is the angle above or below horizontal of the longitudinal axis of the boom base section after lifting rated load.
4. Capacities listed are with outriggers properly extended and vertical jacks set only.

**RATED LIFTING CAPACITIES IN POUNDS  
36 FT. FIXED OFFSETABLE BOOM EXTENSION  
WITH 3,000 LB. COUNTERWEIGHT  
ON OUTRIGGERS 50% EXTENDED - 360°  
36 FT. EXTENSION AT 30° OFFSET ANGLE**

Radius in Feet	#7425			
	Main Boom Length in Feet			
	120-G	132-H	144-J	150.5
50	5,660 (78.6)			
55	5,530 (76.9)	5,440 (78.2)		
60	5,180 (75.1)	4,980 (76.6)	4,790 (78)	
65	4,250 (73.3)	4,070 (75)	3,890 (76.5)	3,760 (77.2)
70	3,450 (71.5)	3,280 (73.4)	3,120 (75)	2,990 (75.8)
75	2,720 (69.6)	2,600 (71.7)	2,450 (73.5)	2,330 (74.3)
80	2,080 (67.7)	2,000 (70)	1,850 (72)	1,740 (72.9)
85	1,520 (65.5)	1,460 (68.2)	1,330 (70.4)	1,220 (71.4)
90	1,030 (63.1)	970 (66.4)	860 (68.8)	760 (69.9)
95	590 (60.6)	530 (64.1)		
Min. boom angle for indicated length (no load)	59.6°	63.1°	67.8°	68.9°
Max. boom length at 0° boom angle (no load)	47.6 ft.	47.6 ft.	47.6 ft.	47.6 ft.

#RCL operating code. Refer to Operator's Manual for operating instructions. 80131262\_30

NOTE: ( ) Boom angles are in degrees.

**BOOM EXTENSION CAPACITY NOTES:**

1. 36 ft. extension length may be used for single line lifting service only.
2. For boom angles not shown, use the rating of the next lower boom angle.

**WARNING:** Operation of this machine with heavier loads than the capacities listed is strictly prohibited. Machine tipping with boom extension occurs rapidly and without advance warning.

3. Boom angle is the angle above or below horizontal of the longitudinal axis of the boom base section after lifting rated load.
4. Capacities listed are with outriggers properly extended and vertical jacks set only.

**RATED LIFTING CAPACITIES IN POUNDS**  
**37 FT. - 151 FT. BOOM**  
**WITH 3,000 LB. COUNTERWEIGHT**  
**ON OUTRIGGERS 0% EXTENDED - 360°**

Radius in Feet	#7801							
	Main Boom Length in Feet							
	36.8	48-A	60-B	72-C	84-D	96-E	108-F	
6	70,000 (74.1)	49,600 (78.5)						
8	45,950 (70.9)	42,400 (76.2)	38,950 (79.5)					
10	33,100 (67.6)	31,300 (73.9)	29,350 (77.7)					
12	25,100 (63.8)	24,150 (71.5)	23,000 (75.9)	21,800 (78.7)				
15	17,500 (57.8)	17,250 (67.8)	16,700 (73.1)	16,050 (76.5)	15,300 (78.9)			
20	10,100 (46.4)	10,550 (60.5)	10,450 (68.3)	10,200 (72.7)	9,860 (75.7)	9,510 (77.8)	9,130 (79.7)	
25	5,640 (30)	6,460 (52.4)	6,710 (62.7)	6,650 (68.7)	6,480 (72.5)	6,300 (75.1)	6,080 (77.3)	
30		3,780 (43.1)	4,160 (56.6)	4,260 (64.3)	4,190 (69.1)	4,110 (72.3)	3,970 (74.9)	
35		1,860 (29.8)	2,310 (49.8)	2,530 (59.3)	2,540 (65.5)	2,510 (69.4)	2,430 (72.4)	
40			940 (42.1)	1,180 (53.9)	1,290 (61.2)	1,300 (66.4)	1,250 (69.8)	
Min. boom angle for indicated length (no load)			41.1°	52.9°	60.2°	65.4°	68.8°	
Max. boom length at 0° boom angle (no load)			47.6 ft.					
#RCL operating code. Refer to Operator's Manual for operating instructions.								
NOTE: ( ) Boom angles are in degrees.								
Boom Angle	Main Boom Length in Feet							
	36.8	48-A	60-B	72-C	84-D	96-E	108-F	
0°	3,610 (28.3)	560 (39.5)						
NOTE: ( ) Reference radii in feet.								
Rated Load Reductions from main boom capacity when lifting over main boom nose with:								
36' lattice	6,400	3,650	3,450	2,300	2,300	2,300	2,300	

80131229

**RATED LIFTING CAPACITIES IN POUNDS**  
**37 FT. - 151 FT. BOOM**  
**WITHOUT COUNTERWEIGHT**  
**ON OUTRIGGERS FULLY EXTENDED - 360°**

Radius in Feet	#8001										
	Main Boom Length in Feet										
	36.8	48-A	60-B	72-C	84-D	96-E	108-F	120-G	132-H	144-J	150.5
6	115,000 (74.1)	49,600 (78.5)									
8	98,850 (70.9)	49,600 (76.2)	49,600 (79.5)								
10	86,350 (67.6)	49,600 (73.9)	49,600 (77.7)								
12	76,450 (63.8)	49,600 (71.5)	49,600 (75.9)	49,600 (78.7)							
15	64,850 (57.8)	49,600 (67.8)	49,600 (73.1)	46,700 (76.5)	39,700 (78.9)						
20	49,800 (46.4)	49,600 (60.5)	49,600 (68.3)	42,050 (72.7)	36,100 (75.7)	30,250 (77.8)	23,550 (79.7)				
25	36,550 (30)	37,750 (52.4)	38,550 (62.7)	38,150 (68.7)	32,950 (72.5)	27,400 (75.1)	21,150 (77.3)	18,600 (79)			
30		29,100 (43.1)	29,950 (56.6)	30,400 (64.3)	30,250 (69.1)	24,700 (72.3)	19,100 (74.9)	16,950 (76.8)	14,500 (78.4)	11,300 (79.7)	
35		21,150 (29.8)	21,950 (49.8)	22,350 (59.3)	22,550 (65.5)	22,350 (69.4)	17,250 (72.4)	15,450 (74.6)	13,900 (76.5)	11,300 (78)	10,050 (78.8)
40			16,800 (42.1)	17,150 (53.9)	17,350 (61.2)	17,550 (66.4)	15,700 (69.8)	14,150 (72.4)	12,800 (74.5)	11,300 (76.2)	10,050 (77.1)
45			13,200 (31.5)	13,500 (48.1)	13,700 (56.8)	13,900 (62.8)	13,950 (67.1)	12,950 (70.1)	11,750 (72.5)	10,700 (74.4)	10,050 (75.4)
50			10,550 (15.9)	10,900 (41.6)	11,100 (52.1)	11,200 (59)	11,250 (64)	11,350 (67.8)	10,850 (70.4)	9,930 (72.6)	9,470 (73.6)
55				8,850 (32.7)	9,040 (47)	9,190 (55)	9,280 (60.7)	9,370 (65)	9,430 (68.3)	9,200 (70.7)	8,780 (71.8)
60				7,230 (21)	7,400 (41.3)	7,550 (50.7)	7,640 (57.2)	7,720 (62.1)	7,780 (65.9)	7,820 (68.8)	7,770 (70)
65					6,080 (33.6)	6,220 (46.2)	6,300 (53.6)	6,380 (59.1)	6,440 (63.3)	6,470 (66.7)	6,430 (68.1)
70					4,990 (24.1)	5,120 (41.2)	5,200 (49.7)	5,280 (55.9)	5,330 (60.6)	5,360 (64.3)	5,320 (66)
75					4,090 (8.3)	4,200 (34.3)	4,270 (45.6)	4,350 (52.6)	4,400 (57.7)	4,430 (61.8)	4,390 (63.7)
80						3,420 (26.3)	3,490 (41.1)	3,560 (49.1)	3,610 (54.8)	3,640 (59.3)	3,600 (61.3)
85						2,750 (15.3)	2,810 (35)	2,870 (45.3)	2,920 (51.7)	2,950 (56.7)	2,910 (58.8)
90							2,100 (27.9)	2,280 (41.2)	2,330 (48.5)	2,350 (53.9)	2,310 (56.3)
95							1,470 (19)	1,760 (35.6)	1,810 (45)	1,830 (51.1)	1,790 (53.7)
100								1,210 (29.3)	1,340 (41.2)	1,370 (48)	1,330 (50.9)
105								710 (21.7)	920 (36.1)	950 (44.8)	910 (48)
110									540 (30.3)	580 (41.3)	540 (45)
Min. boom angle for indicated length (no load)								20.7°	29.3°	40.3°	44°
Max. boom length at 0° boom angle (no load)								107.6 ft.			

#RCL operating code. Refer to Operator's Manual for operating instructions.

NOTE: ( ) Boom angles are in degrees.

Boom Angle	Main Boom Length in Feet										
	36.8	48-A	60-B	72-C	84-D	96-E	108-F	120-G	132-H	144-J	150.5
0°	14,400 (28.3)	10,000 (39.5)	6,570 (51.5)	4,360 (63.5)	2,820 (75.5)	1,690 (87.5)	820 (99.5)				

NOTE: ( ) Reference radii in feet.

Rated Load Reductions from main boom capacity when lifting over main boom nose with:										
36' lattice	2,300	2,300	2,300	2,300	2,300	2,300	2,300	2,300	2,300	2,250

80131230

**RATED LIFTING CAPACITIES IN POUNDS  
36 FT. FIXED OFFSETABLE BOOM EXTENSION  
WITHOUT COUNTERWEIGHT  
ON OUTRIGGERS FULLY EXTENDED - 360°  
36 FT. EXTENSION AT 0° OFFSET ANGLE**

Radius in Feet	#8015			
	Main Boom Length in Feet			
	120-G	132-H	144-J	150.5
30	7,720 (80)			
35	7,720 (78.4)	6,370 (79.6)		
40	7,720 (76.8)	6,370 (78.1)	5,200 (79.2)	4,420 (79.8)
45	7,720 (75.2)	6,370 (76.6)	5,200 (77.8)	4,420 (78.5)
50	7,670 (73.5)	6,370 (75.1)	5,200 (76.4)	4,420 (77.1)
55	7,260 (71.8)	6,370 (73.6)	5,200 (75)	4,420 (75.8)
60	6,880 (70.1)	6,370 (72)	5,200 (73.6)	4,420 (74.4)
65	6,520 (68.4)	6,260 (70.5)	5,200 (72.2)	4,420 (73.1)
70	5,930 (66.6)	5,810 (68.8)	5,200 (70.7)	4,420 (71.7)
75	5,000 (64.4)	4,870 (67.2)	4,750 (69.2)	4,420 (70.3)
80	4,200 (62.1)	4,080 (65.2)	3,960 (67.7)	3,860 (68.8)
85	3,520 (59.8)	3,400 (63.2)	3,280 (65.9)	3,180 (67.3)
90	2,920 (57.4)	2,800 (61)	2,680 (64)	2,580 (65.5)
95	2,400 (54.9)	2,280 (58.8)	2,160 (62.1)	2,060 (63.7)
100	1,940 (52.4)	1,820 (56.6)	1,700 (60)	1,600 (61.8)
105	1,530 (49.7)	1,400 (54.3)	1,290 (58)	1,190 (59.8)
110	1,160 (46.9)	1,040 (51.9)	920 (55.9)	820 (57.8)
115	830 (44)	700 (49.4)	590 (53.7)	
120	530 (40.8)			
Min. boom angle for indicated length (no load)	39.8°	48.4°	52.7°	56.8°
Max. boom length at 0° boom angle (no load)	47.6 ft.	47.6 ft.	47.6 ft.	47.6 ft.

#RCL operating code. Refer to Operator's Manual for operating instructions.

80131263\_0

NOTE: ( ) Boom angles are in degrees.

**BOOM EXTENSION CAPACITY NOTES:**

1. 36 ft. extension length may be used for single line lifting service only.
2. For boom angles not shown, use the rating of the next lower boom angle.  
**WARNING:** Operation of this machine with heavier loads than the capacities listed is strictly prohibited. Machine tipping with boom extension occurs rapidly and without advance warning.
3. Boom angle is the angle above or below horizontal of the longitudinal axis of the boom base section after lifting rated load.
4. Capacities listed are with outriggers properly extended and vertical jacks set only.

**RATED LIFTING CAPACITIES IN POUNDS  
36 FT. FIXED OFFSETABLE BOOM EXTENSION  
WITHOUT COUNTERWEIGHT  
ON OUTRIGGERS FULLY EXTENDED - 360°  
36 FT. EXTENSION AT 15° OFFSET ANGLE**

Radius in Feet	#8020			
	Main Boom Length in Feet			
	120-G	132-H	144-J	150.5
40	7,000 (79.5)			
45	6,730 (77.8)			
50	6,540 (76.2)	6,400 (77.6)		
55	6,360 (74.5)	6,150 (76.1)	5,590 (77.4)	4,940 (78)
60	6,100 (72.8)	5,880 (74.5)	5,590 (75.9)	4,940 (76.7)
65	5,810 (71)	5,620 (72.9)	5,370 (74.5)	4,940 (75.3)
70	5,550 (69.2)	5,380 (71.3)	5,160 (73)	4,940 (73.9)
75	5,300 (67.4)	5,150 (69.6)	4,960 (71.6)	4,840 (72.5)
80	4,770 (65.3)	4,680 (68)	4,580 (70)	4,490 (71.1)
85	4,030 (63)	3,940 (66.1)	3,840 (68.5)	3,760 (69.6)
90	3,390 (60.6)	3,290 (64)	3,200 (66.9)	3,110 (68.1)
95	2,820 (58.1)	2,730 (61.8)	2,630 (64.9)	2,550 (66.4)
100	2,310 (55.6)	2,220 (59.5)	2,130 (62.9)	2,050 (64.5)
105	1,870 (52.9)	1,780 (57.2)	1,690 (60.8)	1,600 (62.5)
110	1,460 (50.1)	1,370 (54.8)	1,280 (58.7)	1,200 (60.5)
115	1,100 (47.1)	1,010 (52.3)	920 (56.5)	840 (58.4)
120	770 (43.9)	680 (49.7)	590 (54.2)	510 (56.3)
Min. boom angle for indicated length (no load)	42.9°	48.7°	53.2°	55.3°
Max. boom length at 0° boom angle (no load)	47.6 ft.	47.6 ft.	47.6 ft.	47.6 ft.

#RCL operating code. Refer to Operator's Manual for operating instructions. 80131263\_15

NOTE: ( ) Boom angles are in degrees.

**BOOM EXTENSION CAPACITY NOTES:**

1. 36 ft. extension length may be used for single line lifting service only.
2. For boom angles not shown, use the rating of the next lower boom angle.  
**WARNING:** Operation of this machine with heavier loads than the capacities listed is strictly prohibited. Machine tipping with boom extension occurs rapidly and without advance warning.
3. Boom angle is the angle above or below horizontal of the longitudinal axis of the boom base section after lifting rated load.
4. Capacities listed are with outriggers properly extended and vertical jacks set only.



**RATED LIFTING CAPACITIES IN POUNDS**  
**36 FT. FIXED OFFSETABLE BOOM EXTENSION**  
**WITHOUT COUNTERWEIGHT**  
**ON OUTRIGGERS FULLY EXTENDED - 360°**  
**36 FT. EXTENSION AT 30° OFFSET ANGLE**

Radius in Feet	#8025			
	Main Boom Length in Feet			
	120-G	132-H	144-J	150.5
50	5,660 (78.6)			
55	5,530 (76.9)	5,440 (78.2)		
60	5,420 (75.1)	5,350 (76.6)	5,190 (78)	
65	5,320 (73.3)	5,190 (75)	5,000 (76.5)	4,870 (77.2)
70	5,140 (71.5)	4,990 (73.4)	4,810 (75)	4,700 (75.8)
75	4,940 (69.6)	4,800 (71.7)	4,640 (73.5)	4,540 (74.3)
80	4,760 (67.7)	4,630 (70)	4,470 (72)	4,380 (72.9)
85	4,470 (65.5)	4,400 (68.2)	4,320 (70.4)	4,230 (71.4)
90	3,770 (63.1)	3,710 (66.4)	3,640 (68.8)	3,570 (69.9)
95	3,160 (60.6)	3,100 (64.1)	3,030 (67.1)	2,960 (68.3)
100	2,620 (57.9)	2,560 (61.8)	2,500 (65)	2,430 (66.6)
105	2,130 (55.2)	2,080 (59.4)	2,010 (62.9)	1,950 (64.6)
110	1,700 (52.2)	1,640 (56.9)	1,580 (60.7)	1,510 (62.5)
115	1,300 (49.2)	1,250 (54.3)	1,190 (58.5)	1,120 (60.4)
120	930 (45.8)	890 (51.6)	830 (56.1)	770 (58.2)
125	600 (42.2)	560 (48.7)	510 (53.7)	
Min. boom angle for indicated length (no load)	41.2°	47.7°	52.7°	57.2°
Max. boom length at 0° boom angle (no load)	47.6 ft.	47.6 ft.	47.6 ft.	47.6 ft.

#RCL operating code. Refer to Operator's Manual for operating instructions. 80131263\_30

NOTE: ( ) Boom angles are in degrees.

**BOOM EXTENSION CAPACITY NOTES:**

1. 36 ft. extension length may be used for single line lifting service only.
2. For boom angles not shown, use the rating of the next lower boom angle.  
  
**WARNING:** Operation of this machine with heavier loads than the capacities listed is strictly prohibited. Machine tipping with boom extension occurs rapidly and without advance warning.
3. Boom angle is the angle above or below horizontal of the longitudinal axis of the boom base section after lifting rated load.
4. Capacities listed are with outriggers properly extended and vertical jacks set only.

**RATED LIFTING CAPACITIES IN POUNDS**  
**37 FT. - 151 FT. BOOM**  
**WITHOUT COUNTERWEIGHT**  
**ON OUTRIGGERS FULLY EXTENDED - OVER REAR**

Radius in Feet	#8026										
	Main Boom Length in Feet										
	36.8	48-A	60-B	72-C	84-D	96-E	108-F	120-G	132-H	144-J	150.5
6	120,000 (74.1)	49,600 (78.5)									
8	107,000 (70.9)	49,600 (76.2)	49,600 (79.5)								
10	95,400 (67.6)	49,600 (73.9)	49,600 (77.7)								
12	85,600 (63.8)	49,600 (71.5)	49,600 (75.9)	49,600 (78.7)							
15	73,900 (57.8)	49,600 (67.8)	49,600 (73.1)	46,700 (76.5)	39,700 (78.9)						
20	53,900 (46.4)	49,600 (60.5)	49,600 (68.3)	42,050 (72.7)	36,100 (75.7)	30,250 (77.8)	23,550 (79.7)				
25	37,450 (30)	41,550 (52.4)	42,100 (62.7)	38,150 (68.7)	32,950 (72.5)	27,400 (75.1)	21,150 (77.3)	18,600 (79)			
30		32,900 (43.1)	33,400 (56.6)	33,750 (64.3)	30,250 (69.1)	24,700 (72.3)	19,100 (74.9)	16,950 (76.8)	14,500 (78.4)	11,300 (79.7)	
35		25,000 (29.8)	25,500 (49.8)	25,800 (59.3)	26,000 (65.5)	22,350 (69.4)	17,250 (72.4)	15,450 (74.6)	13,900 (76.5)	11,300 (78)	10,050 (78.8)
40			20,050 (42.1)	20,400 (53.9)	20,550 (61.2)	20,300 (66.4)	15,700 (69.8)	14,150 (72.4)	12,800 (74.5)	11,300 (76.2)	10,050 (77.1)
45			16,150 (31.5)	16,450 (48.1)	16,600 (56.8)	16,750 (62.8)	14,350 (67.1)	12,950 (70.1)	11,750 (72.5)	10,700 (74.4)	10,050 (75.4)
50			13,100 (15.9)	13,500 (41.6)	13,650 (52.1)	13,800 (59)	13,200 (64)	11,900 (67.8)	10,850 (70.4)	9,930 (72.6)	9,470 (73.6)
55				11,250 (32.7)	11,400 (47)	11,500 (55)	11,550 (60.7)	11,000 (65)	10,000 (68.3)	9,200 (70.7)	8,780 (71.8)
60				9,480 (21)	9,650 (41.3)	9,770 (50.7)	9,850 (57.2)	9,920 (62.1)	9,300 (65.9)	8,540 (68.8)	8,160 (70)
65					8,160 (33.6)	8,280 (46.2)	8,350 (53.6)	8,420 (59.1)	8,460 (63.3)	7,940 (66.7)	7,590 (68.1)
70					6,920 (24.1)	7,030 (41.2)	7,100 (49.7)	7,170 (55.9)	7,210 (60.6)	7,230 (64.3)	7,070 (66)
75					5,400 (8.3)	5,990 (34.3)	6,050 (45.6)	6,110 (52.6)	6,160 (57.7)	6,180 (61.8)	6,130 (63.7)
80						5,090 (26.3)	5,150 (41.1)	5,210 (49.1)	5,250 (54.8)	5,270 (59.3)	5,230 (61.3)
85						4,300 (15.3)	4,370 (35)	4,430 (45.3)	4,470 (51.7)	4,490 (56.7)	4,440 (58.8)
90							3,700 (27.9)	3,750 (41.2)	3,790 (48.5)	3,800 (53.9)	3,760 (56.3)
95							3,090 (19)	3,150 (35.6)	3,190 (45)	3,200 (51.1)	3,160 (53.7)
100								2,620 (29.3)	2,650 (41.2)	2,670 (48)	2,620 (50.9)
105								2,150 (21.7)	2,180 (36.1)	2,190 (44.8)	2,150 (48)
110								1,720 (10.7)	1,750 (30.3)	1,760 (41.3)	1,720 (45)
115									1,370 (23.7)	1,380 (36.5)	1,330 (41.6)
120									1,020 (15.1)	1,030 (31.3)	980 (37)
125										710 (25.4)	670 (32.1)
Min. boom angle for indicated length (no load)								9.7°	14.1°	24.4°	31.1°
Max. boom length at 0° boom angle (no load)								107.6 ft.			

#RCL operating code. Refer to Operator's Manual for operating instructions.

NOTE: ( ) Boom angles are in degrees.

Boom Angle	Main Boom Length in Feet										
	36.8	48-A	60-B	72-C	84-D	96-E	108-F	120-G	132-H	144-J	150.5
0°	14,400 (28.3)	10,000 (39.5)	6,570 (51.5)	4,360 (63.5)	2,820 (75.5)	1,690 (87.5)	820 (99.5)				

NOTE: ( ) Reference radii in feet.

Rated Load Reductions from main boom capacity when lifting over main boom nose with:											
36' lattice	2,200	2,300	2,300	2,300	2,300	2,300	2,300	2,300	2,300	2,300	2,250

80131231

**RATED LIFTING CAPACITIES IN POUNDS  
36 FT. FIXED OFFSETABLE BOOM EXTENSION  
WITHOUT COUNTERWEIGHT  
ON OUTRIGGERS FULLY EXTENDED - OVER REAR  
36 FT. EXTENSION AT 0° OFFSET ANGLE**

Radius in Feet	#8040			
	Main Boom Length in Feet			
	120-G	132-H	144-J	150.5
30	7,720 (80)			
35	7,720 (78.4)	6,370 (79.6)		
40	7,720 (76.8)	6,370 (78.1)	5,200 (79.2)	4,420 (79.8)
45	7,720 (75.2)	6,370 (76.6)	5,200 (77.8)	4,420 (78.5)
50	7,670 (73.5)	6,370 (75.1)	5,200 (76.4)	4,420 (77.1)
55	7,260 (71.8)	6,370 (73.6)	5,200 (75)	4,420 (75.8)
60	6,880 (70.1)	6,370 (72)	5,200 (73.6)	4,420 (74.4)
65	6,520 (68.4)	6,260 (70.5)	5,200 (72.2)	4,420 (73.1)
70	6,180 (66.6)	5,960 (68.8)	5,200 (70.7)	4,420 (71.7)
75	5,870 (64.4)	5,690 (67.2)	5,200 (69.2)	4,420 (70.3)
80	5,580 (62.1)	5,400 (65.2)	4,990 (67.7)	4,420 (68.8)
85	5,220 (59.8)	5,060 (63.2)	4,680 (65.9)	4,420 (67.3)
90	4,530 (57.4)	4,410 (61)	4,290 (64)	4,200 (65.5)
95	3,920 (54.9)	3,800 (58.8)	3,690 (62.1)	3,590 (63.7)
100	3,380 (52.4)	3,260 (56.6)	3,150 (60)	3,050 (61.8)
105	2,900 (49.7)	2,780 (54.3)	2,670 (58)	2,570 (59.8)
110	2,470 (46.9)	2,350 (51.9)	2,230 (55.9)	2,140 (57.8)
115	2,080 (44)	1,960 (49.4)	1,850 (53.7)	1,750 (55.7)
120	1,730 (40.8)	1,610 (46.7)	1,490 (51.4)	1,400 (53.6)
125	1,410 (36.3)	1,290 (44)	1,170 (49.1)	1,070 (51.4)
130	1,120 (31.5)	1,000 (40.9)	880 (46.6)	780 (49.2)
135	860 (26.2)	730 (36.8)	610 (44)	510 (46.8)
140	630 (20)			
Min. boom angle for indicated length (no load)	19°	35.8°	43°	45.8°
Max. boom length at 0° boom angle (no load)	47.6 ft.	47.6 ft.	47.6 ft.	47.6 ft.

#RCL operating code. Refer to Operator's Manual for operating instructions.

80131264\_0

NOTE: ( ) Boom angles are in degrees.

**BOOM EXTENSION CAPACITY NOTES:**

1. 36 ft. extension length may be used for single line lifting service only.
2. For boom angles not shown, use the rating of the next lower boom angle.

**WARNING:** Operation of this machine with heavier loads than the capacities listed is strictly prohibited. Machine tipping with boom extension occurs rapidly and without advance warning.

3. Boom angle is the angle above or below horizontal of the longitudinal axis of the boom base section after lifting rated load.
4. Capacities listed are with outriggers properly extended and vertical jacks set only.

**RATED LIFTING CAPACITIES IN POUNDS**  
**36 FT. FIXED OFFSETABLE BOOM EXTENSION**  
**WITHOUT COUNTERWEIGHT**  
**ON OUTRIGGERS FULLY EXTENDED - OVER REAR**  
**36 FT. EXTENSION AT 15° OFFSET ANGLE**

Radius in Feet	#8045			
	Main Boom Length in Feet			
	120-G	132-H	144-J	150.5
40	7,000 (79.5)			
45	6,730 (77.8)			
50	6,540 (76.2)	6,400 (77.6)		
55	6,360 (74.5)	6,150 (76.1)	5,590 (77.4)	4,940 (78)
60	6,100 (72.8)	5,880 (74.5)	5,590 (75.9)	4,940 (76.7)
65	5,810 (71)	5,620 (72.9)	5,370 (74.5)	4,940 (75.3)
70	5,550 (69.2)	5,380 (71.3)	5,160 (73)	4,940 (73.9)
75	5,300 (67.4)	5,150 (69.6)	4,960 (71.6)	4,840 (72.5)
80	5,070 (65.3)	4,930 (68)	4,760 (70)	4,660 (71.1)
85	4,860 (63)	4,730 (66.1)	4,580 (68.5)	4,480 (69.6)
90	4,660 (60.6)	4,550 (64)	4,400 (66.9)	4,250 (68.1)
95	4,330 (58.1)	4,240 (61.8)	4,150 (64.9)	3,980 (66.4)
100	3,750 (55.6)	3,660 (59.5)	3,570 (62.9)	3,490 (64.5)
105	3,240 (52.9)	3,150 (57.2)	3,060 (60.8)	2,980 (62.5)
110	2,770 (50.1)	2,680 (54.8)	2,590 (58.7)	2,510 (60.5)
115	2,350 (47.1)	2,260 (52.3)	2,170 (56.5)	2,090 (58.4)
120	1,970 (43.9)	1,880 (49.7)	1,790 (54.2)	1,710 (56.3)
125	1,620 (40.3)	1,530 (46.9)	1,450 (51.8)	1,370 (54.1)
130	1,300 (35.2)	1,210 (43.9)	1,130 (49.3)	1,050 (51.8)
135	1,000 (29.6)	920 (40.5)	830 (46.7)	760 (49.4)
140	730 (23)	650 (35.8)	560 (43.9)	
Min. boom angle for indicated length (no load)	22°	34.8°	42.9°	48.4°
Max. boom length at 0° boom angle (no load)	47.6 ft.	47.6 ft.	47.6 ft.	47.6 ft.

#RCL operating code. Refer to Operator's Manual for operating instructions. 80131264\_15

NOTE: ( ) Boom angles are in degrees.

**BOOM EXTENSION CAPACITY NOTES:**

1. 36 ft. extension length may be used for single line lifting service only.
2. For boom angles not shown, use the rating of the next lower boom angle.  
  
**WARNING:** Operation of this machine with heavier loads than the capacities listed is strictly prohibited. Machine tipping with boom extension occurs rapidly and without advance warning.
3. Boom angle is the angle above or below horizontal of the longitudinal axis of the boom base section after lifting rated load.
4. Capacities listed are with outriggers properly extended and vertical jacks set only.

**RATED LIFTING CAPACITIES IN POUNDS**  
**36 FT. FIXED OFFSETABLE BOOM EXTENSION**  
**WITHOUT COUNTERWEIGHT**  
**ON OUTRIGGERS FULLY EXTENDED - OVER REAR**  
**36 FT. EXTENSION AT 30° OFFSET ANGLE**

Radius in Feet	#8050			
	Main Boom Length in Feet			
	120-G	132-H	144-J	150.5
50	5,660 (78.6)			
55	5,530 (76.9)	5,440 (78.2)		
60	5,420 (75.1)	5,350 (76.6)	5,190 (78)	
65	5,320 (73.3)	5,190 (75)	5,000 (76.5)	4,870 (77.2)
70	5,140 (71.5)	4,990 (73.4)	4,810 (75)	4,700 (75.8)
75	4,940 (69.6)	4,800 (71.7)	4,640 (73.5)	4,540 (74.3)
80	4,760 (67.7)	4,630 (70)	4,470 (72)	4,380 (72.9)
85	4,580 (65.5)	4,460 (68.2)	4,320 (70.4)	4,230 (71.4)
90	4,420 (63.1)	4,310 (66.4)	4,170 (68.8)	4,090 (69.9)
95	4,270 (60.6)	4,160 (64.1)	4,030 (67.1)	3,960 (68.3)
100	4,050 (57.9)	3,990 (61.8)	3,900 (65)	3,820 (66.6)
105	3,500 (55.2)	3,440 (59.4)	3,380 (62.9)	3,310 (64.6)
110	3,000 (52.2)	2,950 (56.9)	2,890 (60.7)	2,820 (62.5)
115	2,540 (49.2)	2,500 (54.3)	2,440 (58.5)	2,370 (60.4)
120	2,130 (45.8)	2,090 (51.6)	2,030 (56.1)	1,960 (58.2)
125	1,750 (42.2)	1,710 (48.7)	1,660 (53.7)	1,590 (56)
130	1,390 (37)	1,360 (45.6)	1,310 (51.1)	1,250 (53.6)
135		1,040 (42.3)	990 (48.4)	930 (51.1)
140		740 (37.4)	700 (45.5)	640 (48.5)
Min. boom angle for indicated length (no load)	36°	36.4°	44.5°	47.5°
Max. boom length at 0° boom angle (no load)	47.6 ft.	47.6 ft.	47.6 ft.	47.6 ft.

#RCL operating code. Refer to Operator's Manual for operating instructions. 80131264\_30

NOTE: ( ) Boom angles are in degrees.

**BOOM EXTENSION CAPACITY NOTES:**

1. 36 ft. extension length may be used for single line lifting service only.
2. For boom angles not shown, use the rating of the next lower boom angle.

**WARNING:** Operation of this machine with heavier loads than the capacities listed is strictly prohibited. Machine tipping with boom extension occurs rapidly and without advance warning.

3. Boom angle is the angle above or below horizontal of the longitudinal axis of the boom base section after lifting rated load.
4. Capacities listed are with outriggers properly extended and vertical jacks set only.

**RATED LIFTING CAPACITIES IN POUNDS**  
**37 FT. - 151 FT. BOOM**  
**WITHOUT COUNTERWEIGHT**  
**ON OUTRIGGERS 50% EXTENDED - 360°**

Radius in Feet	#8401										
	Main Boom Length in Feet										
	36.8	48-A	60-B	72-C	84-D	96-E	108-F	120-G	132-H	144-J	150.5
6	120,000 (74.1)	49,600 (78.5)									
8	107,000 (70.9)	49,600 (76.2)	49,600 (79.5)								
10	93,800 (67.6)	49,600 (73.9)	49,600 (77.7)								
12	73,100 (63.8)	49,600 (71.5)	49,600 (75.9)	49,600 (78.7)							
15	47,250 (57.8)	44,700 (67.8)	42,100 (73.1)	39,700 (76.5)	37,450 (78.9)						
20	27,450 (46.4)	27,150 (60.5)	26,250 (68.3)	25,250 (72.7)	24,200 (75.7)	23,250 (77.8)	22,300 (79.7)				
25	16,850 (30)	17,950 (52.4)	18,000 (62.7)	17,550 (68.7)	17,000 (72.5)	16,450 (75.1)	15,900 (77.3)	15,350 (79)			
30		12,150 (43.1)	12,650 (56.6)	12,750 (64.3)	12,450 (69.1)	12,100 (72.3)	11,750 (74.9)	11,450 (76.8)	11,100 (78.4)	10,750 (79.7)	
35		8,390 (29.8)	9,040 (49.8)	9,360 (59.3)	9,310 (65.5)	9,130 (69.4)	8,900 (72.4)	8,670 (74.6)	8,440 (76.5)	8,190 (78)	7,990 (78.8)
40			6,470 (42.1)	6,800 (53.9)	6,980 (61.2)	6,920 (66.4)	6,760 (69.8)	6,610 (72.4)	6,440 (74.5)	6,260 (76.2)	6,100 (77.1)
45			4,540 (31.5)	4,930 (48.1)	5,100 (56.8)	5,220 (62.8)	5,120 (67.1)	5,010 (70.1)	4,890 (72.5)	4,750 (74.4)	4,620 (75.4)
50			3,070 (15.9)	3,480 (41.6)	3,670 (52.1)	3,800 (59)	3,810 (64)	3,740 (67.8)	3,660 (70.4)	3,550 (72.6)	3,430 (73.6)
55				2,310 (32.7)	2,540 (47)	2,670 (55)	2,750 (60.7)	2,710 (65)	2,650 (68.3)	2,560 (70.7)	2,460 (71.8)
60				1,370 (21)	1,610 (41.3)	1,760 (50.7)	1,830 (57.2)	1,850 (62.1)	1,810 (65.9)	1,740 (68.8)	1,640 (70)
65					830 (33.6)	1,010 (46.2)	1,080 (53.6)	1,130 (59.1)	1,100 (63.3)	1,050 (66.7)	960 (68.1)
70								510 (55.9)			
Min. boom angle for indicated length (no load)					32.6°	45.2°	52.6°	54.9°	62.3°	65.7°	67.1°
Max. boom length at 0° boom angle (no load)					71.6 ft.						

#RCL operating code. Refer to Operator's Manual for operating instructions.

NOTE: ( ) Boom angles are in degrees.

Boom Angle	Main Boom Length in Feet										
	36.8	48-A	60-B	72-C	84-D	96-E	108-F	120-G	132-H	144-J	150.5
0°	12,650 (28.3)	5,990 (39.5)	2,700 (51.5)	830 (63.5)							

NOTE: ( ) Reference radii in feet.

Rated Load Reductions from main boom capacity when lifting over main boom nose with:											
36' lattice	4,300	2,800	2,650	2,500	2,450	2,300	2,300	2,300	2,300	2,300	2,250

80131233

**RATED LIFTING CAPACITIES IN POUNDS**  
**36 FT. FIXED OFFSETABLE BOOM EXTENSION**  
**WITHOUT COUNTERWEIGHT**  
**ON OUTRIGGERS 50% EXTENDED - 360°**  
**36 FT. EXTENSION AT 0° OFFSET ANGLE**

Radius in Feet	#8415			
	Main Boom Length in Feet			
	120-G	132-H	144-J	150.5
30	7,720 (80)			
35	7,720 (78.4)	6,370 (79.6)		
40	6,900 (76.8)	6,370 (78.1)	5,200 (79.2)	4,420 (79.8)
45	5,420 (75.2)	5,120 (76.6)	4,840 (77.8)	4,420 (78.5)
50	4,240 (73.5)	3,970 (75.1)	3,720 (76.4)	3,530 (77.1)
55	3,260 (71.8)	3,020 (73.6)	2,790 (75)	2,620 (75.8)
60	2,450 (70.1)	2,230 (72)	2,020 (73.6)	1,860 (74.4)
65	1,760 (68.4)	1,560 (70.5)	1,360 (72.2)	1,210 (73.1)
70	1,170 (66.6)	980 (68.8)	790 (70.7)	650 (71.7)
75	660 (64.4)			
Min. boom angle for indicated length (no load)	63.4°	67.8°	69.7°	70.7°
Max. boom length at 0° boom angle (no load)	47.6 ft.	47.6 ft.	47.6 ft.	47.6 ft.

#RCL operating code. Refer to Operator's Manual for operating instructions. 80131266\_0

NOTE: ( ) Boom angles are in degrees.

**BOOM EXTENSION CAPACITY NOTES:**

1. 36 ft. extension length may be used for single line lifting service only.
2. For boom angles not shown, use the rating of the next lower boom angle.  
  
**WARNING:** Operation of this machine with heavier loads than the capacities listed is strictly prohibited. Machine tipping with boom extension occurs rapidly and without advance warning.
3. Boom angle is the angle above or below horizontal of the longitudinal axis of the boom base section after lifting rated load.
4. Capacities listed are with outriggers properly extended and vertical jacks set only.

**RATED LIFTING CAPACITIES IN POUNDS  
36 FT. FIXED OFFSETABLE BOOM EXTENSION  
WITHOUT COUNTERWEIGHT  
ON OUTRIGGERS 50% EXTENDED - 360°  
36 FT. EXTENSION AT 15° OFFSET ANGLE**

Radius in Feet	#8420			
	Main Boom Length in Feet			
	120-G	132-H	144-J	150.5
40	7,000 (79.5)			
45	6,560 (77.8)			
50	5,250 (76.2)	5,000 (77.6)		
55	4,170 (74.5)	3,950 (76.1)	3,730 (77.4)	3,570 (78)
60	3,270 (72.8)	3,060 (74.5)	2,860 (75.9)	2,720 (76.7)
65	2,500 (71)	2,310 (72.9)	2,130 (74.5)	1,990 (75.3)
70	1,840 (69.2)	1,670 (71.3)	1,500 (73)	1,370 (73.9)
75	1,270 (67.4)	1,110 (69.6)	940 (71.6)	820 (72.5)
80	770 (65.3)	610 (68)		
Min. boom angle for indicated length (no load)	64.3°	67°	70.6°	71.5°
Max. boom length at 0° boom angle (no load)	47.6 ft.	47.6 ft.	47.6 ft.	47.6 ft.

#RCL operating code. Refer to Operator's Manual for operating instructions. 80131266\_15

NOTE: ( ) Boom angles are in degrees.

**BOOM EXTENSION CAPACITY NOTES:**

1. 36 ft. extension length may be used for single line lifting service only.
2. For boom angles not shown, use the rating of the next lower boom angle.

**WARNING:** Operation of this machine with heavier loads than the capacities listed is strictly prohibited. Machine tipping with boom extension occurs rapidly and without advance warning.

3. Boom angle is the angle above or below horizontal of the longitudinal axis of the boom base section after lifting rated load.
4. Capacities listed are with outriggers properly extended and vertical jacks set only.



**RATED LIFTING CAPACITIES IN POUNDS**  
**36 FT. FIXED OFFSETABLE BOOM EXTENSION**  
**WITHOUT COUNTERWEIGHT**  
**ON OUTRIGGERS 50% EXTENDED - 360°**  
**36 FT. EXTENSION AT 30° OFFSET ANGLE**

Radius in Feet	#8425			
	Main Boom Length in Feet			
	120-G	132-H	144-J	150.5
50	5,660 (78.6)			
55	5,000 (76.9)	4,790 (78.2)		
60	4,010 (75.1)	3,820 (76.6)	3,630 (78)	
65	3,160 (73.3)	2,990 (75)	2,820 (76.5)	2,700 (77.2)
70	2,430 (71.5)	2,280 (73.4)	2,130 (75)	2,010 (75.8)
75	1,800 (69.6)	1,660 (71.7)	1,520 (73.5)	1,400 (74.3)
80	1,240 (67.7)	1,110 (70)	980 (72)	870 (72.9)
85	750 (65.5)	630 (68.2)	510 (70.4)	
Min. boom angle for indicated length (no load)	64.5°	67.2°	69.4°	71.9°
Max. boom length at 0° boom angle (no load)	47.6 ft.	47.6 ft.	47.6 ft.	47.6 ft.

#RCL operating code. Refer to Operator's Manual for operating instructions. 80131266\_30

NOTE: ( ) Boom angles are in degrees.

**BOOM EXTENSION CAPACITY NOTES:**

1. 36 ft. extension length may be used for single line lifting service only.
2. For boom angles not shown, use the rating of the next lower boom angle.

**WARNING:** Operation of this machine with heavier loads than the capacities listed is strictly prohibited. Machine tipping with boom extension occurs rapidly and without advance warning.

3. Boom angle is the angle above or below horizontal of the longitudinal axis of the boom base section after lifting rated load.
4. Capacities listed are with outriggers properly extended and vertical jacks set only.

**RATED LIFTING CAPACITIES IN POUNDS**  
**37 FT. - 151 FT. BOOM**  
**WITHOUT COUNTERWEIGHT**  
**ON OUTRIGGERS 0% EXTENDED - 360°**

Radius in Feet	#8801						
	Main Boom Length in Feet						
	36.8	48-A	60-B	72-C	84-D	96-E	108-F
6	57,700 (74.1)	49,600 (78.5)					
8	37,350 (70.9)	34,600 (76.2)	31,850 (79.5)				
10	26,500 (67.6)	25,200 (73.9)	23,650 (77.7)				
12	19,800 (63.8)	19,150 (71.5)	18,300 (75.9)	17,350 (78.7)			
15	13,300 (57.8)	13,300 (67.8)	12,900 (73.1)	12,450 (76.5)	11,850 (78.9)		
20	7,020 (46.4)	7,610 (60.5)	7,620 (68.3)	7,470 (72.7)	7,210 (75.7)	6,950 (77.8)	6,640 (79.7)
25	3,440 (30)	4,120 (52.4)	4,440 (62.7)	4,440 (68.7)	4,340 (72.5)	4,220 (75.1)	4,040 (77.3)
30		1,830 (43.1)	2,260 (56.6)	2,420 (64.3)	2,390 (69.1)	2,350 (72.3)	2,250 (74.9)
35			680 (49.8)	940 (59.3)	990 (65.5)	990 (69.4)	930 (72.4)
Min. boom angle for indicated length (no load)		42.1°	48.8°	58.3°	64.5°	68.4°	71.4°
Max. boom length at 0° boom angle (no load)	36.3 ft.						

#RCL operating code. Refer to Operator's Manual for operating instructions.

NOTE: ( ) Boom angles are in degrees.

Boom Angle	Main Boom Length in Feet						
	36.8	48-A	60-B	72-C	84-D	96-E	108-F
0°	1,730 (28.3)						

NOTE: ( ) Reference radii in feet.

Rated Load Reductions from main boom capacity when lifting over main boom nose with:							
36' lattice	6,400	3,650	3,450	2,300	2,300	2,300	2,300

80131234