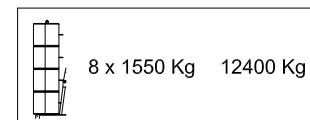
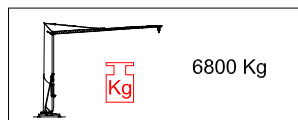



Peso del lastre / weight ballast



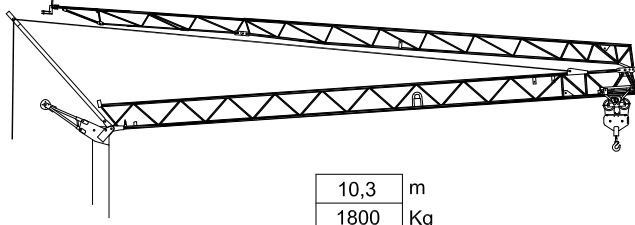
 Peso de la grúa sin lastre / Dead weight without ballast / Kontruktionsgewicht ohne ballast / Poids de construction sans lest / Peso della gru senza zavorra

Creative Lifting Services Inc.

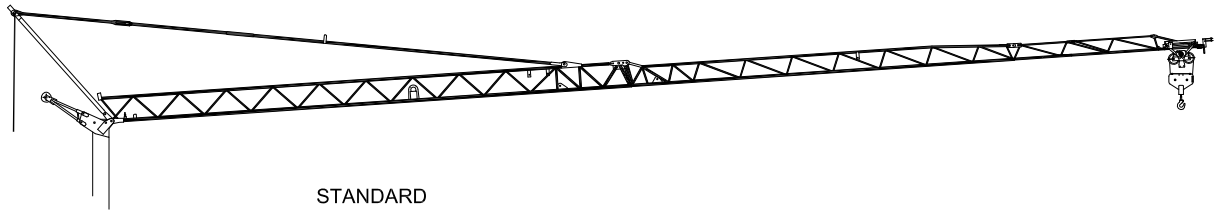
Call Kelly or Will Phone: 303-659-8102 Fax: 303-659-5314

kelly@creativelifting.com will@creativelifting.com www.creativelifting.com




Curva de cargas - Loads diagrams - Lastkurven - Courbes de charges - Curve di carico

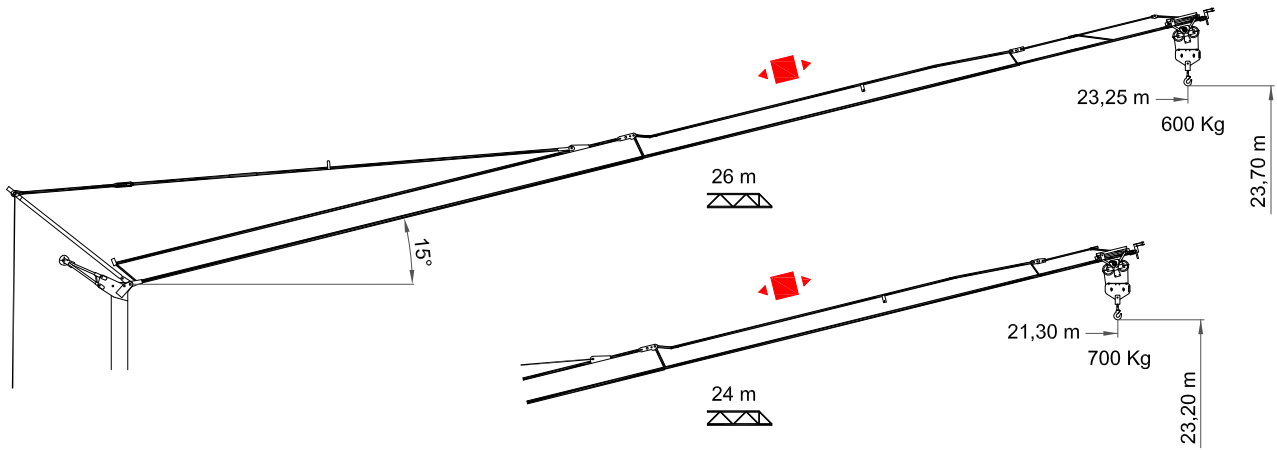




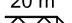
10,3 m
1800 Kg

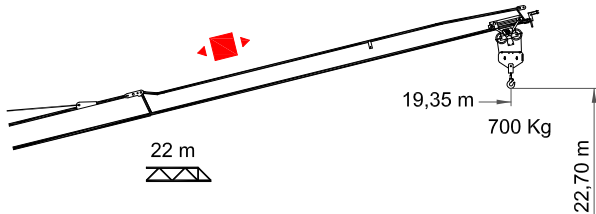


STANDARD

26 m	10,3	14	16	18	20	22	26	m
	1500	1305	1120	975	865	775	600	Kg
22 m	10,3	14	16	18	20	22		m
	1500	1425	1225	1070	950	850		Kg
20 m	10,3	16	18	20				m
	1500	1290	1130	1000				Kg








24 m	0 ▶	23,25	m
		800	Kg
22 m	0 ▶	21,30	m
		800	Kg
20 m	0 ▶	19,35	m
		800	Kg





Mecanismos - Mechanisms - Antriebe - Mécanisme - Meccanismi



5,5Hp (5.5Kw) INV
H.B.G. 18m S/R Ø8mm





					
	105m	m/min	4	12,5	35
		Kg	1800	1300	600
		Kw	5,5		
		m/min	37		
		Kw	1,1		
		r.p.m	0,25	0,5	0,8
		N.m.	25		
		Kw	2,2		

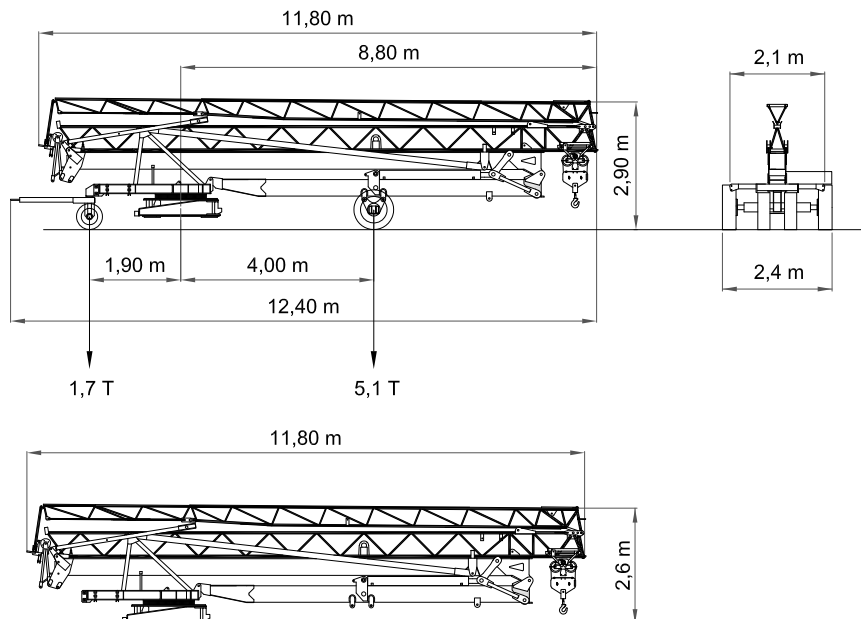
20Hp (5,5Kw) - INV

 2000/14/CEE 2005/88/CEE	 2006/95/CEE	400V 50Hz I _{max} = 14A Fuse= 16A 480V 60Hz I _{max} = 11A Fuse= 15A	TOTAL POWER 11 KVA	GENERATOR 14 KVA	100m 4x6mm ²	150m 4x6mm ²	200m 4x6mm ²
---	--	--	-----------------------	---------------------	----------------------------	----------------------------	----------------------------

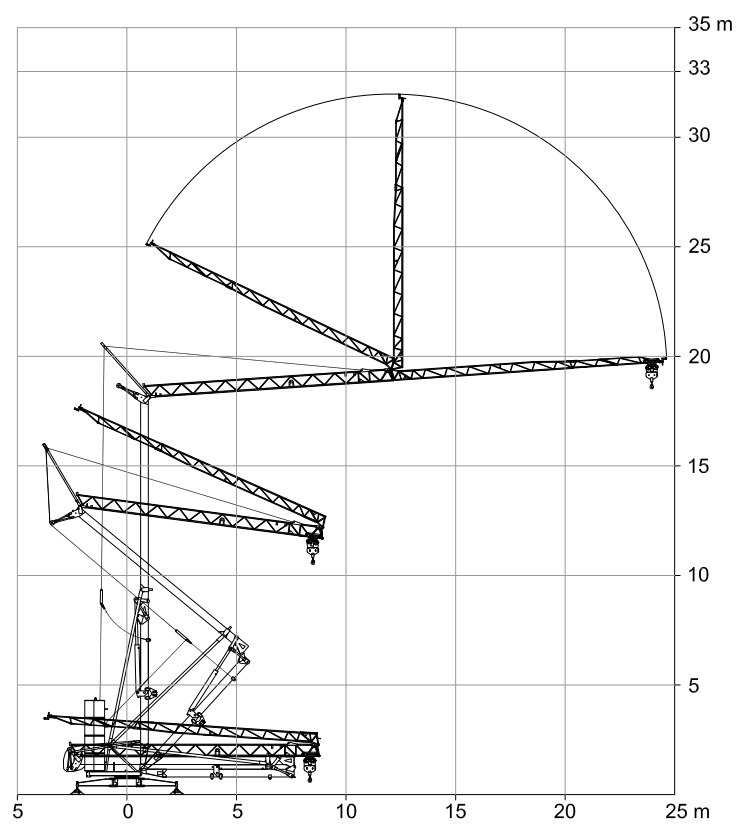
20Hp (5,5Kw) - INV

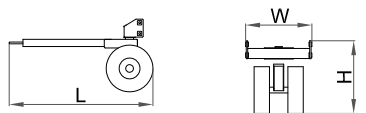
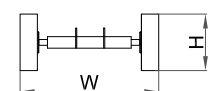
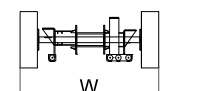
 2000/14/CEE 2005/88/CEE	 2006/95/CEE	230V 50Hz I _{max} = 32A Fuse= 32A	TOTAL POWER 7.4 KVA	GENERATOR 14 KVA	100m 5x6mm ²	150m 5x6mm ²	200m 5x6mm ²
---	--	--	------------------------	---------------------	----------------------------	----------------------------	----------------------------

-  Elevación / Hoisting / Heben / Levage / Sollevamento
-  Distribución / Trolleying / Katzfahren / Distribution / Distributions
-  Orientación / Slewing / Schwenken / Orientation / Rotazione
-  Montaje / Erection / Montage / Montage / Montaggio



Montaje - Erection - Montage - Montaggio



		L (m)	W (m)	H (m)	Kg
Eje de transporte delantero Road transport axle front / Transportachse vorne / Essieux de transport avant / Asse di trasporto anteriore		1,96	0,96	1,00	312
Eje de transporte trasero / Road transport axlebehind / Transportachse hinten / Essieux de transport arrière / Asse di trasporto posteriore		0,89	2,40	0,89	346
Eje de transporte trasero con freno Transportachse hinten mit brense Essieux de transport arrière avec frein Asse di trasporto posteriore con freno		1,25	2,40	1,35	690