

TECHNICAL  
DATASHEET

**FRANNA**<sup>®</sup>  
A TEREX BRAND

# MAC 25-4 PICK AND CARRY CRANE



MAXIMUM CAPACITY  
**25t**



MAXIMUM BOOM LENGTH  
**18.4m**



MAXIMUM HOOK HEIGHT  
**18m**

[terex.com/franna](https://terex.com/franna)

# OVERVIEW

The MAC 25-4 is a mobile articulated crane with a maximum lifting capacity of 25 tonne (27 USt). The MAC 25-4 offers maximum safety, excellent roadability, intuitive operation and unmatched versatility. Over the years its design has been tried, tested and proven in a range of difficult lifting applications and is still a customer favourite today.

A superlift (SL) upgrade is also available on the MAC 25-4 as an additional option. The SL kit works in tandem with the existing MAC 25 counterweight, adding a low slung additional counterweight piece to the rear of the machine, increasing the rated capacity of the machine.



## ⚙️ KEY FEATURES AND BENEFITS:

- ▶ 25 tonne at 1.4m radius
- ▶ 14.8 tonne at 3.0m radius
- ▶ 1.8 tonne at 15.7m radius
- ▶ 18m hook height
- ▶ Single line pull 4.2 tonne
- ▶ Increased rated capacity of up to 30% with SL option
- ▶ Dynamic LMI (Patent Protected)
- ▶ Unique boom head design allows for maximum clearance
- ▶ Easy access to all key maintenance points



# TECHNICAL DESCRIPTION

## 01. Boom

Maximum boom length	18.4m
Maximum hook height	18m
Boom elevation angle range	-10° / 65°
Maximum hook height with jib	20.5m
Articulation	40° R / 40° L
Machinery hook	15 tonne

## 02. Winch

Maximum line pull	4.2 tonne
Two speed winch	38m/min / 76m/min
Hook block (6 part)	25 tonne maximum rated capacity

## 03. Engine & Transmission

Standard engine	Mercedes OM 906
Engine power	205kW
Engine torque	1100 Nm
Fuel Type	Diesel
Fuel Capacity	440 litre
Transmission	Allison 6 speed
Transfer case	ZF 2:1 Ratio

## 04. Hydraulic System

Axial piston pump	62cc/rev
Maximum pump flow rate	130 litre/min
Maximum working pressure	250 bar
Hydraulic tank capacity	380 litre

## 05. Chassis

Front Axle	11,900 kg
Rear Axle	12,000kg
Axle total	23,900 kg
Turning circle	7.9m

## 06. Brakes & Suspension

Brake System	Air operated drum brakes
Suspension	Elliptic springs with hydraulic spring lockouts on front axle

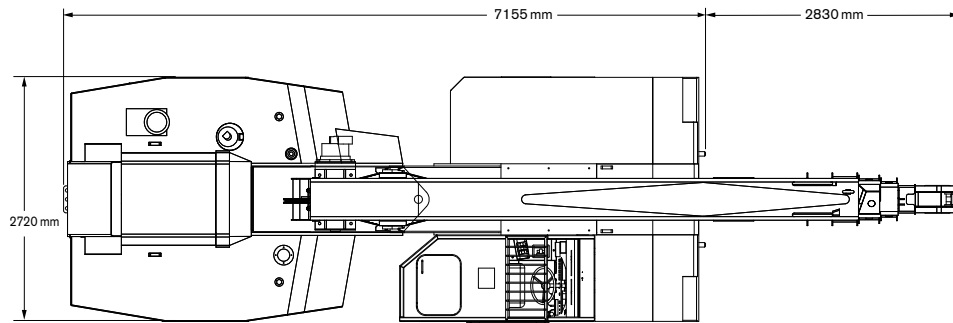
## 07. Vehicle Performance

Maximum rated travel speed	80 km/h
Gradeability	45%

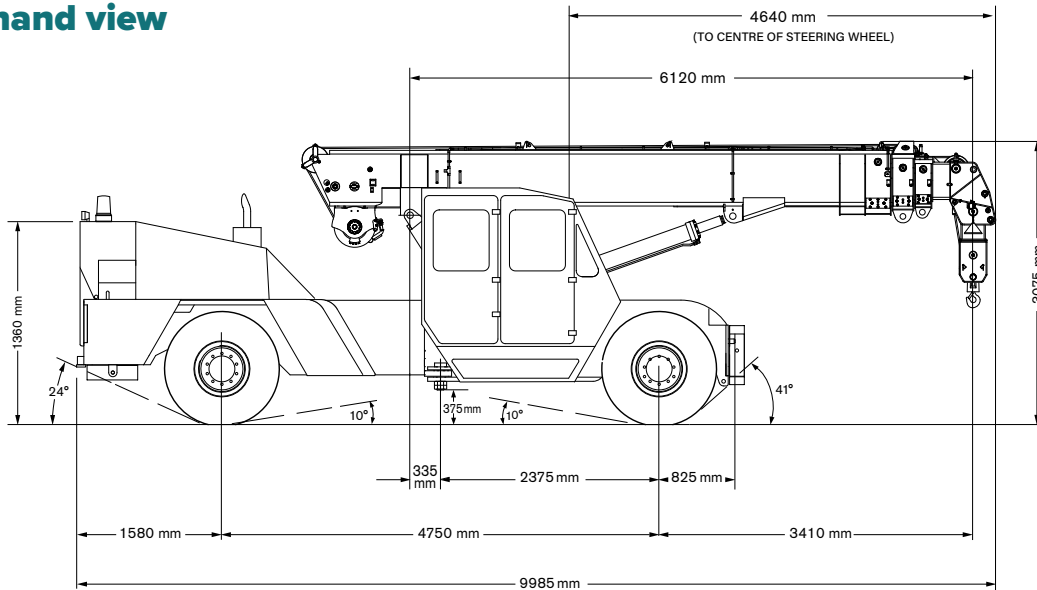


# DIMENSIONS / AREA OF OPERATION

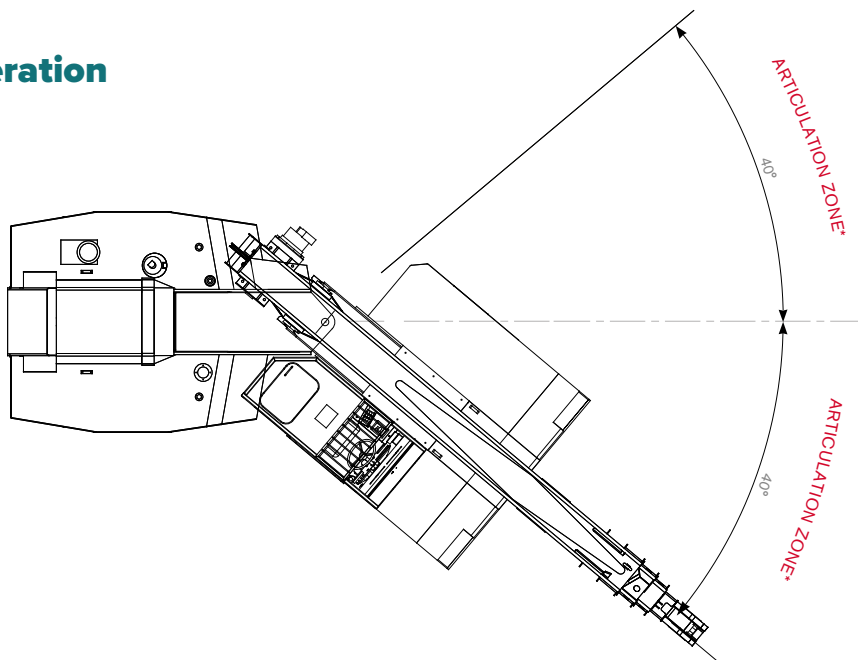
## Plan view



## Right hand view



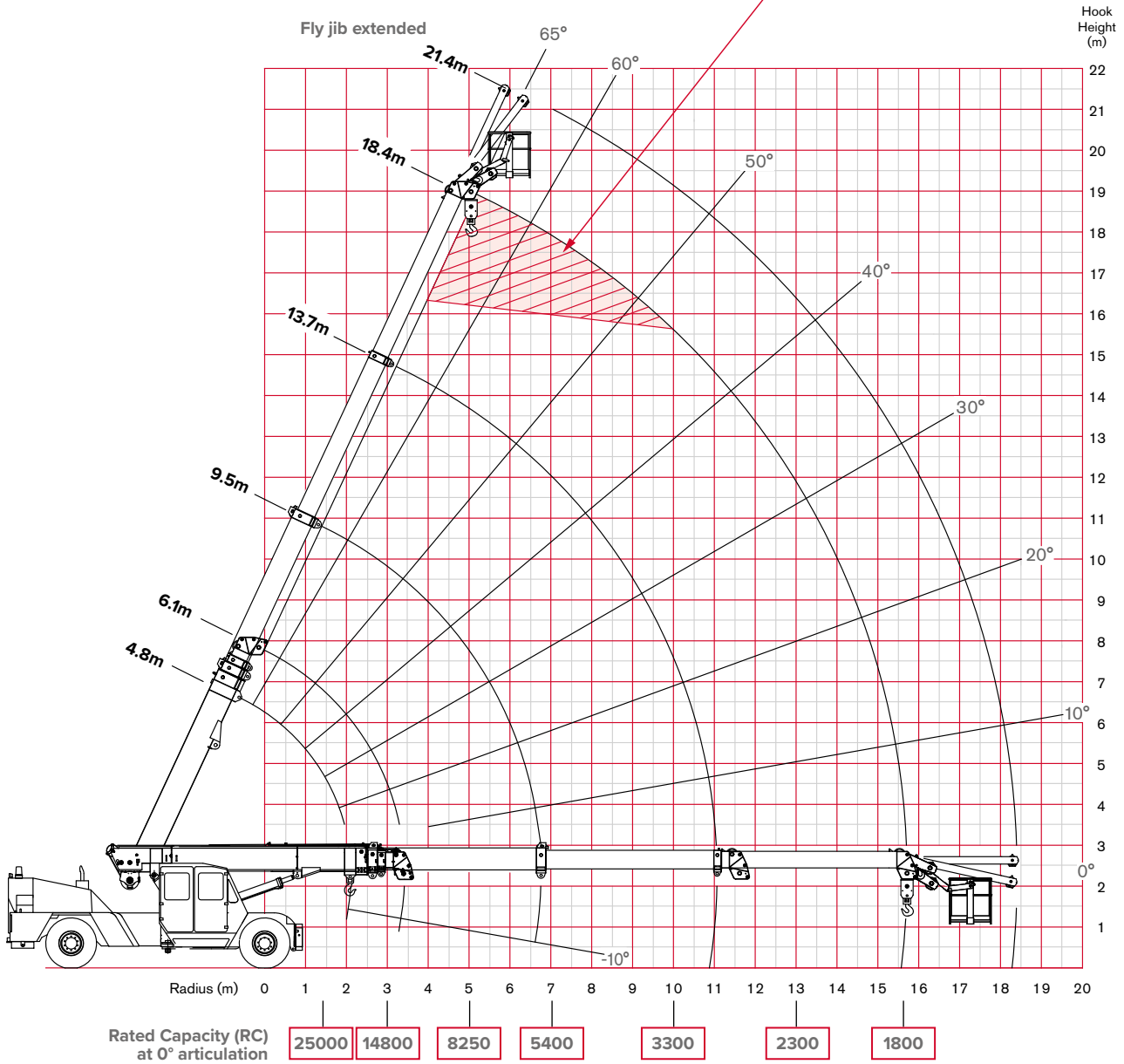
## Area of operation



# RADIUS LOAD CHART



Hook will not reach ground when boom head is in the region if the hook block is reeved on 6 parts



NOTE: Rated Capacity values shown are for the Pick and Carry Chart.



# MAC 25-4 WORKING



# OUR LOCATIONS



## Brisbane (Head Office)

Terex Australia Pty Ltd  
585 Curtin Avenue East (PO Box 1396)  
Eagle Farm QLD 4009, Australia

**Tel:** +61 7 3868 9600

**Fax:** +61 7 3268 2489

**Services:** Manufacturing, Sales, Service, Parts

## Sydney

Terex Australia Pty Ltd  
114 Hassall Street  
Wetherill Park NSW 2164, Australia

**Tel:** +61 2 8786 4444

**Fax:** +61 2 8786 4455

**Services:** Sales, Service, Parts

## Melbourne

Terex Australia Pty Ltd  
133 Logis Boulevard  
Dandenong South VIC 3175, Australia

**Tel:** +61 3 8794 4170

**Fax:** +61 3 9551 8143

**Services:** Sales, Service, Parts

## Perth

Terex Australia Pty Ltd  
39 Catalano Road  
Canning Vale WA 6155, Australia

**Tel:** +61 8 9232 0000

**Fax:** +61 8 9232 0051

**Services:** Sales, Service, Parts

**Tel:** 1800 837 395  
**Email:** [franna@terex.com](mailto:franna@terex.com)