

**Crane specification**

 Serial number **599xxx**  
 Year of construction **20xx**

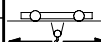
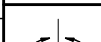

 Crane group : A3 as per FEM 1.001  
 Loadspectrum : Q1 as per FEM 1.001  
 Classification : U4 as per FEM 1.001  
 Stability : as per FEM 1.001

 Max. load  
**9,0 tonne**

 Max.radius  
with max. load  
**13 m**

 Max. capacity  
**117 tm**

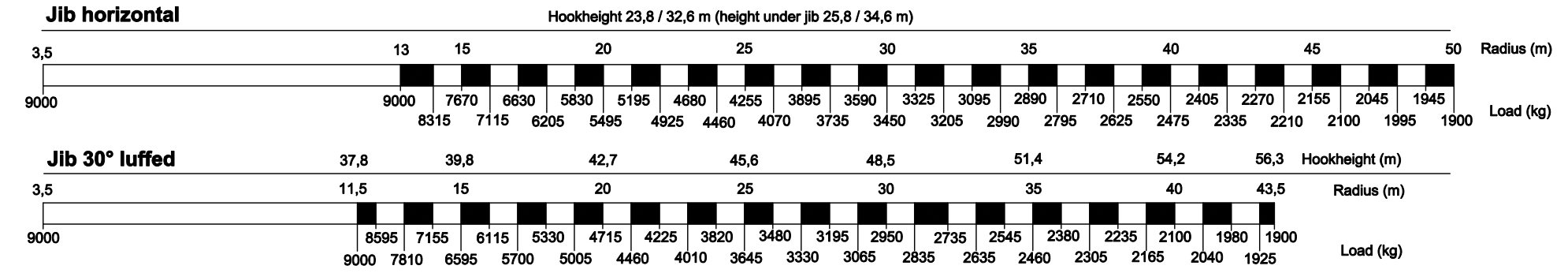
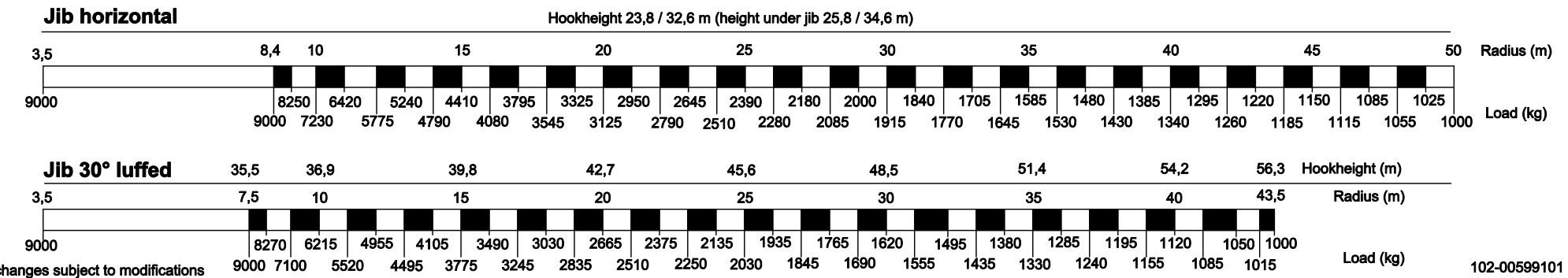
 Max. jib length  
**50 m**

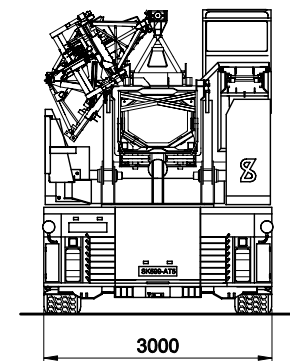
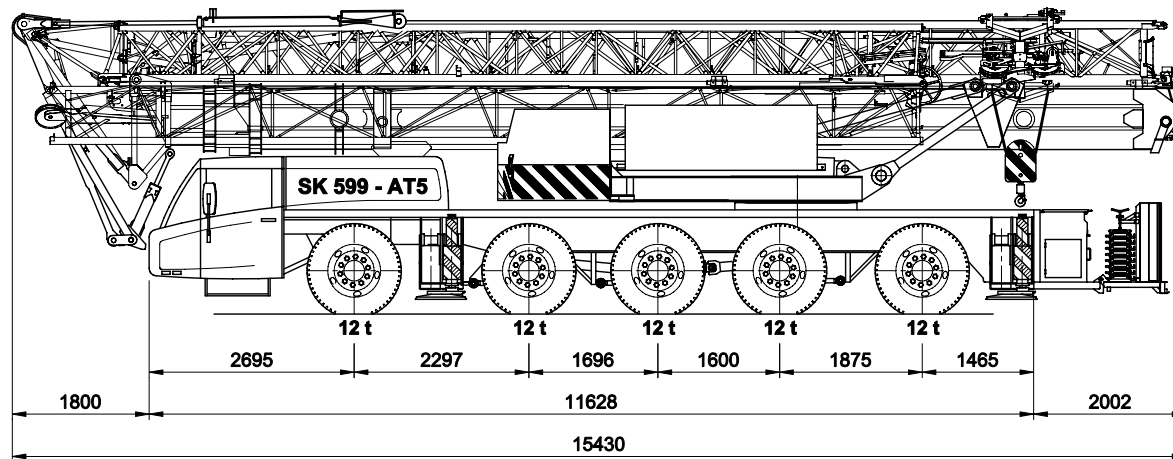
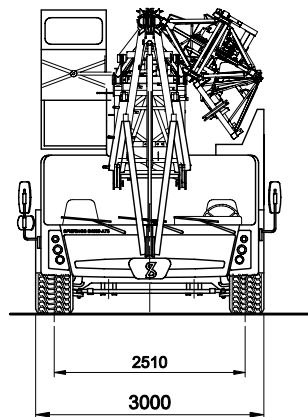
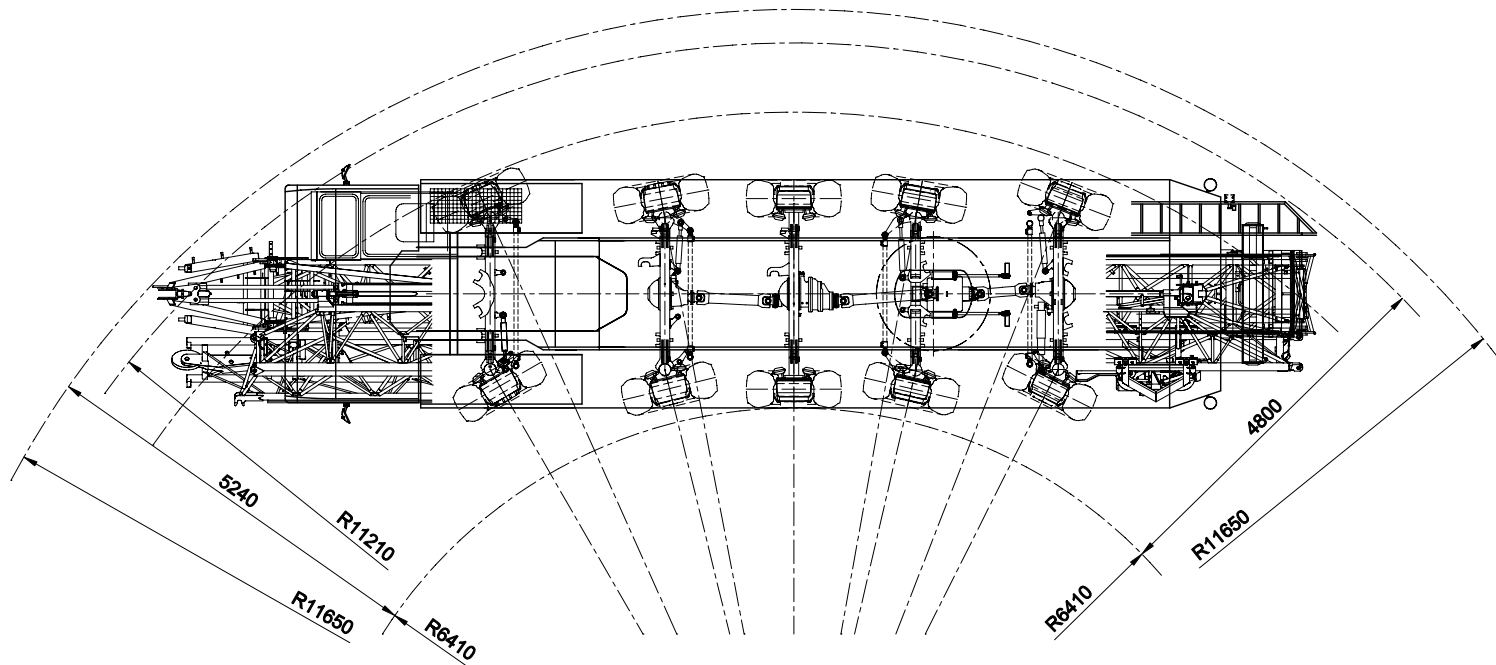
| Speeds |      | Jib horizontal / jib 30° luffed   |              |
|--------|------|---|--------------|
| m/min  | kg   |  |              |
| 20     | 9000 |  | 0 - 70 m/min |
| 32     | 4500 |   |              |
| 50     | 2250 |  | 0 - 0,9 rpm  |
| 75     | 0    |   |              |

 All motions with hydraulic proportional controls.  
 Luffing the jib 30° can be controlled from crane cab or by remote control.  
 The crane should be folded in at wind force 9 (Bf) (21 m/sec) or when not in use for a longer period.

 Counterweight crane: 10380 kg.  
 Continues slewing (360°) with outriggers out and support pads down.  
 Crane can be driven in its erected position under special conditions (refer user guide).

 Rated lift capacity is net capacity.  
 Always two parts of line.  
 Max. line pull force: 4500 kg.  
 Operating temperature range from: -15°C till + 40°C.  
 Sail area of the load max.: 1,0 m²/ ton.

 Outrigger positioned according to lifting chart  
 Outrigger support base : **7,50 m x 7,66 m**.  
 Operation allowed up to wind force 8 Bf (17 m/sec).  
 Outrigger support base : **7,50 m x 5,72 m**.  
 Operation allowed up to wind force 8 Bf (17 m/sec).  
**Max. outrigger force: 440kN.**
**Lifting chart      Outrigger support base 7,50 m x 7,66 m**

**Lifting chart      Outrigger support base 7,50 m x 5,72 m**




# Spierings Hydraulic Folding Crane

## SK 599 - AT5

Total weight: 60000 kg  
changes subject to modifications

**SPIERINGS**  
MOBILE CRANES

Merwedestraat 15  
5347 KZ Oss NL  
Tel. +31 (0)412-626964  
Fax +31 (0)412-645299  
[www.spieringscranes.com](http://www.spieringscranes.com)

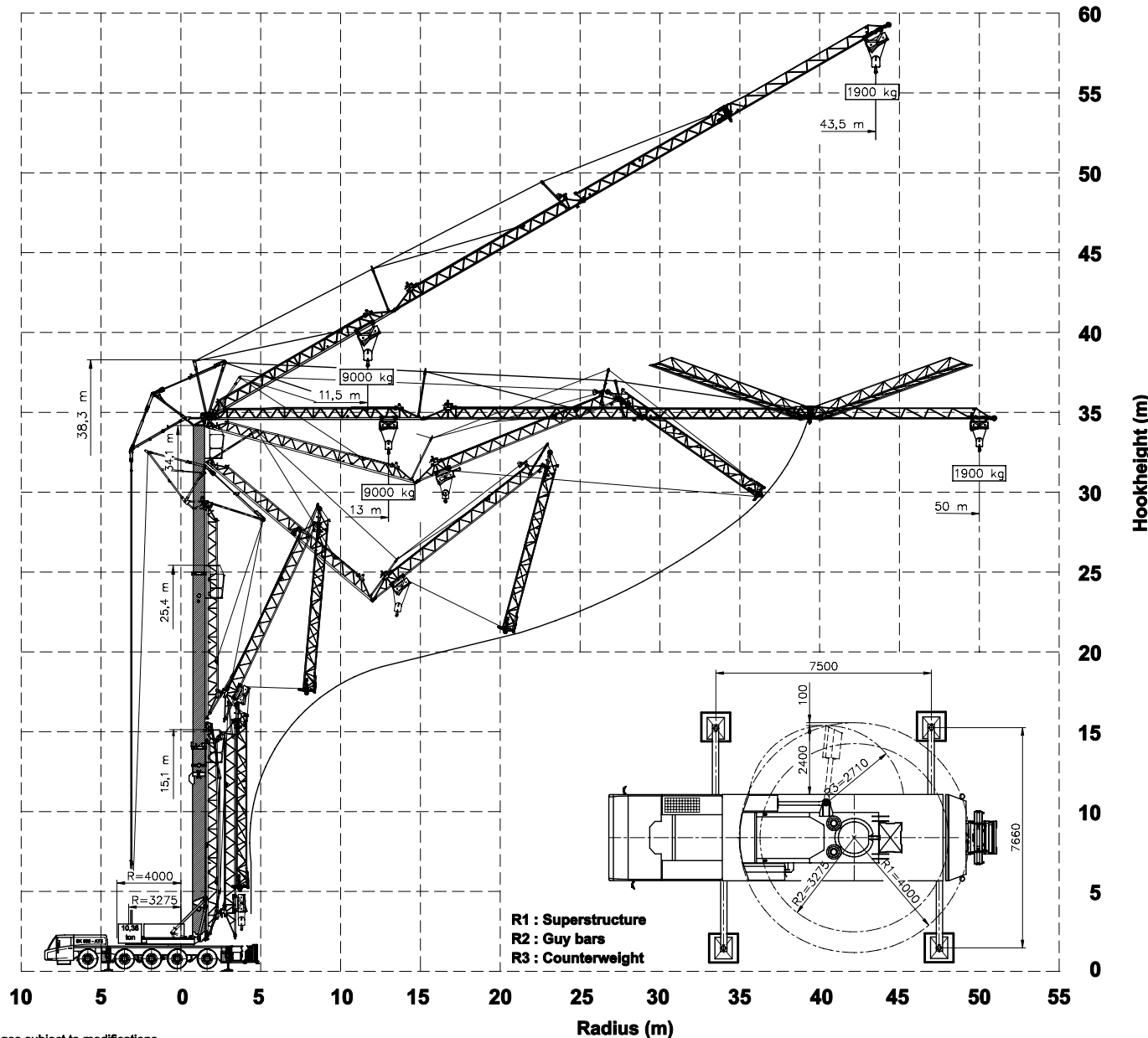
102-00599102

# SPIERINGS HYDRAULIC FOLDING CRANE SK599-AT5

599xxx

## Erection procedure of the crane

- Max. outrigger force : 440 kN
- Outrigger support pads : 750x600 mm
- Ground pressure : 1,00 N/mm<sup>2</sup>
- Jib can be unfolded through 360°
- Luffing the jib 30° can be controlled from the crane cab or remote control
- Outrigger support plates : 1000x1000 mm
- surface : 1,00 m<sup>2</sup>
- Ground pressure : 0,44 N/mm<sup>2</sup>



**SPIERINGS**  
**MOBILE CRANES**

Merwedestraat 15  
5347 KZ Oss NL  
Tel. +31 (0)412-626964  
Fax +31 (0)412-645299  
[www.spieringscranes.com](http://www.spieringscranes.com)

102-00599103

# SPIERINGS HYDRAULIC FOLDING CRANE

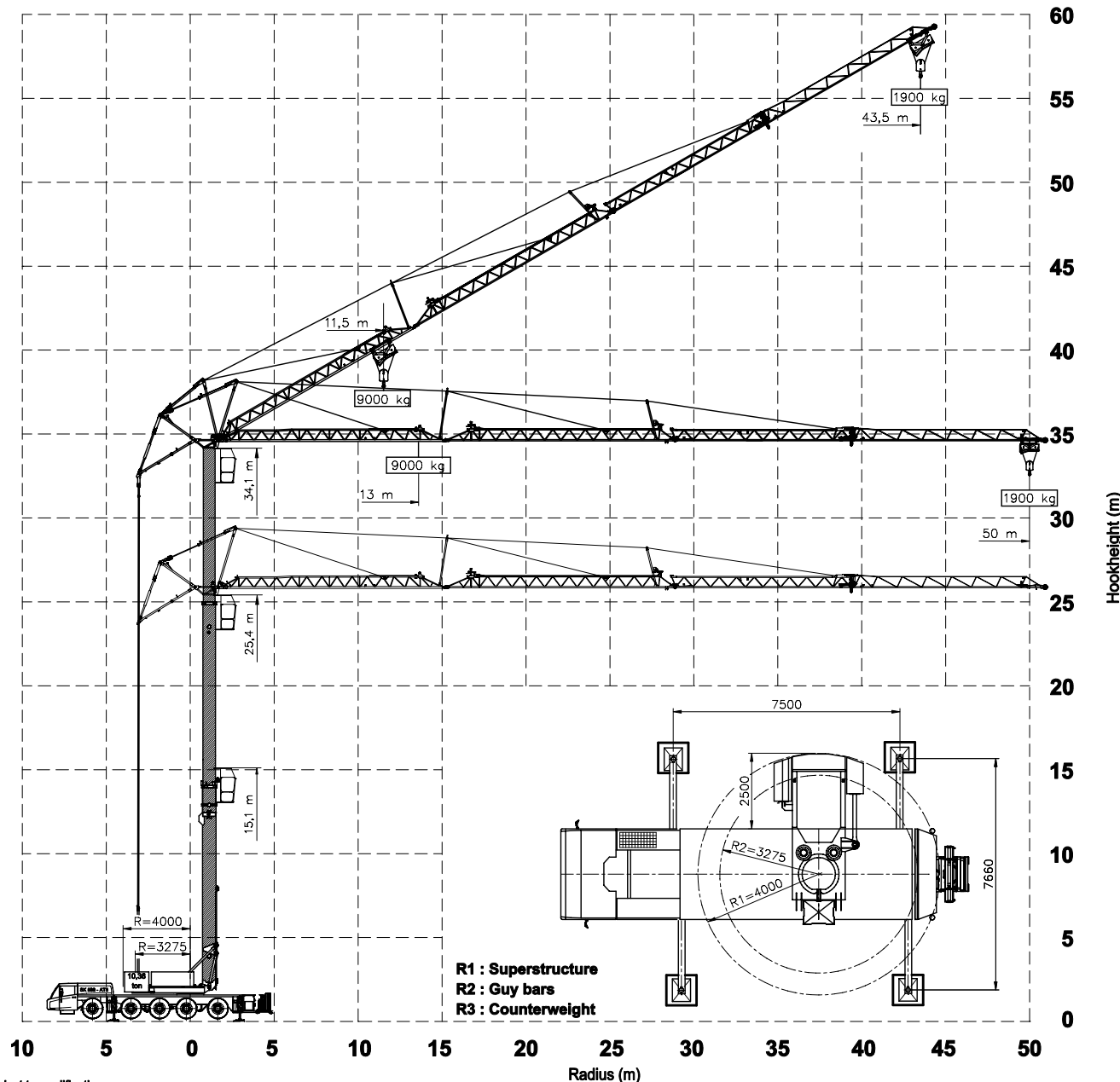
## SK599-AT5

599xxx

**Hoisting Specifications**

**Outrigger support base**

**7,50 m x 7,66 m**



**SPIERINGS**  
MOBILE CRANES

Merwedestraat 15  
5347 KZ Oss NL  
Tel. +31 (0)412-626964  
Fax +31 (0)412-645299  
[www.spieringscranes.com](http://www.spieringscranes.com)

102-00599104

# SPIERINGS HYDRAULIC FOLDING CRANE

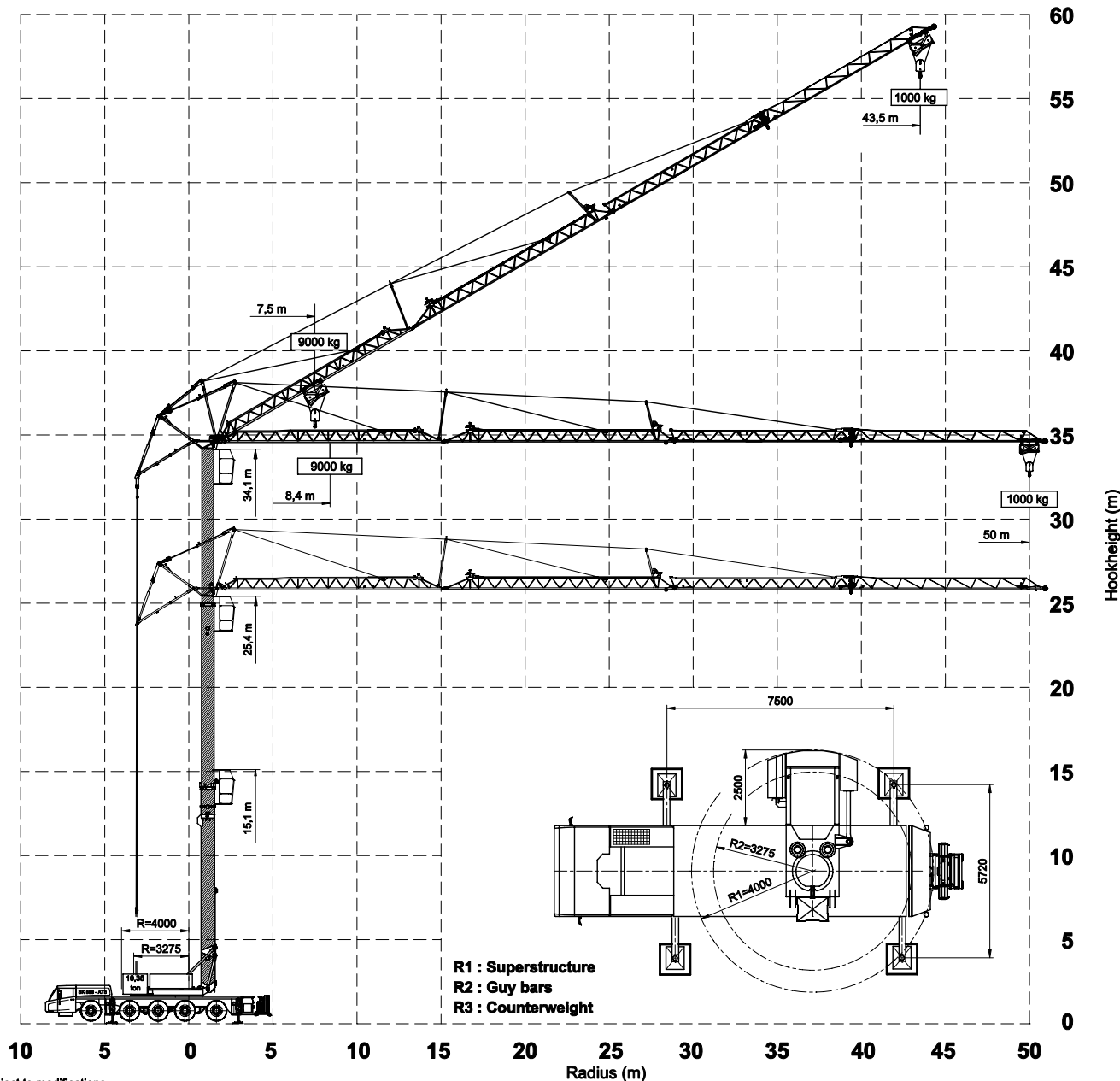
## SK599-AT5

599xxx

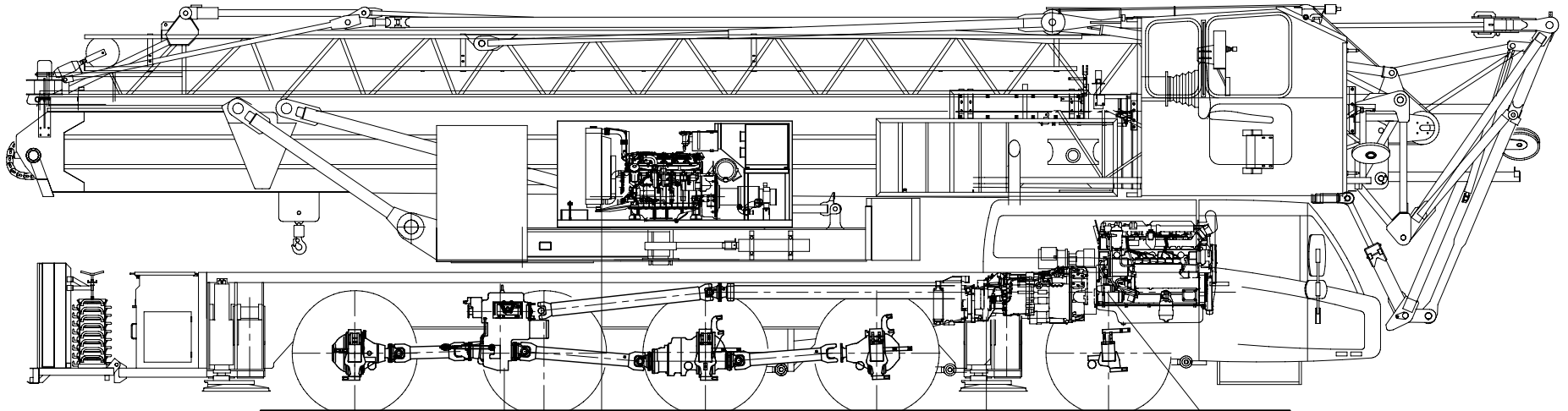
**Hoisting Specifications**

**Outrigger support base**

**7,50 m x 5,72 m**



Merwedestraat 15  
 5347 KZ Oss NL  
 Tel. +31 (0)412-626964  
 Fax +31 (0)412-645299  
[www.spieringcranes.com](http://www.spieringcranes.com)



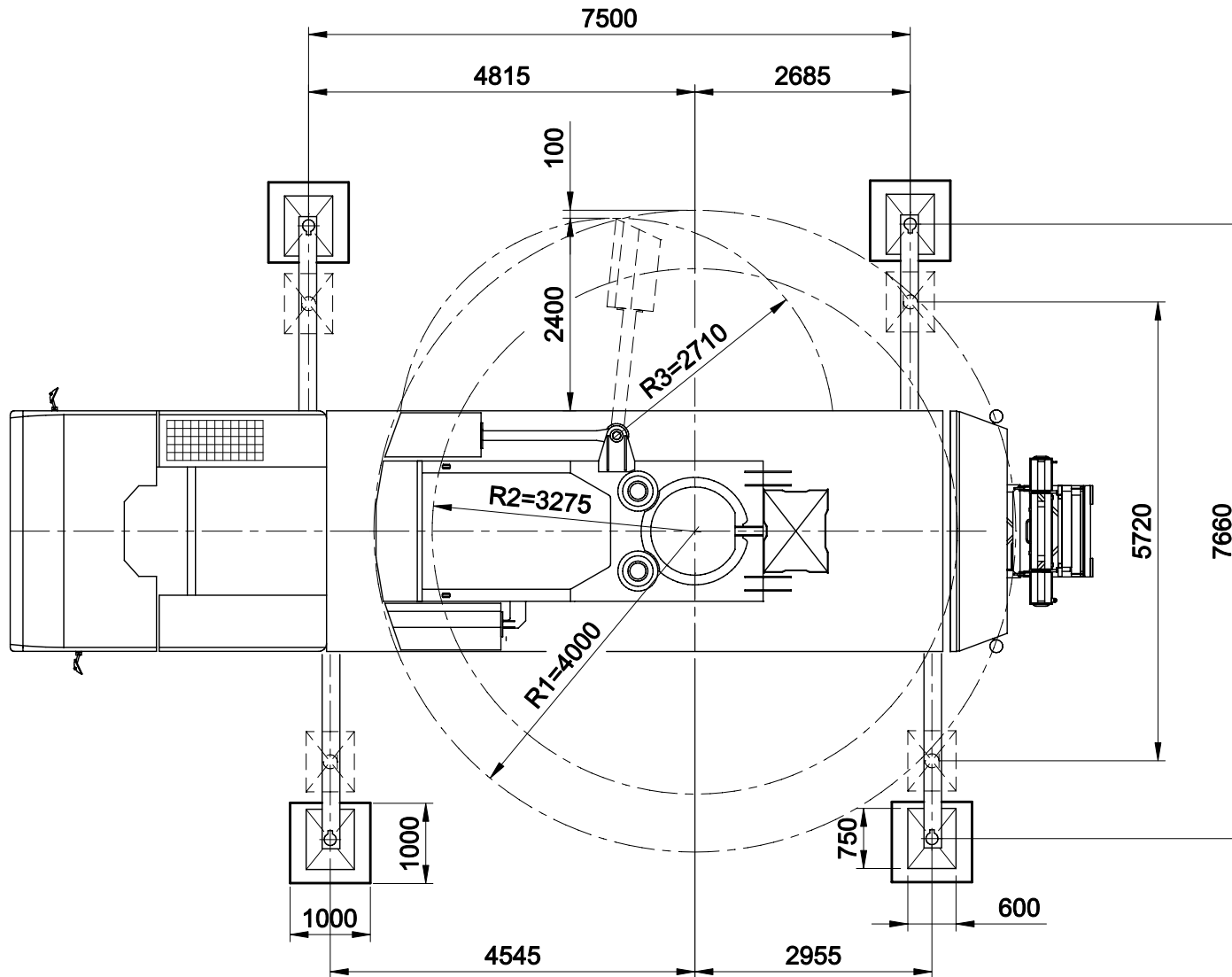
| Axle 5                                   |        | Axle 4 |  | Axle 3  |  | Axle 2 |                                | Axle 1                                   |  |
|--|--------|--------|--|---|--|--------|--------------------------------|--|--|
| <b>Transfer box:</b><br>STEYR VG2001/396 |        |        |  | <b>Crane diesel engine:</b><br>John Deere 4045HF475 |  |        |                                | <b>Gearbox:</b><br>ZF 16AS2601           |  |
| Road gear                                | i=0,89 |        |  | Power: 129 kW (2200 rpm)                            |  |        | Automatic                      |  |  |
| Off road gear                            | i=1,54 |        |  | Torque: 700 Nm (1400 rpm)                           |  |        | Dry plate clutch<br>+ retarder |  |  |
|  |        |        |  |   |  |        |                                | <b>Carrier diesel engine:</b><br>Euro IV |  |
|  |        |        |  |   |  |        |                                | DAF: MX 375 (12,9 ltr)                   |  |
|  |        |        |  |   |  |        |                                | Power: 375 kW (1900 rpm)                 |  |
|  |        |        |  |   |  |        |                                | Torque: 2500 Nm (1000-1410 rpm)          |  |

|  |   |                |
|--|---|----------------|
| Axle 1 : Steer axle                                      | Tyres   | : 445/75 R22,5 |
| Axle 2 : Steer drive axle (end reduction i=7,29)         | Suspension: hydro-pneumatic on all axles; stroke cyl. | : 247 mm       |
| Axle 3 : Drive axle , non steered (end reduction i=7,29) | Max. speed carrier                                    | : 85 km/h      |
| Axle 4 : Steer axle                                      | Min. speed carrier (engine at 1000 rpm)               | : 1,6 km/h     |
| Axle 5 : Steer drive axle (end reduction i=7,29)         | Overall weight  | : 60.000 kg.   |

## Drive train Spierings Folding Crane SK 599 - AT5

**SPIERINGS**  
MOBILE CRANES

Merwedestraat 15  
5347 KZ Oss NL  
Tel. +31 (0)412-626964  
Fax +31 (0)412-645299  
www.spieringscranes.com



**R1 : Superstructure**  
**R2 : Guy bars**  
**R3 : Counterweight**

# SPIERINGS

## HYDRAULIC FOLDING CRANE

### SK 599 - AT5

599xxx

#### Outrigger support base

|                          |                        |
|--------------------------|------------------------|
| Max. outrigger force     | 440 kN                 |
| Outrigger support pads   | 750x600 mm             |
| Ground pressure          | 1,00 N/mm <sup>2</sup> |
| Outrigger support plates | 1000x1000 mm           |
| Surface                  | 1,00 m <sup>2</sup>    |
| Ground pressure          | 0,44 N/mm <sup>2</sup> |


**SPIERINGS**  
**MOBILE CRANES**

Merwedestraat 15  
 5347 KZ Oss NL  
 Tel. +31 (0)412-626964  
 Fax +31 (0)412-645299  
[www.spieringscranes.com](http://www.spieringscranes.com)