

The Zoomlion logo consists of the word "ZOOMLION" in a bold, black, sans-serif font, centered within a solid green rectangular background.

**ZOOMLION**

ZOOMLION ZLJ5550JQZ100A TRUCK CRANE

# TECHNICAL SPECIFICATIONS

GQ0638502700101EN

Zoomlion Heavy Industry Science and Technology Co., Ltd.

# ZOOMLION ZLJ5550JQZ100A TRUCK CRANE

## TECHNICAL SPECIFICATIONS

GQ0638502700101EN

---

### **1 Product characteristics**

ZLJ5550JQZ100A truck crane is a new generation of high-performance products developed independently by our company to meet market demand, integrating years of experience and advanced technology. The crane's lifting height, main boom length, working speed, lifting capacity and other performance parameters are at the current international leading level.

The product is a full-swing, telescopic boom type, elector-hydraulic proportional control truck crane, using the company's own full drive five-axle special chassis, wide field of vision, luxury and comfortable decoration, 10 × 6 drive, hydraulic power steering, light and flexible.

The product adopts the electro-hydraulic proportional reversing valve with load feedback and variable pump plus gear pump system, which makes the working capacity of each actuator give full play to the electro-hydraulic proportional operation, which can realize the combined action between the main and secondary lifting, luffing, slewing and telescoping mechanisms, greatly improving the efficiency of the crane. With light and flexible operation, smooth and reliable work, stepless speed control and other characteristics. In the hydraulic system, there are safety devices such as overflow valve, balance valve, hydraulic lock, brake valve, etc. to prevent overload of the oil circuit and avoid accidents caused by oil pipe rupture.

The crane is equipped with a variety of safety devices such as torque limiter and complete lighting system, which can ensure safe and reliable operation and facilitate night operation.

The product is novel in shape, integrating beauty of form, line and color.

### **2 Complete machine specifications**

#### **2.1 Product Model**

Automotive industry model: ZLJ5550JQZ100A

Engineering industry models: ZTC1000A7

Product feature number: ZTC1000A763

## 2.2 Technical data

Item		Value	Remarks	
Work performance	Max. rated lifting	kg	100000	
	Max. load moment of basic boom	kN.m	3880	
	Max. load moment of main boom	kN.m	1592	
	Max. lifting height of basic boom	m	15.1	
	Max. lifting height of main boom	m	75.6	
	Max. lifting height of jib	m	86.7	Boom length 68.9m
	Max. lifting height of jib (Optional 9.5m extension boom)	m	96.1	Boom length 68.9m
Work speeds	Max. hoist rope speed (Main winch)	m/min	130	
	Max. hoist rope speed(Auxiliary winch)	m/min	110	
	Boom derricking up time	s	80	
	Boom extending time	s	820	
	Slewing speed	r/min	0-1.6	
Driving	Max. driving speed	km/h	≥85	
	Max. gradeability	%	42	
	Min. turning diameter	m	24	
	Min. ground clearance	mm	282	
	Fuel consumption per 100 km	L	46	
Mass	Deadweight in driving condition	kg	54600	
	Complete vehicle kerb	kg	54405	
	Axle load (axles I and II)	kg	24000	
	Axle load (axles III, IV )	kg	20600	
	Axle load (axles V )	kg	10000	
Dimensions	Overall dimensions (L×W×H)	mm	16000×2840×3910	
	Outrigger spread (W)	m	7.05	
	Outrigger spread (L)	m	8.0	Completely extended
	Tail turning radius	mm	4760	
	Main boom length	m	13.7-75.0	
	Boom angle	°	-1-80	
	Jib length	m	10.4, 17.5	
	Offset	°	0, 15, 30	
	Jib length	m	9.5	Optional
	Offset	°	0	
	Tip boom length	m	3	Optional
Tip boom angle	°	30		

### **2.3 Rated lifting capacity table**

The crane has a variety of rated lifting capacity tables for different use conditions, the operator should select the corresponding rated lifting capacity table to determine the rated lifting capacity according to the actual operating conditions.

- a) When the rated lifting capacity is  $\leq 60t$ , use 60t hook.
- b) When  $60t < \text{rated lifting capacity} \leq 70t$ , use 70t hook.
- c) When the rated lifting capacity is  $70t < 80t$ , use 80t hook with working multiplier of 13 and need to install special device.
- d) When the rated lifting capacity  $> 80t$ , use 90t hook, the working multiplier is 13, and need to install special device.

Table 1 Main boom

Unit: t

Outriggers completely extended 8 m, with 40t counterweight, side and rear operations														
Working radius (m)	Boom length (m)												Working radius (m)	
	13.7★	18.3	18.3	18.3	18.3	18.3★	22.9	22.9	22.9	22.9	22.9	22.9★		
3.0	100.0	40.5	65.0	85.0	85.0	85.0								3.0
3.5	92.0	38.5	60.0	82.0	82.0	82.0	28.0	42.0	60.0	73.0	76.0	76.0	76.0	3.5
4.0	85.0	36.0	56.0	77.0	79.0	79.0	26.0	39.0	56.0	68.0	73.0	73.0	73.0	4.0
4.5	80.0	34.5	52.0	72.0	77.0	77.0	24.5	37.0	52.0	63.0	70.0	70.0	70.0	4.5
5.0	74.0	33.0	49.0	67.0	71.0	71.0	23.0	34.5	49.0	60.0	68.0	68.0	68.0	5.0
6.0	66.0	31.0	43.0	58.0	63.0	63.0	21.0	31.0	43.0	56.0	63.0	63.0	63.0	6.0
7.0	56.0	27.5	38.0	53.0	54.0	54.0	19.0	28.0	39.0	47.5	54.0	54.0	54.0	7.0
8.0	48.0	25.5	35.0	46.0	47.0	47.0	17.0	25.0	35.0	43.0	48.0	48.0	48.0	8.0
9.0	42.0	23.5	32.0	40.5	41.5	42.0	16.0	23.0	32.0	39.5	42.0	42.0	42.0	9.0
10.0	36.5	22.0	29.0	36.0	37.0	37.5	15.0	21.0	29.5	36.0	38.0	38.0	38.0	10.0
11.0		21.0	27.0	34.5	36.0	35.5	13.8	19.5	27.5	33.5	34.0	33.5	33.5	11.0
12.0		20.0	25.0	29.0	30.0	29.5	13.0	18.5	25.5	31.0	31.5	30.5	30.5	12.0
14.0		18.0	22.0	24.5	25.5	25.0	11.5	16.0	22.5	27.0	27.5	26.5	26.5	14.0
16.0							10.3	14.5	20.0	24.0	23.5	22.5	22.5	16.0
18.0							9.3	13.0	18.0	20.5	19.7	18.4	18.4	18.0
Reeving	12	12					12					Reeving		
Hook	60t Anchor Hook													Hook
Telescoping mode	I	1	1	1	1	1	1	1	1	1	1	1	2	I
	II	1	1	1	1	1	2	1	1	1	1	2	2	II
	III	1	1	1	1	2	1	1	1	1	2	2	1	III
	IV	1	1	1	2	1	1	1	1	2	2	1	1	IV
	V	1	1	2	1	1	1	1	2	2	1	1	1	V
	VI	1	2	1	1	1	1	3	2	1	1	1	1	VI

Table 2 Main boom

Unit: t

Outriggers completely extended 8 m, with 40t counterweight, side and rear operations														
Working radius (m)	Boom length (m)												Working radius (m)	
	27.5	27.5	27.5	27.5	27.5	27.5	32.1	32.1	32.1	32.1	32.1	32.1		
3.0														3.0
3.5														3.5
4.0														4.0
4.5	22.5	22.5	40.5	56.0	67.0	67.0								4.5
5.0	21.5	21.5	38.5	52.0	64.0	64.0								5.0
6.0	19.0	19.0	34.5	46.5	58.0	58.0	16.5	21.0	23.5	37.5	52.0	53.0		6.0
7.0	17.4	17.4	31.5	42.0	52.0	52.0	15.0	19.0	21.0	34.0	48.0	50.0		7.0
8.0	15.8	15.8	28.8	38.0	46.0	46.0	13.7	17.5	19.0	31.5	43.5	46.0		8.0
9.0	14.5	14.5	26.5	34.5	41.0	41.0	12.6	16.2	17.6	29.5	40.5	42.0		9.0
10.0	13.4	13.4	24.5	31.8	37.0	36.5	11.6	15.0	16.2	27.5	37.0	37.5		10.0
11.0	12.4	12.4	23.0	29.4	32.5	32.0	10.7	14.0	15.0	25.5	33.5	34.0		11.0
12.0	11.5	11.5	21.5	27.4	30.5	30.5	10.0	13.0	14.0	24.0	30.5	31.0		12.0
14.0	10.3	10.1	19.0	23.8	27.0	25.5	8.8	11.6	12.2	21.5	25.5	26.5		14.0
16.0	9.2	9.0	17.0	21.1	24.7	23.2	7.8	10.3	10.8	19.0	23.0	23.5		16.0
18.0	8.3	8.1	15.4	18.9	20.5	19.1	7.0	9.4	9.6	17.0	21.0	19.8		18.0
20.0	7.5	7.4	14.0	17.2	17.2	15.8	6.3	8.5	8.7	15.5	18.0	16.5		20.0
22.0	6.8	6.7	13.0	15.6	14.6	13.2	5.7	7.8	7.9	14.0	15.4	14.0		22.0
24.0							5.2	7.1	7.2	13.0	13.3	11.9		24.0
26.0							4.8	6.5	6.6	12.0	11.5	10.1		26.0
Reeving	11						9						Reeving	
Hook	60t Anchor Hook												Hook	
Telescoping mode	I	1	1	1	1	1	2	1	1	1	1	1	2	I
	II	1	1	1	1	2	2	1	1	1	1	2	2	II
	III	1	1	1	2	2	2	1	1	1	2	2	2	III
	IV	1	1	2	2	2	1	1	2	3	2	2	2	IV
	V	2	3	2	2	1	1	3	3	2	2	2	1	V
	VI	3	2	2	1	1	1	3	2	2	2	1	1	VI

Table 3 Main boom

Unit: t

Outriggers completely extended 8 m, with 40t counterweight, side and rear operations														
Working radius (m)	Boom length (m)												Working radius (m)	
	36.7 7	36.7 7	36.7	36.7	36.7	36.7 ★	41.3	41.3	41.3	41.3	41.3	41.3 ★		
3.0														3.0
3.5														3.5
4.0														4.0
4.5														4.5
5.0														5.0
5.5														5.5
6.0														6.0
7.0	16.0	19.0	23.0	23.5	37.5	48.0								7.0
8.0	15.0	17.1	21.0	21.5	35.0	46.0	15.0	18.0	19.5	23.5	30.0	37.0		8.0
9.0	13.8	15.6	19.5	19.5	32.5	42.0	14.0	16.8	18.0	22.0	27.8	34.8		9.0
10.0	12.8	14.4	18.0	18.0	30.5	39.0	12.8	15.4	16.5	20.3	25.7	32.5		10.0
11.0	11.9	13.3	16.6	16.6	28.7	36.0	11.8	14.3	15.4	18.9	23.8	30.5		11.0
12.0	11.2	12.3	15.5	15.5	27.2	33.0	11.0	13.3	14.2	17.6	22.0	28.8		12.0
14.0	9.8	10.7	13.6	13.5	24.2	28.0	9.6	11.6	12.3	15.4	19.3	25.7		14.0
16.0	8.8	9.5	12.0	11.8	21.5	24.0	8.4	10.3	10.8	13.7	17.1	23.0		16.0
18.0	7.9	8.4	10.7	10.5	19.3	20.6	7.5	9.2	9.6	12.3	15.2	20.8		18.0
20.0	7.2	7.6	9.6	9.5	17.5	17.3	6.7	8.3	8.6	11.0	13.7	18.0		20.0
22.0	6.5	6.8	8.7	8.6	16.0	14.7	6.1	7.5	7.7	10.0	12.4	15.4		22.0
24.0	6.0	6.2	7.9	7.8	14.0	12.6	5.5	6.8	7.0	9.2	11.3	13.2		24.0
26.0	5.5	5.6	7.3	7.1	12.2	10.9	5.0	6.2	6.3	8.4	10.3	11.5		26.0
28.0	5.1	5.2	6.7	6.5	10.8	9.5	4.6	5.7	5.8	7.8	9.5	10.1		28.0
30.0	4.7	4.8	6.1	6.0	9.6	8.3	4.2	5.2	5.3	7.2	8.8	8.9		30.0
32.0							3.9	4.8	4.9	6.7	8.1	7.9		32.0
34.0							3.6	4.4	4.5	6.2	7.2	7.0		34.0
Reeving	8						6						Reeving	
Hook	60t Anchor Hook												Hook	
Telescoping mode	I	1	1	1	1	1	2	1	1	1	1	1	2	I
	II	1	1	1	1	2	2	1	1	1	2	3	2	II
	III	1	1	2	3	2	2	1	2	3	3	2	2	III
	IV	2	3	3	2	2	2	3	3	3	2	2	2	IV
	V	3	3	2	2	2	2	3	3	2	2	2	2	V
	VI	3	2	2	2	2	1	3	2	2	2	2	2	VI

Table 4 Main boom

Unit: t

Outriggers completely extended 8 m, with 40t counterweight, side and rear operations														
Working radius (m)	Boom length (m)												Working radius (m)	
	45.9	45.9	45.9	45.9	45.9	45.9★		50.5	50.5	50.5	50.5	50.5★		
3.0														3.0
3.5														3.5
4.0														4.0
4.5														4.5
5.0														5.0
5.5														5.5
6.0														6.0
7.0														7.0
8.0														8.0
9.0	14.5	16.0	19.5	23.0	27.0	27.5								9.0
10.0	13.5	15.0	18.0	21.5	25.5	26.0								10.0
11.0	12.6	13.8	16.8	20.0	24.0	24.5		12.5	14.5	17.0	20.0	21.5		11.0
12.0	11.8	12.8	15.6	18.7	22.5	23.0		11.5	13.5	16.0	19.0	20.5		12.0
14.0	10.3	11.0	13.6	16.5	19.7	20.3		10.2	12.0	14.0	17.0	18.0		14.0
16.0	9.2	9.7	12.0	14.5	17.4	18.0		9.0	10.8	12.5	15.3	16.2		16.0
18.0	8.2	8.6	10.7	13.0	15.6	16.2		8.0	9.6	11.3	13.7	14.6		18.0
20.0	7.4	7.7	9.6	11.8	14.0	14.4		7.2	8.6	10.2	12.5	13.2		20.0
22.0	6.7	6.9	8.7	10.7	12.6	13.0		6.4	7.7	9.2	11.3	11.9		22.0
24.0	6.1	6.2	7.8	9.7	11.3	11.7		5.8	7.0	8.3	10.2	10.7		24.0
26.0	5.5	5.6	7.1	8.9	10.3	10.6		5.3	6.4	7.7	9.3	9.6		26.0
28.0	5.1	5.1	6.5	8.1	9.5	9.5		4.8	5.8	7.1	8.5	8.7		28.0
30.0	4.7	4.7	6.0	7.4	8.7	8.4		4.4	5.3	6.5	7.7	7.9		30.0
32.0	4.3	4.3	5.5	6.8	7.7	7.4		4.0	4.9	6.0	7.1	7.1		32.0
34.0	4.0	3.9	5.1	6.3	6.8	6.5		3.7	4.5	5.5	6.5	6.4		34.0
36.0	3.7	3.6	4.7	5.8	6.0	5.7		3.4	4.2	5.1	6.0	5.6		36.0
38.0	3.5	3.3	4.4	5.4	5.3	5.0		3.1	3.9	4.7	5.4	4.9		38.0
40.0								2.9	3.6	4.3	4.8	4.3		40.0
42.0								2.7	3.3	4.0	4.2	3.7		42.0
Reeving	5							4						Reeving
Hook	60t Anchor Hook												Hook	
Telescoping mode	I	1	1	1	1	2	3		1	1	1	2	3	I
	II	1	1	2	3	3	2		1	2	3	3	3	II
	III	2	3	3	3	2	2		3	3	3	3	2	III
	IV	3	3	3	2	2	2		3	3	3	2	2	IV
	V	3	3	2	2	2	2		3	3	2	2	2	V
	VI	3	2	2	2	2	2		3	2	2	2	2	VI



Table 5 Main boom

Unit: t

Outriggers completely extended 8 m, with 40t counterweight, side and rear operations														
Working radius (m)	Boom length (m)												Working radius (m)	
	55.1	55.1	55.1	55.1★	59.7	59.7	59.7★		64.3	64.3★	68.9★	75.0★		
5.0														5.0
5.5														5.5
6.0														6.0
7.0														7.0
8.0														8.0
9.0														9.0
10.0														10.0
11.0														11.0
12.0	12.5	14.0	16.5	18.0										12.0
14.0	11.0	12.6	14.8	16.2	11.0	13.0	14.0							14.0
16.0	9.8	11.2	13.2	14.7	10.0	11.5	12.6		10.0	11.0				16.0
18.0	8.8	10.1	11.8	13.2	9.2	10.5	11.6		9.5	10.0	8.8			18.0
20.0	8.0	9.1	10.7	11.8	8.4	9.5	10.6		8.7	9.2	8.2	6.8		20.0
22.0	7.2	8.3	9.8	10.6	7.7	8.7	9.8		8.0	8.5	7.7	6.7		22.0
24.0	6.5	7.6	9.0	9.8	7.0	8.0	9.0		7.4	7.9	7.2	6.6		24.0
26.0	5.9	6.9	8.2	9.0	6.4	7.4	8.3		6.8	7.3	6.7	6.2		26.0
28.0	5.4	6.3	7.6	8.2	5.9	6.8	7.6		6.3	6.8	6.3	5.8		28.0
30.0	5.0	5.8	7.0	7.4	5.4	6.3	7.0		5.8	6.3	5.8	5.4		30.0
32.0	4.6	5.4	6.5	6.7	5.0	5.8	6.4		5.4	5.9	5.4	5.0		32.0
34.0	4.2	5.0	6.0	6.1	4.6	5.4	5.8		5.0	5.5	5.0	4.7		34.0
36.0	3.9	4.6	5.5	5.5	4.3	5.0	5.3		4.6	5.1	4.7	4.4		36.0
38.0	3.6	4.2	5.0	5.0	4.0	4.6	4.8		4.3	4.7	4.4	4.1		38.0
40.0	3.3	3.9	4.6	4.4	3.7	4.3	4.3		4.0	4.3	4.1	3.8		40.0
42.0	3.1	3.6	4.3	3.8	3.4	4.0	4.0		3.7	3.9	3.8	3.5		42.0
44.0	2.9	3.3	3.9	3.3	3.1	3.7	3.6		3.5	3.6	3.5	3.2		44.0
46.0	2.7	3.1	3.4	2.8	2.9	3.4	3.1		3.2	3.3	3.2	2.9		46.0
48.0	2.5	2.9	3.0	2.4	2.7	3.1	2.7		3.0	3.0	2.9	2.7		48.0
50.0					2.5	2.9	2.3		2.8	2.7	2.7	2.5		50.0
52.0					2.3	2.6	2.0		2.6	2.3	2.5	2.3		52.0
54.0									2.4	1.9	2.3	2.2		54.0
56.0									2.2	1.6	2.0	2.0		56.0
58.0											1.7	1.7		58.0
60.0											1.4	1.5		60.0
62.0												1.3		62.0
Reeving	3								3				Reeving	
Hook	60t Anchor Hook												Hook	
Telescoping mode	I	1	1	2	3	1	2	3		2	3	3	4	I
	II	2	3	3	3	3	3	3		3	3	3	4	II
	III	3	3	3	3	3	3	3		3	3	3	4	III
	IV	3	3	3	2	3	3	3		3	3	3	4	IV
	V	3	3	2	2	3	3	2		3	3	3	4	V
	VI	3	2	2	2	3	2	2		3	2	3	4	VI

Table 6 Main boom

Unit: t

Outriggers completely extended 8 m, with 27t counterweight, side and rear operations															
Working radius (m)	Boom length (m)												Working radius (m)		
	13.7★	18.3	18.3	18.3	18.3	18.3	22.9	22.9	22.9	22.9	22.9	22.9★			
3.0	100.0	40.5	65.0	85.0	85.0	85.0								3.0	
3.5	92.0	38.5	60.0	82.0	82.0	82.0	28.0	42.0	60.0	73.0	76.0	76.0		3.5	
4.0	85.0	36.0	56.0	77.0	79.0	79.0	26.0	39.0	56.0	68.0	73.0	73.0		4.0	
4.5	80.0	34.5	52.0	72.0	77.0	77.0	24.5	37.0	52.0	63.0	70.0	70.0		4.5	
5.0	74.0	33.0	49.0	67.0	71.0	71.0	23.0	34.5	49.0	60.0	68.0	68.0		5.0	
6.0	65.0	31.0	43.0	58.0	63.0	63.0	21.0	31.0	43.0	56.0	63.0	63.0		6.0	
7.0	55.0	27.5	38.0	53.0	54.0	52.0	19.0	28.0	39.0	47.5	54.0	54.0		7.0	
8.0	45.0	25.5	35.0	46.0	47.0	45.0	17.0	25.0	35.0	43.0	48.0	48.0		8.0	
9.0	39.0	23.5	32.0	40.5	39.5	39.5	16.0	23.0	32.0	39.5	40.0	40.0		9.0	
10.0	34.0	22.0	29.0	36.0	35.0	35.0	15.0	21.0	29.5	36.0	36.0	36.0		10.0	
11.0		21.0	27.0	32.5	33.5	33.0	13.8	19.5	27.5	33.5	33.0	32.0		11.0	
12.0		20.0	25.0	27.0	27.5	27.0	13.0	18.5	25.5	31.0	30.5	29.0		12.0	
14.0		18.0	22.0	22.5	23.0	22.5	11.5	16.0	22.5	23.5	23.0	21.5		14.0	
16.0							10.3	14.5	19.5	19.0	18.0	16.5		16.0	
18.0							9.3	13.0	15.5	15.0	14.0	12.5		18.0	
Reevin	12	12					12							Reeving	
Hook	60t Anchor Hook													Hook	
Telescoping mode	I	1	1	1	1	1	1	1	1	1	1	1	2	I	Telescoping mode
	II	1	1	1	1	1	2	1	1	1	1	2	2	II	
	III	1	1	1	1	2	1	1	1	1	2	2	1	III	
	IV	1	1	1	2	1	1	1	1	2	2	1	1	IV	
	V	1	1	2	1	1	1	1	2	2	1	1	1	V	
	VI	1	2	1	1	1	1	3	2	1	1	1	1	VI	

Table 7 Main boom

Unit: t

Outriggers completely extended 8 m, with 27t counterweight, side and rear operations															
Working radius (m)	Boom length (m)												Working radius (m)		
	27.5	27.5	27.5	27.5	27.5	27.5★	32.1	32.1	32.1	32.1	32.1	32.1★			
3.0														3.0	
3.5														3.5	
4.0														4.0	
4.5	22.5	22.5	40.5	56.0	67.0	67.0								4.5	
5.0	21.5	21.5	38.5	52.0	64.0	64.0								5.0	
6.0	19.0	19.0	34.5	46.5	58.0	58.0	16.5	21.0	23.5	37.5	52.0	53.0		6.0	
7.0	17.4	17.4	31.5	42.0	52.0	52.0	15.0	19.0	21.0	34.0	48.0	50.0		7.0	
8.0	15.8	15.8	28.8	38.0	46.0	46.0	13.7	17.5	19.0	31.5	43.5	46.0		8.0	
9.0	14.5	14.5	26.5	34.5	41.0	40.0	12.6	16.2	17.6	29.5	40.5	42.0		9.0	
10.0	13.4	13.4	24.5	31.8	37.0	36.0	11.6	15.0	16.2	27.5	37.0	36.0		10.0	
11.0	12.4	12.4	23.0	29.4	32.0	31.5	10.7	14.0	15.0	25.5	33.5	33.0		11.0	
12.0	11.5	11.5	21.5	27.4	30.0	29.5	10.0	13.0	14.0	24.0	30.5	30.0		12.0	
14.0	10.3	10.1	19.0	23.8	24.0	22.5	8.8	11.6	12.2	21.5	24.5	23.0		14.0	
16.0	9.2	9.0	17.0	19.0	19.0	17.5	7.8	10.3	10.8	19.0	20.0	18.5		16.0	
18.0	8.3	8.1	15.4	16.5	15.5	14.0	7.0	9.4	9.6	17.0	16.0	14.5		18.0	
20.0	7.5	7.4	14.0	13.5	12.5	11.0	6.3	8.5	8.7	14.0	13.0	11.5		20.0	
22.0	6.8	6.7	12.0	11.5	10.5	9.0	5.7	7.8	7.9	12.0	11.0	9.5		22.0	
24.0							5.2	7.1	7.2	10.5	9.5	8.0		24.0	
26.0							4.8	6.5	6.6	9.0	8.0	6.5		26.0	
Reeving	11						9						Reeving		
Hook	60t Anchor Hook												Hook		
Telescoping mode	I	1	1	1	1	1	2	1	1	1	1	1	2	I	Telescoping mode
	II	1	1	1	1	2	2	1	1	1	1	2	2	II	
	III	1	1	1	2	2	2	1	1	1	2	2	2	III	
	IV	1	1	2	2	2	1	1	2	3	2	2	2	IV	
	V	2	3	2	2	1	1	3	3	2	2	2	1	V	
	VI	3	2	2	1	1	1	3	2	2	2	2	1	1	

Table 8 Main boom

Unit: t

Outriggers completely extended 8 m, with 27t counterweight, side and rear operations														
Working radius (m)	Boom length (m)												Working radius (m)	
	36.7	36.7	36.7	36.7	36.7	36.7★	41.3	41.3	41.3	41.3	41.3	41.3★		
3.0														3.0
3.5														3.5
4.0														4.0
4.5														4.5
5.0														5.0
5.5														5.5
6.0														6.0
7.0	16.0	19.0	23.0	23.5	37.5	48.0								7.0
8.0	15.0	17.1	21.0	21.5	35.0	46.0	15.0	18.0	19.5	23.5	30.0	37.0		8.0
9.0	13.8	15.6	19.5	19.5	32.5	42.0	14.0	16.8	18.0	22.0	27.8	34.8		9.0
10.0	12.8	14.4	18.0	18.0	30.5	39.0	12.8	15.4	16.5	20.3	25.7	32.5		10.0
11.0	11.9	13.3	16.6	16.6	28.7	34.0	11.8	14.3	15.4	18.9	23.8	30.5		11.0
12.0	11.2	12.3	15.5	15.5	27.2	31.0	11.0	13.3	14.2	17.6	22.0	28.8		12.0
14.0	9.8	10.7	13.6	13.5	24.2	24.0	9.6	11.6	12.3	15.4	19.3	24.5		14.0
16.0	8.8	9.5	12.0	11.8	20.0	18.5	8.4	10.3	10.8	13.7	17.1	20.0		16.0
18.0	7.9	8.4	10.7	10.5	17.0	15.5	7.5	9.2	9.6	12.3	15.2	16.5		18.0
20.0	7.2	7.6	9.6	9.5	14.0	12.5	6.7	8.3	8.6	11.0	13.7	13.5		20.0
22.0	6.5	6.8	8.7	8.6	12.0	10.5	6.1	7.5	7.7	10.0	11.5	11.0		22.0
24.0	6.0	6.2	7.9	7.8	10.3	8.9	5.5	6.8	7.0	9.2	10.0	9.5		24.0
26.0	5.5	5.6	7.3	7.1	8.7	7.5	5.0	6.2	6.3	8.4	8.8	8.3		26.0
28.0	5.1	5.2	6.7	6.5	7.5	6.3	4.6	5.7	5.8	7.8	7.6	7.1		28.0
30.0	4.7	4.8	6.1	6.0	6.5	5.3	4.2	5.2	5.3	6.7	6.5	6.0		30.0
32.0							3.9	4.8	4.9	5.9	5.7	5.2		32.0
34.0							3.6	4.4	4.5	5.2	4.9	4.4		34.0
Reevin	8						6						Reeving	
Hook	60t Anchor Hook												Hook	
Telescoping mode	I	1	1	1	1	1	2	1	1	1	1	1	2	I
	II	1	1	1	1	2	2	1	1	1	2	3	2	II
	III	1	1	2	3	2	2	1	2	3	3	2	2	III
	IV	2	3	3	2	2	2	3	3	3	2	2	2	IV
	V	3	3	2	2	2	2	3	3	2	2	2	2	V
	VI	3	2	2	2	2	1	3	2	2	2	2	2	VI

Table 9 Main boom

Unit: t

Outriggers completely extended 8 m, with 27t counterweight, side and rear operations															
Working radius (m)	Boom length (m)												Working radius (m)		
	45.9	45.9	45.9	45.9	45.9	45.9	★	50.5	50.5	50.5	50.5	50.5		★	
3.0														3.0	
3.5														3.5	
4.0														4.0	
4.5														4.5	
5.0														5.0	
5.5														5.5	
6.0														6.0	
7.0														7.0	
8.0														8.0	
9.0	14.5	16.0	19.5	23.0	27.0	27.5								9.0	
10.0	13.5	15.0	18.0	21.5	25.5	26.0								10.0	
11.0	12.6	13.8	16.8	20.0	24.0	24.5		12.5	14.5	17.0	20.0	21.5		11.0	
12.0	11.8	12.8	15.6	18.7	22.5	23.0		11.5	13.5	16.0	19.0	20.5		12.0	
14.0	10.3	11.0	13.6	16.5	19.7	20.3		10.2	12.0	14.0	17.0	18.0		14.0	
16.0	9.2	9.7	12.0	14.5	17.4	18.0		9.0	10.8	12.5	15.3	16.2		16.0	
18.0	8.2	8.6	10.7	13.0	15.6	15.1		8.0	9.6	11.3	13.7	14.6		18.0	
20.0	7.4	7.7	9.6	11.8	13.0	12.5		7.2	8.6	10.2	12.5	13.0		20.0	
22.0	6.7	6.9	8.7	10.7	11.3	10.9		6.4	7.7	9.2	11.3	10.5		22.0	
24.0	6.1	6.2	7.8	9.7	9.6	9.2		5.8	7.0	8.3	9.5	9.0		24.0	
26.0	5.5	5.6	7.1	8.5	8.0	7.6		5.3	6.4	7.7	8.2	7.7		26.0	
28.0	5.1	5.1	6.5	7.5	6.9	6.5		4.8	5.8	7.1	7.0	6.5		28.0	
30.0	4.7	4.7	6.0	6.5	5.9	5.5		4.4	5.3	6.5	6.0	5.5		30.0	
32.0	4.3	4.3	5.5	5.6	5.0	4.6		4.0	4.9	6.0	5.1	4.6		32.0	
34.0	4.0	3.9	5.1	4.9	4.3	3.9		3.7	4.5	5.0	4.4	3.9		34.0	
36.0	3.7	3.6	4.7	4.2	3.6	3.2		3.4	4.2	4.4	3.7	3.2		36.0	
38.0	3.5	3.3	4.0	3.6	3.0	2.6		3.1	3.9	3.8	3.1	2.6		38.0	
40.0								2.9	3.6	3.3	2.6	2.1		40.0	
42.0								2.7	3.3	2.8	2.1	1.6		42.0	
Reevin	5							4						Reeving	
Hook	60t Anchor Hook												Hook		
Telescoping mode	I	1	1	1	1	2	3		1	1	1	2	3	I	Telescoping mode
	II	1	1	2	3	3	2		1	2	3	3	3	II	
	III	2	3	3	3	2	2		3	3	3	3	2	III	
	IV	3	3	3	2	2	2		3	3	3	2	2	IV	
	V	3	3	2	2	2	2		3	3	2	2	2	V	
	VI	3	2	2	2	2	2		3	2	2	2	2	VI	

Table 10 Main boom

Unit: t

Outriggers completely extended 8 m, with 27t counterweight, side and rear operations														
Working radius (m)	Boom length (m)												Working radius (m)	
	55.1	55.1	55.1	55.1★	59.7	59.7	59.7★		64.3	64.3★	68.9★	75.0★		
5.0														5.0
5.5														5.5
6.0														6.0
7.0														7.0
8.0														8.0
9.0														9.0
10.0														10.0
11.0														11.0
12.0	12.5	14.0	16.5	18.0										12.0
14.0	11.0	12.6	14.8	16.2	11.0	13.0	14.0							14.0
16.0	9.8	11.2	13.2	14.7	10.0	11.5	12.6		10.0	11.0				16.0
18.0	8.8	10.1	11.8	13.2	9.2	10.5	11.6		9.5	10.0	8.8			18.0
20.0	8.0	9.1	10.7	11.8	8.4	9.5	10.6		8.7	9.2	8.2	6.8		20.0
22.0	7.2	8.3	9.8	10.6	7.7	8.7	9.8		8.0	8.5	7.7	6.7		22.0
24.0	6.5	7.6	9.0	9.3	7.0	8.0	9.0		7.4	7.9	7.2	6.6		24.0
26.0	5.9	6.9	8.2	7.9	6.4	7.4	8.3		6.8	7.3	6.7	6.2		26.0
28.0	5.4	6.3	7.3	6.7	5.9	6.8	7.0		6.3	6.8	6.3	5.8		28.0
30.0	5.0	5.8	6.3	5.7	5.4	6.3	6.0		5.8	6.3	5.8	5.4		30.0
32.0	4.6	5.4	5.4	4.8	5.0	5.8	5.1		5.4	5.4	5.4	5.0		32.0
34.0	4.2	5.0	4.6	4.0	4.6	5.0	4.4		5.0	4.7	5.0	4.7		34.0
36.0	3.9	4.6	4.0	3.4	4.3	4.3	3.7		4.6	4.0	4.5	4.4		36.0
38.0	3.6	4.2	3.4	2.8	4.0	3.7	3.1		4.2	3.5	3.9	4.0		38.0
40.0	3.3	3.6	2.9	2.3	3.7	3.2	2.6		3.7	2.9	3.3	3.4		40.0
42.0	3.1	3.2	2.5	1.9	3.4	2.7	2.1		3.2	2.4	2.8	2.9		42.0
44.0	2.9	2.7	2.0	1.4	3.1	2.3	1.7		2.8	2.0	2.4	2.5		44.0
46.0	2.7	2.3	1.6	1.0	2.7	1.9	1.3		2.4	1.7	2.0	2.1		46.0
48.0	2.5	2.0	1.3		2.4	1.6	1.0		2.0	1.3	1.6	1.7		48.0
50.0					2.1	1.3			1.7	1.0	1.3	1.4		50.0
52.0									1.4		1.0	1.1		52.0
54.0														54.0
56.0														56.0
58.0														58.0
60.0														60.0
62.0														62.0
Reeving	3								3					Reeving
Hook	60t Anchor Hook													Hook
Telescoping mode	I	1	1	2	3	1	2	3		2	3	3	4	I
	II	2	3	3	3	3	3	3		3	3	3	4	II
	III	3	3	3	3	3	3	3		3	3	3	4	III
	IV	3	3	3	2	3	3	3		3	3	3	4	IV
	V	3	3	2	2	3	3	2		3	3	3	4	V
	VI	3	2	2	2	3	2	2		3	2	3	4	VI

Table 11 Main boom

Unit: t

Outriggers completely extended 8 m, with 23t counterweight, side and rear operations														
Working radius (m)	Boom length (m)												Working radius (m)	
	13.7★	18.3	18.3	18.3	18.3	18.3	22.9	22.9	22.9	22.9	22.9	22.9★		
3.0	100.0	40.5	65.0	85.0	85.0	85.0							3.0	
3.5	92.0	38.5	60.0	82.0	82.0	82.0	28.0	42.0	60.0	73.0	76.0	76.0	3.5	
4.0	85.0	36.0	56.0	77.0	79.0	79.0	26.0	39.0	56.0	68.0	73.0	73.0	4.0	
4.5	80.0	34.5	52.0	72.0	77.0	77.0	24.5	37.0	52.0	63.0	70.0	70.0	4.5	
5.0	74.0	33.0	49.0	67.0	71.0	71.0	23.0	34.5	49.0	60.0	68.0	68.0	5.0	
6.0	65.0	31.0	43.0	58.0	63.0	63.0	21.0	31.0	43.0	56.0	63.0	63.0	6.0	
7.0	54.0	27.5	38.0	53.0	54.0	52.0	19.0	28.0	39.0	47.5	54.0	54.0	7.0	
8.0	44.0	25.5	35.0	46.0	46.0	45.0	17.0	25.0	35.0	43.0	46.0	46.0	8.0	
9.0	37.0	23.5	32.0	40.5	39.5	39.0	16.0	23.0	32.0	39.5	40.0	40.0	9.0	
10.0	32.0	22.0	29.0	36.0	35.0	34.5	15.0	21.0	29.5	36.0	36.0	36.0	10.0	
11.0		21.0	27.0	32.5	32.0	31.5	13.8	19.5	27.5	33.5	32.0	31.0	11.0	
12.0		20.0	25.0	27.0	26.5	26.0	13.0	18.5	25.5	28.0	27.0	26.0	12.0	
14.0		18.0	22.0	21.5	21.0	20.5	11.5	16.0	22.5	21.0	20.0	19.0	14.0	
16.0							10.3	14.5	18.0	17.0	16.0	15.0	16.0	
18.0							9.3	13.0	14.5	13.5	12.5	11.5	18.0	
Reeving	12	12					12						Reevin	
Hook	60t Anchor Hook												Hook	
Telescoping mode	I	1	1	1	1	1	1	1	1	1	1	1	2	Telescoping mode
	II	1	1	1	1	1	2	1	1	1	1	2	2	
	III	1	1	1	1	2	1	1	1	1	2	2	1	
	IV	1	1	1	2	1	1	1	1	2	2	1	1	
	V	1	1	2	1	1	1	1	2	2	1	1	1	
	VI	1	2	1	1	1	1	3	2	1	1	1	1	

Table 12 Main boom

Unit: t

Outriggers completely extended 8 m, with 23t counterweight, side and rear operations															
Working radius (m)	Boom length (m)												Working radius (m)		
	27.5	27.5	27.5	27.5	27.5	27.5★	32.1	32.1	32.1	32.1	32.1	32.1★			
3.0														3.0	
3.5														3.5	
4.0														4.0	
4.5	22.5	22.5	40.5	56.0	67.0	67.0								4.5	
5.0	21.5	21.5	38.5	52.0	64.0	64.0								5.0	
6.0	19.0	19.0	34.5	46.5	58.0	58.0	16.5	21.0	23.5	37.5	52.0	53.0		6.0	
7.0	17.4	17.4	31.5	42.0	52.0	52.0	15.0	19.0	21.0	34.0	48.0	50.0		7.0	
8.0	15.8	15.8	28.8	38.0	46.0	46.0	13.7	17.5	19.0	31.5	43.5	46.0		8.0	
9.0	14.5	14.5	26.5	34.5	41.0	40.0	12.6	16.2	17.6	29.5	40.5	42.0		9.0	
10.0	13.4	13.4	24.5	31.8	37.0	36.0	11.6	15.0	16.2	27.5	37.0	36.0		10.0	
11.0	12.4	12.4	23.0	29.4	32.0	31.5	10.7	14.0	15.0	25.5	33.5	33.0		11.0	
12.0	11.5	11.5	21.5	27.0	28.5	27.0	10.0	13.0	14.0	24.0	29.0	28.0		12.0	
14.0	10.3	10.1	19.0	22.5	21.5	20.0	8.8	11.6	12.2	21.5	22.0	21.0		14.0	
16.0	9.2	9.0	17.0	18.0	17.0	15.5	7.8	10.3	10.8	19.0	17.5	16.5		16.0	
18.0	8.3	8.1	15.0	14.5	13.5	12.0	7.0	9.4	9.6	15.5	14.0	13.0		18.0	
20.0	7.5	7.4	13.0	12.0	11.0	9.5	6.3	8.5	8.7	13.0	11.5	10.5		20.0	
22.0	6.8	6.7	11.0	10.0	9.0	7.5	5.7	7.8	7.9	11.0	9.5	8.5		22.0	
24.0							5.2	7.1	7.2	9.5	8.0	7.0		24.0	
26.0							4.8	6.5	6.6	8.0	6.5	5.5		26.0	
Reeving	11						9						Reeving		
Hook	60t Anchor Hook												Hook		
Telescoping mode	I	1	1	1	1	1	2	1	1	1	1	1	2	I	Telescoping mode
	II	1	1	1	1	2	2	1	1	1	1	2	2	II	
	III	1	1	1	2	2	2	1	1	1	2	2	2	III	
	IV	1	1	2	2	2	1	1	2	3	2	2	2	IV	
	V	2	3	2	2	1	1	3	3	2	2	2	1	V	
	VI	3	2	2	1	1	1	3	2	2	2	2	1	VI	



Table 13 Main boom

Unit: t

Outriggers completely extended 8 m, with 23t counterweight, side and rear operations														
Working radius (m)	Boom length (m)												Working radius (m)	
	36.7	36.7	36.7	36.7	36.7	36.7★	41.3	41.3	41.3	41.3	41.3	41.3★		
3.0														3.0
3.5														3.5
4.0														4.0
4.5														4.5
5.0														5.0
5.5														5.5
6.0														6.0
7.0	16.0	19.0	23.0	23.5	37.5	48.0								7.0
8.0	15.0	17.1	21.0	21.5	35.0	46.0	15.0	18.0	19.5	23.5	30.0	37.0		8.0
9.0	13.8	15.6	19.5	19.5	32.5	42.0	14.0	16.8	18.0	22.0	27.8	34.8		9.0
10.0	12.8	14.4	18.0	18.0	30.5	39.0	12.8	15.4	16.5	20.3	25.7	32.5		10.0
11.0	11.9	13.3	16.6	16.6	28.7	34.0	11.8	14.3	15.4	18.9	23.8	30.5		11.0
12.0	11.2	12.3	15.5	15.5	27.0	29.0	11.0	13.3	14.2	17.6	22.0	28.5		12.0
14.0	9.8	10.7	13.6	13.5	23.5	22.0	9.6	11.6	12.3	15.4	19.3	23.0		14.0
16.0	8.8	9.5	12.0	11.8	18.5	17.0	8.4	10.3	10.8	13.7	17.1	18.0		16.0
18.0	7.9	8.4	10.7	10.5	15.0	13.5	7.5	9.2	9.6	12.3	15.0	14.5		18.0
20.0	7.2	7.6	9.6	9.5	12.5	11.0	6.7	8.3	8.6	11.0	12.5	12.0		20.0
22.0	6.5	6.8	8.7	8.6	10.8	9.4	6.1	7.5	7.7	10.0	10.5	10.0		22.0
24.0	6.0	6.2	7.9	7.8	9.2	7.8	5.5	6.8	7.0	9.0	9.0	8.5		24.0
26.0	5.5	5.6	7.3	7.1	7.7	6.3	5.0	6.2	6.3	7.8	7.5	7.1		26.0
28.0	5.1	5.2	6.7	6.5	6.7	5.3	4.6	5.7	5.8	6.8	6.5	6.1		28.0
30.0	4.7	4.8	6.1	6.0	5.7	4.3	4.2	5.2	5.3	5.8	5.5	5.1		30.0
32.0							3.9	4.8	4.9	5.0	4.7	4.3		32.0
34.0							3.6	4.3	4.4	4.3	4.0	3.6		34.0
Reeving	8						6						Reeving	
Hook	60t Anchor Hook												Hook	
Telescoping mode	I	1	1	1	1	1	2	1	1	1	1	1	2	I
	II	1	1	1	1	2	2	1	1	1	2	3	2	II
	III	1	1	2	3	2	2	1	2	3	3	2	2	III
	IV	2	3	3	2	2	2	3	3	3	2	2	2	IV
	V	3	3	2	2	2	2	3	3	2	2	2	2	V
	VI	3	2	2	2	2	1	3	2	2	2	2	2	VI

Table 14 Main boom

Unit: t

Outriggers completely extended 8 m, with 23t counterweight, side and rear operations															
Working radius (m)	Boom length (m)												Working radius (m)		
	45.9	45.9	45.9	45.9	45.9	45.9	★		50.5	50.5	50.5	50.5		50.5	★
3.0															3.0
3.5															3.5
4.0															4.0
4.5															4.5
5.0															5.0
5.5															5.5
6.0															6.0
7.0															7.0
8.0															8.0
9.0	14.5	16.0	19.5	23.0	27.0	27.5									9.0
10.0	13.5	15.0	18.0	21.5	25.5	26.0									10.0
11.0	12.6	13.8	16.8	20.0	24.0	24.5		12.5	14.5	17.0	20.0	21.5			11.0
12.0	11.8	12.8	15.6	18.7	22.5	23.0		11.5	13.5	16.0	19.0	20.5			12.0
14.0	10.3	11.0	13.6	16.5	19.7	20.0		10.2	12.0	14.0	17.0	18.0			14.0
16.0	9.2	9.7	12.0	14.5	17.0	17.5		9.0	10.8	12.5	15.3	16.0			16.0
18.0	8.2	8.6	10.7	13.0	14.5	14.0		8.0	9.6	11.3	13.5	14.0			18.0
20.0	7.4	7.7	9.6	11.8	12.0	11.5		7.2	8.6	10.2	12.0	11.5			20.0
22.0	6.7	6.9	8.7	10.5	10.0	9.5		6.4	7.7	9.2	10.0	9.5			22.0
24.0	6.1	6.2	7.8	9.0	8.4	8.0		5.8	7.0	8.3	8.5	8.0			24.0
26.0	5.5	5.6	7.1	7.6	7.0	6.6		5.3	6.4	7.5	7.0	6.5			26.0
28.0	5.1	5.1	6.5	6.6	6.0	5.6		4.8	5.8	6.7	6.0	5.5			28.0
30.0	4.7	4.7	5.9	5.6	5.0	4.6		4.4	5.3	5.8	5.1	4.6			30.0
32.0	4.3	4.3	5.1	4.7	4.1	3.7		4.0	4.9	5.0	4.3	3.8			32.0
34.0	4.0	3.9	4.4	4.0	3.4	3.0		3.7	4.5	4.3	3.6	3.1			34.0
36.0	3.7	3.6	3.8	3.4	2.8	2.4		3.4	4.0	3.7	3.0	2.5			36.0
38.0	3.5	3.3	3.3	2.9	2.3	1.9		3.1	3.7	3.2	2.5	2.0			38.0
40.0								2.9	3.2	2.7	2.0	1.5			40.0
42.0								2.7	2.7	2.2	1.5	1.0			42.0
Reeving	5							4						Reeving	
Hook	60t Anchor Hook												Hook		
Telescoping mode	I	1	1	1	1	2	3		1	1	1	2	3	I	Telescoping mode
	II	1	1	2	3	3	2		1	2	3	3	3	II	
	III	2	3	3	3	2	2		3	3	3	3	2	III	
	IV	3	3	3	2	2	2		3	3	3	2	2	IV	
	V	3	3	2	2	2	2		3	3	2	2	2	V	
	VI	3	2	2	2	2	2		3	2	2	2	2	VI	

Table 15 Main boom

Unit: t

Outriggers completely extended 8 m, with 23t counterweight, side and rear operations														
Working radius (m)	Boom length (m)												Working radius (m)	
	55.1	55.1	55.1	55.1★	59.7	59.7	59.7★		64.3	64.3★	68.9★	75.0★		
5.0													5.0	
5.5													5.5	
6.0													6.0	
7.0													7.0	
8.0													8.0	
9.0													9.0	
10.0													10.0	
11.0													11.0	
12.0	12.5	14.0	16.5	18.0									12.0	
14.0	11.0	12.6	14.8	16.2	11.0	13.0	14.0						14.0	
16.0	9.8	11.2	13.2	14.7	10.0	11.5	12.6		10.0	11.0			16.0	
18.0	8.8	10.1	11.8	13.2	9.2	10.5	11.6		9.5	10.0	8.8		18.0	
20.0	8.0	9.1	10.7	11.8	8.4	9.5	10.6		8.7	9.2	8.2	6.8	20.0	
22.0	7.2	8.3	9.5	9.6	7.7	8.7	9.8		8.0	8.5	7.7	6.7	22.0	
24.0	6.5	7.6	8.9	8.2	7.0	8.0	8.5		7.4	7.9	7.2	6.6	24.0	
26.0	5.9	6.9	7.5	6.8	6.4	7.4	7.1		6.8	7.3	6.7	6.2	26.0	
28.0	5.4	6.3	6.4	5.7	5.9	6.5	6.0		6.3	6.4	6.3	5.8	28.0	
30.0	5.0	5.8	5.4	4.7	5.4	5.8	5.0		5.8	5.4	5.8	5.4	30.0	
32.0	4.6	5.0	4.6	3.9	5.0	5.0	4.2		5.3	4.6	5.1	5.0	32.0	
34.0	4.2	4.6	3.9	3.2	4.6	4.2	3.5		4.6	3.9	4.4	4.5	34.0	
36.0	3.9	4.0	3.3	2.6	4.3	3.6	2.9		4.0	3.3	3.8	3.9	36.0	
38.0	3.6	3.4	2.7	2.0	3.8	3.0	2.3		3.4	2.7	3.2	3.3	38.0	
40.0	3.3	2.9	2.2	1.5	3.3	2.5	1.8		2.9	2.2	2.7	2.8	40.0	
42.0	3.0	2.5	1.8	1.1	2.9	2.1	1.4		2.5	1.8	2.2	2.3	42.0	
44.0	2.7	2.1	1.4		2.5	1.7	1.0		2.1	1.4	1.8	1.9	44.0	
46.0					2.1	1.3			1.7	1.0	1.4	1.5	46.0	
48.0									1.4		1.1	1.2	48.0	
50.0													50.0	
52.0													52.0	
54.0													54.0	
56.0													56.0	
58.0													58.0	
60.0													60.0	
62.0													62.0	
Reeving	3								3				Reeving	
Hook	60t Anchor Hook												Hook	
Telescoping mode	I	1	1	2	3	1	2	3		2	3	3	4	I
	II	2	3	3	3	3	3	3		3	3	3	4	II
	III	3	3	3	3	3	3	3		3	3	3	4	III
	IV	3	3	3	2	3	3	3		3	3	3	4	IV
	V	3	3	2	2	3	3	2		3	3	3	4	V
	VI	3	2	2	2	3	2	2		3	2	3	4	VI

Table 16 Main boom

Unit: t

Outriggers completely extended 8 m, with 18t counterweight, side and rear operations														
Working radius (m)	Boom length (m)												Working radius (m)	
	13.7★	18.3	18.3	18.3	18.3	18.3	22.9	22.9	22.9	22.9	22.9	22.9★		
3.0	100.0	40.5	65.0	85.0	85.0	85.0							3.0	
3.5	92.0	38.5	60.0	82.0	82.0	82.0	28.0	42.0	60.0	73.0	76.0	76.0	3.5	
4.0	85.0	36.0	56.0	77.0	79.0	79.0	26.0	39.0	56.0	68.0	73.0	73.0	4.0	
4.5	80.0	34.5	52.0	72.0	77.0	77.0	24.5	37.0	52.0	63.0	70.0	70.0	4.5	
5.0	74.0	33.0	49.0	67.0	71.0	71.0	23.0	34.5	49.0	60.0	68.0	68.0	5.0	
6.0	65.0	31.0	43.0	58.0	63.0	63.0	21.0	31.0	43.0	56.0	63.0	63.0	6.0	
7.0	53.0	27.5	38.0	53.0	54.0	52.0	19.0	28.0	39.0	47.5	54.0	54.0	7.0	
8.0	43.0	25.5	35.0	43.0	43.0	43.0	17.0	25.0	35.0	43.0	43.0	43.0	8.0	
9.0	36.0	23.5	32.0	36.5	36.5	36.5	16.0	23.0	32.0	36.5	36.5	36.5	9.0	
10.0	31.0	22.0	29.0	35.0	33.5	33.5	15.0	21.0	29.5	35.0	33.5	33.0	10.0	
11.0		21.0	27.0	29.0	28.5	27.5	13.8	19.5	27.5	29.5	28.5	27.0	11.0	
12.0		20.0	24.5	25.0	24.5	23.5	13.0	18.5	25.0	25.5	24.5	23.0	12.0	
14.0		18.0	19.0	18.5	18.0	17.0	11.5	16.0	19.0	18.5	17.5	16.0	14.0	
16.0							10.3	14.5	15.0	14.5	13.5	12.0	16.0	
18.0							9.3	13.0	12.5	12.0	11.0	9.5	18.0	
Reeving	12	12					12						Reeving	
Hook	60t Anchor Hook												Hook	
Telescoping mode	I	1	1	1	1	1	1	1	1	1	1	1	2	I
	II	1	1	1	1	1	2	1	1	1	1	2	2	II
	III	1	1	1	1	2	1	1	1	1	2	2	1	III
	IV	1	1	1	2	1	1	1	1	2	2	1	1	IV
	V	1	1	2	1	1	1	1	2	2	1	1	1	V
	VI	1	2	1	1	1	1	3	2	1	1	1	1	VI

Table 17 Main boom

Unit: t

Outriggers completely extended 8 m, with 18t counterweight, side and rear operations															
Working radius (m)	Boom length (m)												Working radius (m)		
	27.5	27.5	27.5	27.5	27.5	27.5★	32.1	32.1	32.1	32.1	32.1	32.1★			
3.0														3.0	
3.5														3.5	
4.0														4.0	
4.5	22.5	22.5	40.5	56.0	67.0	67.0								4.5	
5.0	21.5	21.5	38.5	52.0	64.0	64.0								5.0	
6.0	19.0	19.0	34.5	46.5	58.0	58.0	16.5	21.0	23.5	37.5	52.0	53.0		6.0	
7.0	17.4	17.4	31.5	42.0	52.0	52.0	15.0	19.0	21.0	34.0	48.0	50.0		7.0	
8.0	15.8	15.8	28.8	38.0	46.0	46.0	13.7	17.5	19.0	31.5	43.5	46.0		8.0	
9.0	14.5	14.5	26.5	34.5	41.0	40.0	12.6	16.2	17.6	29.5	40.5	42.0		9.0	
10.0	13.4	13.4	24.5	31.8	35.5	34.0	11.6	15.0	16.2	27.5	36.5	35.0		10.0	
11.0	12.4	12.4	23.0	29.4	29.5	28.0	10.7	14.0	15.0	25.5	31.0	29.0		11.0	
12.0	11.5	11.5	21.5	26.0	25.0	23.5	10.0	13.0	14.0	24.0	25.0	23.5		12.0	
14.0	10.3	10.1	19.0	20.0	19.0	17.5	8.8	11.6	12.2	21.0	20.0	18.5		14.0	
16.0	9.2	9.0	16.5	15.5	14.5	13.0	7.8	10.3	10.8	16.5	15.5	14.0		16.0	
18.0	8.3	8.1	13.5	12.5	11.5	10.0	7.0	9.4	9.6	13.5	12.5	11.0		18.0	
20.0	7.5	7.4	11.0	10.0	9.0	7.5	6.3	8.5	8.7	11.0	10.0	8.5		20.0	
22.0	6.8	6.7	9.5	8.5	7.5	6.0	5.7	7.8	7.9	9.5	8.5	7.0		22.0	
24.0							5.2	7.1	7.2	8.0	7.0	5.5		24.0	
26.0							4.5	6.5	6.5	6.9	5.9	4.4		26.0	
Reeving	11						9						Reeving		
Hook	60t Anchor Hook												Hook		
Telescoping mode	I	1	1	1	1	1	2	1	1	1	1	1	2	I	Telescoping mode
	II	1	1	1	1	2	2	1	1	1	1	2	2	II	
	III	1	1	1	2	2	2	1	1	1	2	2	2	III	
	IV	1	1	2	2	2	1	1	2	3	2	2	2	IV	
	V	2	3	2	2	1	1	3	3	2	2	2	1	V	
	VI	3	2	2	1	1	1	3	2	2	2	1	1	VI	

Table 18 Main boom

Unit: t

Outriggers completely extended 8 m, with 18t counterweight, side and rear operations														
Working radius (m)	Boom length (m)												Working radius (m)	
	36.7	36.7	36.7	36.7	36.7	36.7★	41.3	41.3	41.3	41.3	41.3	41.3★		
3.0														3.0
3.5														3.5
4.0														4.0
4.5														4.5
5.0														5.0
5.5														5.5
6.0														6.0
7.0	16.0	19.0	23.0	23.5	37.5	48.0								7.0
8.0	15.0	17.1	21.0	21.5	35.0	46.0	15.0	18.0	19.5	23.5	30.0	37.0		8.0
9.0	13.8	15.6	19.5	19.5	32.5	42.0	14.0	16.8	18.0	22.0	27.8	34.8		9.0
10.0	12.8	14.4	18.0	18.0	30.5	35.0	12.8	15.4	16.5	20.3	25.7	32.5		10.0
11.0	11.9	13.3	16.6	16.6	28.7	30.0	11.8	14.3	15.4	18.9	23.8	30.0		11.0
12.0	11.2	12.3	15.5	15.5	27.0	25.0	11.0	13.3	14.2	17.6	22.0	26.0		12.0
14.0	9.8	10.7	13.6	13.5	19.0	18.5	9.6	11.6	12.3	15.4	19.0	20.0		14.0
16.0	8.8	9.5	12.0	11.8	15.0	14.5	8.4	10.3	10.8	13.7	16.0	15.5		16.0
18.0	7.9	8.4	10.7	10.5	12.0	11.5	7.5	9.2	9.6	12.3	13.0	12.5		18.0
20.0	7.2	7.6	9.6	9.5	11.0	9.8	6.7	8.3	8.6	10.5	10.5	10.0		20.0
22.0	6.5	6.8	8.7	8.6	9.0	7.8	6.1	7.5	7.7	9.2	8.9	8.5		22.0
24.0	6.0	6.2	7.9	7.7	7.6	6.4	5.5	6.8	7.0	7.8	7.5	7.1		24.0
26.0	5.5	5.6	7.0	6.8	6.5	5.3	5.0	6.2	6.3	6.6	6.3	5.9		26.0
28.0	5.1	5.2	6.0	5.8	5.5	4.3	4.6	5.7	5.8	5.6	5.3	4.9		28.0
30.0	4.5	4.6	5.2	5.0	4.7	3.5	4.2	5.2	5.0	4.7	4.4	4.0		30.0
32.0							3.9	4.7	4.5	4.0	3.7	3.3		32.0
34.0							3.5	4.2	3.9	3.4	3.1	2.7		34.0
Reeving	8						6						Reeving	
Hook	60t Anchor Hook												Hook	
Telescoping mode	I	1	1	1	1	1	2	1	1	1	1	1	2	I
	II	1	1	1	1	2	2	1	1	1	2	3	2	II
	III	1	1	2	3	2	2	1	2	3	3	2	2	III
	IV	2	3	3	2	2	2	3	3	3	2	2	2	IV
	V	3	3	2	2	2	2	3	3	2	2	2	2	V
	VI	3	2	2	2	2	1	3	2	2	2	2	2	VI

Table 19 Main boom

Unit: t

Outriggers completely extended 8 m, with 18t counterweight, side and rear operations															
Working radius (m)	Boom length (m)												Working radius (m)		
	45.9	45.9	45.9	45.9	45.9	45.9	★		50.5	50.5	50.5	50.5		50.5	★
3.0															3.0
3.5															3.5
4.0															4.0
4.5															4.5
5.0															5.0
5.5															5.5
6.0															6.0
7.0															7.0
8.0															8.0
9.0	14.5	16.0	19.5	23.0	27.0	27.5									9.0
10.0	13.5	15.0	18.0	21.5	25.5	26.0									10.0
11.0	12.6	13.8	16.8	20.0	24.0	24.5		12.5	14.5	17.0	20.0	21.5			11.0
12.0	11.8	12.8	15.6	18.7	22.5	22.5		11.5	13.5	16.0	19.0	20.5			12.0
14.0	10.3	11.0	13.6	16.5	19.0	19.0		10.2	12.0	14.0	17.0	18.0			14.0
16.0	9.2	9.7	12.0	14.5	15.5	15.0		9.0	10.8	12.5	15.0	15.0			16.0
18.0	8.2	8.6	10.7	13.0	12.5	12.0		8.0	9.6	11.3	12.5	12.0			18.0
20.0	7.4	7.7	9.6	11.0	10.0	9.8		7.2	8.6	10.2	10.5	9.5			20.0
22.0	6.7	6.9	8.7	9.0	8.5	8.0		6.4	7.7	9.0	8.5	8.0			22.0
24.0	6.1	6.2	7.5	7.7	7.1	6.7		5.8	7.0	7.8	7.1	6.5			24.0
26.0	5.5	5.6	6.8	6.5	5.9	5.5		5.3	6.4	6.7	6.0	5.4			26.0
28.0	5.1	5.1	5.9	5.5	4.9	4.5		4.8	5.8	5.7	5.0	4.4			28.0
30.0	4.7	4.7	5.0	4.6	4.0	3.6		4.4	5.2	4.8	4.1	3.5			30.0
32.0	4.3	4.3	4.3	3.9	3.3	2.9		4.0	4.5	4.1	3.4	2.8			32.0
34.0	4.0	3.9	3.6	3.2	2.6	2.2		3.7	4.0	3.5	2.8	2.2			34.0
36.0	3.7	3.5	3.1	2.7	2.1	1.7		3.4	3.4	2.9	2.2	1.6			36.0
38.0	3.3	3.0	2.6	2.2	1.6	1.2		3.1	2.9	2.4	1.7	1.1			38.0
40.0								2.9	2.5	2.0	1.3				40.0
42.0								2.5	2.1	1.6					42.0
Reeving	5							4						Reeving	
Hook	60t Anchor Hook												Hook		
Telescoping mode	I	1	1	1	1	2	3		1	1	1	2	3	I	Telescoping mode
	II	1	1	2	3	3	2		1	2	3	3	3	II	
	III	2	3	3	3	2	2		3	3	3	3	2	III	
	IV	3	3	3	2	2	2		3	3	3	2	2	IV	
	V	3	3	2	2	2	2		3	3	2	2	2	V	
	VI	3	2	2	2	2	2		3	2	2	2	2	VI	

Table 20 Main boom

Unit: t

Outriggers completely extended 8 m, with 18t counterweight, side and rear operations														
Working radius (m)	Boom length (m)												Working radius (m)	
	55.1	55.1	55.1	55.1★	59.7	59.7	59.7★		64.3	64.3★	68.9★	75.0★		
5.0													5.0	
5.5													5.5	
6.0													6.0	
7.0													7.0	
8.0													8.0	
9.0													9.0	
10.0													10.0	
11.0													11.0	
12.0	12.5	14.0	16.5	18.0									12.0	
14.0	11.0	12.6	14.8	16.2	11.0	13.0	14.0						14.0	
16.0	9.8	11.2	13.2	14.7	10.0	11.5	12.6		10.0	11.0			16.0	
18.0	8.8	10.1	11.8	12.4	9.2	10.5	11.6		9.5	10.0	8.8		18.0	
20.0	8.0	9.1	10.7	10.0	8.4	9.5	10.0		8.7	9.2	8.2	6.8	20.0	
22.0	7.2	8.3	8.9	8.2	7.7	8.5	8.5		8.0	8.5	7.7	6.7	22.0	
24.0	6.5	7.6	7.5	6.8	7.0	7.8	7.1		7.4	7.5	7.2	6.6	24.0	
26.0	5.9	6.8	6.3	5.6	6.4	6.7	5.9		6.8	6.3	6.7	6.2	26.0	
28.0	5.4	6.0	5.3	4.6	5.9	5.6	4.9		5.9	5.3	5.7	5.8	28.0	
30.0	5.0	5.2	4.4	3.7	5.3	4.7	4.0		5.2	4.4	4.8	4.9	30.0	
32.0	4.6	4.4	3.7	3.0	4.7	4.0	3.3		4.4	3.6	4.0	4.1	32.0	
34.0	4.2	3.7	3.0	2.3	4.2	3.4	2.7		3.8	3.0	3.4	3.5	34.0	
36.0	3.6	3.2	2.5	1.8	3.6	2.8	2.1		3.2	2.4	2.8	2.9	36.0	
38.0	3.3	2.8	2.0	1.3	3.1	2.3	1.6		2.7	1.9	2.3	2.4	38.0	
40.0	2.8	2.3	1.5		2.6	1.8	1.1		2.2	1.5	1.9	2.0	40.0	
42.0	2.4	1.9	1.1		2.2	1.4			1.8	1.1	1.4	1.5	42.0	
44.0											1.1	1.2	44.0	
46.0													46.0	
48.0													48.0	
50.0													50.0	
52.0													52.0	
54.0													54.0	
56.0													56.0	
58.0													58.0	
60.0													60.0	
62.0													62.0	
Reeving	3						3						Reeving	
Hook	60t Anchor Hook												Hook	
Telescoping mode	I	1	1	2	3	1	2	3		2	3	3	4	I
	II	2	3	3	3	3	3	3		3	3	3	4	II
	III	3	3	3	3	3	3	3		3	3	3	4	III
	IV	3	3	3	2	3	3	3		3	3	3	4	IV
	V	3	3	2	2	3	3	2		3	3	3	4	V
	VI	3	2	2	2	3	2	2		3	2	3	4	VI



Table 21 Main boom

Unit: t

Outriggers completely extended 8 m, with 13t counterweight, side and rear operations														
Working radius (m)	Boom length (m)												Working radius (m)	
	13.7★	18.3	18.3	18.3	18.3	18.3	22.9	22.9	22.9	22.9	22.9	22.9★		
3.0	100.0	40.5	65.0	85.0	85.0	85.0							3.0	
3.5	92.0	38.5	60.0	82.0	82.0	82.0	28.0	42.0	60.0	73.0	76.0	76.0	3.5	
4.0	85.0	36.0	56.0	77.0	79.0	79.0	26.0	39.0	56.0	68.0	73.0	73.0	4.0	
4.5	80.0	34.5	52.0	72.0	77.0	77.0	24.5	37.0	52.0	63.0	70.0	70.0	4.5	
5.0	74.0	33.0	49.0	67.0	71.0	71.0	23.0	34.5	49.0	60.0	68.0	68.0	5.0	
6.0	65.0	31.0	43.0	58.0	63.0	63.0	21.0	31.0	43.0	56.0	63.0	63.0	6.0	
7.0	51.0	27.5	38.0	53.0	54.0	50.0	19.0	28.0	39.0	47.5	54.0	54.0	7.0	
8.0	41.0	25.5	35.0	46.0	45.0	43.0	17.0	25.0	35.0	43.0	47.0	45.0	8.0	
9.0	35.0	23.5	32.0	38.0	37.5	36.5	16.0	23.0	32.0	39.5	37.5	36.0	9.0	
10.0	29.0	22.0	29.0	31.0	30.5	29.5	15.0	21.0	29.5	31.0	30.0	28.5	10.0	
11.0		21.0	26.0	25.5	25.0	24.0	13.8	19.5	27.5	26.0	25.0	23.5	11.0	
12.0		20.0	22.0	21.5	21.0	20.0	13.0	18.5	23.0	22.0	21.0	19.5	12.0	
14.0		17.0	16.5	16.0	15.5	14.5	11.5	16.0	17.4	16.4	15.4	14.0	14.0	
16.0							10.3	14.0	13.5	12.5	11.5	10.1	16.0	
18.0							9.3	11.2	10.7	9.7	9.0	7.6	18.0	
Reeving	12	12					12						Reeving	
Hook	60t Anchor Hook												Hook	
Telescoping mode	I	1	1	1	1	1	1	1	1	1	1	1	2	I
	II	1	1	1	1	1	2	1	1	1	1	2	2	II
	III	1	1	1	1	2	1	1	1	1	2	2	1	III
	IV	1	1	1	2	1	1	1	1	2	2	1	1	IV
	V	1	1	2	1	1	1	1	2	2	1	1	1	V
	VI	1	2	1	1	1	1	3	2	1	1	1	1	VI

Table 22 Main boom

Unit: t

Outriggers completely extended 8 m, with 13t counterweight, side and rear operations														
Working radius (m)	Boom length (m)												Working radius (m)	
	27.5	27.5	27.5	27.5	27.5	27.5★	32.1	32.1	32.1	32.1	32.1	32.1★		
3.0														3.0
3.5														3.5
4.0														4.0
4.5	22.5	22.5	40.5	56.0	67.0	67.0								4.5
5.0	21.5	21.5	38.5	52.0	64.0	64.0								5.0
6.0	19.0	19.0	34.5	46.5	58.0	58.0	16.5	21.0	23.5	37.5	52.0	53.0		6.0
7.0	17.4	17.4	31.5	42.0	52.0	52.0	15.0	19.0	21.0	34.0	48.0	50.0		7.0
8.0	15.8	15.8	28.8	38.0	45.0	43.0	13.7	17.5	19.0	31.5	43.5	45.0		8.0
9.0	14.5	14.5	26.5	34.5	38.5	37.0	12.6	16.2	17.6	29.5	40.0	37.0		9.0
10.0	13.4	13.4	24.5	31.8	31.0	29.5	11.6	15.0	16.2	27.5	32.5	30.5		10.0
11.0	12.4	12.4	23.0	27.5	26.0	24.5	10.7	14.0	15.0	25.5	27.0	25.0		11.0
12.0	11.5	11.5	21.5	23.4	21.9	20.4	10.0	13.0	14.0	24.0	23.0	21.0		12.0
14.0	10.3	10.1	18.5	17.6	16.2	14.8	8.8	11.6	12.2	18.5	17.0	15.5		14.0
16.0	9.2	9.0	14.6	13.7	12.3	10.9	7.8	10.3	10.8	14.6	13.1	11.6		16.0
18.0	8.3	8.1	11.8	10.9	9.8	8.4	7.0	9.4	9.6	11.7	10.6	9.1		18.0
20.0	7.5	7.4	9.6	8.8	7.7	6.3	6.3	8.5	8.7	9.6	8.5	7.0		20.0
22.0	6.8	6.7	8.0	7.2	6.1	4.7	5.7	7.8	7.9	8.0	6.9	5.5		22.0
24.0							5.2	7.1	6.9	6.6	5.6	4.2		24.0
26.0							4.5	6.1	5.8	5.6	4.5	3.1		26.0
Reeving	11						9						Reeving	
Hook	60t Anchor Hook												Hook	
Telescoping mode	I	1	1	1	1	1	2	1	1	1	1	1	2	I
	II	1	1	1	1	2	2	1	1	1	1	2	2	II
	III	1	1	1	2	2	2	1	1	1	2	2	2	III
	IV	1	1	2	2	2	1	1	2	3	2	2	2	IV
	V	2	3	2	2	1	1	3	3	2	2	2	1	V
	VI	3	2	2	1	1	1	3	2	2	2	2	1	1

Table 23 Main boom

Unit: t

Outriggers completely extended 8 m, with 13t counterweight, side and rear operations														
Working radius (m)	Boom length (m)												Working radius (m)	
	36.7	36.7	36.7	36.7	36.7	36.7★	41.3	41.3	41.3	41.3	41.3	41.3★		
3.0														3.0
3.5														3.5
4.0														4.0
4.5														4.5
5.0														5.0
5.5														5.5
6.0														6.0
7.0	16.0	19.0	23.0	23.5	37.5	48.0								7.0
8.0	15.0	17.1	21.0	21.5	35.0	46.0	15.0	18.0	19.5	23.5	30.0	37.0		8.0
9.0	13.8	15.6	19.5	19.5	32.5	37.0	14.0	16.8	18.0	22.0	27.8	34.8		9.0
10.0	12.8	14.4	18.0	18.0	30.5	31.0	12.8	15.4	16.5	20.3	25.7	32.0		10.0
11.0	11.9	13.3	16.6	16.6	28.0	26.0	11.8	14.3	15.4	18.9	23.8	27.5		11.0
12.0	11.2	12.3	15.5	15.5	24.0	22.0	11.0	13.3	14.2	17.6	22.0	23.4		12.0
14.0	9.8	10.7	13.6	13.5	18.2	16.5	9.6	11.6	12.3	15.4	18.0	17.5		14.0
16.0	8.8	9.5	12.0	11.8	14.2	12.7	8.4	10.3	10.8	13.7	14.0	13.5		16.0
18.0	7.9	8.4	10.7	10.5	11.4	9.9	7.5	9.2	9.6	11.5	11.2	10.7		18.0
20.0	7.2	7.6	9.6	9.5	9.3	7.8	6.7	8.3	8.6	9.4	9.1	8.6		20.0
22.0	6.5	6.8	8.2	8.0	7.6	6.2	6.1	7.5	7.7	7.7	7.4	7.0		22.0
24.0	6.0	6.2	6.9	6.7	6.3	4.9	5.5	6.8	6.9	6.4	6.1	5.7		24.0
26.0	5.5	5.6	5.8	5.6	5.3	3.9	5.0	6.2	5.7	5.3	5.0	4.6		26.0
28.0	5.1	5.2	4.9	4.7	4.4	3.0	4.6	5.3	4.9	4.4	4.1	3.7		28.0
30.0	4.5	4.6	4.1	3.9	3.6	2.2	4.2	4.5	4.1	3.6	3.3	3.0		30.0
32.0							3.9	3.8	3.4	3.0	2.7	2.3		32.0
34.0							3.5	3.2	2.8	2.4	2.2	1.8		34.0
Reeving	8						6						Reeving	
Hook	60t Anchor Hook												Hook	
Telescoping mode	I	1	1	1	1	1	2	1	1	1	1	1	2	I
	II	1	1	1	1	2	2	1	1	1	2	3	2	II
	III	1	1	2	3	2	2	1	2	3	3	2	2	III
	IV	2	3	3	2	2	2	3	3	3	2	2	2	IV
	V	3	3	2	2	2	2	3	3	2	2	2	2	V
	VI	3	2	2	2	2	1	3	2	2	2	2	2	VI

Table 24 Main boom

Unit: t

Outriggers completely extended 8 m, with 13t counterweight, side and rear operations															
Working radius (m)	Boom length (m)												Working radius (m)		
	45.9	45.9	45.9	45.9	45.9	45.9	★		50.5	50.5	50.5	50.5		50.5	★
3.0															3.0
3.5															3.5
4.0															4.0
4.5															4.5
5.0															5.0
5.5															5.5
6.0															6.0
7.0															7.0
8.0															8.0
9.0	14.5	16.0	19.5	23.0	27.0	27.5									9.0
10.0	13.5	15.0	18.0	21.5	25.5	26.0									10.0
11.0	12.6	13.8	16.8	20.0	24.0	24.5		12.5	14.5	17.0	20.0	21.5			11.0
12.0	11.8	12.8	15.6	18.7	22.5	22.5		11.5	13.5	16.0	19.0	20.5			12.0
14.0	10.3	11.0	13.6	16.5	17.3	16.9		10.2	12.0	14.0	17.0	16.8			14.0
16.0	9.2	9.7	12.0	14.2	13.4	13.0		9.0	10.8	12.5	13.6	13.0			16.0
18.0	8.2	8.6	10.7	11.3	10.6	10.2		8.0	9.6	11.3	10.8	10.2			18.0
20.0	7.4	7.7	9.6	9.2	8.5	8.1		7.2	8.6	9.5	8.7	8.1			20.0
22.0	6.7	6.9	8.0	7.5	6.9	6.5		6.4	7.7	7.8	7.0	6.4			22.0
24.0	6.1	6.2	6.6	6.2	5.6	5.2		5.8	7.0	6.5	5.7	5.1			24.0
26.0	5.5	5.6	5.5	5.1	4.5	4.1		5.3	5.9	5.4	4.6	4.0			26.0
28.0	5.1	5.1	4.6	4.2	3.6	3.2		4.8	5.0	4.5	3.7	3.1			28.0
30.0	4.7	4.4	3.8	3.4	2.8	2.4		4.4	4.2	3.7	3.0	2.4			30.0
32.0	4.3	3.8	3.2	2.8	2.2	1.8		4.0	3.5	3.0	2.3	1.8			32.0
34.0	3.6	3.2	2.6	2.2	1.6	1.3		3.7	3.0	2.5	1.8	1.3			34.0
36.0	3.1	2.7	2.1	1.7	1.1			3.1	2.4	1.9	1.2				36.0
38.0	2.7	2.2	1.7	1.3				2.6	2.0	1.5					38.0
40.0								2.2	1.6	1.1					40.0
42.0								1.8	1.2						42.0
Reeving	5							4						Reeving	
Hook	60t Anchor Hook												Hook		
Telescoping mode	I	1	1	1	1	2	3		1	1	1	2	3	I	Telescoping mode
	II	1	1	2	3	3	2		1	2	3	3	3	II	
	III	2	3	3	3	2	2		3	3	3	3	2	III	
	IV	3	3	3	2	2	2		3	3	3	2	2	IV	
	V	3	3	2	2	2	2		3	3	2	2	2	V	
	VI	3	2	2	2	2	2		3	2	2	2	2	VI	

Table 25 Main boom

Unit: t

Outriggers completely extended 8 m, with 13t counterweight, side and rear operations														
Working radius (m)	Boom length (m)												Working radius (m)	
	55.1	55.1	55.1	55.1★	59.7	59.7	59.7★		64.3	64.3★	68.9★	75.0★		
5.0													5.0	
5.5													5.5	
6.0													6.0	
7.0													7.0	
8.0													8.0	
9.0													9.0	
10.0													10.0	
11.0													11.0	
12.0	12.5	14.0	16.5	18.0									12.0	
14.0	11.0	12.6	14.8	16.2	11.0	13.0	14.0						14.0	
16.0	9.8	11.2	13.2	13.0	10.0	11.5	12.6		10.0	11.0			16.0	
18.0	8.8	10.1	11.0	10.3	9.2	10.5	10.5		9.5	10.0	8.8		18.0	
20.0	8.0	9.1	9.0	8.3	8.4	9.3	8.5		8.7	8.9	8.2	6.8	20.0	
22.0	7.2	8.2	7.3	6.6	7.7	7.7	6.9		8.0	7.2	7.5	6.5	22.0	
24.0	6.5	6.8	6.0	5.3	7.0	6.4	5.6		6.7	5.9	6.4	6.0	24.0	
26.0	5.9	5.7	4.9	4.2	6.1	5.2	4.5		5.7	4.9	5.3	5.2	26.0	
28.0	5.4	4.8	4.0	3.3	5.2	4.3	3.6		4.8	4.0	4.4	4.5	28.0	
30.0	4.6	4.0	3.2	2.5	4.4	3.5	2.8		4.0	3.2	3.6	3.7	30.0	
32.0	3.9	3.3	2.6	1.9	3.7	2.9	2.2		3.3	2.5	2.9	3.0	32.0	
34.0	3.3	2.7	2.0	1.3	3.1	2.3	1.6		2.7	1.9	2.3	2.4	34.0	
36.0	2.8	2.2	1.5		2.6	1.8	1.1		2.2	1.4	1.8	1.9	36.0	
38.0	2.4	1.8	1.1		2.2	1.4			1.7	1.0	1.4	1.5	38.0	
40.0	2.0	1.4			1.8	1.0			1.3		1.0	1.1	40.0	
42.0	1.6	1.0			1.4				1.0				42.0	
44.0													44.0	
46.0													46.0	
48.0													48.0	
50.0													50.0	
52.0													52.0	
54.0													54.0	
56.0													56.0	
58.0													58.0	
60.0													60.0	
62.0													62.0	
Reeving	3						3						Reeving	
Hook	60t Anchor Hook												Hook	
Telescoping mode	I	1	1	2	3	1	2	3		2	3	3	4	I
	II	2	3	3	3	3	3	3		3	3	3	4	II
	III	3	3	3	3	3	3	3		3	3	3	4	III
	IV	3	3	3	2	3	3	3		3	3	3	4	IV
	V	3	3	2	2	3	3	2		3	3	3	4	V
	VI	3	2	2	2	3	2	2		3	2	3	4	VI

Table 26 Main boom

Unit: t

Outriggers completely extended 8 m, with 2t counterweight, side and rear operations														
Working radius (m)	Boom length (m)												Working radius (m)	
	13.7★	18.3	18.3	18.3	18.3	18.3	22.9	22.9	22.9	22.9	22.9	22.9★		
3.0	100.0	40.5	65.0	85.0	85.0	85.0							3.0	
3.5	92.0	38.5	60.0	82.0	82.0	82.0	28.0	42.0	60.0	73.0	76.0	76.0	3.5	
4.0	85.0	36.0	56.0	77.0	79.0	79.0	26.0	39.0	56.0	68.0	73.0	73.0	4.0	
4.5	80.0	34.5	52.0	72.0	77.0	77.0	24.5	37.0	52.0	63.0	70.0	70.0	4.5	
5.0	74.0	33.0	49.0	67.0	71.0	71.0	23.0	34.5	49.0	60.0	68.0	68.0	5.0	
6.0	65.0	31.0	43.0	58.0	63.0	63.0	21.0	31.0	43.0	52.0	63.0	60.0	6.0	
7.0	40.0	27.5	38.0	45.0	44.5	43.5	19.0	28.0	39.0	43.5	42.0	40.0	7.0	
8.0	30.0	25.5	35.0	34.0	33.5	32.5	17.0	25.0	35.0	33.5	32.5	31.0	8.0	
9.0	23.0	23.5	26.0	25.5	25.0	24.0	16.0	23.0	26.5	25.5	24.5	23.0	9.0	
10.0	18.0	21.5	21.0	20.5	20.0	19.0	15.0	21.0	21.5	20.5	19.5	18.0	10.0	
11.0		17.5	17.0	16.5	16.0	15.0	13.8	18.5	18.0	17.0	16.0	14.5	11.0	
12.0		14.0	13.5	13.0	12.5	11.5	13.0	15.5	15.0	14.0	13.0	11.5	12.0	
14.0		10.5	10.0	9.5	9.0	8.0	11.0	11.5	11.0	10.0	9.0	7.5	14.0	
16.0							9.0	8.8	8.0	7.0	6.5	5.0	16.0	
18.0							7.0	6.8	6.0	5.0	4.5	3.0	18.0	
Reeving	12	12					12						Reeving	
Hook	60t Anchor Hook												Hook	
Telescoping mode	I	1	1	1	1	1	1	1	1	1	1	1	2	Telescoping mode
	II	1	1	1	1	1	2	1	1	1	1	2	2	
	III	1	1	1	1	2	1	1	1	1	2	2	1	
	IV	1	1	1	2	1	1	1	1	2	2	1	1	
	V	1	1	2	1	1	1	1	2	2	1	1	1	
	VI	1	2	1	1	1	1	3	2	1	1	1	1	

Table 27 Main boom

Unit: t

Outriggers completely extended 8 m, with 2t counterweight, side and rear operations															
Working radius (m)	Boom length (m)												Working radius (m)		
	27.5	27.5	27.5	27.5	27.5	27.5★	32.1	32.1	32.1	32.1	32.1	32.1★			
3.0														3.0	
3.5														3.5	
4.0														4.0	
4.5	22.5	22.5	40.5	56.0	67.0	67.0								4.5	
5.0	21.5	21.5	38.5	52.0	64.0	64.0								5.0	
6.0	19.0	19.0	34.5	46.5	58.0	58.0	16.5	21.0	23.5	37.5	52.0	50.0		6.0	
7.0	17.4	17.4	31.5	41.0	42.0	42.0	15.0	19.0	21.0	34.0	42.0	42.0		7.0	
8.0	15.8	15.8	28.8	34.0	33.0	31.0	13.7	17.5	19.0	31.0	32.5	31.0		8.0	
9.0	14.5	14.5	26.0	27.0	26.0	24.0	12.6	16.2	17.6	27.0	26.0	24.5		9.0	
10.0	13.4	13.4	23.0	22.0	21.0	19.0	11.6	15.0	16.2	22.5	21.5	20.0		10.0	
11.0	12.4	12.4	19.0	18.0	17.0	15.0	10.7	14.0	15.0	18.5	17.5	16.0		11.0	
12.0	11.5	11.5	16.0	15.0	14.0	12.0	10.0	13.0	14.0	15.0	14.5	13.0		12.0	
14.0	10.3	10.1	12.0	11.0	10.0	8.4	8.8	11.5	12.0	11.5	10.5	9.0		14.0	
16.0	9.0	8.8	9.0	8.0	7.0	5.6	7.8	9.7	9.3	9.1	8.1	6.5		16.0	
18.0	7.7	7.4	7.2	6.2	5.2	3.8	7.0	7.6	7.2	7.0	6.0	4.6		18.0	
20.0	6.0	5.7	5.5	4.5	3.5	2.3	6.0	6.0	5.6	5.4	4.4	3.0		20.0	
22.0	5.0	4.7	4.5	3.5	2.5	1.3	5.3	5.0	4.6	4.4	3.4	2.0		22.0	
24.0							4.3	4.0	3.6	3.4	2.4	1.0		24.0	
26.0							3.5	3.2	2.8	2.6	1.6			26.0	
Reeving	11						9						Reeving		
Hook	60t Anchor Hook												Hook		
Telescoping mode	I	1	1	1	1	1	2	1	1	1	1	1	2	I	Telescoping mode
	II	1	1	1	1	2	2	1	1	1	1	2	2	II	
	III	1	1	1	2	2	2	1	1	1	2	2	2	III	
	IV	1	1	2	2	2	1	1	2	3	2	2	2	IV	
	V	2	3	2	2	1	1	3	3	2	2	2	1	V	
	VI	3	2	2	1	1	1	3	2	2	2	1	1	VI	

Table 28 Main boom

Unit: t

Outriggers completely extended 8 m, with 2t counterweight, side and rear operations														
Working radius (m)	Boom length (m)												Working radius (m)	
	36.7	36.7	36.7	36.7	36.7	36.7★	41.3	41.3	41.3	41.3	41.3	41.3★		
3.0														3.0
3.5														3.5
4.0														4.0
4.5														4.5
5.0														5.0
5.5														5.5
6.0														6.0
7.0	16.0	19.0	23.0	23.5	37.5	42.0								7.0
8.0	15.0	17.1	21.0	21.5	35.0	32.5	15.0	18.0	19.5	23.5	30.0	33.0		8.0
9.0	13.8	15.6	19.5	19.5	28.0	26.0	14.0	16.8	18.0	22.0	27.0	26.5		9.0
10.0	12.8	14.4	18.0	18.0	23.0	21.0	12.8	15.4	16.5	20.3	22.5	22.0		10.0
11.0	11.9	13.3	16.6	16.6	19.0	17.5	11.8	14.3	15.3	18.9	19.0	18.5		11.0
12.0	11.2	12.3	15.0	15.0	16.0	14.5	11.0	13.3	14.2	16.0	15.7	15.2		12.0
14.0	9.8	10.7	12.0	12.0	11.7	10.2	9.6	11.6	12.3	12.0	11.7	11.2		14.0
16.0	8.8	9.3	9.5	9.0	8.7	7.5	8.4	10.0	9.5	9.0	8.7	8.3		16.0
18.0	7.8	7.9	7.5	7.0	6.7	5.5	7.5	8.0	7.5	7.0	6.7	6.3		18.0
20.0	6.8	6.3	5.9	5.7	5.4	4.0	6.7	6.4	6.0	5.5	5.2	4.7		20.0
22.0	5.5	5.0	4.6	4.4	4.2	2.8	5.7	5.2	4.8	4.3	4.0	3.6		22.0
24.0	4.5	4.0	3.6	3.4	3.2	1.8	4.7	4.2	3.8	3.3	3.0	2.6		24.0
26.0	3.7	3.2	2.8	2.6	2.5	1.1	3.9	3.4	3.0	2.5	2.2	1.8		26.0
28.0	3.0	2.5	2.1	1.9	1.8		3.2	2.8	2.4	1.9	1.6	1.2		28.0
30.0	2.4	2.1	1.7	1.3	1.2		2.6	2.2	1.8	1.3	1.0			30.0
32.0							2.1	1.7	1.3					32.0
34.0							1.7	1.3						34.0
Reeving	8						6						Reeving	
Hook	60t Anchor Hook												Hook	
Telescoping mode	I	1	1	1	1	1	2	1	1	1	1	1	2	I
	II	1	1	1	1	2	2	1	1	1	2	3	2	II
	III	1	1	2	3	2	2	1	2	3	3	2	2	III
	IV	2	3	3	2	2	2	3	3	3	2	2	2	IV
	V	3	3	2	2	2	2	3	3	2	2	2	2	V
	VI	3	2	2	2	2	1	3	2	2	2	2	2	VI



Table 29 Main boom

Unit: t

Outriggers completely extended 8 m, with 2t counterweight, side and rear operations															
Working radius (m)	Boom length (m)												Working radius (m)		
	45.9	45.9	45.9	45.9	45.9	45.9	★		50.5	50.5	50.5	50.5		50.5	★
3.0															3.0
3.5															3.5
4.0															4.0
4.5															4.5
5.0															5.0
5.5															5.5
6.0															6.0
7.0															7.0
8.0															8.0
9.0	14.5	15.5	19.5	23.0	26.0	25.5									9.0
10.0	13.5	14.5	18.0	21.5	21.0	20.5									10.0
11.0	12.6	13.6	16.8	19.0	18.0	17.5		12.5	14.5	17.0	18.0	17.0			11.0
12.0	11.8	12.7	15.6	16.0	15.3	14.8		11.5	13.5	16.0	15.4	14.7			12.0
14.0	10.3	11.0	12.0	11.6	10.9	10.4		10.2	12.0	12.0	11.2	10.5			14.0
16.0	9.2	9.7	9.4	9.0	8.3	7.8		9.0	9.5	8.9	8.1	7.6			16.0
18.0	8.2	8.0	7.3	6.9	6.2	5.7		8.0	7.6	7.0	6.2	5.7			18.0
20.0	6.9	6.4	5.7	5.3	4.6	4.2		6.8	6.1	5.5	4.7	4.2			20.0
22.0	5.6	5.1	4.5	4.1	3.4	3.0		5.6	4.9	4.3	3.5	3.0			22.0
24.0	4.6	4.1	3.5	3.1	2.4	2.0		4.5	3.8	3.3	2.5	2.0			24.0
26.0	3.8	3.3	2.7	2.3	1.7	1.3		3.7	3.0	2.5	1.7	1.2			26.0
28.0	3.1	2.6	2.0	1.6	1.0			3.0	2.3	1.9	1.1				28.0
30.0	2.5	2.0	1.5	1.1				2.4	1.7	1.3					30.0
32.0	2.0	1.5	1.0					2.0	1.3						32.0
34.0	1.6	1.1						1.5							34.0
36.0	1.2							1.1							36.0
38.0															38.0
40.0															40.0
42.0															42.0
Reeving	5							4						Reeving	
Hook	60t Anchor Hook												Hook		
Telescoping mode	I	1	1	1	1	2	3		1	1	1	2	3	I	Telescoping mode
	II	1	1	2	3	3	2		1	2	3	3	3	II	
	III	2	3	3	3	2	2		3	3	3	3	2	III	
	IV	3	3	3	2	2	2		3	3	3	2	2	IV	
	V	3	3	2	2	2	2		3	3	2	2	2	V	
	VI	3	2	2	2	2	2		3	2	2	2	2	VI	

Table 30 Main boom

Unit: t

Outriggers completely extended 8 m, with 2t counterweight, side and rear operations														
Working radius (m)	Boom length (m)												Working radius (m)	
	55.1	55.1	55.1	55.1★	59.7	59.7	59.7★		64.3	64.3★	68.9★	75.0★		
5.0													5.0	
5.5													5.5	
6.0													6.0	
7.0													7.0	
8.0													8.0	
9.0													9.0	
10.0													10.0	
11.0													11.0	
12.0	12.5	14.0	15.5	14.5									12.0	
14.0	11.0	12.5	11.6	10.6	11.0	11.5	11.0						14.0	
16.0	9.8	9.6	8.7	8.0	10.0	9.0	8.2		9.0	8.5			16.0	
18.0	8.0	7.5	6.6	5.9	7.9	7.0	6.2		7.5	6.6	7.0		18.0	
20.0	6.4	5.9	5.0	4.3	6.4	5.5	4.7		5.8	5.0	5.5	5.5	20.0	
22.0	5.1	4.7	3.8	3.1	5.1	4.2	3.5		4.6	3.8	4.2	4.3	22.0	
24.0	4.1	3.7	2.8	2.1	4.1	3.2	2.5		3.6	2.8	3.2	3.3	24.0	
26.0	3.2	2.8	2.0	1.2	3.2	2.3	1.6		2.8	2.0	2.4	2.5	26.0	
28.0	2.6	2.2	1.4		2.6	1.7	1.0		2.1	1.3	1.7	1.8	28.0	
30.0	2.0	1.6			2.0	1.1			1.5		1.1	1.2	30.0	
32.0	1.5	1.1			1.5				1.0				32.0	
34.0	1.2				1.0								34.0	
36.0													36.0	
38.0													38.0	
40.0													40.0	
42.0													42.0	
44.0													44.0	
46.0													46.0	
48.0													48.0	
50.0													50.0	
52.0													52.0	
54.0													54.0	
56.0													56.0	
58.0													58.0	
60.0													60.0	
62.0													62.0	
Reeving	3						3						Reeving	
Hook	60t Anchor Hook												Hook	
Telescoping	I	1	1	2	3	1	2	3		2	3	3	4	I
	II	2	3	3	3	3	3	3		3	3	3	4	II
	III	3	3	3	3	3	3	3		3	3	3	4	III
	IV	3	3	3	2	3	3	3		3	3	3	4	IV
	V	3	3	2	2	3	3	2		3	3	3	4	V
	VI	3	2	2	2	3	2	2		3	2	3	4	VI

Table 31 Main boom +Tip boom

Unit: t

Outriggers completely extended 8 m, with 40t counterweight, side and rear operations															
Working radius (m)	Boom length 3.0m, angle 30°												Working radius (m)		
	13.7★	18.3	18.3	18.3	18.3	18.3	22.9	22.9	22.9	22.9	22.9	22.9★			
3.0	18.0													3.0	
3.5	16.0													3.5	
4.0	16.0	16.0	16.0	16.0	16.0	16.0								4.0	
4.5	16.0	16.0	16.0	16.0	16.0	16.0								4.5	
5.0	16.0	16.0	16.0	16.0	16.0	16.0	16.0	16.0	16.0	16.0	16.0	16.0	16.0	5.0	
6.0	16.0	16.0	16.0	16.0	16.0	16.0	16.0	16.0	16.0	16.0	16.0	16.0	16.0	6.0	
7.0	16.0	16.0	16.0	16.0	16.0	16.0	16.0	16.0	16.0	16.0	16.0	16.0	16.0	7.0	
8.0	15.5	16.0	16.0	16.0	16.0	16.0	16.0	16.0	16.0	16.0	16.0	16.0	16.0	8.0	
9.0	15.0	16.0	16.0	16.0	16.0	16.0	16.0	16.0	16.0	16.0	16.0	16.0	16.0	9.0	
10.0	14.5	15.5	15.5	15.5	15.5	15.5	16.0	16.0	16.0	16.0	16.0	16.0	16.0	10.0	
11.0	14.0	15.0	15.0	15.0	15.0	15.0	16.0	16.0	16.0	16.0	16.0	16.0	16.0	11.0	
12.0	13.5	14.5	14.5	14.5	14.5	14.5	16.0	15.0	16.0	16.0	16.0	16.0	16.0	12.0	
14.0		14.0	14.0	14.0	14.0	14.0	15.5	13.0	15.5	15.5	15.5	15.5	15.5	14.0	
16.0		13.5	13.5	13.5	13.5	13.5	15.0	12.0	15.0	15.0	15.0	15.0	15.0	16.0	
18.0							14.0	11.0	14.0	14.0	14.0	14.0	14.0	18.0	
20.0							13.0	10.0	13.0	13.0	13.0	13.0	13.0	20.0	
22.0														22.0	
24.0														24.0	
26.0														26.0	
28.0														28.0	
30.0														30.0	
32.0														32.0	
34.0														34.0	
36.0														36.0	
38.0														38.0	
40.0														40.0	
42.0														42.0	
44.0														44.0	
46.0														46.0	
48.0														48.0	
50.0														50.0	
Reeving	3													Reeving	
Hook	18t													Hook	
Telescoping mode	I	1	1	1	1	1	1	1	1	1	1	1	2	I	Telescoping mode
	II	1	1	1	1	1	2	1	1	1	1	2	2	II	
	III	1	1	1	1	2	1	1	1	1	2	2	1	III	
	IV	1	1	1	2	1	1	1	1	2	2	1	1	IV	
	V	1	1	2	1	1	1	1	2	2	1	1	1	V	
	VI	1	2	1	1	1	1	3	2	1	1	1	1	VI	

Table 32 Main boom +Tip boom

Unit: t

Outriggers completely extended 8 m, with 40t counterweight, side and rear operations														
Working radius (m)	Boom length 3.0m, angle 30°												Working radius (m)	
	27.5	27.5	27.5	27.5	27.5	27.5 ★	32.1	32.1	32.1	32.1	32.1	32.1 ★		
3.0														3.0
3.5														3.5
4.0														4.0
4.5														4.5
5.0														5.0
6.0														6.0
7.0	14.0	14.0	16.0	16.0	16.0	16.0								7.0
8.0	13.0	13.0	16.0	16.0	16.0	16.0	11.0	13.0	15.0	16.0	16.0	16.0	16.0	8.0
9.0	12.0	12.0	16.0	16.0	16.0	16.0	10.0	12.0	13.0	16.0	16.0	16.0	16.0	9.0
10.0	11.0	11.0	16.0	16.0	16.0	16.0	9.5	11.5	12.5	16.0	16.0	16.0	16.0	10.0
11.0	10.0	10.0	16.0	16.0	16.0	16.0	9.0	11.0	12.0	16.0	16.0	16.0	16.0	11.0
12.0	9.0	9.0	15.5	16.0	16.0	16.0	8.0	10.0	11.0	16.0	16.0	16.0	16.0	12.0
14.0	8.0	8.0	15.0	16.0	16.0	16.0	7.5	9.0	10.0	15.0	16.0	16.0	16.0	14.0
16.0	7.0	7.0	13.5	15.5	16.0	16.0	6.5	8.0	9.0	14.0	16.0	16.0	16.0	16.0
18.0	6.5	6.5	12.0	15.0	15.5	15.5	6.0	7.5	8.0	13.0	16.0	16.0	16.0	18.0
20.0	6.0	6.0	11.0	14.5	14.0	14.0	5.5	7.0	7.5	12.0	15.0	15.0	15.0	20.0
22.0	5.5	5.5	10.5	12.5	12.0	12.0	5.0	6.4	7.0	11.5	13.0	13.0	13.0	22.0
24.0	5.0	5.0	10.0	12.0	11.5	11.0	4.5	5.9	6.4	11.0	12.0	11.0	11.0	24.0
26.0							4.2	5.5	5.8	10.0	11.0	10.0	10.0	26.0
28.0							3.8	5.1	5.3	9.5	9.8	8.8	8.8	28.0
30.0														30.0
32.0														32.0
34.0														34.0
36.0														36.0
38.0														38.0
40.0														40.0
42.0														42.0
44.0														44.0
46.0														46.0
48.0														48.0
50.0														50.0
Reeving	3													Reeving
Hook	18t													Hook
Telescoping mode	I	1	1	1	1	1	2	1	1	1	1	1	2	I
	II	1	1	1	1	2	2	1	1	1	1	2	2	II
	III	1	1	1	2	2	2	1	1	1	2	2	2	III
	IV	1	1	2	2	2	1	1	2	3	2	2	2	IV
	V	2	3	2	2	1	1	3	3	2	2	2	1	V
	VI	3	2	2	1	1	1	3	2	2	2	1	1	VI

Table 33 Main boom +Tip boom

Unit: t

Outriggers completely extended 8 m, with 40t counterweight, side and rear operations															
Working radius (m)	Boom length 3.0m, angle 30°												Working radius (m)		
	36.7	36.7	36.7	36.7	36.7	36.7★	41.3	41.3	41.3	41.3	41.3	41.3★			
3.0														3.0	
3.5														3.5	
4.0														4.0	
4.5														4.5	
5.0														5.0	
6.0														6.0	
7.0														7.0	
8.0														8.0	
9.0	11.0	13.0	15.0	16.0	16.0	16.0								9.0	
10.0	10.5	12.0	14.0	15.0	16.0	16.0	10.5	12.5	14.0	16.0	16.0	16.0	16.0	10.0	
11.0	9.5	11.0	13.0	14.0	16.0	16.0	10.0	12.0	13.0	16.0	16.0	16.0	16.0	11.0	
12.0	9.0	10.0	12.0	13.0	16.0	16.0	9.5	11.0	12.0	15.0	16.0	16.0	16.0	12.0	
14.0	8.0	9.0	11.0	11.0	16.0	16.0	8.3	9.5	10.5	13.0	15.0	16.0	16.0	14.0	
16.0	7.0	8.0	10.5	10.5	15.0	16.0	7.3	8.5	9.0	11.0	14.5	15.0	16.0	16.0	
18.0	6.5	7.0	9.5	9.5	14.0	16.0	6.5	8.0	8.5	10.5	13.0	14.5	18.0	18.0	
20.0	6.0	6.5	8.5	8.5	13.0	15.0	5.8	7.0	7.5	9.5	11.0	14.0	20.0	20.0	
22.0	5.4	5.7	7.7	7.7	12.5	12.5	5.3	6.4	6.6	9.0	10.5	13.0	22.0	22.0	
24.0	4.9	5.2	7.0	7.0	11.0	11.0	4.8	5.8	6.0	8.0	9.5	12.5	24.0	24.0	
26.0	4.5	4.8	6.5	6.5	10.5	10.0	4.3	5.3	5.5	7.5	9.0	11.0	26.0	26.0	
28.0	4.2	4.5	6.0	6.0	10.0	9.0	3.9	4.8	5.0	6.7	8.0	9.5	28.0	28.0	
30.0	3.9	4.2	5.5	5.5	9.0	8.0	3.6	4.4	4.6	6.3	7.5	8.5	30.0	30.0	
32.0	3.6	3.7	5.0	5.0	7.8	7.0	3.3	4.0	4.2	5.7	7.0	7.5	32.0	32.0	
34.0							3.0	3.7	3.9	5.4	6.5	6.5	34.0	34.0	
36.0							2.8	3.5	3.6	5.0	6.3	5.9	36.0	36.0	
38.0													38.0	38.0	
40.0													40.0	40.0	
42.0													42.0	42.0	
44.0													44.0	44.0	
46.0													46.0	46.0	
48.0													48.0	48.0	
50.0													50.0	50.0	
Reeving	3												Reeving		
Hook	18t												Hook		
Telescoping mode	I	1	1	1	1	1	2	1	1	1	1	1	2	I	Telescoping mode
	II	1	1	1	1	2	2	1	1	1	2	3	2	II	
	III	1	1	2	3	2	2	1	2	3	3	2	2	III	
	IV	2	3	3	2	2	2	3	3	3	2	2	2	IV	
	V	3	3	2	2	2	2	3	3	2	2	2	2	V	
	VI	3	2	2	2	2	1	3	2	2	2	2	2	VI	

Table 34 Main boom +Tip boom

Unit: t

Outriggers completely extended 8 m, with 40t counterweight, side and rear operations															
Working radius (m)	Boom length 3.0m, angle 30°												Working radius (m)		
	45.9	45.9	45.9	45.9	45.9	45.9	★		50.5	50.5	50.5	50.5		50.5	★
3.0															3.0
3.5															3.5
4.0															4.0
4.5															4.5
5.0															5.0
5.5															5.5
6.0															6.0
7.0															7.0
8.0															8.0
9.0															9.0
10.0															10.0
11.0															11.0
12.0	9.5	11.0	13.0	14.0	16.0	16.0									12.0
14.0	8.5	9.5	11.5	13.0	15.0	15.0		9.0	10.5	12.0	13.0	15.0			14.0
16.0	7.5	8.5	10.0	12.0	14.0	14.0		8.0	9.5	11.0	12.0	14.0			16.0
18.0	7.1	7.7	9.5	11.0	13.0	13.0		7.0	8.5	10.0	11.0	13.0			18.0
20.0	6.4	6.9	8.4	10.0	12.0	12.0		6.0	7.5	9.0	10.5	11.5			20.0
22.0	5.7	6.1	7.6	9.0	11.0	11.0		5.5	6.5	8.0	9.5	10.5			22.0
24.0	5.2	5.5	7.0	8.5	10.0	10.0		5.0	6.0	7.4	9.0	9.5			24.0
26.0	4.8	5.0	6.3	7.8	9.5	9.5		4.5	5.5	6.8	8.0	9.0			26.0
28.0	4.3	4.5	5.8	7.3	8.5	8.5		4.2	5.0	6.3	7.5	8.0			28.0
30.0	4.0	4.1	5.3	6.7	8.0	8.0		3.8	4.6	5.8	7.0	7.0			30.0
32.0	3.6	3.7	4.8	6.2	7.5	7.2		3.5	4.3	5.3	6.5	6.5			32.0
34.0	3.4	3.4	4.3	5.7	6.5	6.2		3.2	4.0	4.8	5.8	6.0			34.0
36.0	3.1	3.1	4.0	5.2	5.7	5.4		2.9	3.7	4.4	5.5	5.3			36.0
38.0	2.8	2.8	3.7	4.8	5.0	4.7		2.7	3.4	4.0	5.0	4.7			38.0
40.0	2.6	2.6	3.5	4.2	4.4	4.1		2.4	3.1	3.7	4.5	4.0			40.0
42.0								2.2	2.9	3.4	4.0	3.5			42.0
44.0								2.0	2.6	3.1	3.4	2.9			44.0
46.0															46.0
48.0															48.0
50.0															50.0
Reeving	3												Reeving		
Hook	18t												Hook		
Telescoping mode	I	1	1	1	1	2	3		1	1	1	2	3	I	Telescoping mode
	II	1	1	2	3	3	2		1	2	3	3	3	II	
	III	2	3	3	3	2	2		3	3	3	3	2	III	
	IV	3	3	3	2	2	2		3	3	3	2	2	IV	
	V	3	3	2	2	2	2		3	3	2	2	2	V	
	VI	3	2	2	2	2	2		3	2	2	2	2	VI	

Table 35 Main boom +Tip boom

Unit: t

Outriggers completely extended 8 m, with 40t counterweight, side and rear operations														
Working radius (m)	Boom length 3.0m, angle 30°												Working radius (m)	
	55.1	55.1	55.1	55.1★	59.7	59.7	59.7★		64.3	64.3★	68.9★	75.0★		
4.0													4.0	
4.5													4.5	
5.0													5.0	
5.5													5.5	
6.0													6.0	
7.0													7.0	
8.0													8.0	
9.0													9.0	
10.0													10.0	
11.0													11.0	
12.0													12.0	
14.0													14.0	
16.0	8.5	10.0	11.0	12.0	8.5	10.0	11.0						16.0	
18.0	7.5	9.0	10.0	11.0	8.0	9.0	10.0		8.0	9.0			18.0	
20.0	7.0	8.0	9.0	10.0	7.5	8.5	9.5		7.5	8.0	7.0		20.0	
22.0	6.3	7.4	8.5	9.5	6.5	7.5	8.5		7.0	7.5	7.0	5.5	22.0	
24.0	5.7	6.7	7.5	9.0	6.0	7.0	8.0		6.5	7.0	6.5	5.5	24.0	
26.0	5.2	6.1	7.0	8.4	5.5	6.5	7.4		6.0	6.5	6.0	5.5	26.0	
28.0	4.7	5.5	6.5	7.5	5.0	6.0	6.8		5.5	6.0	5.5	5.3	28.0	
30.0	4.3	5.1	6.0	6.8	4.7	5.5	6.3		5.0	5.5	5.0	4.9	30.0	
32.0	4.0	4.8	5.6	6.3	4.3	5.0	5.7		4.6	5.1	4.7	4.5	32.0	
34.0	3.7	4.4	5.2	5.5	4.0	4.6	5.3		4.3	4.8	4.4	4.2	34.0	
36.0	3.4	4.0	4.7	5.0	3.6	4.3	4.8		4.0	4.4	4.2	3.9	36.0	
38.0	3.1	3.7	4.4	4.5	3.3	4.0	4.4		3.7	4.1	3.9	3.6	38.0	
40.0	2.9	3.4	4.1	4.0	3.1	3.7	4.0		3.4	3.8	3.6	3.3	40.0	
42.0	2.6	3.1	3.8	3.5	2.8	3.4	3.6		3.2	3.5	3.3	3.0	42.0	
44.0	2.4	2.8	3.5	3.0	2.6	3.1	3.2		3.0	3.1	3.1	2.8	44.0	
46.0	2.2	2.6	3.1	2.5	2.4	2.8	2.8		2.8	2.9	2.9	2.6	46.0	
48.0	2.0	2.5	2.7	2.2	2.2	2.6	2.4		2.5	2.6	2.6	2.4	48.0	
50.0					2.0	2.4	2.0		2.3	2.3	2.4	2.2	50.0	
52.0					1.9	2.3	1.7		2.1	1.8	2.1	2.0	52.0	
54.0									1.9	1.5	1.8	1.8	54.0	
56.0									1.8	1.3	1.6	1.6	56.0	
58.0											1.3	1.3	58.0	
60.0											1.0	1.1	60.0	
Reeving	3							2					Reeving	
Hook	18t												Hook	
Telescoping mode	I	1	1	2	3	1	2	3		2	3	3	4	I
	II	2	3	3	3	3	3	3		3	3	3	4	II
	III	3	3	3	3	3	3	3		3	3	3	4	III
	IV	3	3	3	2	3	3	3		3	3	3	4	IV
	V	3	3	2	2	3	3	2		3	3	3	4	V
	VI	3	2	2	2	3	2	2		3	2	3	4	VI

Table 36 Main boom +Tip boom

Unit: t

Outriggers completely extended 8 m, with 27t counterweight, side and rear operations														
Working radius (m)	Boom length 3.0m, angle 30°												Working radius (m)	
	13.7★	18.3	18.3	18.3	18.3	18.3★	22.9	22.9	22.9	22.9	22.9	22.9★		
3.0	18.0												3.0	
3.5	16.0												3.5	
4.0	16.0	16.0	16.0	16.0	16.0	16.0							4.0	
4.5	16.0	16.0	16.0	16.0	16.0	16.0							4.5	
5.0	16.0	16.0	16.0	16.0	16.0	16.0	16.0	16.0	16.0	16.0	16.0	16.0	5.0	
6.0	16.0	16.0	16.0	16.0	16.0	16.0	16.0	16.0	16.0	16.0	16.0	16.0	6.0	
7.0	16.0	16.0	16.0	16.0	16.0	16.0	16.0	16.0	16.0	16.0	16.0	16.0	7.0	
8.0	15.5	16.0	16.0	16.0	16.0	16.0	16.0	16.0	16.0	16.0	16.0	16.0	8.0	
9.0	15.0	16.0	16.0	16.0	16.0	16.0	16.0	16.0	16.0	16.0	16.0	16.0	9.0	
10.0	14.5	15.5	15.5	15.5	15.5	15.5	16.0	16.0	16.0	16.0	16.0	16.0	10.0	
11.0	14.0	15.0	15.0	15.0	15.0	15.0	16.0	16.0	16.0	16.0	16.0	16.0	11.0	
12.0	13.5	14.5	14.5	14.5	14.5	14.5	16.0	15.0	16.0	16.0	16.0	16.0	12.0	
14.0		14.0	14.0	14.0	14.0	14.0	15.5	13.0	15.5	15.5	15.5	15.5	14.0	
16.0		13.5	13.5	13.5	13.5	13.5	15.0	12.0	15.0	15.0	15.0	15.0	16.0	
18.0							14.0	11.0	14.0	14.0	14.0	14.0	18.0	
20.0							13.0	10.0	13.0	13.0	12.5	11.5	20.0	
22.0													22.0	
24.0													24.0	
26.0													26.0	
28.0													28.0	
30.0													30.0	
32.0													32.0	
34.0													34.0	
36.0													36.0	
38.0													38.0	
40.0													40.0	
42.0													42.0	
44.0													44.0	
46.0													46.0	
48.0													48.0	
50.0													50.0	
Reeving	3												Reeving	
Hook	18t												Hook	
Telescoping mode	I	1	1	1	1	1	1	1	1	1	1	1	2	I
	II	1	1	1	1	1	2	1	1	1	1	2	2	II
	III	1	1	1	1	2	1	1	1	1	2	2	1	III
	IV	1	1	1	2	1	1	1	1	2	2	1	1	IV
	V	1	1	2	1	1	1	1	2	2	1	1	1	V
	VI	1	2	1	1	1	1	3	2	1	1	1	1	VI



Table 37 Main boom +Tip boom

Unit: t

Outriggers completely extended 8 m, with 27t counterweight, side and rear operations															
Working radius (m)	Boom length 3.0m, angle 30°												Working radius (m)		
	27.5	27.5	27.5	27.5	27.5	27.5 ★	32.1	32.1	32.1	32.1	32.1	32.1 ★			
3.0														3.0	
3.5														3.5	
4.0														4.0	
4.5														4.5	
5.0														5.0	
6.0														6.0	
7.0	14.0	14.0	16.0	16.0	16.0	16.0								7.0	
8.0	13.0	13.0	16.0	16.0	16.0	16.0	11.0	13.0	15.0	16.0	16.0	16.0	16.0	8.0	
9.0	12.0	12.0	16.0	16.0	16.0	16.0	10.0	12.0	13.0	16.0	16.0	16.0	16.0	9.0	
10.0	11.0	11.0	16.0	16.0	16.0	16.0	9.5	11.5	12.5	16.0	16.0	16.0	16.0	10.0	
11.0	10.0	10.0	16.0	16.0	16.0	16.0	9.0	11.0	12.0	16.0	16.0	16.0	16.0	11.0	
12.0	9.0	9.0	15.5	16.0	16.0	16.0	8.0	10.0	11.0	16.0	16.0	16.0	16.0	12.0	
14.0	8.0	8.0	15.0	16.0	16.0	16.0	7.5	9.0	10.0	15.0	16.0	16.0	16.0	14.0	
16.0	7.0	7.0	13.5	15.5	16.0	15.5	6.5	8.0	9.0	14.0	16.0	15.5	16.0	16.0	
18.0	6.5	6.5	12.0	15.0	15.5	15.0	6.0	7.5	8.0	13.0	15.5	15.0	18.0	18.0	
20.0	6.0	6.0	11.0	14.0	13.0	12.0	5.5	7.0	7.5	12.0	13.5	12.5	20.0	20.0	
22.0	5.5	5.5	10.5	12.0	11.0	10.0	5.0	6.4	7.0	11.5	11.5	10.5	22.0	22.0	
24.0	5.0	5.0	10.0	10.0	9.0	8.0	4.5	5.9	6.4	10.5	9.5	8.5	24.0	24.0	
26.0							4.2	5.5	5.8	9.0	8.0	7.0	26.0	26.0	
28.0							3.8	5.1	5.3	8.0	7.0	6.0	28.0	28.0	
30.0													30.0	30.0	
32.0													32.0	32.0	
34.0													34.0	34.0	
36.0													36.0	36.0	
38.0													38.0	38.0	
40.0													40.0	40.0	
42.0													42.0	42.0	
44.0													44.0	44.0	
46.0													46.0	46.0	
48.0													48.0	48.0	
50.0													50.0	50.0	
Reeving	3													Reeving	
Hook	18t													Hook	
Telescoping mode	I	1	1	1	1	1	2	1	1	1	1	1	2	I	Telescoping mode
	II	1	1	1	1	2	2	1	1	1	1	2	2	II	
	III	1	1	1	2	2	2	1	1	1	2	2	2	III	
	IV	1	1	2	2	2	1	1	2	3	2	2	2	IV	
	V	2	3	2	2	1	1	3	3	2	2	2	1	V	
	VI	3	2	2	1	1	1	3	2	2	2	1	1	VI	

Table 38 Main boom +Tip boom

Unit: t

Outriggers completely extended 8 m, with 27t counterweight, side and rear operations														
Working radius (m)	Boom length 3.0m, angle 30°												Working radius (m)	
	36.7	36.7	36.7	36.7	36.7	36.7★	41.3	41.3	41.3	41.3	41.3	41.3★		
3.0														3.0
3.5														3.5
4.0														4.0
4.5														4.5
5.0														5.0
6.0														6.0
7.0														7.0
8.0														8.0
9.0	11.0	13.0	15.0	16.0	16.0	16.0								9.0
10.0	10.5	12.0	14.0	15.0	16.0	16.0	10.5	12.5	14.0	16.0	16.0	16.0	16.0	10.0
11.0	9.5	11.0	13.0	14.0	16.0	16.0	10.0	12.0	13.0	16.0	16.0	16.0	16.0	11.0
12.0	9.0	10.0	12.0	13.0	16.0	16.0	9.5	11.0	12.0	15.0	16.0	16.0	16.0	12.0
14.0	8.0	9.0	11.0	11.0	16.0	16.0	8.3	9.5	10.5	13.0	15.0	16.0	16.0	14.0
16.0	7.0	8.0	10.5	10.5	15.0	16.0	7.3	8.5	9.0	11.0	14.5	15.0	16.0	16.0
18.0	6.5	7.0	9.5	9.5	14.0	15.5	6.5	8.0	8.5	10.5	13.0	14.5	16.0	18.0
20.0	6.0	6.5	8.5	8.5	13.0	13.0	5.8	7.0	7.5	9.5	11.0	13.5	16.0	20.0
22.0	5.4	5.7	7.7	7.7	12.0	11.0	5.3	6.4	6.6	9.0	10.5	11.5	16.0	22.0
24.0	4.9	5.2	7.0	7.0	10.5	9.3	4.8	5.8	6.0	8.0	9.5	10.0	16.0	24.0
26.0	4.5	4.8	6.5	6.5	9.0	7.8	4.3	5.3	5.5	7.5	9.0	8.5	16.0	26.0
28.0	4.2	4.5	6.0	6.0	7.8	6.6	3.9	4.8	5.0	6.7	7.6	7.2	16.0	28.0
30.0	3.9	4.2	5.5	5.5	6.8	5.6	3.6	4.4	4.6	6.3	6.6	6.2	16.0	30.0
32.0	3.6	3.7	5.0	5.0	5.8	4.6	3.3	4.0	4.2	5.7	5.7	5.3	16.0	32.0
34.0							3.0	3.7	3.9	5.2	4.9	4.5	16.0	34.0
36.0							2.8	3.5	3.6	4.5	4.2	3.8	16.0	36.0
38.0													16.0	38.0
40.0													16.0	40.0
42.0													16.0	42.0
44.0													16.0	44.0
46.0													16.0	46.0
48.0													16.0	48.0
50.0													16.0	50.0
Reeving	3												Reeving	
Hook	18t												Hook	
Telescoping mode	I	1	1	1	1	1	2	1	1	1	1	1	2	I
	II	1	1	1	1	2	2	1	1	1	2	3	2	II
	III	1	1	2	3	2	2	1	2	3	3	2	2	III
	IV	2	3	3	2	2	2	3	3	3	2	2	2	IV
	V	3	3	2	2	2	2	3	3	2	2	2	2	V
	VI	3	2	2	2	2	1	3	2	2	2	2	2	2

Table 39 Main boom +Tip boom

Unit: t

Outriggers completely extended 8 m, with 27t counterweight, side and rear operations															
Working radius (m)	Boom length 3.0m, angle 30°												Working radius (m)		
	45.9	45.9	45.9	45.9	45.9	45.9	★		50.5	50.5	50.5	50.5		50.5	★
3.0														3.0	
3.5														3.5	
4.0														4.0	
4.5														4.5	
5.0														5.0	
5.5														5.5	
6.0														6.0	
7.0														7.0	
8.0														8.0	
9.0														9.0	
10.0														10.0	
11.0														11.0	
12.0	9.5	11.0	13.0	14.0	16.0	16.0								12.0	
14.0	8.5	9.5	11.5	13.0	15.0	15.0		9.0	10.5	12.0	13.0	15.0		14.0	
16.0	7.5	8.5	10.0	12.0	14.0	14.0		8.0	9.5	11.0	12.0	14.0		16.0	
18.0	7.1	7.7	9.5	11.0	13.0	13.0		7.0	8.5	10.0	11.0	13.0		18.0	
20.0	6.4	6.9	8.4	10.0	12.0	12.0		6.0	7.5	9.0	10.5	11.5		20.0	
22.0	5.7	6.1	7.6	9.0	11.0	11.0		5.5	6.5	8.0	9.5	10.5		22.0	
24.0	5.2	5.5	7.0	8.5	9.5	9.5		5.0	6.0	7.4	9.0	9.5		24.0	
26.0	4.8	5.0	6.3	7.8	8.4	8.0		4.5	5.5	6.8	8.0	8.0		26.0	
28.0	4.3	4.5	5.8	7.3	7.2	6.8		4.2	5.0	6.3	7.2	6.7		28.0	
30.0	4.0	4.1	5.3	6.7	6.1	5.7		3.8	4.6	5.8	6.2	5.7		30.0	
32.0	3.6	3.7	4.8	5.6	5.2	4.8		3.5	4.3	5.3	5.3	4.8		32.0	
34.0	3.4	3.4	4.3	4.9	4.5	4.1		3.2	4.0	4.8	4.5	4.0		34.0	
36.0	3.1	3.1	4.0	4.2	3.8	3.4		2.9	3.7	4.4	3.9	3.4		36.0	
38.0	2.8	2.8	3.7	3.6	3.2	2.8		2.7	3.4	3.8	3.3	2.8		38.0	
40.0	2.6	2.6	3.5	3.0	2.6	2.2		2.4	3.1	3.2	2.7	2.2		40.0	
42.0								2.2	2.9	2.8	2.1	1.6		42.0	
44.0								2.0	2.6	2.4	1.7	1.2		44.0	
46.0														46.0	
48.0														48.0	
50.0														50.0	
Reeving	3												Reeving		
Hook	18t												Hook		
Telescoping mode	I	1	1	1	1	2	3		1	1	1	2	3	I	Telescoping mode
	II	1	1	2	3	3	2		1	2	3	3	3	II	
	III	2	3	3	3	2	2		3	3	3	3	2	III	
	IV	3	3	3	2	2	2		3	3	3	2	2	IV	
	V	3	3	2	2	2	2		3	3	2	2	2	V	
	VI	3	2	2	2	2	2		3	2	2	2	2	VI	

Table 40 Main boom +Tip boom

Unit: t

Outriggers completely extended 8 m, with 27t counterweight, side and rear operations														
Working radius (m)	Boom length 3.0m, angle 30°												Working radius (m)	
	55.1	55.1	55.1	55.1★	59.7	59.7	59.7★		64.3	64.3★	68.9★	75.0★		
4.0														4.0
4.5														4.5
5.0														5.0
5.5														5.5
6.0														6.0
7.0														7.0
8.0														8.0
9.0														9.0
10.0														10.0
11.0														11.0
12.0														12.0
14.0														14.0
16.0	8.5	10.0	11.0	12.0	8.5	10.0	11.0							16.0
18.0	7.5	9.0	10.0	11.0	8.0	9.0	10.0		8.0	9.0				18.0
20.0	7.0	8.0	9.0	10.0	7.5	8.5	9.5		7.5	8.0	7.0			20.0
22.0	6.3	7.4	8.5	9.5	6.5	7.5	8.5		7.0	7.5	7.0	5.5		22.0
24.0	5.7	6.7	7.5	9.0	6.0	7.0	8.0		6.5	7.0	6.5	5.5		24.0
26.0	5.2	6.1	7.0	8.0	5.5	6.5	7.4		6.0	6.5	6.0	5.5		26.0
28.0	4.7	5.5	6.5	7.0	5.0	6.0	6.8		5.5	6.0	5.5	5.3		28.0
30.0	4.3	5.1	6.0	5.8	4.7	5.5	6.2		5.0	5.5	5.0	4.9		30.0
32.0	4.0	4.8	5.5	4.9	4.3	5.0	5.2		4.6	5.1	4.7	4.5		32.0
34.0	3.7	4.4	4.8	4.2	4.0	4.6	4.4		4.3	4.8	4.4	4.2		34.0
36.0	3.4	4.0	4.0	3.4	3.6	4.3	3.7		4.0	4.0	4.2	3.9		36.0
38.0	3.1	3.7	3.4	2.8	3.3	3.8	3.1		3.7	3.5	3.9	3.6		38.0
40.0	2.9	3.4	2.8	2.2	3.1	3.2	2.5		3.4	2.8	3.3	3.3		40.0
42.0	2.6	3.1	2.4	1.8	2.8	2.7	2.0		3.0	2.4	2.8	3.0		42.0
44.0	2.4	2.7	2.0	1.4	2.6	2.3	1.6		2.7	2.0	2.3	2.5		44.0
46.0	2.2	2.3	1.6	1.0	2.4	1.9	1.2		2.2	1.6	1.9	2.1		46.0
48.0	2.0	1.9	1.2		2.2	1.5	1.0		1.8	1.2	1.5	1.7		48.0
50.0					1.8	1.2			1.5		1.2	1.3		50.0
52.0											1.0	1.0		52.0
54.0														54.0
56.0														56.0
58.0														58.0
60.0														60.0
Reeving	3							2					Reeving	
Hook	18t												Hook	
Telescoping mode	I	1	1	2	3	1	2	3		2	3	3	4	I
	II	2	3	3	3	3	3	3		3	3	3	4	II
	III	3	3	3	3	3	3	3		3	3	3	4	III
	IV	3	3	3	2	3	3	3		3	3	3	4	IV
	V	3	3	2	2	3	3	2		3	3	3	4	V
	VI	3	2	2	2	3	2	2		3	2	3	4	VI

Table 41 Main boom +Tip boom

Unit: t

Outriggers completely extended 8 m, with 23t counterweight, side and rear operations														
Working radius (m)	Boom length 3.0m, angle 30°												Working radius (m)	
	13.7★	18.3	18.3	18.3	18.3	18.3	22.9	22.9	22.9	22.9	22.9	22.9		★
3.0	18.0													3.0
3.5	16.0													3.5
4.0	16.0	16.0	16.0	16.0	16.0	16.0								4.0
4.5	16.0	16.0	16.0	16.0	16.0	16.0								4.5
5.0	16.0	16.0	16.0	16.0	16.0	16.0	16.0	16.0	16.0	16.0	16.0	16.0	16.0	5.0
6.0	16.0	16.0	16.0	16.0	16.0	16.0	16.0	16.0	16.0	16.0	16.0	16.0	16.0	6.0
7.0	16.0	16.0	16.0	16.0	16.0	16.0	16.0	16.0	16.0	16.0	16.0	16.0	16.0	7.0
8.0	15.5	16.0	16.0	16.0	16.0	16.0	16.0	16.0	16.0	16.0	16.0	16.0	16.0	8.0
9.0	15.0	16.0	16.0	16.0	16.0	16.0	16.0	16.0	16.0	16.0	16.0	16.0	16.0	9.0
10.0	14.5	15.5	15.5	15.5	15.5	15.5	16.0	16.0	16.0	16.0	16.0	16.0	16.0	10.0
11.0	14.0	15.0	15.0	15.0	15.0	15.0	16.0	16.0	16.0	16.0	16.0	16.0	16.0	11.0
12.0	13.5	14.5	14.5	14.5	14.5	14.5	16.0	15.0	16.0	16.0	16.0	16.0	16.0	12.0
14.0		14.0	14.0	14.0	14.0	14.0	15.5	13.0	15.5	15.5	15.5	15.5	15.5	14.0
16.0		13.5	13.5	13.5	13.5	13.5	15.0	12.0	15.0	15.0	15.0	15.0	15.0	16.0
18.0							14.0	11.0	14.0	14.0	14.0	14.0	13.0	18.0
20.0							13.0	10.0	12.5	12.0	11.5	10.3	10.3	20.0
22.0														22.0
24.0														24.0
26.0														26.0
28.0														28.0
30.0														30.0
32.0														32.0
34.0														34.0
36.0														36.0
38.0														38.0
40.0														40.0
42.0														42.0
44.0														44.0
46.0														46.0
48.0														48.0
50.0														50.0
Reeving	3													Reeving
Hook	18t													Hook
Telescoping mode	I	1	1	1	1	1	1	1	1	1	1	1	2	I
	II	1	1	1	1	1	2	1	1	1	1	2	2	II
	III	1	1	1	1	2	1	1	1	1	2	2	1	III
	IV	1	1	1	2	1	1	1	1	2	2	1	1	IV
	V	1	1	2	1	1	1	1	2	2	1	1	1	V
	VI	1	2	1	1	1	1	3	2	1	1	1	1	VI

Table 42 Main boom +Tip boom

Unit: t

Outriggers completely extended 8 m, with 23t counterweight, side and rear operations														
Working radius (m)	Boom length 3.0m, angle 30°												Working radius (m)	
	27.5	27.5	27.5	27.5	27.5	27.5 ★	32.1	32.1	32.1	32.1	32.1	32.1 ★		
3.0														3.0
3.5														3.5
4.0														4.0
4.5														4.5
5.0														5.0
6.0														6.0
7.0	14.0	14.0	16.0	16.0	16.0	16.0								7.0
8.0	13.0	13.0	16.0	16.0	16.0	16.0	11.0	13.0	15.0	16.0	16.0	16.0	16.0	8.0
9.0	12.0	12.0	16.0	16.0	16.0	16.0	10.0	12.0	13.0	16.0	16.0	16.0	16.0	9.0
10.0	11.0	11.0	16.0	16.0	16.0	16.0	9.5	11.5	12.5	16.0	16.0	16.0	16.0	10.0
11.0	10.0	10.0	16.0	16.0	16.0	16.0	9.0	11.0	12.0	16.0	16.0	16.0	16.0	11.0
12.0	9.0	9.0	15.5	16.0	16.0	16.0	8.0	10.0	11.0	16.0	16.0	16.0	16.0	12.0
14.0	8.0	8.0	15.0	16.0	16.0	16.0	7.5	9.0	10.0	15.0	16.0	16.0	16.0	14.0
16.0	7.0	7.0	13.5	15.5	15.5	15.5	6.5	8.0	9.0	14.0	15.5	15.5	15.5	16.0
18.0	6.5	6.5	12.0	15.0	14.5	13.0	6.0	7.5	8.0	13.0	15.0	14.0	14.0	18.0
20.0	6.0	6.0	11.0	12.5	12.0	10.5	5.5	7.0	7.5	12.0	12.5	11.3	11.3	20.0
22.0	5.5	5.5	10.5	10.5	10.0	8.5	5.0	6.4	7.0	11.3	10.5	9.3	9.3	22.0
24.0	5.0	5.0	9.5	9.0	8.3	7.0	4.5	5.9	6.4	9.7	8.9	7.7	7.7	24.0
26.0							4.2	5.5	5.8	8.5	7.7	6.3	6.3	26.0
28.0							3.8	5.1	5.3	7.3	6.5	5.1	5.1	28.0
30.0														30.0
32.0														32.0
34.0														34.0
36.0														36.0
38.0														38.0
40.0														40.0
42.0														42.0
44.0														44.0
46.0														46.0
48.0														48.0
50.0														50.0
Reeving	3												Reeving	
Hook	18t												Hook	
Telescoping mode	I	1	1	1	1	1	2	1	1	1	1	1	2	I
	II	1	1	1	1	2	2	1	1	1	1	2	2	II
	III	1	1	1	2	2	2	1	1	1	2	2	2	III
	IV	1	1	2	2	2	1	1	2	3	2	2	2	IV
	V	2	3	2	2	1	1	3	3	2	2	2	1	V
	VI	3	2	2	1	1	1	3	2	2	2	2	1	1

Table 43 Main boom +Tip boom

Unit: t

Outriggers completely extended 8 m, with 23t counterweight, side and rear operations														
Working radius (m)	Boom length 3.0m, angle 30°												Working radius (m)	
	36.7	36.7	36.7	36.7	36.7	36.7★	41.3	41.3	41.3	41.3	41.3	41.3★		
3.0														3.0
3.5														3.5
4.0														4.0
4.5														4.5
5.0														5.0
6.0														6.0
7.0														7.0
8.0														8.0
9.0	11.0	13.0	15.0	16.0	16.0	16.0								9.0
10.0	10.5	12.0	14.0	15.0	16.0	16.0	10.5	12.5	14.0	16.0	16.0	16.0	16.0	10.0
11.0	9.5	11.0	13.0	14.0	16.0	16.0	10.0	12.0	13.0	16.0	16.0	16.0	16.0	11.0
12.0	9.0	10.0	12.0	13.0	16.0	16.0	9.5	11.0	12.0	15.0	16.0	16.0	16.0	12.0
14.0	8.0	9.0	11.0	11.0	16.0	16.0	8.3	9.5	10.5	13.0	15.0	16.0	16.0	14.0
16.0	7.0	8.0	10.5	10.5	15.0	15.5	7.3	8.5	9.0	11.0	14.5	15.0	16.0	16.0
18.0	6.5	7.0	9.5	9.5	14.0	14.5	6.5	8.0	8.5	10.5	13.0	14.5	18.0	18.0
20.0	6.0	6.5	8.5	8.5	13.0	12.0	5.8	7.0	7.5	9.5	11.0	12.5	20.0	20.0
22.0	5.4	5.7	7.7	7.7	11.0	10.0	5.3	6.4	6.6	9.0	10.5	10.1	22.0	22.0
24.0	4.9	5.2	7.0	7.0	9.5	8.3	4.8	5.8	6.0	8.0	9.4	9.0	24.0	24.0
26.0	4.5	4.8	6.5	6.5	8.2	7.0	4.3	5.3	5.5	7.5	8.0	7.6	26.0	26.0
28.0	4.2	4.5	6.0	6.0	7.0	5.8	3.9	4.8	5.0	6.7	6.8	6.4	28.0	28.0
30.0	3.9	4.2	5.5	5.5	6.0	4.8	3.6	4.4	4.6	6.1	5.9	5.5	30.0	30.0
32.0	3.6	3.7	5.0	5.0	5.2	4.0	3.3	4.0	4.2	5.2	5.0	4.6	32.0	32.0
34.0							3.0	3.7	3.9	4.5	4.3	3.9	34.0	34.0
36.0							2.8	3.5	3.6	3.9	3.6	3.3	36.0	36.0
38.0													38.0	38.0
40.0													40.0	40.0
42.0													42.0	42.0
44.0													44.0	44.0
46.0													46.0	46.0
48.0													48.0	48.0
50.0													50.0	50.0
Reeving	3												Reeving	
Hook	18t												Hook	
Telescoping mode	I	1	1	1	1	1	2	1	1	1	1	1	2	I
	II	1	1	1	1	2	2	1	1	1	2	3	2	II
	III	1	1	2	3	2	2	1	2	3	3	2	2	III
	IV	2	3	3	2	2	2	3	3	3	2	2	2	IV
	V	3	3	2	2	2	2	3	3	2	2	2	2	V
	VI	3	2	2	2	2	1	3	2	2	2	2	2	VI

Table 44 Main boom +Tip boom

Unit: t

Outriggers completely extended 8 m, with 23t counterweight, side and rear operations														
Working radius (m)	Boom length 3.0m, angle 30°												Working radius (m)	
	45.9	45.9	45.9	45.9	45.9	45.9 ★		50.5	50.5	50.5	50.5	50.5 ★		
3.0														3.0
3.5														3.5
4.0														4.0
4.5														4.5
5.0														5.0
5.5														5.5
6.0														6.0
7.0														7.0
8.0														8.0
9.0														9.0
10.0														10.0
11.0														11.0
12.0	9.5	11.0	13.0	14.0	16.0	16.0								12.0
14.0	8.5	9.5	11.5	13.0	15.0	15.0		9.0	10.5	12.0	13.0	15.0		14.0
16.0	7.5	8.5	10.0	12.0	14.0	14.0		8.0	9.5	11.0	12.0	14.0		16.0
18.0	7.1	7.7	9.5	11.0	13.0	13.0		7.0	8.5	10.0	11.0	13.0		18.0
20.0	6.4	6.9	8.4	10.0	12.0	12.0		6.0	7.5	9.0	10.5	11.5		20.0
22.0	5.7	6.1	7.6	9.0	10.5	10.1		5.5	6.5	8.0	9.5	10.0		22.0
24.0	5.2	5.5	7.0	8.5	8.9	8.5		5.0	6.0	7.4	9.0	8.5		24.0
26.0	4.8	5.0	6.3	7.8	7.5	7.1		4.5	5.5	6.8	7.6	7.1		26.0
28.0	4.3	4.5	5.8	6.9	6.3	6.0		4.2	5.0	6.3	6.4	5.9		28.0
30.0	4.0	4.1	5.3	5.9	5.3	5.0		3.8	4.6	5.8	5.5	5.0		30.0
32.0	3.6	3.7	4.8	5.1	4.5	4.2		3.5	4.3	5.3	4.6	4.1		32.0
34.0	3.4	3.4	4.3	4.3	3.7	3.4		3.2	4.0	4.5	3.8	3.3		34.0
36.0	3.1	3.1	4.1	3.7	3.1	2.8		2.9	3.7	3.9	3.2	2.7		36.0
38.0	2.8	2.8	3.5	3.1	2.5	2.2		2.7	3.4	3.3	2.6	2.1		38.0
40.0	2.6	2.6	3.0	2.6	2.0	1.7		2.4	3.1	2.8	2.1	1.6		40.0
42.0								2.2	2.8	2.3	1.7	1.2		42.0
44.0								2.0	2.4	1.9	1.3			44.0
46.0														46.0
48.0														48.0
50.0														50.0
Reeving	3												Reeving	
Hook	18t												Hook	
Telescoping mode	I	1	1	1	1	2	3		1	1	1	2	3	I
	II	1	1	2	3	3	2		1	2	3	3	3	II
	III	2	3	3	3	2	2		3	3	3	3	2	III
	IV	3	3	3	2	2	2		3	3	3	2	2	IV
	V	3	3	2	2	2	2		3	3	2	2	2	V
	VI	3	2	2	2	2	2		3	2	2	2	2	VI



Table 45 Main boom +Tip boom

Unit: t

Outriggers completely extended 8 m, with 23t counterweight, side and rear operations														
Working radius (m)	Boom length 3.0m, angle 30°												Working radius (m)	
	55.1	55.1	55.1	55.1★	59.7	59.7	59.7★		64.3	64.3★	68.9★	75.0★		
4.0													4.0	
4.5													4.5	
5.0													5.0	
5.5													5.5	
6.0													6.0	
7.0													7.0	
8.0													8.0	
9.0													9.0	
10.0													10.0	
11.0													11.0	
12.0													12.0	
14.0													14.0	
16.0	8.5	10.0	11.0	12.0	8.5	10.0	11.0						16.0	
18.0	7.5	9.0	10.0	11.0	8.0	9.0	10.0		8.0	9.0			18.0	
20.0	7.0	8.0	9.0	10.0	7.2	8.5	9.5		7.5	8.0	7.0		20.0	
22.0	6.3	7.4	8.5	9.5	6.5	7.5	8.5		7.0	7.5	7.0	5.5	22.0	
24.0	5.7	6.7	7.5	8.7	6.0	7.0	8.0		6.5	7.0	6.5	5.5	24.0	
26.0	5.2	6.1	7.0	7.2	5.5	6.5	7.4		6.0	6.5	6.0	5.5	26.0	
28.0	4.7	5.5	6.5	6.1	5.0	6.0	6.4		5.5	6.0	5.5	5.3	28.0	
30.0	4.3	5.1	5.7	5.1	4.7	5.5	5.4		5.0	5.5	5.0	4.9	30.0	
32.0	4.0	4.8	4.8	4.2	4.3	5.0	4.5		4.6	4.8	4.7	4.5	32.0	
34.0	3.7	4.4	4.1	3.5	4.0	4.4	3.8		4.3	4.0	4.4	4.2	34.0	
36.0	3.4	4.0	3.5	2.9	3.6	3.8	3.1		4.0	3.3	3.7	3.9	36.0	
38.0	3.1	3.6	2.9	2.3	3.3	3.2	2.5		3.6	2.8	3.2	3.3	38.0	
40.0	2.9	3.1	2.4	1.8	3.1	2.7	2.0		3.0	2.2	2.6	2.7	40.0	
42.0	2.6	2.6	1.9	1.3	2.8	2.2	1.5		2.6	1.9	2.2	2.3	42.0	
44.0	2.4	2.2	1.5		2.6	1.8	1.1		2.2	1.5	1.8	1.9	44.0	
46.0	2.2	1.8	1.1		2.2	1.4			1.8	1.1	1.4	1.5	46.0	
48.0	2.0	1.5			1.8	1.1			1.4		1.0	1.1	48.0	
50.0					1.5				1.1				50.0	
52.0													52.0	
54.0													54.0	
56.0													56.0	
58.0													58.0	
60.0													60.0	
Reeving	3							2					Reeving	
Hook	18t												Hook	
Telescoping mode	I	1	1	2	3	1	2	3		2	3	3	4	I
	II	2	3	3	3	3	3	3		3	3	3	4	II
	III	3	3	3	3	3	3	3		3	3	3	4	III
	IV	3	3	3	2	3	3	3		3	3	3	4	IV
	V	3	3	2	2	3	3	2		3	3	3	4	V
	VI	3	2	2	2	3	2	2		3	2	3	4	VI

Table 46 Main boom +Tip boom

Unit: t

Outriggers completely extended 8 m, with 18t counterweight, side and rear operations														
Working radius (m)	Boom length 3.0m, angle 30°												Working radius (m)	
	13.7★	18.3	18.3	18.3	18.3	18.3	22.9	22.9	22.9	22.9	22.9	22.9★		
3.0	18.0													3.0
3.5	16.0													3.5
4.0	16.0	16.0	16.0	16.0	16.0	16.0								4.0
4.5	16.0	16.0	16.0	16.0	16.0	16.0								4.5
5.0	16.0	16.0	16.0	16.0	16.0	16.0	16.0	16.0	16.0	16.0	16.0	16.0	16.0	5.0
6.0	16.0	16.0	16.0	16.0	16.0	16.0	16.0	16.0	16.0	16.0	16.0	16.0	16.0	6.0
7.0	16.0	16.0	16.0	16.0	16.0	16.0	16.0	16.0	16.0	16.0	16.0	16.0	16.0	7.0
8.0	15.5	16.0	16.0	16.0	16.0	16.0	16.0	16.0	16.0	16.0	16.0	16.0	16.0	8.0
9.0	15.0	16.0	16.0	16.0	16.0	16.0	16.0	16.0	16.0	16.0	16.0	16.0	16.0	9.0
10.0	14.5	15.5	15.5	15.5	15.5	15.5	16.0	16.0	16.0	16.0	16.0	16.0	16.0	10.0
11.0	14.0	15.0	15.0	15.0	15.0	15.0	16.0	16.0	16.0	16.0	16.0	16.0	16.0	11.0
12.0	13.5	14.5	14.5	14.5	14.5	14.5	16.0	15.0	16.0	16.0	16.0	16.0	16.0	12.0
14.0		14.0	14.0	14.0	14.0	14.0	15.5	13.0	15.5	15.5	15.5	15.5	15.5	14.0
16.0		13.5	13.5	13.5	13.5	13.5	15.0	12.0	15.0	15.0	15.0	14.0		16.0
18.0							14.0	11.0	13.5	13.0	12.0	11.0		18.0
20.0							12.0	10.0	11.0	10.5	9.5	8.5		20.0
22.0														22.0
24.0														24.0
26.0														26.0
28.0														28.0
30.0														30.0
32.0														32.0
34.0														34.0
36.0														36.0
38.0														38.0
40.0														40.0
42.0														42.0
44.0														44.0
46.0														46.0
48.0														48.0
50.0														50.0
Reeving	3												Reeving	
Hook	18t												Hook	
Telescoping mode	I	1	1	1	1	1	1	1	1	1	1	1	2	I
	II	1	1	1	1	1	2	1	1	1	1	2	2	II
	III	1	1	1	1	2	1	1	1	1	2	2	1	III
	IV	1	1	1	2	1	1	1	1	2	2	1	1	IV
	V	1	1	2	1	1	1	1	2	2	1	1	1	V
	VI	1	2	1	1	1	1	3	2	1	1	1	1	VI

Table 47 Main boom +Tip boom

Unit: t

Outriggers completely extended 8 m, with 18t counterweight, side and rear operations														
Working radius (m)	Boom length 3.0m, angle 30°												Working radius (m)	
	27.5	27.5	27.5	27.5	27.5	27.5 ★	32.1	32.1	32.1	32.1	32.1	32.1 ★		
3.0														3.0
3.5														3.5
4.0														4.0
4.5														4.5
5.0														5.0
6.0														6.0
7.0	14.0	14.0	16.0	16.0	16.0	16.0								7.0
8.0	13.0	13.0	16.0	16.0	16.0	16.0	11.0	13.0	15.0	16.0	16.0	16.0	16.0	8.0
9.0	12.0	12.0	16.0	16.0	16.0	16.0	10.0	12.0	13.0	16.0	16.0	16.0	16.0	9.0
10.0	11.0	11.0	16.0	16.0	16.0	16.0	9.5	11.5	12.5	16.0	16.0	16.0	16.0	10.0
11.0	10.0	10.0	16.0	16.0	16.0	16.0	9.0	11.0	12.0	16.0	16.0	16.0	16.0	11.0
12.0	9.0	9.0	15.5	16.0	16.0	16.0	8.0	10.0	11.0	16.0	16.0	16.0	16.0	12.0
14.0	8.0	8.0	15.0	16.0	16.0	15.5	7.5	9.0	10.0	15.0	16.0	15.5	14.0	14.0
16.0	7.0	7.0	13.5	15.5	15.5	14.5	6.5	8.0	9.0	14.0	15.5	15.0	16.0	16.0
18.0	6.5	6.5	12.0	13.5	12.5	11.5	6.0	7.5	8.0	13.0	13.4	12.0	18.0	18.0
20.0	6.0	6.0	11.0	11.2	10.2	9.0	5.5	7.0	7.5	11.7	10.8	9.6	20.0	20.0
22.0	5.5	5.5	10.0	9.3	8.3	7.1	5.0	6.4	7.0	10.0	9.0	7.8	22.0	22.0
24.0	5.0	5.0	8.5	7.8	6.8	5.6	4.5	5.9	6.4	8.5	7.5	6.3	24.0	24.0
26.0							4.2	5.5	5.8	7.2	6.2	5.0	26.0	26.0
28.0							3.8	5.1	5.3	6.1	5.1	4.0	28.0	28.0
30.0													30.0	30.0
32.0													32.0	32.0
34.0													34.0	34.0
36.0													36.0	36.0
38.0													38.0	38.0
40.0													40.0	40.0
42.0													42.0	42.0
44.0													44.0	44.0
46.0													46.0	46.0
48.0													48.0	48.0
50.0													50.0	50.0
Reeving	3												Reeving	
Hook	18t												Hook	
Telescoping mode	I	1	1	1	1	1	2	1	1	1	1	1	2	I
	II	1	1	1	1	2	2	1	1	1	1	2	2	II
	III	1	1	1	2	2	2	1	1	1	2	2	2	III
	IV	1	1	2	2	2	1	1	2	3	2	2	2	IV
	V	2	3	2	2	1	1	3	3	2	2	2	1	V
	VI	3	2	2	1	1	1	3	2	2	2	1	1	VI

Table 48 Main boom +Tip boom

Unit: t

Outriggers completely extended 8 m, with 18t counterweight, side and rear operations														
Working radius (m)	Boom length 3.0m, angle 30°												Working radius (m)	
	36.7	36.7	36.7	36.7	36.7	36.7★	41.3	41.3	41.3	41.3	41.3	41.3★		
3.0														3.0
3.5														3.5
4.0														4.0
4.5														4.5
5.0														5.0
6.0														6.0
7.0														7.0
8.0														8.0
9.0	11.0	13.0	15.0	16.0	16.0	16.0								9.0
10.0	10.5	12.0	14.0	15.0	16.0	16.0	10.5	12.5	14.0	16.0	16.0	16.0	16.0	10.0
11.0	9.5	11.0	13.0	14.0	16.0	16.0	10.0	12.0	13.0	16.0	16.0	16.0	16.0	11.0
12.0	9.0	10.0	12.0	13.0	16.0	16.0	9.5	11.0	12.0	15.0	16.0	16.0	16.0	12.0
14.0	8.0	9.0	11.0	11.0	16.0	16.0	8.3	9.5	10.5	13.0	15.0	16.0	16.0	14.0
16.0	7.0	8.0	10.5	10.5	15.0	15.0	7.3	8.5	9.0	11.0	14.5	15.0	16.0	16.0
18.0	6.5	7.0	9.5	9.5	14.0	12.5	6.5	8.0	8.5	10.5	13.0	13.5	18.0	18.0
20.0	6.0	6.5	8.5	8.5	11.6	10.1	5.8	7.0	7.5	9.5	11.0	11.6	20.0	20.0
22.0	5.4	5.7	7.7	7.7	9.7	8.2	5.3	6.4	6.6	9.0	9.5	9.1	22.0	22.0
24.0	4.9	5.2	7.0	7.0	8.2	6.7	4.8	5.8	6.0	8.0	7.9	7.5	24.0	24.0
26.0	4.5	4.8	6.5	6.5	6.9	5.6	4.3	5.3	5.5	6.9	6.7	6.3	26.0	26.0
28.0	4.2	4.5	6.0	6.0	5.8	4.5	3.9	4.8	5.0	5.9	5.7	5.3	28.0	28.0
30.0	3.9	4.2	5.4	5.2	5.0	3.7	3.6	4.4	4.6	5.0	4.8	4.4	30.0	30.0
32.0	3.6	3.7	4.7	4.5	4.3	3.0	3.3	4.0	4.2	4.2	4.0	3.6	32.0	32.0
34.0							3.0	3.7	3.9	3.6	3.4	3.0	34.0	34.0
36.0							2.8	3.5	3.4	3.0	2.8	2.4	36.0	36.0
38.0													38.0	38.0
40.0													40.0	40.0
42.0													42.0	42.0
44.0													44.0	44.0
46.0													46.0	46.0
48.0													48.0	48.0
50.0													50.0	50.0
Reeving	3												Reeving	
Hook	18t												Hook	
Telescoping mode	I	1	1	1	1	1	2	1	1	1	1	1	2	I
	II	1	1	1	1	2	2	1	1	1	2	3	2	II
	III	1	1	2	3	2	2	1	2	3	3	2	2	III
	IV	2	3	3	2	2	2	3	3	3	2	2	2	IV
	V	3	3	2	2	2	2	3	3	2	2	2	2	V
	VI	3	2	2	2	2	1	3	2	2	2	2	2	VI

Table 49 Main boom +Tip boom

Unit: t

Outriggers completely extended 8 m, with 18t counterweight, side and rear operations															
Working radius (m)	Boom length 3.0m, angle 30°												Working radius (m)		
	45.9	45.9	45.9	45.9	45.9	45.9	★		50.5	50.5	50.5	50.5		50.5	★
3.0														3.0	
3.5														3.5	
4.0														4.0	
4.5														4.5	
5.0														5.0	
5.5														5.5	
6.0														6.0	
7.0														7.0	
8.0														8.0	
9.0														9.0	
10.0														10.0	
11.0														11.0	
12.0	9.5	11.0	13.0	14.0	16.0	16.0								12.0	
14.0	8.5	9.5	11.5	13.0	15.0	15.0		9.0	10.5	12.0	13.0	15.0		14.0	
16.0	7.5	8.5	10.0	12.0	14.0	14.0		8.0	9.5	11.0	12.0	14.0		16.0	
18.0	7.1	7.7	9.5	11.0	13.0	12.6		7.0	8.5	10.0	11.0	12.8		18.0	
20.0	6.4	6.9	8.4	10.0	10.9	10.5		6.0	7.5	9.0	10.5	10.4		20.0	
22.0	5.7	6.1	7.6	9.0	9.0	8.6		5.5	6.5	8.0	9.0	8.6		22.0	
24.0	5.2	5.5	7.0	8.0	7.4	7.0		5.0	6.0	7.4	7.6	7.0		24.0	
26.0	4.8	5.0	6.3	6.8	6.2	5.8		4.5	5.5	6.8	6.3	5.7		26.0	
28.0	4.3	4.5	5.8	5.7	5.1	4.8		4.2	5.0	5.9	5.2	4.6		28.0	
30.0	4.0	4.1	5.2	4.8	4.2	3.9		3.8	4.6	5.0	4.3	3.7		30.0	
32.0	3.6	3.7	4.4	4.0	3.5	3.2		3.5	4.3	4.2	3.6	3.0		32.0	
34.0	3.4	3.4	3.8	3.4	2.9	2.6		3.2	4.0	3.6	3.0	2.4		34.0	
36.0	3.1	3.1	3.2	2.8	2.3	2.0		2.9	3.5	3.0	2.4	1.8		36.0	
38.0	2.8	2.8	2.6	2.2	1.7	1.4		2.7	3.0	2.5	1.9	1.3		38.0	
40.0	2.6	2.6	2.2	1.8	1.3	1.0		2.4	2.5	2.0	1.4			40.0	
42.0								2.2	2.0	1.6	1.0			42.0	
44.0								2.0	1.7	1.3				44.0	
46.0														46.0	
48.0														48.0	
50.0														50.0	
Reeving	3												Reeving		
Hook	18t												Hook		
Telescoping mode	I	1	1	1	1	2	3		1	1	1	2	3	I	Telescoping mode
	II	1	1	2	3	3	2		1	2	3	3	3	II	
	III	2	3	3	3	2	2		3	3	3	3	2	III	
	IV	3	3	3	2	2	2		3	3	3	2	2	IV	
	V	3	3	2	2	2	2		3	3	2	2	2	V	
	VI	3	2	2	2	2	2		3	2	2	2	2	VI	

Table 50 Main boom +Tip boom

Unit: t

Outriggers completely extended 8 m, with 18t counterweight, side and rear operations														
Working radius (m)	Boom length 3.0m, angle 30°												Working radius (m)	
	55.1	55.1	55.1	55.1★	59.7	59.7	59.7★		64.3	64.3★	68.9★	75.0★		
4.0													4.0	
4.5													4.5	
5.0													5.0	
5.5													5.5	
6.0													6.0	
7.0													7.0	
8.0													8.0	
9.0													9.0	
10.0													10.0	
11.0													11.0	
12.0													12.0	
14.0													14.0	
16.0	8.5	10.0	11.0	12.0	8.5	10.0	11.0						16.0	
18.0	7.5	9.0	10.0	11.0	8.0	9.0	10.0		8.0	9.0			18.0	
20.0	7.0	8.0	9.0	10.0	7.2	8.5	9.5		7.5	8.0	7.0		20.0	
22.0	6.3	7.4	8.5	8.6	6.5	7.5	8.5		7.0	7.5	7.0	5.5	22.0	
24.0	5.7	6.7	7.5	7.2	6.0	7.0	7.5		6.5	7.0	6.5	5.5	24.0	
26.0	5.2	6.1	6.5	5.9	5.5	6.5	6.2		6.0	6.5	6.0	5.5	26.0	
28.0	4.7	5.5	5.5	4.9	5.0	5.8	5.1		5.5	5.5	5.5	5.3	28.0	
30.0	4.3	5.1	4.6	4.0	4.7	4.9	4.2		5.0	4.6	5.0	4.9	30.0	
32.0	4.0	4.6	3.8	3.2	4.3	4.1	3.4		4.5	3.8	4.2	4.3	32.0	
34.0	3.7	3.9	3.1	2.5	4.0	3.5	2.8		3.8	3.1	3.5	3.6	34.0	
36.0	3.4	3.3	2.6	2.0	3.6	2.9	2.2		3.2	2.5	2.9	3.0	36.0	
38.0	3.1	2.8	2.1	1.5	3.1	2.4	1.7		2.7	2.0	2.4	2.5	38.0	
40.0	2.8	2.3	1.6	1.0	2.6	1.9	1.2		2.2	1.5	1.9	2.0	40.0	
42.0	2.4	1.9	1.2		2.2	1.5			1.8	1.1	1.4	1.5	42.0	
44.0	2.0	1.5			1.8	1.1			1.4		1.0	1.1	44.0	
46.0	1.7	1.2			1.5				1.1				46.0	
48.0	1.4				1.2								48.0	
50.0													50.0	
52.0													52.0	
54.0													54.0	
56.0													56.0	
58.0													58.0	
60.0													60.0	
Reeving	3							2					Reeving	
Hook	18t												Hook	
Telescoping mode	I	1	1	2	3	1	2	3		2	3	3	4	I
	II	2	3	3	3	3	3	3		3	3	3	4	II
	III	3	3	3	3	3	3	3		3	3	3	4	III
	IV	3	3	3	2	3	3	3		3	3	3	4	IV
	V	3	3	2	2	3	3	2		3	3	3	4	V
	VI	3	2	2	2	3	2	2		3	2	3	4	VI

Table 51 Main boom +Tip boom

Unit: t

Outriggers completely extended 8 m, with 13t counterweight, side and rear operations															
Working radius (m)	Boom length 3.0m, angle 30°												Working radius (m)		
	13.7★	18.3	18.3	18.3	18.3	18.3	22.9	22.9	22.9	22.9	22.9	22.9★			
3.0	18.0													3.0	
3.5	16.0													3.5	
4.0	16.0	16.0	16.0	16.0	16.0	16.0								4.0	
4.5	16.0	16.0	16.0	16.0	16.0	16.0								4.5	
5.0	16.0	16.0	16.0	16.0	16.0	16.0	16.0	16.0	16.0	16.0	16.0	16.0	16.0	5.0	
6.0	16.0	16.0	16.0	16.0	16.0	16.0	16.0	16.0	16.0	16.0	16.0	16.0	16.0	6.0	
7.0	16.0	16.0	16.0	16.0	16.0	16.0	16.0	16.0	16.0	16.0	16.0	16.0	16.0	7.0	
8.0	15.5	16.0	16.0	16.0	16.0	16.0	16.0	16.0	16.0	16.0	16.0	16.0	16.0	8.0	
9.0	15.0	16.0	16.0	16.0	16.0	16.0	16.0	16.0	16.0	16.0	16.0	16.0	16.0	9.0	
10.0	14.5	15.5	15.5	15.5	15.5	15.5	16.0	16.0	16.0	16.0	16.0	16.0	16.0	10.0	
11.0	14.0	15.0	15.0	15.0	15.0	15.0	16.0	16.0	16.0	16.0	16.0	16.0	16.0	11.0	
12.0	13.5	14.5	14.5	14.5	14.5	14.5	16.0	15.0	16.0	16.0	16.0	16.0	16.0	12.0	
14.0		14.0	14.0	14.0	14.0	14.0	15.5	13.0	15.5	15.5	15.5	15.5	15.0	14.0	
16.0		13.5	13.5	13.5	13.0	12.5	15.0	12.0	14.0	13.5	12.7	11.7		16.0	
18.0							12.4	11.0	11.5	10.8	10.0	9.0		18.0	
20.0							10.2	9.7	9.4	8.7	7.9	6.8		20.0	
22.0														22.0	
24.0														24.0	
26.0														26.0	
28.0														28.0	
30.0														30.0	
32.0														32.0	
34.0														34.0	
36.0														36.0	
38.0														38.0	
40.0														40.0	
42.0														42.0	
44.0														44.0	
46.0														46.0	
48.0														48.0	
50.0														50.0	
Reeving	3													Reeving	
Hook	18t													Hook	
Telescoping mode	I	1	1	1	1	1	1	1	1	1	1	1	2	I	Telescoping mode
	II	1	1	1	1	1	2	1	1	1	1	2	2	II	
	III	1	1	1	1	2	1	1	1	1	2	2	1	III	
	IV	1	1	1	2	1	1	1	1	2	2	1	1	IV	
	V	1	1	2	1	1	1	1	2	2	1	1	1	V	
	VI	1	2	1	1	1	1	3	2	1	1	1	1	VI	

Table 52 Main boom +Tip boom

Unit: t

Outriggers completely extended 8 m, with 13t counterweight, side and rear operations														
Working radius (m)	Boom length 3.0m, angle 30°												Working radius (m)	
	27.5	27.5	27.5	27.5	27.5	27.5 ★	32.1	32.1	32.1	32.1	32.1	32.1 ★		
3.0														3.0
3.5														3.5
4.0														4.0
4.5														4.5
5.0														5.0
6.0														6.0
7.0	14.0	14.0	16.0	16.0	16.0	16.0								7.0
8.0	13.0	13.0	16.0	16.0	16.0	16.0	11.0	13.0	15.0	16.0	16.0	16.0	16.0	8.0
9.0	12.0	12.0	16.0	16.0	16.0	16.0	10.0	12.0	13.0	16.0	16.0	16.0	16.0	9.0
10.0	11.0	11.0	16.0	16.0	16.0	16.0	9.5	11.5	12.5	16.0	16.0	16.0	16.0	10.0
11.0	10.0	10.0	16.0	16.0	16.0	16.0	9.0	11.0	12.0	16.0	16.0	16.0	16.0	11.0
12.0	9.0	9.0	15.5	16.0	16.0	16.0	8.0	10.0	11.0	16.0	16.0	16.0	16.0	12.0
14.0	8.0	8.0	15.0	15.5	15.5	15.5	7.5	9.0	10.0	15.0	15.5	15.5	15.5	14.0
16.0	7.0	7.0	13.5	14.5	13.5	12.0	6.5	8.0	9.0	14.0	14.0	12.8	12.8	16.0
18.0	6.5	6.5	12.0	11.5	10.5	9.4	6.0	7.5	8.0	12.0	11.0	9.8	9.8	18.0
20.0	6.0	6.0	10.0	9.4	8.4	7.3	5.5	7.0	7.5	10.0	9.0	7.8	7.8	20.0
22.0	5.5	5.5	8.4	7.7	6.8	5.6	5.0	6.4	7.0	8.4	7.4	6.2	6.2	22.0
24.0	5.0	5.0	7.0	6.3	5.5	4.2	4.5	5.9	6.4	7.0	6.0	4.8	4.8	24.0
26.0							4.2	5.5	5.8	5.9	4.9	3.7	3.7	26.0
28.0							3.8	5.1	5.2	5.0	4.0	2.8	2.8	28.0
30.0														30.0
32.0														32.0
34.0														34.0
36.0														36.0
38.0														38.0
40.0														40.0
42.0														42.0
44.0														44.0
46.0														46.0
48.0														48.0
50.0														50.0
Reeving	3													Reeving
Hook	18t													Hook
Telescoping mode	I	1	1	1	1	1	2	1	1	1	1	1	2	I
	II	1	1	1	1	2	2	1	1	1	1	2	2	II
	III	1	1	1	2	2	2	1	1	1	2	2	2	III
	IV	1	1	2	2	2	1	1	2	3	2	2	2	IV
	V	2	3	2	2	1	1	3	3	2	2	2	1	V
	VI	3	2	2	1	1	1	3	2	2	2	1	1	VI



Table 53 Main boom +Tip boom

Unit: t

Outriggers completely extended 8 m, with 13t counterweight, side and rear operations														
Working radius (m)	Boom length 3.0m, angle 30°												Working radius (m)	
	36.7	36.7	36.7	36.7	36.7	36.7★	41.3	41.3	41.3	41.3	41.3	41.3★		
3.0														3.0
3.5														3.5
4.0														4.0
4.5														4.5
5.0														5.0
6.0														6.0
7.0														7.0
8.0														8.0
9.0	11.0	13.0	15.0	16.0	16.0	16.0								9.0
10.0	10.5	12.0	14.0	15.0	16.0	16.0	10.5	12.5	14.0	16.0	16.0	16.0	16.0	10.0
11.0	9.5	11.0	13.0	14.0	16.0	16.0	10.0	12.0	13.0	16.0	16.0	16.0	16.0	11.0
12.0	9.0	10.0	12.0	13.0	16.0	16.0	9.5	11.0	12.0	15.0	16.0	16.0	16.0	12.0
14.0	8.0	9.0	11.0	11.0	16.0	15.5	8.3	9.5	10.5	13.0	15.0	15.5	15.5	14.0
16.0	7.0	8.0	10.5	10.5	14.5	13.5	7.3	8.5	9.0	11.0	14.5	14.0	14.0	16.0
18.0	6.5	7.0	9.5	9.5	12.0	10.5	6.5	8.0	8.5	10.5	11.8	11.3	11.3	18.0
20.0	6.0	6.5	8.5	8.5	9.8	8.5	5.8	7.0	7.5	9.5	9.6	9.1	9.1	20.0
22.0	5.4	5.7	7.7	7.7	8.1	6.8	5.3	6.4	6.6	8.1	7.9	7.4	7.4	22.0
24.0	4.9	5.2	7.0	7.0	6.7	5.5	4.8	5.8	6.0	6.8	6.6	6.1	6.1	24.0
26.0	4.5	4.8	6.1	5.9	5.6	4.4	4.3	5.3	5.5	5.6	5.4	5.0	5.0	26.0
28.0	4.2	4.5	5.1	4.9	4.7	3.5	3.9	4.8	5.0	4.7	4.5	4.1	4.1	28.0
30.0	3.9	4.2	4.3	4.1	3.9	2.7	3.6	4.4	4.3	3.9	3.7	3.3	3.3	30.0
32.0	3.6	3.7	3.6	3.4	3.2	2.0	3.3	4.0	3.6	3.2	3.0	2.6	2.6	32.0
34.0							3.0	3.4	3.0	2.6	2.4	2.0	2.0	34.0
36.0							2.8	2.8	2.4	2.0	1.8	1.4	1.4	36.0
38.0														38.0
40.0														40.0
42.0														42.0
44.0														44.0
46.0														46.0
48.0														48.0
50.0														50.0
Reeving	3												Reeving	
Hook	18t												Hook	
Telescoping mode	I	1	1	1	1	1	2	1	1	1	1	1	2	I
	II	1	1	1	1	2	2	1	1	1	2	3	2	II
	III	1	1	2	3	2	2	1	2	3	3	2	2	III
	IV	2	3	3	2	2	2	3	3	3	2	2	2	IV
	V	3	3	2	2	2	2	3	3	2	2	2	2	V
	VI	3	2	2	2	2	1	3	2	2	2	2	2	2

Table 54 Main boom +Tip boom

Unit: t

Outriggers completely extended 8 m, with 13t counterweight, side and rear operations															
Working radius (m)	Boom length 3.0m, angle 30°												Working radius (m)		
	45.9	45.9	45.9	45.9	45.9	45.9	★		50.5	50.5	50.5	50.5		50.5	★
3.0														3.0	
3.5														3.5	
4.0														4.0	
4.5														4.5	
5.0														5.0	
5.5														5.5	
6.0														6.0	
7.0														7.0	
8.0														8.0	
9.0														9.0	
10.0														10.0	
11.0														11.0	
12.0	9.5	11.0	13.0	14.0	16.0	16.0								12.0	
14.0	8.5	9.5	11.5	13.0	15.0	15.0		9.0	10.5	12.0	13.0	15.0		14.0	
16.0	7.5	8.5	10.0	12.0	14.0	13.7		8.0	9.5	11.0	12.0	13.5		16.0	
18.0	7.1	7.7	9.5	11.0	11.3	10.9		7.0	8.5	10.0	11.0	10.8		18.0	
20.0	6.4	6.9	8.4	9.7	9.1	8.7		6.0	7.5	9.0	9.2	8.7		20.0	
22.0	5.7	6.1	7.6	8.0	7.4	7.0		5.5	6.5	8.0	7.5	7.0		22.0	
24.0	5.2	5.5	7.0	6.6	6.0	5.6		5.0	6.0	6.8	6.1	5.6		24.0	
26.0	4.8	5.0	5.8	5.4	4.9	4.5		4.5	5.5	5.7	5.0	4.5		26.0	
28.0	4.3	4.5	4.9	4.5	4.0	3.6		4.2	5.0	4.7	4.1	3.6		28.0	
30.0	4.0	4.1	4.1	3.7	3.2	2.8		3.8	4.4	3.9	3.3	2.8		30.0	
32.0	3.6	3.7	3.4	3.0	2.5	2.1		3.5	3.7	3.2	2.6	2.1		32.0	
34.0	3.4	3.3	2.8	2.4	1.9	1.5		3.2	3.1	2.6	2.0	1.5		34.0	
36.0	3.1	2.8	2.3	1.9	1.4	1.0		2.9	2.5	2.0	1.4			36.0	
38.0	2.7	2.3	1.8	1.4				2.7	2.1	1.6	1.0			38.0	
40.0	2.3	1.9	1.4	1.0				2.2	1.7	1.2				40.0	
42.0								1.8	1.3					42.0	
44.0								1.5	1.0					44.0	
46.0														46.0	
48.0														48.0	
50.0														50.0	
Reeving	3												Reeving		
Hook	18t												Hook		
Telescoping mode	I	1	1	1	1	2	3		1	1	1	2	3	I	Telescoping mode
	II	1	1	2	3	3	2		1	2	3	3	3	II	
	III	2	3	3	3	2	2		3	3	3	3	2	III	
	IV	3	3	3	2	2	2		3	3	3	2	2	IV	
	V	3	3	2	2	2	2		3	3	2	2	2	V	
	VI	3	2	2	2	2	2		3	2	2	2	2	VI	

Table 55 Main boom +Tip boom

Unit: t

Outriggers completely extended 8 m, with 13t counterweight, side and rear operations														
Working radius (m)	Boom length 3.0m, angle 30°												Working radius (m)	
	55.1	55.1	55.1	55.1 ★	59.7	59.7	59.7 ★		64.3	64.3 ★	68.9 ★	75.0 ★		
4.0													4.0	
4.5													4.5	
5.0													5.0	
5.5													5.5	
6.0													6.0	
7.0													7.0	
8.0													8.0	
9.0													9.0	
10.0													10.0	
11.0													11.0	
12.0													12.0	
14.0													14.0	
16.0	8.5	10.0	11.0	12.0	8.5	10.0	11.0						16.0	
18.0	7.5	9.0	10.0	11.0	8.0	9.0	10.0		8.0	9.0			18.0	
20.0	7.0	8.0	9.0	8.7	7.2	8.5	9.0		7.5	8.0	7.0		20.0	
22.0	6.3	7.4	7.6	7.1	6.5	7.5	7.3		7.0	7.5	6.5	5.5	22.0	
24.0	5.7	6.7	6.4	5.7	6.0	6.6	5.9		6.5	6.3	6.0	5.5	24.0	
26.0	5.2	6.0	5.2	4.5	5.5	5.6	4.9		5.9	5.1	5.4	5.0	26.0	
28.0	4.7	5.0	4.3	3.5	5.0	4.6	3.9		5.0	4.2	4.6	4.7	28.0	
30.0	4.3	4.2	3.5	2.8	4.6	3.8	3.1		4.2	3.4	3.7	3.8	30.0	
32.0	4.0	3.5	2.8	2.1	3.9	3.1	2.4		3.4	2.7	3.1	3.2	32.0	
34.0	3.4	2.9	2.2	1.5	3.2	2.5	1.8		2.8	2.1	2.5	2.6	34.0	
36.0	2.9	2.4	1.7	1.0	2.7	2.0	1.3		2.3	1.6	2.0	2.1	36.0	
38.0	2.4	1.9	1.2		2.2	1.5			1.8	1.1	1.5	1.6	38.0	
40.0	2.0	1.5			1.8	1.1			1.4		1.0	1.1	40.0	
42.0	1.6	1.1			1.4				1.0				42.0	
44.0	1.3				1.1								44.0	
46.0	1.0												46.0	
48.0													48.0	
50.0													50.0	
52.0													52.0	
54.0													54.0	
56.0													56.0	
58.0													58.0	
60.0													60.0	
Reeving	3							2					Reeving	
Hook	18t												Hook	
Telescoping mode	I	1	1	2	3	1	2	3		2	3	3	4	I
	II	2	3	3	3	3	3	3		3	3	3	4	II
	III	3	3	3	3	3	3	3		3	3	3	4	III
	IV	3	3	3	2	3	3	3		3	3	3	4	IV
	V	3	3	2	2	3	3	2		3	3	3	4	V
	VI	3	2	2	2	3	2	2		3	2	3	4	VI

Table 56 Main boom +Tip boom

Unit: t

Outriggers completely extended 8 m, with 2t counterweight, side and rear operations														
Working radius (m)	Boom length 3.0m, angle 30°												Working radius (m)	
	13.7★	18.3	18.3	18.3	18.3	18.3	22.9	22.9	22.9	22.9	22.9	22.9★		
3.0	18.0													3.0
3.5	16.0													3.5
4.0	16.0	16.0	16.0	16.0	16.0	16.0								4.0
4.5	16.0	16.0	16.0	16.0	16.0	16.0								4.5
5.0	16.0	16.0	16.0	16.0	16.0	16.0	16.0	16.0	16.0	16.0	16.0	16.0	16.0	5.0
6.0	16.0	16.0	16.0	16.0	16.0	16.0	16.0	16.0	16.0	16.0	16.0	16.0	16.0	6.0
7.0	16.0	16.0	16.0	16.0	16.0	16.0	16.0	16.0	16.0	16.0	16.0	16.0	16.0	7.0
8.0	15.5	16.0	16.0	16.0	16.0	16.0	16.0	16.0	16.0	16.0	16.0	16.0	16.0	8.0
9.0	15.0	16.0	16.0	16.0	16.0	16.0	16.0	16.0	16.0	16.0	16.0	16.0	16.0	9.0
10.0	14.5	15.5	15.5	15.5	15.5	15.5	16.0	16.0	16.0	16.0	16.0	16.0	16.0	10.0
11.0	14.0	15.0	15.0	15.0	15.0	15.0	16.0	16.0	15.5	15.5	15.5	15.5	15.5	11.0
12.0	13.5	14.5	14.5	14.5	14.5	14.5	15.5	15.0	15.0	15.0	15.0	15.0	13.8	12.0
14.0		12.0	11.5	11.3	10.8	10.3	13.0	12.5	12.0	11.5	10.5	9.3	9.3	14.0
16.0		9.0	8.5	8.3	7.8	7.3	10.0	9.5	9.0	8.5	7.8	6.6	6.6	16.0
18.0							7.9	7.5	7.0	6.4	5.7	4.5	4.5	18.0
20.0							6.2	6.0	5.4	4.8	4.0	2.8	2.8	20.0
22.0														22.0
24.0														24.0
26.0														26.0
28.0														28.0
30.0														30.0
32.0														32.0
34.0														34.0
36.0														36.0
38.0														38.0
40.0														40.0
42.0														42.0
44.0														44.0
46.0														46.0
48.0														48.0
50.0														50.0
Reeving	3												Reeving	
Hook	18t												Hook	
Telescoping mode	I	1	1	1	1	1	1	1	1	1	1	1	2	I
	II	1	1	1	1	1	2	1	1	1	1	2	2	II
	III	1	1	1	1	2	1	1	1	1	2	2	1	III
	IV	1	1	1	2	1	1	1	1	2	2	1	1	IV
	V	1	1	2	1	1	1	1	2	2	1	1	1	V
	VI	1	2	1	1	1	1	3	2	1	1	1	1	VI

Table 57 Main boom +Tip boom

Unit: t

Outriggers completely extended 8 m, with 2t counterweight, side and rear operations														
Working radius (m)	Boom length 3.0m, angle 30°												Working radius (m)	
	27.5	27.5	27.5	27.5	27.5	27.5 ★	32.1	32.1	32.1	32.1	32.1	32.1 ★		
3.0														3.0
3.5														3.5
4.0														4.0
4.5														4.5
5.0														5.0
6.0														6.0
7.0	14.0	14.0	16.0	16.0	16.0	16.0								7.0
8.0	13.0	13.0	16.0	16.0	16.0	16.0	11.0	13.0	15.0	16.0	16.0	16.0	16.0	8.0
9.0	12.0	12.0	16.0	16.0	16.0	16.0	10.0	12.0	13.0	16.0	16.0	16.0	16.0	9.0
10.0	11.0	11.0	16.0	16.0	16.0	16.0	9.5	11.5	12.5	16.0	16.0	16.0	16.0	10.0
11.0	10.0	10.0	16.0	16.0	15.5	15.5	9.0	11.0	12.0	16.0	15.5	15.5	15.5	11.0
12.0	9.0	9.0	15.5	15.5	15.0	14.0	8.0	10.0	11.0	15.5	15.0	14.5	14.5	12.0
14.0	8.0	8.0	13.0	12.0	11.0	10.0	7.5	9.0	10.0	13.0	12.0	10.5	10.5	14.0
16.0	7.0	7.0	10.0	9.2	8.2	7.0	6.5	8.0	9.0	10.0	9.0	7.5	7.5	16.0
18.0	6.5	6.5	7.9	7.1	6.1	4.9	6.0	7.5	8.0	7.8	6.8	5.5	5.5	18.0
20.0	6.0	6.0	6.2	5.4	4.6	3.4	5.5	6.7	6.5	6.2	5.2	3.9	3.9	20.0
22.0	5.4	5.2	5.0	4.2	3.4	2.2	5.0	5.4	5.2	4.9	4.0	2.7	2.7	22.0
24.0	4.4	4.2	4.0	3.2	2.4	1.2	4.5	4.3	4.1	3.8	2.9	1.6	1.6	24.0
26.0							3.9	3.5	3.3	3.0	2.1			26.0
28.0							3.2	2.8	2.6	2.3	1.4			28.0
30.0														30.0
32.0														32.0
34.0														34.0
36.0														36.0
38.0														38.0
40.0														40.0
42.0														42.0
44.0														44.0
46.0														46.0
48.0														48.0
50.0														50.0
Reeving	3												Reeving	
Hook	18t												Hook	
Telescoping mode	I	1	1	1	1	1	2	1	1	1	1	1	2	I
	II	1	1	1	1	2	2	1	1	1	1	2	2	II
	III	1	1	1	2	2	2	1	1	1	2	2	2	III
	IV	1	1	2	2	2	1	1	2	3	2	2	2	IV
	V	2	3	2	2	1	1	3	3	2	2	2	1	V
	VI	3	2	2	1	1	1	3	2	2	2	1	1	VI

Table 58 Main boom +Tip boom

Unit: t

Outriggers completely extended 8 m, with 2t counterweight, side and rear operations														
Working radius (m)	Boom length 3.0m, angle 30°												Working radius (m)	
	36.7	36.7	36.7	36.7	36.7	36.7★	41.3	41.3	41.3	41.3	41.3	41.3★		
3.0														3.0
3.5														3.5
4.0														4.0
4.5														4.5
5.0														5.0
6.0														6.0
7.0														7.0
8.0														8.0
9.0	11.0	13.0	15.0	16.0	16.0	16.0								9.0
10.0	10.5	12.0	14.0	15.0	16.0	16.0	10.5	12.5	14.0	16.0	16.0	16.0	16.0	10.0
11.0	9.5	11.0	13.0	14.0	16.0	15.5	10.0	12.0	13.0	16.0	16.0	15.5	15.0	11.0
12.0	9.0	10.0	12.0	13.0	15.5	15.0	9.5	11.0	12.0	15.0	15.5	15.0	15.0	12.0
14.0	8.0	9.0	11.0	11.0	12.5	11.3	8.3	9.5	10.5	12.5	12.3	11.9	11.9	14.0
16.0	7.0	8.0	10.0	9.8	9.5	8.3	7.3	8.5	9.0	9.6	9.4	9.0	9.0	16.0
18.0	6.5	7.0	8.0	7.8	7.5	6.2	6.5	8.0	8.0	7.5	7.3	6.8	6.8	18.0
20.0	6.0	6.5	6.3	6.1	5.8	4.5	5.8	6.7	6.3	5.8	5.6	5.1	5.1	20.0
22.0	5.4	5.5	5.1	4.9	4.6	3.3	5.3	5.4	5.0	4.5	4.3	3.8	3.8	22.0
24.0	4.8	4.5	4.1	3.9	3.6	2.3	4.8	4.4	4.0	3.5	3.3	2.8	2.8	24.0
26.0	3.9	3.6	3.2	3.0	2.7	1.5	4.0	3.5	3.2	2.7	2.5	2.0	2.0	26.0
28.0	3.2	2.9	2.5	2.3	2.0		3.3	2.8	2.5	2.0	1.8	1.3	1.3	28.0
30.0	2.6	2.3	1.9	1.7	1.4		2.7	2.2	1.9	1.4	1.2			30.0
32.0	2.1	1.8	1.4	1.2			2.2	1.7	1.4					32.0
34.0							1.7	1.2						34.0
36.0							1.3							36.0
38.0														38.0
40.0														40.0
42.0														42.0
44.0														44.0
46.0														46.0
48.0														48.0
50.0														50.0
Reeving	3												Reeving	
Hook	18t												Hook	
Telescoping mode	I	1	1	1	1	1	2	1	1	1	1	1	2	I
	II	1	1	1	1	2	2	1	1	1	2	3	2	II
	III	1	1	2	3	2	2	1	2	3	3	2	2	III
	IV	2	3	3	2	2	2	3	3	3	2	2	2	IV
	V	3	3	2	2	2	2	3	3	2	2	2	2	V
	VI	3	2	2	2	2	1	3	2	2	2	2	2	VI

Table 59 Main boom +Tip boom

Unit: t

Outriggers completely extended 8 m, with 2t counterweight, side and rear operations															
Working radius (m)	Boom length 3.0m, angle 30°												Working radius (m)		
	45.9	45.9	45.9	45.9	45.9	45.9	★		50.5	50.5	50.5	50.5		50.5	★
3.0															3.0
3.5															3.5
4.0															4.0
4.5															4.5
5.0															5.0
5.5															5.5
6.0															6.0
7.0															7.0
8.0															8.0
9.0															9.0
10.0															10.0
11.0															11.0
12.0	9.5	11.0	13.0	14.0	16.0	15.5									12.0
14.0	8.5	9.5	11.5	12.5	11.9	11.5		9.0	10.5	12.0	12.0	11.2			14.0
16.0	7.5	8.5	10.0	9.5	8.9	8.5		8.0	9.5	9.5	9.0	8.4			16.0
18.0	7.1	7.7	7.8	7.3	6.7	6.3		7.0	8.1	7.6	6.8	6.2			18.0
20.0	6.4	6.7	6.1	5.7	5.1	4.7		6.0	6.4	5.9	5.2	4.6			20.0
22.0	5.7	5.4	4.8	4.4	3.8	3.4		5.5	5.1	4.6	3.9	3.3			22.0
24.0	4.8	4.3	3.8	3.4	2.8	2.4		4.7	4.1	3.6	2.9	2.3			24.0
26.0	3.9	3.4	2.9	2.5	2.0	1.6		3.8	3.2	2.7	2.0	1.5			26.0
28.0	3.2	2.7	2.2	1.8	1.3			3.1	2.5	2.0	1.3				28.0
30.0	2.6	2.1	1.6	1.2				2.5	1.9	1.4					30.0
32.0	2.1	1.6	1.1					2.0	1.4						32.0
34.0	1.6	1.1						1.5							34.0
36.0	1.2							1.1							36.0
38.0															38.0
40.0															40.0
42.0															42.0
44.0															44.0
46.0															46.0
48.0															48.0
50.0															50.0
Reeving	3												Reeving		
Hook	18t												Hook		
Telescoping mode	I	1	1	1	1	2	3		1	1	1	2	3	I	Telescoping mode
	II	1	1	2	3	3	2		1	2	3	3	3	II	
	III	2	3	3	3	2	2		3	3	3	3	2	III	
	IV	3	3	3	2	2	2		3	3	3	2	2	IV	
	V	3	3	2	2	2	2		3	3	2	2	2	V	
	VI	3	2	2	2	2	2		3	2	2	2	2	VI	

Table 60 Main boom +Tip boom

Unit: t

Outriggers completely extended 8 m, with 2t counterweight, side and rear operations														
Working radius (m)	Boom length 3.0m, angle 30°												Working radius (m)	
	55.1	55.1	55.1	55.1★	59.7	59.7	59.7★		64.3	64.3★	68.9★	75.0★		
4.0													4.0	
4.5													4.5	
5.0													5.0	
5.5													5.5	
6.0													6.0	
7.0													7.0	
8.0													8.0	
9.0													9.0	
10.0													10.0	
11.0													11.0	
12.0													12.0	
14.0													14.0	
16.0	8.5	10.0	9.0	8.5	8.5	9.5	8.5						16.0	
18.0	7.5	8.0	7.0	6.4	8.0	7.4	6.7		7.5	7.0			18.0	
20.0	6.8	6.3	5.4	4.8	6.6	5.8	5.1		6.1	5.5	5.5		20.0	
22.0	5.5	5.0	4.1	3.5	5.3	4.5	3.8		4.7	4.1	4.6	4.5	22.0	
24.0	4.4	3.9	3.1	2.5	4.3	3.5	2.7		3.8	3.1	3.5	3.6	24.0	
26.0	3.6	3.1	2.3	1.7	3.4	2.6	1.8		3.0	2.3	2.6	2.7	26.0	
28.0	2.8	2.3	1.5		2.7	1.9	1.1		2.2	1.5	1.9	2.0	28.0	
30.0	2.2	1.7			2.1	1.3			1.6		1.2	1.3	30.0	
32.0	1.7	1.2			1.5				1.1				32.0	
34.0	1.3				1.1								34.0	
36.0													36.0	
38.0													38.0	
40.0													40.0	
42.0													42.0	
44.0													44.0	
46.0													46.0	
48.0													48.0	
50.0													50.0	
52.0													52.0	
54.0													54.0	
56.0													56.0	
58.0													58.0	
60.0													60.0	
Reeving	3							2						Reeving
Hook	18t												Hook	
Telescoping mode	I	1	1	2	3	1	2	3		2	3	3	4	I
	II	2	3	3	3	3	3	3		3	3	3	4	II
	III	3	3	3	3	3	3	3		3	3	3	4	III
	IV	3	3	3	2	3	3	3		3	3	3	4	IV
	V	3	3	2	2	3	3	2		3	3	3	4	V
	VI	3	2	2	2	3	2	2		3	2	3	4	VI



Table 61 Main boom

Unit: t

Outriggers intermediately extended 5.3 m, with 40t counterweight, side and rear operations														
Working radius (m)	Boom length (m)												Working radius (m)	
	13.7★	18.3	18.3	18.3	18.3	18.3	22.9	22.9	22.9	22.9	22.9	22.9★		
3.0	95.0	40.5	65.0	85.0	85.0	85.0							3.0	
3.5	90.0	38.5	60.0	82.0	82.0	82.0	28.0	42.0	60.0	73.0	76.0	76.0	3.5	
4.0	85.0	36.0	56.0	77.0	79.0	79.0	26.0	39.0	56.0	68.0	73.0	73.0	4.0	
4.5	80.0	34.5	52.0	72.0	77.0	77.0	24.5	37.0	52.0	63.0	70.0	70.0	4.5	
5.0	74.0	33.0	49.0	67.0	71.0	71.0	23.0	34.5	49.0	60.0	68.0	68.0	5.0	
6.0	60.0	31.0	43.0	58.0	63.0	63.0	21.0	31.0	43.0	56.0	63.0	63.0	6.0	
7.0	50.0	27.5	38.0	52.0	54.0	54.0	19.0	28.0	39.0	47.5	54.0	54.0	7.0	
8.0	40.0	25.5	35.0	45.0	45.0	45.0	17.0	25.0	35.0	43.0	45.0	44.0	8.0	
9.0	35.0	23.5	32.0	35.0	35.0	35.0	16.0	23.0	32.0	39.0	37.0	36.0	9.0	
10.0	30.0	22.0	29.0	30.0	30.0	30.0	15.0	21.0	29.5	32.0	31.0	30.0	10.0	
11.0		21.0	24.5	25.0	24.5	24.0	13.8	19.5	27.5	27.0	26.0	25.0	11.0	
12.0		20.0	19.5	20.0	19.5	19.0	13.0	18.5	25.0	23.5	22.5	21.5	12.0	
14.0		18.0	17.5	18.0	17.5	17.0	11.5	16.0	19.0	18.5	17.5	16.5	14.0	
16.0							10.3	14.5	15.0	14.5	13.5	12.5	16.0	
18.0							9.3	13.0	12.5	12.0	11.0	10.0	18.0	
Reeving	12	12					12						Reeving	
Hook	60t Anchor Hook												Hook	
Telescoping mode	I	1	1	1	1	1	1	1	1	1	1	1	2	I
	II	1	1	1	1	1	2	1	1	1	1	2	2	II
	III	1	1	1	1	2	1	1	1	1	2	2	1	III
	IV	1	1	1	2	1	1	1	1	2	2	1	1	IV
	V	1	1	2	1	1	1	1	2	2	1	1	1	V
	VI	1	2	1	1	1	1	3	2	1	1	1	1	VI

Table 62 Main boom

Unit: t

Outriggers intermediately extended 5.3 m, with 40t counterweight, side and rear operations															
Working radius (m)	Boom length (m)												Working radius (m)		
	27.5	27.5	27.5	27.5	27.5	27.5★	32.1	32.1	32.1	32.1	32.1	32.1★			
3.0														3.0	
3.5														3.5	
4.0														4.0	
4.5	22.5	22.5	40.5	56.0	67.0	67.0								4.5	
5.0	21.5	21.5	38.5	52.0	64.0	64.0								5.0	
6.0	19.0	19.0	34.5	46.5	58.0	58.0	16.5	21.0	23.5	37.5	52.0	53.0		6.0	
7.0	17.4	17.4	31.5	42.0	52.0	52.0	15.0	19.0	21.0	34.0	48.0	50.0		7.0	
8.0	15.8	15.8	28.8	38.0	45.0	45.0	13.7	17.5	19.0	31.5	43.5	44.0		8.0	
9.0	14.5	14.5	26.5	34.5	36.0	36.0	12.6	16.2	17.6	29.5	39.0	37.5		9.0	
10.0	13.4	13.4	24.5	31.8	30.0	30.0	11.6	15.0	16.2	27.5	33.0	31.5		10.0	
11.0	12.4	12.4	23.0	29.4	27.0	26.0	10.7	14.0	15.0	25.5	28.0	27.0		11.0	
12.0	11.5	11.5	21.5	24.5	23.5	22.5	10.0	13.0	14.0	23.5	24.0	23.0		12.0	
14.0	10.3	10.1	19.0	19.0	18.0	17.0	8.8	11.6	12.2	20.0	19.0	18.0		14.0	
16.0	9.2	9.0	16.0	15.5	14.5	13.5	7.8	10.3	10.8	15.5	15.0	14.0		16.0	
18.0	8.3	8.1	13.5	12.5	11.5	10.5	7.0	9.4	9.6	13.0	12.5	11.5		18.0	
20.0	7.5	7.4	11.5	10.5	9.5	8.5	6.3	8.5	8.7	11.0	10.0	9.0		20.0	
22.0	6.8	6.7	10.0	9.0	8.0	7.0	5.7	7.8	7.9	9.5	8.5	7.5		22.0	
24.0							5.2	7.1	7.2	8.0	7.0	6.0		24.0	
26.0							4.8	6.5	6.6	7.0	6.0	5.0		26.0	
Reeving	11						9						Reeving		
Hook	60t Anchor Hook												Hook		
Telescoping mode	I	1	1	1	1	1	2	1	1	1	1	1	2	I	Telescoping mode
	II	1	1	1	1	2	2	1	1	1	1	2	2	II	
	III	1	1	1	2	2	2	1	1	1	2	2	2	III	
	IV	1	1	2	2	2	1	1	2	3	2	2	2	IV	
	V	2	3	2	2	1	1	3	3	2	2	2	1	V	
	VI	3	2	2	1	1	1	3	2	2	2	1	1	VI	

Table 63 Main boom

Unit: t

Outriggers intermediately extended 5.3 m, with 40t counterweight, side and rear operations														
Working radius (m)	Boom length (m)												Working radius (m)	
	36.7	36.7	36.7	36.7	36.7	36.7★	41.3	41.3	41.3	41.3	41.3	41.3★		
3.0														3.0
3.5														3.5
4.0														4.0
4.5														4.5
5.0														5.0
5.5														5.5
6.0														6.0
7.0	16.0	19.0	23.0	23.5	37.5	48.0								7.0
8.0	15.0	17.1	21.0	21.5	35.0	45.0	15.0	18.0	19.5	23.5	30.0	37.0		8.0
9.0	13.8	15.6	19.5	19.5	32.5	38.0	14.0	16.8	18.0	22.0	27.8	34.8		9.0
10.0	12.8	14.4	18.0	18.0	30.5	32.0	12.8	15.4	16.5	20.3	25.7	32.0		10.0
11.0	11.9	13.3	16.6	16.6	28.0	28.0	11.8	14.3	15.4	18.9	23.8	28.0		11.0
12.0	11.2	12.3	15.5	15.5	25.0	24.0	11.0	13.3	14.2	17.6	22.0	24.0		12.0
14.0	9.8	10.7	13.6	13.5	19.5	18.5	9.6	11.6	12.3	15.4	19.0	19.0		14.0
16.0	8.8	9.5	12.0	11.8	16.0	15.0	8.4	10.3	10.8	13.7	16.0	15.5		16.0
18.0	7.9	8.4	10.7	10.5	13.0	12.0	7.5	9.2	9.6	12.3	13.0	12.5		18.0
20.0	7.2	7.6	9.6	9.5	11.0	10.0	6.7	8.3	8.6	11.0	11.0	10.5		20.0
22.0	6.5	6.8	8.7	8.6	9.5	8.2	6.1	7.5	7.7	9.7	9.5	9.1		22.0
24.0	6.0	6.2	7.9	7.8	8.2	6.9	5.5	6.8	7.0	8.3	8.1	7.7		24.0
26.0	5.5	5.6	7.2	7.1	7.0	5.7	5.0	6.2	6.3	7.1	6.9	6.5		26.0
28.0	5.1	5.2	6.5	6.5	6.1	4.8	4.6	5.7	5.8	6.1	5.9	5.5		28.0
30.0	4.7	4.7	5.7	5.5	5.3	4.0	4.2	5.2	5.3	5.2	5.0	4.6		30.0
32.0							3.9	4.8	4.9	4.5	4.3	3.9		32.0
34.0							3.6	4.4	4.3	3.8	3.6	3.2		34.0
Reeving	8						6						Reeving	
Hook	60t Anchor Hook												Hook	
Telescoping mode	I	1	1	1	1	1	2	1	1	1	1	1	2	I
	II	1	1	1	1	2	2	1	1	1	2	3	2	II
	III	1	1	2	3	2	2	1	2	3	3	2	2	III
	IV	2	3	3	2	2	2	3	3	3	2	2	2	IV
	V	3	3	2	2	2	2	3	3	2	2	2	2	V
	VI	3	2	2	2	2	1	3	2	2	2	2	2	VI

Table 64 Main boom

Unit: t

Outriggers intermediately extended 5.3 m, with 40t counterweight, side and rear operations															
Working radius (m)	Boom length (m)												Working radius (m)		
	45.9	45.9	45.9	45.9	45.9	45.9	★		50.5	50.5	50.5	50.5		50.5	★
3.0															3.0
3.5															3.5
4.0															4.0
4.5															4.5
5.0															5.0
5.5															5.5
6.0															6.0
7.0															7.0
8.0															8.0
9.0	14.5	16.0	19.5	23.0	27.0	27.5									9.0
10.0	13.5	15.0	18.0	21.5	25.5	26.0									10.0
11.0	12.6	13.8	16.8	20.0	24.0	24.5		12.5	14.5	17.0	20.0	21.5			11.0
12.0	11.8	12.8	15.6	18.7	22.5	23.0		11.5	13.5	16.0	19.0	20.5			12.0
14.0	10.3	11.0	13.6	16.5	19.0	19.0		10.2	12.0	14.0	17.0	18.0			14.0
16.0	9.2	9.7	12.0	14.5	15.0	14.0		9.0	10.8	12.5	15.0	15.0			16.0
18.0	8.2	8.6	10.7	13.0	12.5	12.0		8.0	9.6	11.3	13.0	12.5			18.0
20.0	7.4	7.7	9.6	11.0	10.5	10.0		7.2	8.6	10.2	10.5	10.0			20.0
22.0	6.7	6.9	8.7	9.5	9.0	8.5		6.4	7.7	9.2	9.0	8.5			22.0
24.0	6.1	6.2	7.8	8.0	7.5	7.0		5.8	7.0	8.3	7.7	7.2			24.0
26.0	5.5	5.6	7.1	7.0	6.3	6.1		5.3	6.4	7.1	6.5	6.0			26.0
28.0	5.1	5.1	6.3	6.0	5.3	5.1		4.8	5.8	6.1	5.5	5.0			28.0
30.0	4.7	4.7	5.5	5.2	4.5	4.3		4.4	5.3	5.3	4.7	4.2			30.0
32.0	4.3	4.3	4.5	4.2	3.5	3.3		4.0	4.9	4.5	3.9	3.4			32.0
34.0	4.0	3.9	4.0	3.7	3.0	2.8		3.7	4.5	3.9	3.3	2.8			34.0
36.0	3.7	3.6	3.5	3.2	2.5	2.3		3.4	3.8	3.3	2.7	2.2			36.0
38.0	3.5	3.3	3.0	2.7	2.0	1.8		3.1	3.3	2.8	2.2	1.7			38.0
40.0								2.9	2.8	2.3	1.7	1.2			40.0
42.0								2.7	2.5	2.0	1.4	1.0			42.0
Reeving	5							4						Reeving	
Hook	60t Anchor Hook												Hook		
Telescoping mode	I	1	1	1	1	2	3		1	1	1	2	3	I	Telescoping mode
	II	1	1	2	3	3	2		1	2	3	3	3	II	
	III	2	3	3	3	2	2		3	3	3	3	2	III	
	IV	3	3	3	2	2	2		3	3	3	2	2	IV	
	V	3	3	2	2	2	2		3	3	2	2	2	V	
	VI	3	2	2	2	2	2		3	2	2	2	2	VI	

Table 65 Main boom

Unit: t

Outriggers intermediately extended 5.3 m, with 40t counterweight, side and rear operations														
Working radius (m)	Boom length (m)												Working radius (m)	
	55.1	55.1	55.1	55.1★	59.7	59.7	59.7★		64.3	64.3★	68.9★	75.0★		
5.0													5.0	
5.5													5.5	
6.0													6.0	
7.0													7.0	
8.0													8.0	
9.0													9.0	
10.0													10.0	
11.0													11.0	
12.0	12.5	14.0	16.5	18.0									12.0	
14.0	11.0	12.6	14.8	16.2	11.0	13.0	14.0						14.0	
16.0	9.8	11.2	13.2	14.7	10.0	11.5	12.6		10.0	11.0			16.0	
18.0	8.8	10.1	11.8	12.5	9.2	10.5	11.6		9.5	10.0	8.8		18.0	
20.0	8.0	9.1	10.7	10.5	8.4	9.5	10.6		8.7	9.2	8.2	6.8	20.0	
22.0	7.2	8.3	9.5	8.5	7.7	8.7	9.0		8.0	8.5	7.7	6.7	22.0	
24.0	6.5	7.6	8.0	7.4	7.0	8.0	7.7		7.4	7.9	7.2	6.6	24.0	
26.0	5.9	6.9	6.8	6.2	6.4	7.2	6.5		6.8	6.9	6.7	6.2	26.0	
28.0	5.4	6.3	5.8	5.2	5.9	6.2	5.5		6.3	5.8	6.3	5.8	28.0	
30.0	5.0	5.8	4.8	4.2	5.4	5.3	4.6		5.5	5.0	5.5	5.4	30.0	
32.0	4.6	5.0	4.1	3.5	5.0	4.5	3.8		4.9	4.2	4.7	4.8	32.0	
34.0	4.2	4.2	3.5	2.9	4.6	3.9	3.2		4.2	3.5	4.0	4.1	34.0	
36.0	3.9	3.7	3.0	2.4	4.1	3.3	2.6		3.6	2.9	3.4	3.5	36.0	
38.0	3.6	3.1	2.4	1.8	3.6	2.8	2.1		3.1	2.4	2.9	3.0	38.0	
40.0	3.3	2.8	2.1	1.5	3.1	2.3	1.6		2.7	2.0	2.4	2.5	40.0	
42.0	2.8	2.3	1.6	1.0	2.7	1.9	1.2		2.3	1.6	2.0	2.1	42.0	
44.0	2.4	1.9	1.2		2.3	1.5			1.9	1.2	1.6	1.7	44.0	
46.0									1.5		1.2	1.3	46.0	
48.0											0.9	1.0	48.0	
50.0													50.0	
52.0													52.0	
54.0													54.0	
56.0													56.0	
58.0													58.0	
60.0													60.0	
62.0												1.0	62.0	
Reeving	3								3					Reeving
Hook	60t Anchor Hook												Hook	
Telescoping mode	I	1	1	2	3	1	2	3		2	3	3	4	I
	II	2	3	3	3	3	3	3		3	3	3	4	II
	III	3	3	3	3	3	3	3		3	3	3	4	III
	IV	3	3	3	2	3	3	3		3	3	3	4	IV
	V	3	3	2	2	3	3	2		3	3	3	4	V
	VI	3	2	2	2	3	2	2		3	2	3	4	VI

Table 66 Main boom

Unit: t

Outriggers intermediately extended 5.3 m, with 27t counterweight, side and rear operations														
Working radius (m)	Boom length (m)												Working radius (m)	
	13.7★	18.3	18.3	18.3	18.3	18.3	22.9	22.9	22.9	22.9	22.9	22.9★		
3.0	95.0	40.5	65.0	85.0	85.0	85.0							3.0	
3.5	90.0	38.5	60.0	82.0	82.0	82.0	28.0	42.0	60.0	73.0	76.0	76.0	3.5	
4.0	85.0	36.0	56.0	77.0	79.0	79.0	26.0	39.0	56.0	68.0	73.0	73.0	4.0	
4.5	77.0	34.5	52.0	72.0	76.5	76.5	24.5	37.0	52.0	63.0	70.0	70.0	4.5	
5.0	68.0	33.0	49.0	67.0	68.0	68.0	23.0	34.5	49.0	60.0	68.0	67.0	5.0	
6.0	55.0	31.0	43.0	58.0	56.0	56.0	21.0	31.0	43.0	56.0	56.0	56.0	6.0	
7.0	42.0	27.5	38.0	46.5	46.0	45.5	19.0	28.0	39.0	47.5	46.0	45.0	7.0	
8.0	32.0	25.5	34.0	37.0	36.5	36.0	17.0	25.0	35.0	37.0	36.0	35.0	8.0	
9.0	27.0	23.5	30.5	30.0	29.5	29.0	16.0	23.0	31.0	30.0	29.0	28.0	9.0	
10.0	22.0	22.0	25.5	25.0	24.5	24.0	15.0	21.0	26.0	25.0	24.0	23.0	10.0	
11.0		20.0	21.5	21.0	20.5	20.0	13.8	19.5	22.0	21.0	20.0	19.0	11.0	
12.0		19.0	18.5	18.0	17.5	17.0	13.0	18.0	19.0	18.0	17.0	16.0	12.0	
14.0		14.5	14.0	13.5	13.0	12.5	11.5	15.5	15.0	14.0	13.0	12.0	14.0	
16.0							10.3	12.5	12.0	11.0	10.0	9.0	16.0	
18.0							9.3	10.0	9.5	8.5	7.5	6.5	18.0	
Reeving	12	12					12					Reeving		
Hook	60t Anchor Hook												Hook	
Telescoping mode	I	1	1	1	1	1	1	1	1	1	1	1	2	I
	II	1	1	1	1	1	2	1	1	1	1	2	2	II
	III	1	1	1	1	2	1	1	1	1	2	2	1	III
	IV	1	1	1	2	1	1	1	1	2	2	1	1	IV
	V	1	1	2	1	1	1	1	2	2	1	1	1	V
	VI	1	2	1	1	1	1	3	2	1	1	1	1	VI

Table 67 Main boom

Unit: t

Outriggers intermediately extended 5.3 m, with 27t counterweight, side and rear operations															
Working radius (m)	Boom length (m)												Working radius (m)		
	27.5	27.5	27.5	27.5	27.5	27.5 ★	32.1	32.1	32.1	32.1	32.1	32.1 ★			
3.0														3.0	
3.5														3.5	
4.0														4.0	
4.5	22.5	22.5	40.5	56.0	67.0	67.0								4.5	
5.0	21.5	21.5	38.5	52.0	64.0	64.0								5.0	
6.0	19.0	19.0	34.5	46.5	57.0	56.0	16.5	21.0	23.5	37.5	52.0	52.0		6.0	
7.0	17.4	17.4	31.5	42.0	46.5	45.0	15.0	19.0	21.0	34.0	45.5	44.5		7.0	
8.0	15.8	15.8	28.8	37.0	37.0	35.5	13.7	17.5	19.0	31.5	37.0	36.0		8.0	
9.0	14.5	14.5	26.5	31.0	30.0	28.5	12.6	16.2	17.6	29.5	30.5	29.5		9.0	
10.0	13.4	13.4	24.5	26.5	25.5	24.0	11.6	15.0	16.2	27.5	25.5	24.5		10.0	
11.0	12.4	12.4	22.0	22.5	21.5	20.0	10.7	14.0	15.0	23.0	22.0	21.0		11.0	
12.0	11.5	11.5	20.0	19.5	18.5	17.0	10.0	13.0	14.0	20.0	19.0	18.0		12.0	
14.0	10.3	10.1	15.5	15.0	14.0	12.5	8.8	11.6	12.2	15.5	14.5	13.5		14.0	
16.0	9.2	9.0	12.5	12.0	11.0	9.5	7.8	10.3	10.8	12.5	11.5	10.5		16.0	
18.0	8.3	8.1	10.0	9.5	8.5	7.0	7.0	9.4	9.6	10.0	9.0	8.0		18.0	
20.0	7.5	7.4	8.5	8.0	7.0	5.5	6.3	8.5	8.5	8.5	7.5	6.5		20.0	
22.0	6.8	6.7	7.0	6.5	5.5	4.0	5.7	7.5	7.5	7.0	6.0	5.0		22.0	
24.0							5.2	6.5	6.3	6.0	5.0	3.8		24.0	
26.0							4.8	5.5	5.3	5.0	4.0	2.8		26.0	
Reeving	11						9						Reeving		
Hook	60t Anchor Hook												Hook		
Telescoping mode	I	1	1	1	1	1	2	1	1	1	1	1	2	I	Telescoping mode
	II	1	1	1	1	2	2	1	1	1	1	2	2	II	
	III	1	1	1	2	2	2	1	1	1	2	2	2	III	
	IV	1	1	2	2	2	1	1	2	3	2	2	2	IV	
	V	2	3	2	2	1	1	3	3	2	2	2	1	V	
	VI	3	2	2	1	1	1	3	2	2	2	1	1	VI	

Table 68 Main boom

Unit: t

Outriggers intermediately extended 5.3 m, with 27t counterweight, side and rear operations														
Working radius (m)	Boom length (m)												Working radius (m)	
	36.7	36.7	36.7	36.7	36.7	36.7★	41.3	41.3	41.3	41.3	41.3	41.3★		
3.0														3.0
3.5														3.5
4.0														4.0
4.5														4.5
5.0														5.0
5.5														5.5
6.0														6.0
7.0	16.0	19.0	23.0	23.5	37.5	44.0								7.0
8.0	15.0	17.1	21.0	21.5	35.0	36.0	15.0	18.0	19.5	23.5	30.0	36.0		8.0
9.0	13.8	15.6	19.5	19.5	32.5	30.0	14.0	16.8	18.0	22.0	27.8	31.0		9.0
10.0	12.8	14.4	18.0	18.0	27.0	25.5	12.8	15.4	16.5	20.3	25.0	26.5		10.0
11.0	11.9	13.3	16.6	16.6	23.0	21.5	11.8	14.3	15.4	18.9	23.0	22.5		11.0
12.0	11.2	12.3	15.5	15.5	20.0	18.5	11.0	13.3	14.2	17.6	20.0	19.5		12.0
14.0	9.8	10.7	13.6	13.5	15.5	14.0	9.6	11.6	12.3	15.0	15.0	14.5		14.0
16.0	8.8	9.5	12.0	11.8	12.5	11.0	8.4	10.3	10.8	12.5	12.0	11.5		16.0
18.0	7.9	8.4	10.5	10.2	10.0	8.5	7.5	9.2	9.6	10.0	9.5	9.0		18.0
20.0	7.2	7.6	9.0	8.7	8.4	7.1	6.7	8.3	8.6	8.5	8.0	7.5		20.0
22.0	6.5	6.8	7.5	7.3	7.0	5.7	6.1	7.5	7.5	7.0	6.8	6.3		22.0
24.0	6.0	6.2	6.3	6.1	5.8	4.5	5.5	6.5	6.3	5.9	5.7	5.2		24.0
26.0	5.5	5.4	5.3	5.1	4.8	3.5	5.0	5.7	5.3	4.9	4.7	4.2		26.0
28.0	5.1	4.9	4.5	4.3	4.0	2.7	4.6	4.9	4.5	4.1	3.9	3.4		28.0
30.0	4.7	4.2	3.8	3.6	3.3	2.0	4.2	4.1	3.7	3.3	3.1	2.6		30.0
32.0							3.9	3.5	3.1	2.7	2.5	2.0		32.0
34.0							3.6	3.0	2.6	2.2	2.0	1.5		34.0
Reeving	8						6						Reeving	
Hook	60t Anchor Hook												Hook	
Telescoping mode	I	1	1	1	1	1	2	1	1	1	1	1	2	I
	II	1	1	1	1	2	2	1	1	1	2	3	2	II
	III	1	1	2	3	2	2	1	2	3	3	2	2	III
	IV	2	3	3	2	2	2	3	3	3	2	2	2	IV
	V	3	3	2	2	2	2	3	3	2	2	2	2	V
	VI	3	2	2	2	2	1	3	2	2	2	2	2	VI



Table 69 Main boom

Unit: t

Outriggers intermediately extended 5.3 m, with 27t counterweight, side and rear operations															
Working radius (m)	Boom length (m)												Working radius (m)		
	45.9	45.9	45.9	45.9	45.9	45.9	★		50.5	50.5	50.5	50.5		50.5	★
3.0															3.0
3.5															3.5
4.0															4.0
4.5															4.5
5.0															5.0
5.5															5.5
6.0															6.0
7.0															7.0
8.0															8.0
9.0	14.5	16.0	19.5	23.0	27.0	27.0									9.0
10.0	13.5	15.0	18.0	21.5	25.0	25.5									10.0
11.0	12.6	13.8	16.8	20.0	22.0	22.0		12.5	14.5	17.0	20.0	21.5			11.0
12.0	11.8	12.8	15.6	18.0	19.0	18.5		11.5	13.5	16.0	19.0	19.0			12.0
14.0	10.3	11.0	13.6	15.5	15.0	14.5		10.2	12.0	14.0	15.0	14.5			14.0
16.0	9.2	9.7	12.0	12.0	11.5	11.0		9.0	10.8	12.5	12.0	11.5			16.0
18.0	8.2	8.6	10.5	10.0	9.5	9.2		8.0	9.6	10.0	9.5	9.0			18.0
20.0	7.4	7.7	8.7	8.3	7.7	7.4		7.2	8.6	8.5	8.0	7.4			20.0
22.0	6.7	6.9	7.3	6.9	6.3	6.0		6.4	7.5	7.0	6.5	5.9			22.0
24.0	6.1	6.2	6.1	5.7	5.1	4.8		5.8	6.5	6.0	5.3	4.8			24.0
26.0	5.5	5.5	5.1	4.7	4.1	3.8		5.3	5.5	5.0	4.3	3.8			26.0
28.0	5.1	4.8	4.3	3.9	3.3	3.0		4.8	4.7	4.2	3.5	3.0			28.0
30.0	4.5	4.0	3.5	3.1	2.5	2.2		4.4	4.0	3.5	2.8	2.3			30.0
32.0	3.9	3.5	3.0	2.6	2.0	1.7		3.8	3.3	2.8	2.1	1.6			32.0
34.0	3.4	3.0	2.5	2.1	1.5	1.2		3.4	2.8	2.3	1.6	1.1			34.0
36.0	2.9	2.5	2.0	1.6	1.0			2.9	2.3	1.8	1.1				36.0
38.0	2.5	2.1	1.6	1.2				2.5	1.9	1.4					38.0
40.0								2.1	1.5	1.0					40.0
42.0								1.7	1.1						42.0
Reeving	5							4						Reeving	
Hook	60t Anchor Hook												Hook		
Telescoping mode	I	1	1	1	1	2	3		1	1	1	2	3	I	Telescoping mode
	II	1	1	2	3	3	2		1	2	3	3	3	II	
	III	2	3	3	3	2	2		3	3	3	3	2	III	
	IV	3	3	3	2	2	2		3	3	3	2	2	IV	
	V	3	3	2	2	2	2		3	3	2	2	2	V	
	VI	3	2	2	2	2	2		3	2	2	2	2	VI	

Table 70 Main boom

Unit: t

Outriggers intermediately extended 5.3 m, with 27t counterweight, side and rear operations														
Working radius (m)	Boom length (m)												Working radius (m)	
	55.1	55.1	55.1	55.1★	59.7	59.7	59.7★		64.3	64.3★	68.9★	75.0★		
5.0													5.0	
5.5													5.5	
6.0													6.0	
7.0													7.0	
8.0													8.0	
9.0													9.0	
10.0													10.0	
11.0													11.0	
12.0	12.5	14.0	16.5	18.0									12.0	
14.0	11.0	12.6	14.8	15.0	11.0	13.0	14.0						14.0	
16.0	9.8	11.2	12.5	11.5	10.0	11.5	12.0		10.0	11.0			16.0	
18.0	8.8	10.1	10.0	9.4	9.2	10.5	9.5		9.5	10.0	8.8		18.0	
20.0	8.0	9.1	8.2	7.6	8.4	8.6	7.9		8.7	8.3	8.2	6.8	20.0	
22.0	7.2	7.4	6.7	6.1	7.5	7.1	6.4		7.5	6.8	7.4	6.7	22.0	
24.0	6.5	6.2	5.5	4.9	6.7	5.9	5.2		6.3	5.6	6.0	6.1	24.0	
26.0	5.9	5.2	4.5	3.9	5.7	4.9	4.2		5.3	4.6	5.0	5.1	26.0	
28.0	4.9	4.4	3.7	3.1	4.9	4.1	3.4		4.4	3.7	4.1	4.2	28.0	
30.0	4.2	3.7	3.0	2.4	4.2	3.4	2.7		3.7	3.0	3.4	3.5	30.0	
32.0	3.6	3.1	2.4	1.8	3.5	2.7	2.0		3.1	2.4	2.8	2.9	32.0	
34.0	3.1	2.6	1.9	1.3	3.0	2.2	1.5		2.5	1.8	2.2	2.3	34.0	
36.0	2.6	2.1	1.4		2.5	1.7	1.0		2.1	1.4	1.8	1.9	36.0	
38.0	2.2	1.7	1.0		2.1	1.3			1.6	1.0	1.4	1.5	38.0	
40.0	1.9	1.4			1.7				1.3			1.0	40.0	
42.0	1.5	1.0			1.3								42.0	
44.0	1.2				1.0								44.0	
46.0													46.0	
48.0													48.0	
50.0													50.0	
52.0													52.0	
54.0													54.0	
56.0													56.0	
58.0													58.0	
60.0													60.0	
62.0												1.0	62.0	
Reeving	3								3				Reeving	
Hook	60t Anchor Hook												Hook	
Telescoping mode	I	1	1	2	3	1	2	3		2	3	3	4	I
	II	2	3	3	3	3	3	3		3	3	3	4	II
	III	3	3	3	3	3	3	3		3	3	3	4	III
	IV	3	3	3	2	3	3	3		3	3	3	4	IV
	V	3	3	2	2	3	3	2		3	3	3	4	V
	VI	3	2	2	2	3	2	2		3	2	3	4	VI

Table 71 Main boom

Unit: t

Outriggers intermediately extended 5.3 m, with 23t counterweight, side and rear operations														
Working radius (m)	Boom length (m)												Working radius (m)	
	13.7★	18.3	18.3	18.3	18.3	18.3	22.9	22.9	22.9	22.9	22.9	22.9★		
3.0	95.0	40.5	65.0	85.0	85.0	85.0							3.0	
3.5	90.0	38.5	60.0	82.0	82.0	82.0	28.0	42.0	60.0	73.0	76.0	76.0	3.5	
4.0	85.0	36.0	56.0	77.0	79.0	79.0	26.0	39.0	56.0	68.0	73.0	73.0	4.0	
4.5	75.0	34.5	52.0	72.0	75.0	75.0	24.5	37.0	52.0	63.0	70.0	70.0	4.5	
5.0	66.0	33.0	49.0	67.0	66.0	66.0	23.0	34.5	49.0	60.0	66.0	66.0	5.0	
6.0	53.0	30.2	43.0	53.0	53.0	53.0	21.0	31.0	43.0	53.0	53.0	53.0	6.0	
7.0	40.0	27.5	38.0	43.0	42.0	41.5	19.0	28.0	39.0	43.0	42.0	40.0	7.0	
8.0	30.0	25.5	34.0	34.0	33.0	32.5	17.0	25.0	35.0	34.5	33.5	31.5	8.0	
9.0	26.0	23.5	28.0	27.5	27.0	26.5	16.0	23.0	29.0	28.0	27.0	25.0	9.0	
10.0	21.0	22.0	23.0	22.5	22.0	21.5	15.0	21.0	24.0	23.0	22.0	20.0	10.0	
11.0		20.0	19.5	19.0	18.5	18.0	13.8	19.5	20.5	19.5	18.5	17.0	11.0	
12.0		17.5	17.0	16.5	16.0	15.5	13.0	18.0	17.8	17.0	16.0	14.5	12.0	
14.0		13.0	12.5	12.0	11.5	11.0	11.5	14.0	13.5	12.7	11.7	10.4	14.0	
16.0							10.3	11.0	10.5	9.7	9.0	8.7	16.0	
18.0							9.3	9.1	8.6	7.8	7.1	5.8	18.0	
Reeving	12	12					12						Reeving	
Hook	60t Anchor Hook												Hook	
Telescoping mode	I	1	1	1	1	1	1	1	1	1	1	1	2	I
	II	1	1	1	1	1	2	1	1	1	1	2	2	II
	III	1	1	1	1	2	1	1	1	1	2	2	1	III
	IV	1	1	1	2	1	1	1	1	2	2	1	1	IV
	V	1	1	2	1	1	1	1	2	2	1	1	1	V
	VI	1	2	1	1	1	1	3	2	1	1	1	1	VI

Table 72 Main boom

Unit: t

Outriggers intermediately extended 5.3 m, with 23t counterweight, side and rear operations															
Working radius (m)	Boom length (m)												Working radius (m)		
	27.5	27.5	27.5	27.5	27.5	27.5★	32.1	32.1	32.1	32.1	32.1	32.1★			
3.0														3.0	
3.5														3.5	
4.0														4.0	
4.5	22.5	22.5	40.5	56.0	67.0	67.0								4.5	
5.0	21.5	21.5	38.5	52.0	64.0	64.0								5.0	
6.0	19.0	19.0	34.5	46.5	54.5	52.5	16.5	21.0	23.5	37.5	52.0	50.5		6.0	
7.0	17.4	17.4	31.5	42.0	43.0	41.0	15.0	19.0	21.0	34.0	42.0	40.5		7.0	
8.0	15.8	15.8	28.8	35.0	34.0	32.0	13.7	17.5	19.0	31.5	34.0	32.5		8.0	
9.0	14.5	14.5	26.5	29.0	28.0	26.0	12.6	16.2	17.6	29.5	28.5	27.0		9.0	
10.0	13.4	13.4	24.5	24.0	23.0	21.5	11.6	15.0	16.2	25.0	24.0	22.5		10.0	
11.0	12.4	12.4	21.5	20.5	19.5	18.0	10.7	14.0	15.0	21.5	20.5	19.0		11.0	
12.0	11.5	11.5	18.5	17.5	16.5	15.0	10.0	13.0	14.0	18.8	17.8	16.3		12.0	
14.0	10.3	10.1	14.5	13.5	12.5	11.0	8.8	11.6	12.2	14.5	13.5	12.1		14.0	
16.0	9.2	9.0	11.5	10.5	9.5	8.3	7.8	10.3	10.8	11.5	10.5	9.1		16.0	
18.0	8.3	8.1	9.5	8.5	7.5	6.3	7.0	9.4	9.6	9.5	8.5	7.1		18.0	
20.0	7.5	7.4	7.8	7.0	6.0	4.8	6.3	8.4	8.0	7.7	6.7	5.3		20.0	
22.0	6.8	6.7	6.5	5.7	4.7	3.5	5.7	7.0	6.8	6.5	5.5	4.1		22.0	
24.0							5.2	5.9	5.7	5.4	4.5	3.1		24.0	
26.0							4.8	5.0	4.8	4.5	3.6	2.2		26.0	
Reeving	11						9						Reeving		
Hook	60t Anchor Hook												Hook		
Telescoping mode	I	1	1	1	1	1	2	1	1	1	1	1	2	I	Telescoping mode
	II	1	1	1	1	2	2	1	1	1	1	2	2	II	
	III	1	1	1	2	2	2	1	1	1	2	2	2	III	
	IV	1	1	2	2	2	1	1	2	3	2	2	2	IV	
	V	2	3	2	2	1	1	3	3	2	2	2	1	V	
	VI	3	2	2	1	1	1	3	2	2	2	1	1	VI	

Table 73 Main boom

Unit: t

Outriggers intermediately extended 5.3 m, with 23t counterweight, side and rear operations														
Working radius (m)	Boom length (m)												Working radius (m)	
	36.7	36.7	36.7	36.7	36.7	36.7★	41.3	41.3	41.3	41.3	41.3	41.3★		
3.0														3.0
3.5														3.5
4.0														4.0
4.5														4.5
5.0														5.0
5.5														5.5
6.0														6.0
7.0	16.0	19.0	23.0	23.5	37.5	40.5								7.0
8.0	15.0	17.1	21.0	21.5	35.0	33.0	15.0	18.0	19.5	23.5	30.0	34.0		8.0
9.0	13.8	15.6	19.5	19.5	29.5	28.0	14.0	16.8	18.0	22.0	27.8	28.5		9.0
10.0	12.8	14.4	18.0	18.0	25.0	23.5	12.8	15.4	16.5	20.3	25.0	24.5		10.0
11.0	11.9	13.3	16.6	16.6	21.5	20.0	11.8	14.3	15.4	18.9	21.3	20.8		11.0
12.0	11.2	12.3	15.5	15.5	18.5	17.0	11.0	13.3	14.2	17.6	18.5	18.0		12.0
14.0	9.8	10.7	13.6	13.5	14.0	12.5	9.6	11.6	12.3	14.0	13.7	13.2		14.0
16.0	8.8	9.5	12.0	11.8	11.5	10.0	8.4	10.3	10.8	11.5	11.2	10.7		16.0
18.0	7.9	8.4	9.5	9.3	9.0	7.7	7.5	9.2	9.6	9.2	9.0	8.5		18.0
20.0	7.2	7.6	8.0	7.8	7.5	6.2	6.7	8.3	8.0	7.5	7.3	6.8		20.0
22.0	6.5	6.8	6.7	6.5	6.2	4.9	6.1	7.1	6.7	6.2	6.0	5.5		22.0
24.0	6.0	6.0	5.6	5.4	5.1	3.8	5.5	6.0	5.6	5.1	4.9	4.4		24.0
26.0	5.5	5.1	4.7	4.5	4.2	2.9	5.0	5.1	4.7	4.2	4.0	3.5		26.0
28.0	4.7	4.4	4.0	3.8	3.5	2.2	4.6	4.3	3.9	3.4	3.2	2.8		28.0
30.0	4.0	3.7	3.3	3.1	2.8	1.5	4.1	3.6	3.2	2.7	2.5	2.1		30.0
32.0							3.6	3.1	2.7	2.2	2.0	1.6		32.0
34.0							3.1	2.6	2.2	1.7	1.5	1.1		34.0
Reeving	8						6						Reeving	
Hook	60t Anchor Hook												Hook	
Telescoping mode	I	1	1	1	1	1	2	1	1	1	1	1	2	I
	II	1	1	1	1	2	2	1	1	1	2	3	2	II
	III	1	1	2	3	2	2	1	2	3	3	2	2	III
	IV	2	3	3	2	2	2	3	3	3	2	2	2	IV
	V	3	3	2	2	2	2	3	3	2	2	2	2	V
	VI	3	2	2	2	2	1	3	2	2	2	2	2	VI

Table 74 Main boom

Unit: t

Outriggers intermediately extended 5.3 m, with 23t counterweight, side and rear operations															
Working radius (m)	Boom length (m)												Working radius (m)		
	45.9	45.9	45.9	45.9	45.9	45.9	★		50.5	50.5	50.5	50.5		50.5	★
3.0															3.0
3.5															3.5
4.0															4.0
4.5															4.5
5.0															5.0
5.5															5.5
6.0															6.0
7.0															7.0
8.0															8.0
9.0	14.5	16.0	19.5	23.0	27.0	27.0									9.0
10.0	13.5	15.0	18.0	21.5	23.5	23.0									10.0
11.0	12.6	13.8	16.8	20.0	20.5	20.1		12.5	14.5	17.0	20.0	19.5			11.0
12.0	11.8	12.8	15.6	18.0	17.3	16.9		11.5	13.5	16.0	18.0	17.4			12.0
14.0	10.3	11.0	13.6	14.3	13.6	13.2		10.2	12.0	14.0	13.7	13.1			14.0
16.0	9.2	9.7	11.5	11.6	10.4	10.0		9.0	10.8	11.5	10.8	10.2			16.0
18.0	8.2	8.6	9.5	9.1	8.4	8.0		8.0	9.6	9.3	8.6	8.0			18.0
20.0	7.4	7.7	7.8	7.4	6.7	6.3		7.2	8.1	7.6	6.9	6.3			20.0
22.0	6.7	6.9	6.4	6.0	5.4	5.0		6.4	6.8	6.3	5.6	5.1			22.0
24.0	6.1	5.9	5.3	4.9	4.3	3.9		5.8	5.6	5.1	4.4	3.9			24.0
26.0	5.5	5.0	4.4	4.0	3.4	3.0		5.3	4.7	4.2	3.5	3.0			26.0
28.0	4.6	4.2	3.6	3.2	2.6	2.2		4.6	4.0	3.5	2.8	2.3			28.0
30.0	4.0	3.6	3.0	2.6	2.0	1.6		3.9	3.3	2.8	2.1	1.6			30.0
32.0	3.4	3.0	2.5	2.1	1.5	1.1		3.3	2.7	2.2	1.5	1.0			32.0
34.0	2.9	2.5	2.0	1.6	1.0			2.8	2.2	1.7	1.0				34.0
36.0	2.4	2.0	1.5	1.1				2.4	1.8	1.3					36.0
38.0	2.0	1.6	1.1					2.0	1.4						38.0
40.0								1.6	1.0						40.0
42.0								1.3							42.0
Reeving	5							4						Reeving	
Hook	60t Anchor Hook												Hook		
Telescoping mode	I	1	1	1	1	2	3		1	1	1	2	3	I	Telescoping mode
	II	1	1	2	3	3	2		1	2	3	3	3	II	
	III	2	3	3	3	2	2		3	3	3	3	2	III	
	IV	3	3	3	2	2	2		3	3	3	2	2	IV	
	V	3	3	2	2	2	2		3	3	2	2	2	V	
	VI	3	2	2	2	2	2		3	2	2	2	2	VI	

Table 75 Main boom

Unit: t

Outriggers intermediately extended 5.3 m, with 23t counterweight, side and rear operations														
Working radius (m)	Boom length (m)												Working radius (m)	
	55.1	55.1	55.1	55.1★	59.7	59.7	59.7★		64.3	64.3★	68.9★	75.0★		
5.0													5.0	
5.5													5.5	
6.0													6.0	
7.0													7.0	
8.0													8.0	
9.0													9.0	
10.0													10.0	
11.0													11.0	
12.0	12.5	14.0	16.5	17.0									12.0	
14.0	11.0	12.6	14.0	13.3	11.0	13.0	13.0						14.0	
16.0	9.8	11.2	11.0	10.3	10.0	11.5	10.5		10.0	10.0			16.0	
18.0	8.8	9.6	8.9	8.2	9.2	9.3	8.6		9.0	8.3	8.8		18.0	
20.0	8.0	8.0	7.3	6.6	8.4	7.5	6.8		7.8	7.1	7.5	6.5	20.0	
22.0	7.2	6.6	5.9	5.2	7.0	6.2	5.5		6.5	5.8	6.2	6.3	22.0	
24.0	6.1	5.5	4.8	4.1	5.9	5.1	4.4		5.5	4.8	5.1	5.2	24.0	
26.0	5.1	4.5	3.8	3.2	4.9	4.1	3.4		4.5	3.8	4.2	4.3	26.0	
28.0	4.3	3.7	3.0	2.4	4.1	3.3	2.6		3.7	3.0	3.4	3.5	28.0	
30.0	3.7	3.1	2.4	1.8	3.5	2.7	2.0		3.1	2.3	2.7	2.8	30.0	
32.0	3.1	2.5	1.8	1.2	2.9	2.1	1.4		2.5	1.7	2.1	2.2	32.0	
34.0	2.6	2.0	1.3		2.4	1.6			2.0	1.2	1.6	1.7	34.0	
36.0	2.1	1.6			1.9	1.1			1.5		1.2	1.3	36.0	
38.0	1.7	1.2			1.5				1.1				38.0	
40.0	1.4				1.2								40.0	
42.0	1.1												42.0	
44.0													44.0	
46.0													46.0	
48.0													48.0	
50.0													50.0	
52.0													52.0	
54.0													54.0	
56.0													56.0	
58.0													58.0	
60.0													60.0	
62.0												1.0	62.0	
Reeving	3						3						Reeving	
Hook	60t Anchor Hook												Hook	
Telescoping mode	I	1	1	2	3	1	2	3		2	3	3	4	I
	II	2	3	3	3	3	3	3		3	3	3	4	II
	III	3	3	3	3	3	3	3		3	3	3	4	III
	IV	3	3	3	2	3	3	3		3	3	3	4	IV
	V	3	3	2	2	3	3	2		3	3	3	4	V
	VI	3	2	2	2	3	2	2		3	2	3	4	VI

Table 76 Main boom

Unit: t

Outriggers intermediately extended 5.3 m, with 18t counterweight, side and rear operations														
Working radius (m)	Boom length (m)												Working radius (m)	
	13.7★	18.3	18.3	18.3	18.3	18.3	22.9	22.9	22.9	22.9	22.9	22.9★		
3.0	95.0	40.5	65.0	85.0	85.0	85.0							3.0	
3.5	90.0	38.5	60.0	82.0	82.0	82.0	28.0	42.0	60.0	73.0	76.0	76.0	3.5	
4.0	80.0	36.0	56.0	77.0	79.0	79.0	26.0	39.0	56.0	68.0	73.0	73.0	4.0	
4.5	68.0	34.5	52.0	68.0	68.0	68.0	24.5	37.0	52.0	63.0	68.0	68.0	4.5	
5.0	60.0	33.0	49.0	60.0	60.0	68.0	23.0	34.5	49.0	60.0	60.0	60.0	5.0	
6.0	47.0	30.2	43.0	47.0	47.0	47.0	21.0	31.0	43.0	47.0	47.0	47.0	6.0	
7.0	35.0	27.5	38.0	37.5	36.5	35.5	19.0	28.0	39.0	38.5	37.5	35.7	7.0	
8.0	27.0	25.5	30.0	29.5	28.5	28.0	17.0	25.0	31.0	30.1	29.1	27.5	8.0	
9.0	22.0	23.5	24.5	24.0	23.0	22.5	16.0	23.0	25.4	24.5	23.5	21.9	9.0	
10.0	18.0	20.5	20.0	19.5	19.0	18.5	15.0	21.0	21.2	20.3	19.3	17.9	10.0	
11.0		17.5	17.0	16.5	16.0	15.5	13.8	18.5	17.9	17.1	16.1	14.7	11.0	
12.0		15.0	14.5	14.0	13.5	13.0	13.0	16.0	15.4	14.6	13.6	12.2	12.0	
14.0		11.0	10.5	10.0	9.5	9.0	11.5	12.2	11.6	10.9	10.0	8.6	14.0	
16.0							10.0	9.6	9.0	8.3	7.5	6.2	16.0	
18.0							8.0	7.6	7.0	6.3	5.5	4.2	18.0	
Reeving	12	12					12						Reeving	
Hook	60t Anchor Hook												Hook	
Telescoping mode	I	1	1	1	1	1	1	1	1	1	1	1	2	I
	II	1	1	1	1	1	2	1	1	1	1	2	2	II
	III	1	1	1	1	2	1	1	1	1	2	2	1	III
	IV	1	1	1	2	1	1	1	1	2	2	1	1	IV
	V	1	1	2	1	1	1	1	2	2	1	1	1	V
	VI	1	2	1	1	1	1	3	2	1	1	1	1	VI



Table 77 Main boom

Unit: t

Outriggers intermediately extended 5.3 m, with 18t counterweight, side and rear operations															
Working radius (m)	Boom length (m)												Working radius (m)		
	27.5	27.5	27.5	27.5	27.5	27.5 ★	32.1	32.1	32.1	32.1	32.1	32.1 ★			
3.0														3.0	
3.5														3.5	
4.0														4.0	
4.5	22.5	22.5	40.5	56.0	67.0	67.0								4.5	
5.0	21.5	21.5	38.5	52.0	64.0	62.0								5.0	
6.0	19.0	19.0	34.5	46.5	48.0	46.0	16.5	21.0	23.5	37.5	47.0	45.0		6.0	
7.0	17.4	17.4	31.5	39.0	37.5	35.5	15.0	19.0	21.0	34.0	37.5	35.5		7.0	
8.0	15.8	15.8	28.8	31.0	29.9	28.2	13.7	17.5	19.0	31.5	30.0	28.0		8.0	
9.0	14.5	14.5	26.5	25.5	24.4	22.7	12.6	16.2	17.6	26.5	25.3	23.6		9.0	
10.0	13.4	13.4	22.0	21.0	19.9	18.3	11.6	15.0	16.2	22.3	21.1	19.4		10.0	
11.0	12.4	12.4	19.0	18.1	17.0	15.4	10.7	14.0	15.0	19.0	17.8	16.2		11.0	
12.0	11.5	11.5	16.4	15.5	14.5	12.9	10.0	13.0	14.0	16.4	15.2	13.7		12.0	
14.0	10.3	10.1	12.6	11.7	10.7	9.3	8.8	11.6	12.2	12.6	11.5	10.0		14.0	
16.0	9.2	9.0	10.0	9.1	8.1	6.7	7.8	10.3	10.2	9.9	8.9	7.4		16.0	
18.0	8.3	8.1	8.0	7.2	6.2	4.9	7.0	8.5	8.2	7.9	6.9	5.5		18.0	
20.0	7.0	6.8	6.5	5.7	4.7	3.4	6.3	6.9	6.7	6.4	5.4	4.1		20.0	
22.0	5.7	5.5	5.2	4.4	3.5	2.2	5.7	5.7	5.5	5.2	4.2	2.9		22.0	
24.0							5.2	4.7	4.5	4.2	3.3	2.0		24.0	
26.0							4.3	3.9	3.7	3.4	2.5	1.2		26.0	
Reeving	11						9						Reeving		
Hook	60t Anchor Hook												Hook		
Telescoping mode	I	1	1	1	1	1	2	1	1	1	1	1	2	I	Telescoping mode
	II	1	1	1	1	2	2	1	1	1	1	2	2	II	
	III	1	1	1	2	2	2	1	1	1	2	2	2	III	
	IV	1	1	2	2	2	1	1	2	3	2	2	2	IV	
	V	2	3	2	2	1	1	3	3	2	2	2	1	V	
	VI	3	2	2	1	1	1	3	2	2	2	1	1	VI	

Table 78 Main boom

Unit: t

Outriggers intermediately extended 5.3 m, with 18t counterweight, side and rear operations														
Working radius (m)	Boom length (m)												Working radius (m)	
	36.7	36.7	36.7	36.7	36.7	36.7★	41.3	41.3	41.3	41.3	41.3	41.3★		
3.0														3.0
3.5														3.5
4.0														4.0
4.5														4.5
5.0														5.0
5.5														5.5
6.0														6.0
7.0	16.0	19.0	23.0	23.5	37.5	35.5								7.0
8.0	15.0	17.1	21.0	21.5	31.2	29.2	15.0	18.0	19.5	23.5	30.0	29.5		8.0
9.0	13.8	15.6	19.5	19.5	26.3	24.5	14.0	16.8	18.0	22.0	25.5	25.0		9.0
10.0	12.8	14.4	18.0	18.0	22.0	20.3	12.8	15.4	16.5	20.3	21.8	21.3		10.0
11.0	11.9	13.3	16.6	16.6	18.7	17.1	11.8	14.3	15.4	18.9	18.5	18.0		11.0
12.0	11.2	12.3	15.5	15.5	16.1	14.5	11.0	13.3	14.2	16.2	15.9	15.4		12.0
14.0	9.8	10.7	12.9	12.6	12.3	10.8	9.6	11.6	12.3	12.4	12.1	11.6		14.0
16.0	8.8	9.5	10.2	9.9	9.6	8.2	8.4	10.3	10.2	9.7	9.4	9.0		16.0
18.0	7.9	8.4	8.2	7.9	7.6	6.3	7.5	8.5	8.1	7.7	7.4	7.0		18.0
20.0	7.2	7.1	6.7	6.4	6.1	4.8	6.7	7.0	6.6	6.2	5.9	5.5		20.0
22.0	6.2	5.9	5.5	5.2	5.0	3.7	6.1	5.8	5.4	5.0	4.7	4.3		22.0
24.0	5.2	4.9	4.5	4.2	4.0	2.7	5.3	4.8	4.4	4.0	3.7	3.3		24.0
26.0	4.4	4.1	3.7	3.4	3.2	1.9	4.5	4.0	3.6	3.2	2.9	2.5		26.0
28.0	3.7	3.4	3.0	2.7	2.5	1.2	3.8	3.3	2.9	2.5	2.3	1.9		28.0
30.0	3.1	2.8	2.4	2.1	1.9		3.2	2.7	2.3	1.9	1.7	1.3		30.0
32.0							2.7	2.2	1.8	1.4	1.2			32.0
34.0							2.2	1.7	1.4	1.0				34.0
Reeving	8						6						Reeving	
Hook	60t Anchor Hook												Hook	
Telescoping mode	I	1	1	1	1	1	2	1	1	1	1	1	2	I
	II	1	1	1	1	2	2	1	1	1	2	3	2	II
	III	1	1	2	3	2	2	1	2	3	3	2	2	III
	IV	2	3	3	2	2	2	3	3	3	2	2	2	IV
	V	3	3	2	2	2	2	3	3	2	2	2	2	V
	VI	3	2	2	2	2	1	3	2	2	2	2	2	VI

Table 79 Main boom

Unit: t

Outriggers intermediately extended 5.3 m, with 18t counterweight, side and rear operations															
Working radius (m)	Boom length (m)												Working radius (m)		
	45.9	45.9	45.9	45.9	45.9	45.9	★		50.5	50.5	50.5	50.5		50.5	★
3.0															3.0
3.5															3.5
4.0															4.0
4.5															4.5
5.0															5.0
5.5															5.5
6.0															6.0
7.0															7.0
8.0															8.0
9.0	14.5	16.0	19.5	23.0	24.5	24.0									9.0
10.0	13.5	15.0	18.0	21.5	20.9	20.4									10.0
11.0	12.6	13.8	16.8	18.6	17.8	17.4		12.5	14.5	17.0	17.5	17.0			11.0
12.0	11.8	12.8	15.6	16.1	15.3	14.9		11.5	13.5	16.0	15.4	14.8			12.0
14.0	10.3	11.0	12.7	12.2	11.5	11.1		10.2	12.0	12.4	11.6	11.0			14.0
16.0	9.2	9.7	10.0	9.5	8.9	8.5		9.0	10.3	9.8	9.0	8.4			16.0
18.0	8.2	8.6	8.0	7.5	6.9	6.5		8.0	8.3	7.8	7.0	6.4			18.0
20.0	7.4	7.0	6.4	6.0	5.4	5.0		7.2	6.8	6.3	5.5	4.9			20.0
22.0	6.2	5.8	5.2	4.8	4.2	3.8		6.2	5.5	5.0	4.3	3.7			22.0
24.0	5.2	4.8	4.2	3.8	3.2	2.8		5.2	4.5	4.0	3.3	2.8			24.0
26.0	4.4	4.0	3.4	3.0	2.4	2.0		4.3	3.7	3.2	2.5	2.0			26.0
28.0	3.7	3.3	2.7	2.3	1.7	1.3		3.6	3.0	2.5	1.8	1.3			28.0
30.0	3.1	2.7	2.1	1.7	1.1			3.0	2.4	1.9	1.2				30.0
32.0	2.6	2.2	1.6	1.2				2.5	1.9	1.4					32.0
34.0	2.1	1.7	1.2					2.0	1.5	1.0					34.0
36.0	1.7	1.3						1.6	1.1						36.0
38.0	1.4	1.0						1.3							38.0
40.0								1.0							40.0
42.0															42.0
Reeving	5							4						Reeving	
Hook	60t Anchor Hook												Hook		
Telescoping mode	I	1	1	1	1	2	3		1	1	1	2	3	I	Telescoping mode
	II	1	1	2	3	3	2		1	2	3	3	3	II	
	III	2	3	3	3	2	2		3	3	3	3	2	III	
	IV	3	3	3	2	2	2		3	3	3	2	2	IV	
	V	3	3	2	2	2	2		3	3	2	2	2	V	
	VI	3	2	2	2	2	2		3	2	2	2	2	VI	

Table 80 Main boom

Unit: t

Outriggers intermediately extended 5.3 m, with 18t counterweight, side and rear operations														
Working radius (m)	Boom length (m)												Working radius (m)	
	55.1	55.1	55.1	55.1★	59.7	59.7	59.7★		64.3	64.3★	68.9★	75.0★		
5.0													5.0	
5.5													5.5	
6.0													6.0	
7.0													7.0	
8.0													8.0	
9.0													9.0	
10.0													10.0	
11.0													11.0	
12.0	12.5	14.0	15.5	14.5									12.0	
14.0	11.0	12.6	12.0	11.2	11.0	12.0	11.5						14.0	
16.0	9.8	10.0	9.1	8.4	10.0	9.6	8.9		9.5	9.0			16.0	
18.0	8.8	8.2	7.3	6.6	8.5	7.6	6.9		8.0	7.0	7.0		18.0	
20.0	7.2	6.6	5.8	5.1	7.0	6.1	5.4		6.6	5.8	6.2	6.0	20.0	
22.0	6.0	5.4	4.6	3.9	5.8	4.9	4.2		5.3	4.5	5.0	5.1	22.0	
24.0	4.9	4.3	3.6	2.9	4.7	3.9	3.2		4.3	3.5	4.0	4.1	24.0	
26.0	4.1	3.5	2.8	2.1	3.9	3.1	2.4		3.5	2.7	3.1	3.2	26.0	
28.0	3.4	2.8	2.1	1.4	3.2	2.4	1.7		2.8	2.0	2.4	2.5	28.0	
30.0	2.8	2.2	1.5		2.6	1.8	1.1		2.2	1.4	1.8	1.9	30.0	
32.0	2.3	1.7	1.0		2.1	1.3			1.6		1.3	1.4	32.0	
34.0	1.8	1.3			1.6				1.2				34.0	
36.0	1.4				1.2								36.0	
38.0	1.1												38.0	
40.0													40.0	
42.0													42.0	
44.0													44.0	
46.0													46.0	
48.0													48.0	
50.0													50.0	
52.0													52.0	
54.0													54.0	
56.0													56.0	
58.0													58.0	
60.0													60.0	
62.0												1.0	62.0	
Reeving	3								3				Reeving	
Hook	60t Anchor Hook												Hook	
Telescoping mode	I	1	1	2	3	1	2	3		2	3	3	4	I
	II	2	3	3	3	3	3	3		3	3	3	4	II
	III	3	3	3	3	3	3	3		3	3	3	4	III
	IV	3	3	3	2	3	3	3		3	3	3	4	IV
	V	3	3	2	2	3	3	2		3	3	3	4	V
	VI	3	2	2	2	3	2	2		3	2	3	4	VI

Table 81 Main boom

Unit: t

Outriggers intermediately extended 5.3 m, with 13t counterweight, side and rear operations														
Working radius (m)	Boom length (m)												Working radius (m)	
	13.7★	18.3	18.3	18.3	18.3	18.3	22.9	22.9	22.9	22.9	22.9	22.9★		
3.0	95.0	40.5	65.0	85.0	85.0	85.0							3.0	
3.5	90.0	38.5	60.0	82.0	82.0	82.0	28.0	42.0	60.0	73.0	76.0	76.0	3.5	
4.0	85.0	36.0	56.0	77.0	79.0	77.0	26.0	39.0	56.0	68.0	73.0	73.0	4.0	
4.5	74.0	34.5	52.0	72.0	76.0	74.0	24.5	37.0	52.0	63.0	68.0	65.0	4.5	
5.0	62.0	33.0	49.0	61.0	60.0	59.0	23.0	34.5	49.0	60.0	59.0	56.0	5.0	
6.0	41.0	30.2	43.0	44.5	43.5	42.5	21.0	31.0	43.0	42.0	42.0	40.0	6.0	
7.0	30.0	27.5	33.4	32.9	32.2	31.2	19.0	28.0	34.0	33.0	32.0	30.2	7.0	
8.0	23.0	25.5	26.0	25.5	24.8	24.0	17.0	25.0	26.9	25.9	24.9	23.1	8.0	
9.0	18.5	21.0	20.6	20.1	19.5	18.8	16.0	22.5	21.7	20.8	19.8	18.2	9.0	
10.0	15.0	17.6	17.2	16.7	16.1	15.4	15.0	18.7	18.0	17.1	16.1	14.6	10.0	
11.0		14.7	14.3	13.9	13.3	12.7	13.8	15.8	15.1	14.3	13.3	11.9	11.0	
12.0		12.5	12.1	11.7	11.1	10.5	13.0	13.5	12.9	12.1	11.2	9.8	12.0	
14.0		9.2	8.8	8.4	7.9	7.3	10.5	10.2	9.6	8.8	8.0	6.6	14.0	
16.0							8.1	7.8	7.2	6.5	5.7	4.4	16.0	
18.0							6.4	6.1	5.5	4.8	4.0	2.7	18.0	
Reeving	12	12					12						Reeving	
Hook	60t Anchor Hook												Hook	
Telescoping mode	I	1	1	1	1	1	1	1	1	1	1	1	2	Telescoping mode
	II	1	1	1	1	1	2	1	1	1	1	2	2	
	III	1	1	1	1	2	1	1	1	1	2	2	1	
	IV	1	1	1	2	1	1	1	1	2	2	1	1	
	V	1	1	2	1	1	1	1	2	2	1	1	1	
	VI	1	2	1	1	1	1	3	2	1	1	1	1	

Table 82 Main boom

Unit: t

Outriggers intermediately extended 5.3 m, with 13t counterweight, side and rear operations															
Working radius (m)	Boom length (m)												Working radius (m)		
	27.5	27.5	27.5	27.5	27.5	27.5 ★	32.1	32.1	32.1	32.1	32.1	32.1 ★			
3.0														3.0	
3.5														3.5	
4.0														4.0	
4.5	22.5	22.5	40.5	56.0	67.0	65.0								4.5	
5.0	21.5	21.5	38.5	52.0	56.0	54.0								5.0	
6.0	19.0	19.0	34.5	43.0	41.5	39.5	16.5	21.0	23.5	37.5	41.0	39.0		6.0	
7.0	17.4	17.4	31.5	34.0	32.5	30.5	15.0	19.0	21.0	34.0	33.0	31.0		7.0	
8.0	15.8	15.8	28.0	26.8	25.7	23.7	13.7	17.5	19.0	28.0	26.6	24.6		8.0	
9.0	14.5	14.5	23.0	21.8	20.7	19.0	12.6	16.2	17.6	23.0	21.7	19.9		9.0	
10.0	13.4	13.4	19.2	18.1	17.0	15.3	11.6	15.0	16.2	19.1	17.9	16.2		10.0	
11.0	12.4	12.4	16.2	15.3	14.2	12.6	10.7	14.0	15.0	16.2	15.0	13.4		11.0	
12.0	11.5	11.5	13.9	13.0	11.9	10.4	10.0	13.0	14.0	13.9	12.7	11.2		12.0	
14.0	10.3	10.1	10.6	9.7	8.7	7.2	8.8	11.0	10.7	10.4	9.4	8.0		14.0	
16.0	8.7	8.5	8.2	7.4	6.4	5.0	7.8	8.7	8.4	8.1	7.1	5.7		16.0	
18.0	7.0	6.8	6.5	5.7	4.7	3.3	7.0	7.0	6.7	6.4	5.4	4.0		18.0	
20.0	5.6	5.4	5.1	4.3	3.3	2.0	6.0	5.6	5.3	5.0	4.1	2.7		20.0	
22.0	4.5	4.3	4.1	3.3	2.3	1.0	4.9	4.5	4.3	4.0	3.1	1.7		22.0	
24.0							4.0	3.6	3.4	3.1	2.2			24.0	
26.0							3.3	2.9	2.7	2.4	1.5			26.0	
Reeving	11						9						Reeving		
Hook	60t Anchor Hook												Hook		
Telescoping mode	I	1	1	1	1	1	2	1	1	1	1	1	2	I	Telescoping mode
	II	1	1	1	1	2	2	1	1	1	1	2	2	II	
	III	1	1	1	2	2	2	1	1	1	2	2	2	III	
	IV	1	1	2	2	2	1	1	2	3	2	2	2	IV	
	V	2	3	2	2	1	1	3	3	2	2	2	1	V	
	VI	3	2	2	1	1	1	3	2	2	2	1	1	VI	

Table 83 Main boom

Unit: t

Outriggers intermediately extended 5.3 m, with 13t counterweight, side and rear operations														
Working radius (m)	Boom length (m)												Working radius (m)	
	36.7	36.7	36.7	36.7	36.7	36.7★	41.3	41.3	41.3	41.3	41.3	41.3★		
3.0														3.0
3.5														3.5
4.0														4.0
4.5														4.5
5.0														5.0
5.5														5.5
6.0														6.0
7.0	16.0	19.0	23.0	23.5	33.0	31.0								7.0
8.0	15.0	17.1	21.0	21.5	27.0	25.0	15.0	18.0	19.5	23.5	26.0	25.5		8.0
9.0	13.8	15.6	19.5	19.5	22.6	20.6	14.0	16.8	18.0	22.0	22.0	21.4		9.0
10.0	12.8	14.4	18.0	18.0	18.8	17.1	12.8	15.4	16.5	18.9	18.6	18.0		10.0
11.0	11.9	13.3	16.6	16.0	15.6	14.0	11.8	14.3	15.4	16.0	15.7	15.1		11.0
12.0	11.2	12.3	14.2	14.0	13.6	12.0	11.0	13.3	14.2	13.7	13.4	12.9		12.0
14.0	9.8	10.7	10.8	10.6	10.2	8.7	9.6	11.2	10.8	10.3	10.0	9.5		14.0
16.0	8.8	8.9	8.4	8.2	7.9	6.4	8.4	8.8	8.4	7.9	7.6	7.1		16.0
18.0	7.5	7.1	6.6	6.4	6.1	4.7	7.5	7.0	6.6	6.2	5.9	5.4		18.0
20.0	6.1	5.8	5.3	5.1	4.8	3.4	6.2	5.7	5.3	4.9	4.6	4.1		20.0
22.0	5.0	4.7	4.2	4.0	3.7	2.4	5.1	4.6	4.2	3.8	3.5	3.1		22.0
24.0	4.1	3.8	3.3	3.1	2.8	1.6	4.2	3.7	3.3	2.9	2.6	2.2		24.0
26.0	3.4	3.1	2.6	2.4	2.1		3.5	3.0	2.6	2.2	1.9	1.5		26.0
28.0	2.8	2.5	2.0	1.8	1.5		2.9	2.4	2.0	1.6	1.3			28.0
30.0	2.2	1.9	1.5	1.3	1.0		2.3	1.8	1.4	1.1				30.0
32.0							1.9	1.4	1.0					32.0
34.0							1.5	1.0						34.0
Reeving	8						6						Reeving	
Hook	60t Anchor Hook												Hook	
Telescoping mode	I	1	1	1	1	1	2	1	1	1	1	1	2	I
	II	1	1	1	1	2	2	1	1	1	2	3	2	II
	III	1	1	2	3	2	2	1	2	3	3	2	2	III
	IV	2	3	3	2	2	2	3	3	3	2	2	2	IV
	V	3	3	2	2	2	2	3	3	2	2	2	2	V
	VI	3	2	2	2	2	1	3	2	2	2	2	2	VI

Table 84 Main boom

Unit: t

Outriggers intermediately extended 5.3 m, with 13t counterweight, side and rear operations															
Working radius (m)	Boom length (m)												Working radius (m)		
	45.9	45.9	45.9	45.9	45.9	45.9	★		50.5	50.5	50.5	50.5		50.5	★
3.0															3.0
3.5															3.5
4.0															4.0
4.5															4.5
5.0															5.0
5.5															5.5
6.0															6.0
7.0															7.0
8.0															8.0
9.0	14.5	16.0	19.5	21.5	20.7	20.2									9.0
10.0	13.5	15.0	18.0	18.5	17.7	17.2									10.0
11.0	12.6	13.8	16.3	15.8	15.1	14.6		12.5	14.5	15.5	15.0	14.0			11.0
12.0	11.8	12.8	14.0	13.5	12.8	12.3		11.5	13.5	13.5	12.7	12.1			12.0
14.0	10.3	11.0	10.6	10.1	9.4	9.0		10.2	11.0	10.4	9.6	9.0			14.0
16.0	9.2	8.8	8.1	7.7	7.0	6.6		9.0	8.6	8.0	7.2	6.6			16.0
18.0	7.5	7.0	6.4	6.0	5.3	4.9		7.5	6.8	6.2	5.5	4.9			18.0
20.0	6.1	5.6	5.1	4.7	4.0	3.6		6.1	5.4	4.9	4.2	3.6			20.0
22.0	5.0	4.5	4.0	3.6	3.0	2.6		5.0	4.3	3.8	3.1	2.6			22.0
24.0	4.1	3.6	3.1	2.7	2.1	1.7		4.1	3.4	2.9	2.2	1.7			24.0
26.0	3.4	2.9	2.4	2.0	1.4	1.0		3.3	2.7	2.2	1.5	1.0			26.0
28.0	2.8	2.3	1.8	1.4				2.7	2.1	1.6					28.0
30.0	2.2	1.8	1.3					2.2	1.6	1.1					30.0
32.0	1.7	1.3						1.7	1.1						32.0
34.0	1.4	1.0						1.3							34.0
36.0	1.0														36.0
38.0															38.0
40.0															40.0
42.0															42.0
Reeving	5							4						Reeving	
Hook	60t Anchor Hook												Hook		
Telescoping mode	I	1	1	1	1	2	3		1	1	1	2	3	I	
	II	1	1	2	3	3	2		1	2	3	3	3	II	
	III	2	3	3	3	2	2		3	3	3	3	2	III	
	IV	3	3	3	2	2	2		3	3	3	2	2	IV	
	V	3	3	2	2	2	2		3	3	2	2	2	V	
	VI	3	2	2	2	2	2		3	2	2	2	2	VI	



Table 85 Main boom

Unit: t

Outriggers intermediately extended 5.3 m, with 13t counterweight, side and rear operations														
Working radius (m)	Boom length (m)												Working radius (m)	
	55.1	55.1	55.1	55.1★	59.7	59.7	59.7★		64.3	64.3★	68.9★	75.0★		
5.0													5.0	
5.5													5.5	
6.0													6.0	
7.0													7.0	
8.0													8.0	
9.0													9.0	
10.0													10.0	
11.0													11.0	
12.0	12.5	13.5	12.5	12.0									12.0	
14.0	11.0	10.5	9.6	8.9	10.5	10.0	9.2						14.0	
16.0	9.0	8.4	7.5	6.8	8.5	7.7	6.9		8.0	7.5			16.0	
18.0	7.2	6.6	5.8	5.1	7.0	6.2	5.4		6.5	5.7	6.0		18.0	
20.0	5.8	5.2	4.4	3.7	5.6	4.8	4.0		5.2	4.4	4.8	4.9	20.0	
22.0	4.7	4.1	3.3	2.7	4.5	3.7	3.0		4.1	3.3	3.7	3.8	22.0	
24.0	3.8	3.2	2.4	1.8	3.6	2.8	2.1		3.2	2.4	2.8	2.9	24.0	
26.0	3.1	2.5	1.7	1.1	2.9	2.1	1.4		2.4	1.7	2.1	2.2	26.0	
28.0	2.4	1.9	1.1		2.2	1.4			1.8	1.1	1.5	1.6	28.0	
30.0	1.9	1.4			1.7				1.3			1.0	30.0	
32.0	1.4				1.3								32.0	
34.0	1.1												34.0	
36.0													36.0	
38.0													38.0	
40.0													40.0	
42.0													42.0	
44.0													44.0	
46.0													46.0	
48.0													48.0	
50.0													50.0	
52.0													52.0	
54.0													54.0	
56.0													56.0	
58.0													58.0	
60.0													60.0	
62.0												1.0	62.0	
Reeving	3						3						Reeving	
Hook	60t Anchor Hook												Hook	
Telescoping mode	I	1	1	2	3	1	2	3		2	3	3	4	I
	II	2	3	3	3	3	3	3		3	3	3	4	II
	III	3	3	3	3	3	3	3		3	3	3	4	III
	IV	3	3	3	2	3	3	3		3	3	3	4	IV
	V	3	3	2	2	3	3	2		3	3	3	4	V
	VI	3	2	2	2	3	2	2		3	2	3	4	VI

Table 86 Main boom

Unit: t

Outriggers intermediately extended 5.3 m, with 2t counterweight, side and rear operations														
Working radius (m)	Boom length (m)												Working radius (m)	
	13.7★	18.3	18.3	18.3	18.3	18.3	22.9	22.9	22.9	22.9	22.9	22.9★		
3.0	95.0	40.5	65.0	85.0	85.0	85.0							3.0	
3.5	90.0	38.5	60.0	82.0	80.0	79.0	28.0	42.0	60.0	73.0	76.0	74.0	3.5	
4.0	68.0	36.0	56.0	66.0	65.0	64.0	26.0	39.0	56.0	63.0	61.0	59.0	4.0	
4.5	51.0	34.5	52.0	51.0	50.0	49.0	24.5	37.0	52.0	50.0	48.0	46.0	4.5	
5.0	40.0	33.0	42.5	41.5	40.5	39.5	23.0	34.5	41.5	40.5	39.0	37.0	5.0	
6.0	27.0	30.2	30.0	29.3	28.5	27.5	21.0	31.0	30.0	29.0	27.6	25.6	6.0	
7.0	19.0	22.0	21.6	21.0	20.4	19.5	19.0	23.5	22.5	21.5	20.4	18.4	7.0	
8.0	14.0	16.8	16.4	15.8	15.2	14.4	17.0	18.0	17.3	16.3	15.2	13.5	8.0	
9.0	10.5	13.0	12.6	12.1	11.6	10.9	14.5	14.2	13.5	12.5	11.5	10.0	9.0	
10.0	8.2	10.5	10.1	9.6	9.1	8.4	12.0	11.7	11.0	10.1	9.1	7.6	10.0	
11.0		8.6	8.2	7.7	7.2	6.5	10.0	9.7	9.0	8.1	7.1	5.7	11.0	
12.0		7.0	6.6	6.2	5.7	5.0	8.4	8.1	7.4	6.6	5.6	4.2	12.0	
14.0		4.7	4.3	3.9	3.4	2.7	6.0	5.7	5.0	4.3	3.4	2.0	14.0	
16.0							4.3	4.0	3.4	2.7	1.8		16.0	
18.0							3.0	2.7	2.1	1.4			18.0	
Reeving	12	12					12						Reeving	
Hook	60t Anchor Hook												Hook	
Telescoping mode	I	1	1	1	1	1	1	1	1	1	1	1	2	I
	II	1	1	1	1	1	2	1	1	1	1	2	2	II
	III	1	1	1	1	2	1	1	1	1	2	2	1	III
	IV	1	1	1	2	1	1	1	1	2	2	1	1	IV
	V	1	1	2	1	1	1	1	2	2	1	1	1	V
	VI	1	2	1	1	1	1	3	2	1	1	1	1	VI
														Telescoping mode

Table 87 Main boom

Unit: t

Outriggers intermediately extended 5.3 m, with 2t counterweight, side and rear operations														
Working radius (m)	Boom length (m)												Working radius (m)	
	27.5	27.5	27.5	27.5	27.5	27.5★	32.1	32.1	32.1	32.1	32.1	32.1★		
3.0														3.0
3.5														3.5
4.0														4.0
4.5	22.5	22.5	40.5	49.0	47.0	45.0								4.5
5.0	21.5	21.5	38.5	40.5	38.5	36.5								5.0
6.0	19.0	19.0	30.6	29.4	27.4	25.4	16.5	21.0	23.5	29.5	28.0	26.0		6.0
7.0	17.4	17.4	23.6	22.4	21.0	19.0	15.0	19.0	21.0	23.0	21.5	19.5		7.0
8.0	15.8	15.8	18.5	17.4	16.1	14.3	13.7	17.5	18.8	18.4	17.0	15.1		8.0
9.0	14.5	14.5	14.8	13.7	12.6	10.9	12.6	15.5	15.2	14.8	13.5	11.7		9.0
10.0	12.7	12.4	12.1	11.1	10.0	8.3	11.6	12.7	12.4	12.1	10.8	9.2		10.0
11.0	10.6	10.3	10.0	9.1	8.0	6.4	10.7	10.6	10.3	10.0	8.8	7.2		11.0
12.0	9.0	8.7	8.4	7.5	6.4	4.9	9.5	9.0	8.7	8.4	7.2	5.7		12.0
14.0	6.6	6.3	6.0	5.2	4.1	2.7	7.0	6.5	6.3	6.0	4.9	3.4		14.0
16.0	4.9	4.6	4.3	3.5	2.5	1.1	5.2	4.8	4.6	4.3	3.3	1.8		16.0
18.0	3.6	3.4	3.1	2.3	1.3		4.0	3.6	3.4	3.1	2.1			18.0
20.0	2.6	2.4	2.1	1.3			3.0	2.6	2.4	2.1	1.1			20.0
22.0	1.9	1.7	1.4				2.2	1.8	1.6	1.3				22.0
24.0							1.6	1.2	1.0					24.0
26.0							1.1							26.0
Reeving	11						9						Reeving	
Hook	60t Anchor Hook												Hook	
Telescoping mode	I	1	1	1	1	1	2	1	1	1	1	1	2	I
	II	1	1	1	1	2	2	1	1	1	1	2	2	II
	III	1	1	1	2	2	2	1	1	1	2	2	2	III
	IV	1	1	2	2	2	1	1	2	3	2	2	2	IV
	V	2	3	2	2	1	1	3	3	2	2	2	1	V
	VI	3	2	2	1	1	1	3	2	2	2	1	1	VI

Table 88 Main boom

Unit: t

Outriggers intermediately extended 5.3 m, with 2t counterweight, side and rear operations														
Working radius (m)	Boom length (m)												Working radius (m)	
	36.7	36.7	36.7	36.7	36.7	36.7★	41.3	41.3	41.3	41.3	41.3	41.3★		
3.0														3.0
3.5														3.5
4.0														4.0
4.5														4.5
5.0														5.0
5.5														5.5
6.0														6.0
7.0	16.0	19.0	22.7	22.4	22.0	20.0								7.0
8.0	15.0	17.1	18.4	18.1	17.6	15.8	15.0	18.0	18.0	17.0	16.5	16.0		8.0
9.0	13.8	15.6	15.1	14.8	14.4	12.6	14.0	15.4	14.9	14.3	13.9	13.3		9.0
10.0	12.8	13.0	12.4	12.1	11.7	10.0	12.8	12.9	12.4	11.8	11.5	10.9		10.0
11.0	11.3	10.9	10.3	10.0	9.6	8.1	11.4	10.8	10.3	9.7	9.4	8.9		11.0
12.0	9.6	9.2	8.7	8.4	8.0	6.5	9.7	9.1	8.6	8.1	7.8	7.3		12.0
14.0	7.1	6.7	6.2	6.0	5.7	4.2	7.2	6.6	6.2	5.7	5.4	4.9		14.0
16.0	5.4	5.0	4.5	4.3	4.0	2.6	5.5	4.9	4.5	4.0	3.7	3.2		16.0
18.0	4.1	3.7	3.3	3.1	2.8	1.4	4.2	3.7	3.3	2.8	2.5	2.0		18.0
20.0	3.1	2.7	2.3	2.1	1.8		3.2	2.7	2.3	1.8	1.6	1.1		20.0
22.0	2.3	1.9	1.6	1.4	1.1		2.4	1.9	1.5	1.1				22.0
24.0	1.7	1.3	1.0				1.8	1.3						24.0
26.0	1.2						1.3							26.0
28.0														28.0
30.0														30.0
32.0														32.0
34.0														34.0
Reeving	8						6						Reeving	
Hook	60t Anchor Hook												Hook	
Telescoping mode	I	1	1	1	1	1	2	1	1	1	1	1	2	I
	II	1	1	1	1	2	2	1	1	1	2	3	2	II
	III	1	1	2	3	2	2	1	2	3	3	2	2	III
	IV	2	3	3	2	2	2	3	3	3	2	2	2	IV
	V	3	3	2	2	2	2	3	3	2	2	2	2	V
	VI	3	2	2	2	2	1	3	2	2	2	2	2	VI

Table 89 Main boom

Unit: t

Outriggers intermediately extended 5.3 m, with 2t counterweight, side and rear operations															
Working radius (m)	Boom length (m)												Working radius (m)		
	45.9	45.9	45.9	45.9	45.9	45.9	★		50.5	50.5	50.5	50.5		50.5	★
3.0															3.0
3.5															3.5
4.0															4.0
4.5															4.5
5.0															5.0
5.5															5.5
6.0															6.0
7.0															7.0
8.0															8.0
9.0	14.5	15.0	14.0	13.5	12.8	12.3									9.0
10.0	13.3	12.7	11.9	11.4	10.7	10.2									10.0
11.0	11.4	10.8	10.0	9.5	8.8	8.3		11.0	10.0	9.5	8.5	8.0			11.0
12.0	9.7	9.1	8.4	7.9	7.2	6.7		9.5	8.7	8.2	7.3	6.7			12.0
14.0	7.2	6.6	6.0	5.5	4.8	4.4		7.1	6.3	5.8	5.0	4.4			14.0
16.0	5.4	4.9	4.3	3.8	3.1	2.8		5.3	4.6	4.1	3.3	1.7			16.0
18.0	4.1	3.6	3.0	2.6	1.9	1.6		4.0	3.3	2.8	2.1	1.5			18.0
20.0	3.1	2.6	2.1	1.7	1.0			3.0	2.4	1.9	1.2				20.0
22.0	2.3	1.8	1.3					2.2	1.6	1.1					22.0
24.0	1.7	1.2						1.6	1.0						24.0
26.0	1.2							1.1							26.0
28.0															28.0
30.0															30.0
32.0															32.0
34.0															34.0
36.0															36.0
38.0															38.0
40.0															40.0
42.0															42.0
Reeving	5							4						Reeving	
Hook	60t Anchor Hook												Hook		
Telescoping mode	I	1	1	1	1	2	3		1	1	1	2	3	I	
	II	1	1	2	3	3	2		1	2	3	3	3	II	
	III	2	3	3	3	2	2		3	3	3	3	2	III	
	IV	3	3	3	2	2	2		3	3	3	2	2	IV	
	V	3	3	2	2	2	2		3	3	2	2	2	V	
	VI	3	2	2	2	2	2		3	2	2	2	2	VI	

Table 90 Main boom

Unit: t

Outriggers intermediately extended 5.3 m, with 2t counterweight, side and rear operations														
Working radius (m)	Boom length (m)												Working radius (m)	
	55.1	55.1	55.1	55.1★	59.7	59.7	59.7★		64.3	64.3★	68.9★	75.0★		
5.0													5.0	
5.5													5.5	
6.0													6.0	
7.0													7.0	
8.0													8.0	
9.0													9.0	
10.0													10.0	
11.0													11.0	
12.0	9.0	8.5	7.5	7.0									12.0	
14.0	6.8	6.2	5.3	4.5	6.5	5.5	4.5						14.0	
16.0	5.1	4.5	3.6	2.9	4.9	3.9	3.1		4.5	3.5			16.0	
18.0	3.8	3.2	2.3	1.6	3.6	2.7	1.9		3.1	2.3	2.7		18.0	
20.0	2.8	2.2	1.4		2.6	1.7	1.0		2.1	1.3	1.7	1.8	20.0	
22.0	2.0	1.4			1.8				1.3			1.0	22.0	
24.0	1.3				1.1								24.0	
26.0													26.0	
28.0													28.0	
30.0													30.0	
32.0													32.0	
34.0													34.0	
36.0													36.0	
38.0													38.0	
40.0													40.0	
42.0													42.0	
44.0													44.0	
46.0													46.0	
48.0													48.0	
50.0													50.0	
52.0													52.0	
54.0													54.0	
56.0													56.0	
58.0													58.0	
60.0													60.0	
62.0												1.0	62.0	
Reeving	3								3					Reeving
Hook	60t Anchor Hook												Hook	
Telescoping mode	I	1	1	2	3	1	2	3		2	3	3	4	I
	II	2	3	3	3	3	3	3		3	3	3	4	II
	III	3	3	3	3	3	3	3		3	3	3	4	III
	IV	3	3	3	2	3	3	3		3	3	3	4	IV
	V	3	3	2	2	3	3	2		3	3	3	4	V
	VI	3	2	2	2	3	2	2		3	2	3	4	VI

Table 91 Jib/extension

Unit: t

Boom angle( °)	Main boom + Jib/extension (m)								
	Outriggers completely extended, with 40t counterweight, side and rear operations								
	68.9+9.5	68.9+10.4			68.9+17.5			68.9+9.5+10.4	68.9+9.5+17.5
0°	0°	15°	30°	0°	15°	30°	0°	0°	
80	5.0	4.5	4.0	3.5	3.0	2.5	2.0	2.6	2.0
78	5.0	4.5	4.0	3.5	3.0	2.5	1.8	2.6	1.8
76	4.6	4.0	3.8	3.4	3.0	2.2	1.7	2.4	1.6
74	4.3	3.8	3.6	3.2	2.8	2.0	1.7	2.2	1.5
72	4.0	3.6	3.4	3.0	2.6	1.9	1.6	2.0	1.4
70	3.7	3.4	3.2	2.8	2.4	1.8	1.6	1.8	1.4
68	3.4	3.1	2.9	2.6	2.3	1.8	1.6	1.6	1.3
66	3.2	2.9	2.7	2.5	2.2	1.7	1.6	1.5	1.2
64	3.0	2.7	2.5	2.4	2.1	1.7	1.5	1.4	1.1
62	2.8	2.5	2.3	2.2	2.0	1.6	1.5	1.3	1.0
60	2.6	2.3	2.1	2.0	1.9	1.6	1.4	1.2	0.9
58	2.5	2.1	2.0	1.9	1.7	1.5	1.4	1.1	
56	2.3	1.9	1.8	1.7	1.5	1.4	1.3		
54	2.1	1.8	1.7	1.6	1.4	1.3	1.2		
52	2.0	1.6	1.5	1.4	1.3	1.2	1.1		
50	1.8	1.5	1.4	1.3	1.2	1.1	1.0		
48	1.7	1.3	1.2	1.1	1.1	1.0	0.9		
46	1.5	1.2	1.1	1.0	1.0				
44	1.4	1.0							
42	1.2								
Reeving	1								
Hook	6.5t								

Table 92 Jib/extension

Unit: t

Boom angle( °)	Main boom + Jib/extension (m)									
	Outriggers completely extended, with 27t counterweight, side and rear operations									
	68.9+9.5		68.9+10.4			68.9+17.5			68.9+9.5+10.4	
	0°	0°	15°	30°	0°	15°	30°	0°	0°	
80	5.0	4.5	4.0	3.5	3.0	2.5	2.0	2.6		2.0
78	5.0	4.5	4.0	3.5	3.0	2.5	1.8	2.6		1.8
76	4.6	4.0	3.8	3.4	3.0	2.2	1.7	2.4		1.6
74	4.3	3.8	3.6	3.2	2.8	2.0	1.7	2.2		1.5
72	4.0	3.6	3.4	3.0	2.6	1.9	1.6	2.0		1.4
70	3.7	3.4	3.2	2.8	2.4	1.8	1.6	1.8		1.4
68	3.4	3.1	2.9	2.6	2.3	1.8	1.6	1.6		1.3
66	3.2	2.9	2.7	2.5	2.2	1.7	1.6	1.5		1.2
64	3.0	2.7	2.5	2.4	2.1	1.7	1.5	1.4		1.1
62	2.8	2.4	2.3	2.2	2.0	1.6	1.5	1.3		1.0
60	2.4	2.1	2.0	1.9	1.8	1.6	1.4	1.1		0.9
58	2.0	1.8	1.7	1.6	1.5	1.4	1.3			
56	1.7	1.5	1.4	1.3	1.2	1.1	1.0			
54	1.4	1.2	1.1	1.0	1.0					
52										
50										
48										
46										
44										
42										
Reeving	1									
Hook	6.5t									



Table 93 Jib/extension

Unit: t

Boom angle( °)	Main boom + Jib/extension (m)									
	Outriggers completely extended, with 23t counterweight, side and rear operations									
	68.9+9.5	68.9+10.4			68.9+17.5			68.9+9.5+10.4	68.9+9.5+17.5	
0°	0°	15°	30°	0°	15°	30°	0°	0°		
80	5.0	4.5	4.0	3.5	3.0	2.5	2.0	2.6	2.0	
78	5.0	4.5	4.0	3.5	3.0	2.5	1.8	2.6	1.8	
76	4.6	4.0	3.8	3.4	3.0	2.2	1.7	2.4	1.6	
74	4.3	3.8	3.6	3.2	2.8	2.0	1.7	2.2	1.5	
72	4.0	3.6	3.4	3.0	2.6	1.9	1.6	2.0	1.4	
70	3.7	3.4	3.2	2.8	2.4	1.8	1.6	1.8	1.4	
68	3.4	3.1	2.9	2.6	2.3	1.8	1.6	1.6	1.3	
66	3.2	2.9	2.7	2.5	2.2	1.7	1.6	1.5	1.2	
64	2.8	2.5	2.3	2.2	2.1	1.7	1.5	1.4	1.1	
62	2.4	2.0	1.9	1.8	1.8	1.6	1.5	1.0	0.9	
60	2.0	1.6	1.5	1.4	1.4	1.3	1.2			
58	1.6	1.3	1.2	1.1	1.1	1.0	1.0			
56	1.3	1.0								
54	1.0									
52										
50										
48										
46										
44										
42										
Reeving	1									
Hook	6.5t									

Table 94 Jib/extension

Unit: t

Boom angle( °)	Main boom + Jib/extension (m)									
	Outriggers completely extended, with 18t counterweight, side and rear operations									
	68.9+9.5	68.9+10.4			68.9+17.5			68.9+9.5+10.4	68.9+9.5+17.5	
0°	0°	15°	30°	0°	15°	30°	0°	0°		
80	5.0	4.5	4.0	3.5	3.0	2.5	2.0	2.6	2.0	
78	5.0	4.5	4.0	3.5	3.0	2.5	1.8	2.6	1.8	
76	4.6	4.0	3.8	3.4	3.0	2.2	1.7	2.4	1.6	
74	4.3	3.8	3.6	3.2	2.8	2.0	1.7	2.2	1.5	
72	4.0	3.6	3.4	3.0	2.6	1.9	1.6	2.0	1.4	
70	3.5	3.4	3.2	2.8	2.4	1.8	1.6	1.8	1.4	
68	3.0	2.9	2.7	2.6	2.3	1.8	1.6	1.6	1.3	
66	2.5	2.4	2.2	2.1	2.0	1.7	1.6	1.3	1.1	
64	2.2	1.9	1.8	1.7	1.6	1.4	1.3			
62	1.8	1.5	1.4	1.3	1.3	1.1	1.0			
60	1.4	1.1	1.0	1.0						
58	1.0									
56										
54										
52										
50										
48										
46										
44										
42										
Reeving	1									
Hook	6.5t									

Table 95 Jib/extension

Unit: t

Boom angle( °)	Main boom + Jib/extension (m)									
	Outriggers completely extended, with 13t counterweight, side and rear operations									
	68.9+9.5	68.9+10.4			68.9+17.5			68.9+9.5+10.4	68.9+9.5+17.5	
0°	0°	15°	30°	0°	15°	30°	0°	0°		
80	5.0	4.5	4.0	3.5	3.0	2.5	2.0	2.6	2.0	
78	5.0	4.5	4.0	3.5	3.0	2.5	1.8	2.6	1.8	
76	4.6	4.0	3.8	3.4	3.0	2.2	1.7	2.4	1.6	
74	4.3	3.8	3.5	3.2	2.8	2.0	1.7	2.2	1.5	
72	3.7	3.4	3.1	3.0	2.6	1.9	1.6	2.0	1.4	
70	3.1	3.8	2.5	2.4	2.3	1.8	1.6	1.5	1.3	
68	2.5	2.2	2.0	1.9	1.8	1.6	1.5	1.1	0.9	
66	2.0	1.7	1.5	1.4	1.4	1.2	1.1			
64	1.5	1.2	1.1	1.0	1.0	0.9	0.8			
62	1.1									
60										
58										
56										
54										
52										
50										
48										
46										
44										
42										
Reeving	1									
Hook	6.5t									

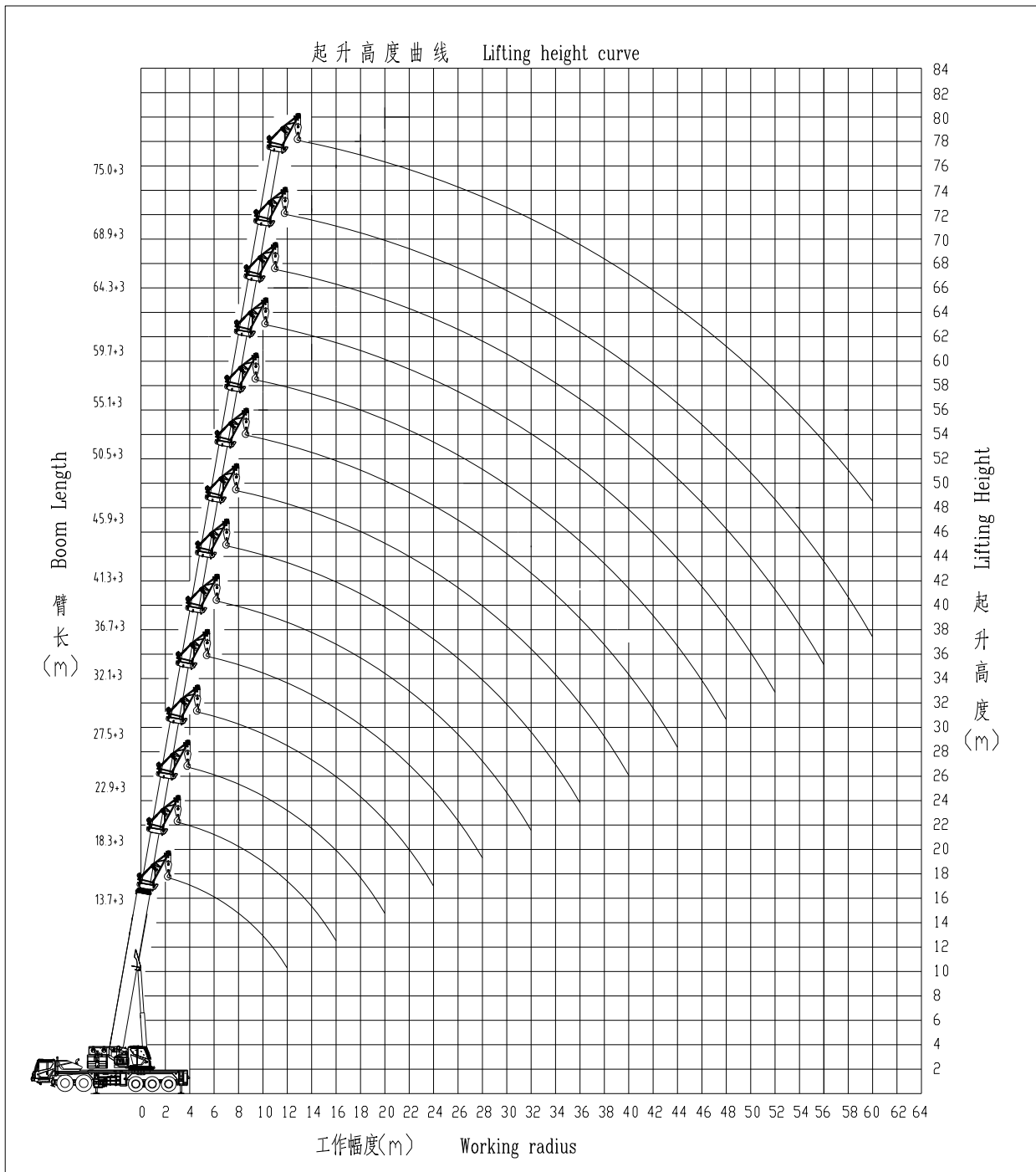
Table 96 Jib/extension

Unit: t

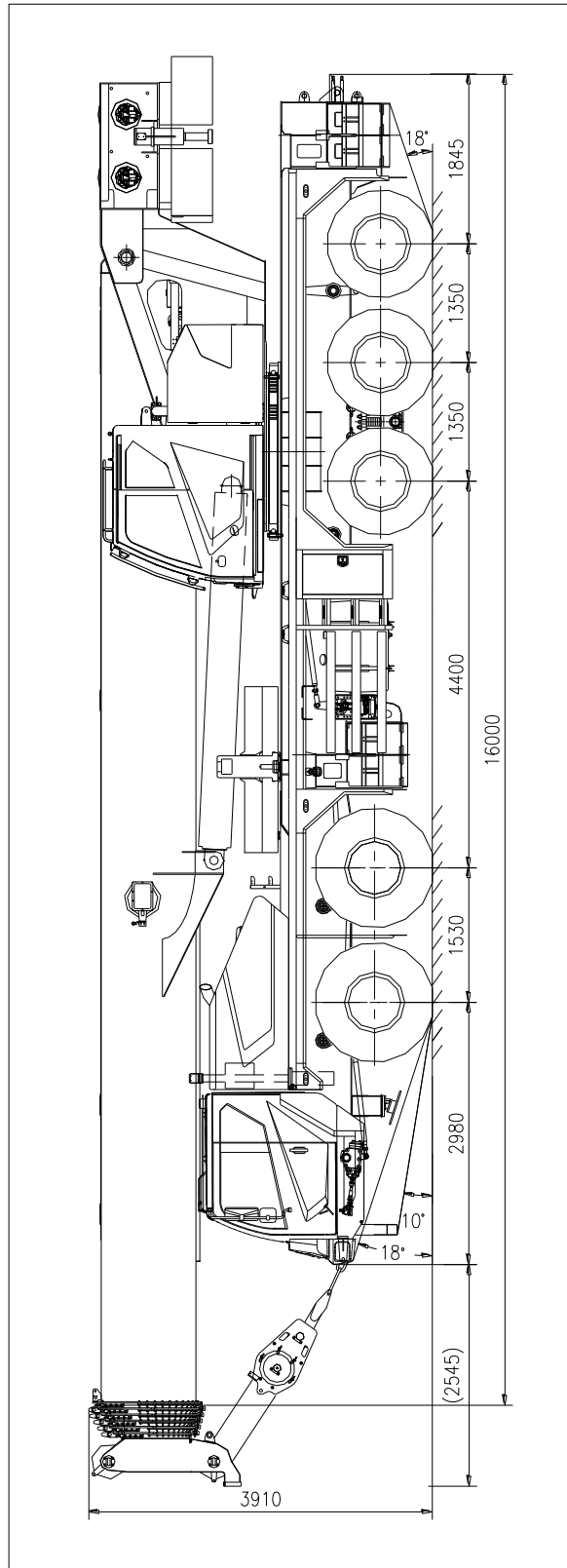
Boom angle( °)	Main boom + Jib/extension (m)								
	Outriggers completely extended, with 2t counterweight, side and rear operations								
	68.9+9.5	68.9+10.4			68.9+17.5			68.9+9.5+10.4	68.9+9.5+17.5
0°	0°	15°	30°	0°	15°	30°	0°	0°	
80	5.0	4.5	4.0	3.5	3.0	2.5	2.0	2.6	2.0
78	4.5	4.0	3.6	3.3	3.0	2.5	1.8	2.3	1.8
76	3.5	3.3	2.9	2.7	2.7	2.2	2.0	1.8	1.5
74	2.7	2.5	2.2	2.0	2.0	1.7	1.5	1.3	1.1
72	2.0	1.7	1.5	1.4	1.4	1.2	1.0		
70	1.3	1.1	1.0	0.9	0.9				
68	0.8								
66									
64									
62									
60									
58									
56									
54									
52									
50									
48									
46									
44									
42									
Reeving	1								
Hook	6.5t								



Main boom + Tip boom:



2.5 Dimensional drawing of running state (Dimension unit: mm)



---

## 3 Components, superstructure

### 3.1 Main boom

- Seven-section box-shaped boom with elliptical section and excellent bending resistance of the section. The main boom barrel is made of low-alloy high-strength steel plate, with strong bearing capacity, light self-weight, large lateral stiffness and small end deflection. The head of the main boom adopts a new type of plate structure, with a larger lap ratio between the booms and matching embedded slider structure. Through a series of optimized design, the self-weight of the boom is greatly reduced, the local stress distribution is more uniform, and it has good guiding and adjustability.
- Single-cylinder latch-type telescopic mechanism with automatic program control, mechanical interlocking and sequential telescoping.

### 3.2 Jib

- Two-section jib, placed on the side of the main boom when not in use, with pin assembly and disassembly. Variable section truss form, the first section is quadrilateral truss boom, the second section is triangular truss boom, which is assembled and disassembled with the first section boom by pin, parallel to the first section boom, and folded at the pin. According to the operational requirements, the Boom length of 10.4m and 17.5m are designed. The first section of the jib is articulated with the head of the sixth section of the main boom, which is connected with the main boom in three tilting angles of 0°, 15° and 30°, and the change of tilting angle is in the form of pivot and slide groove, which is convenient to change.
- Optional 9.5m extension boom, the extension boom can be used with the main boom alone or together with the main boom and the jib. And it can replace the jib to travel with the vehicle.

### 3.3 Tip boom

- Tip boom is 3m in length, pin assembly and disassembly, consisting of a connecting frame and a variable section truss boom, which is connected to the connecting frame at 0° and 30° inclination. When not in use, the truss boom is connected to the connecting frame at 0° and can be placed on the left side of the main boom. When in use, the connecting frame is hinged to the head of the fifth main boom, and the truss boom is connected to the connecting frame with 30° tilt angle, the change of the tilt angle of the truss boom is in the form of pivot and slide slot, which is convenient



---

to change.

- The optional 3mTip boom can be driven with the vehicle.

### **3.4 Rooster sheave**

- When not used for short distance transfer, it is placed on the side of the head of the top section main boom and rotated around the shaft in alignment with the pin type installation. In the case of lifting lighter loads with the main boom, the use of a single pulley at the end of the boom can speed up the lifting speed and improve the operating efficiency.
- The rooster sheave cannot be attached with the vehicle during driving.

### **3.5 Slewing table**

- The main body of the turntable is welded by domestic 960 and HG785 and other high-strength structural steel, with high structural stiffness and strong bearing capacity. The optimized design of three hinge point makes it reasonable in force, unique in structure, humanized machine shed design and beautiful in shape. The main winch mechanism is easy to dismantle and install. The front end of the turntable is equipped with a pin mechanism, which can prevent the turning of the car part during the driving process.

### **3.6 Derricking gear**

- Single-cylinder front derricking mechanism, so that the boom elevation angle can be changed between  $-1^{\circ}$ - $80^{\circ}$ . The derricking cylinder is equipped with a balance valve for smooth lifting and lowering movements.

### **3.7 Slewing gear**

- The structure form of hydraulic motor + planetary reducer, double slewing mechanism, three rows of roller external gear slewing bearing, strong bearing capacity, large output torque, smooth force transmission. With controlled free sliding function, automatic sliding in position during the lifting process, with rotary buffer valve and normally closed brake to ensure smooth and reliable rotary operation.

### **3.8 Hoist gear**

- The structure form of hydraulic motor + planetary reducer, the main and vice winch can be controlled separately and independently, or combined action.
- High-performance rotation-resistant ropes can be used without swivel under load and can be

---

arranged orderly on the drum; the press nipple can be used for rapid max. reeving change.

- Steel wire rope specifications are as follows.

Diameter:  $\phi 20.0\text{mm}$

Strength grade: 1960N/mm<sup>2</sup>

Length: 330m for the main hoist rope, 220m for the auxiliary hoist rope.

Auxiliary hoist gear and auxiliary hoist rope are available for options.

### **3.9 Hook**

- The main Hook has a lifting capacity of 60t, with 6 pulleys, fixed mounting lugs at the end of the wire rope, with a rotatable Hook and an anti-detachment device. The secondary Hook has a lifting capacity of 6.5t, single Reeving, with anti-heavy rotation and anti-disengagement device.
- Optional Hook 70t, 80t, 90t, etc. equipped with 6 pulleys.

### **3.10 Operator's cab**

- 4.0 series spacious panoramic cab with sliding door, outward pushing windshield, front foot pedal, safe guard rail around the roof of the cab
- No instrument console and electric elements are in the front of the cab. And thus, you can have a good riding experience due to spacious room and comfortable feeling.
- Integrated bus key panel is compact, simple and reliable. Night vision background light is clear and makes night work safe.
- Vertical 10.4-inch two-in-one LCD (touch screen) integrates all of functions and has good observation angle. And thus, you can have good operation experience.
- It is with USB plug. And thus, it is chargeable.
- The cab can be tilted for 0-20° to improve operator's field of vision and reduce the operation intensity.
- Cab heater and air conditioning.

---

### 3.11 Outrigger

- "H" type, fixed and movable legs are made of square box structure and low alloy high strength steel plate. Two levels of horizontal movable outriggers, with a horizontal oil cylinder with a level of telescoping with wire rope synchronous telescoping, outriggers span a large distance, good stability of the whole machine. The outrigger plate is installed at the head of vertical cylinder, which can be moved laterally and advanced when driving to prevent the whole vehicle from being over-width, which is easy and convenient to launch during operation and greatly reduces the work intensity of the operator, with locking pin when fully extended and fully retracted. Manual joystick operation, can be operated from the left and right sides of the chassis to each leg at the same time or individually, each vertical cylinder is equipped with two-way hydraulic lock. The operation is smooth and reliable. In addition, the movable outriggers are equipped with half-extension working condition, which is convenient for the crane to operate in a smaller area.
- There is a fifth outrigger under the chassis cab, using the fifth outrigger, lifting operations without regional restrictions.

### 3.12 Hydraulic system

- On board manipulation mode is electro-hydraulic proportional manipulation, computer integrated control. Comfortable operation, good micro-motion, can realize compound action. The hydraulic system is a variable system combined with open and closed type. Small hydraulic loss, high efficiency, high precision, smooth and reliable operation, stepless speed control. In addition, it has counterweight self-loading function, control room pitch angle adjustment function, good starting and braking smoothness and high system reliability.

### 3.13 Electrical system

- It adopts two-wire system and the power supply is 24V D.C. The whole electrical system is composed of chassis electrical system and on-board electrical system. The on-board electric uses data bus technology to reduce the number of cables and connectors, which improves the reliability of the system and facilitates maintenance. The system has engine limit load control function and maximum speed limit function. The computer effectively monitors and displays the relevant operating status parameters at any time for analysis and processing. Chassis electrical mainly includes: combination retractor, air conditioning and warm air, etc. The above devices

---

ensure that the crane has excellent driving performance and comfortable driving environment.

### **3.14 Safety devices**

- The crane is equipped with fully automatic torque limiter, and the display and alarm device are installed in the operation room. When the lifting torque reaches 90% of the rated torque, the warning light will be on and the buzzer will sound a warning sound. When the rated torque is approached, all movements of the crane in the dangerous direction can be stopped automatically. The digital LCD display panel can show the torque ratio, main boom elevation angle, main boom length, working radius, actual lifting load, allowable lifting load and maximum allowable lifting height data as required.
- The crane is also equipped with the following safety devices to fully ensure operational safety.
  - 1) Suspension height limiter
  - 2) Hook anti-decoupling device
  - 3) Wire rope over-release protection device
  - 4) Fault self-diagnosis system
  - 5) Two-way hydraulic lock
  - 6) Balance valve
  - 7) Relief valve
  - 8) Wireless counterweight control device

### **3.15 Air conditioning system, cab heater**

- The cab and maneuvering room are equipped with automobile-specific cooling and heating air conditioning

### **3.16 Counterweight**

- Lower suspended movable counterweight with a total counterweight of 40 tons. Different counterweight combinations can be made according to the working conditions, and the movable counterweight is operated by its own counterweight loading and unloading mechanism located at the end of the turntable.

**4.Components, chassis**

chassis	<b>Engine</b>	Model	WP12.400E62
		Max. rated power kW/r/min	294/1900
		Max. output torque      N.m/r/min	2000/1000-1400
		Manufacturers	Weichai Power Co.
	Model	ZLJ5606JQZV6	
	Type	Category II	
	Feature No.	ZLJ5606JQZV6	
	Limits for exhaust pollutants and smoke	conforming to GB3847-2018, GB17691-2018 (China VI)	
	Manufacturer	Zoomlion Heavy Industry Science and Technology Co., Ltd.	

Crane special chassis specifications are detailed in the chassis technical specifications.

**Appendix I**  
**Main purchased parts and manufacturers**

Ser.	Description	Manufacturer	Remarks
1	Main valve	Changde Zoomlion Heavy Industry Science & Technology Hydraulic Co., Ltd.	
2	Variable plunger	Hi-tech Hydraulic Co., Ltd.	
	Gear pump	Ji'nan Hydraulic Pump Co., Ltd.	
3	Motor winch	Avic Liyuan Hydraulic Co., Ltd.	
		Beijing Huade Hydraulic Industrial Group Co., Ltd.	
		High-tech Fluid Power Co., Ltd.	
4	Reducer, winch	Zhuzhou Gear Limited Liability Company	
5	Slewing motor	Avic Liyuan Hydraulic Co., Ltd.	
		Beijing Huade Hydraulic Industrial Group Co., Ltd.	
		High-tech Fluid Power Co., Ltd.	
6	Slewing reducer	Xuzhou Keyuan Hydraulic Co., Ltd.	
7	Slewing bearing	Yantai Haoyang Machinery Co., Ltd.	
8	Telescoping cylinder	Chengdu Chenggang Hydraulic Equipment	
		Hunan Teli Hydraulic Co., Ltd.	
9	Derricking cylinder	Hunan Teli Hydraulic Co., Ltd.	
10	Horizontal cylinder	Hunan Teli Hydraulic Co., Ltd.	
11	Vertical cylinder	Hunan Teli Hydraulic Co., Ltd.	
12	Telescoping balance	Bucher Hydraulics Remscheid GMBH (Germany)	
13	Derricking balance	Bucher Hydraulics Remscheid GMBH (Germany)	
14	Hoisting balance	Changde Zoomlion Heavy Industry Science &	
15	Hoist rope	Shanghai Junwei Wire Rope And Slings Co., Ltd.	
		Hunan Baoxian Machinery Equipment Trade Co., Ltd.	
16	Hook	Changsha Lanying Industry Co., Ltd.	
17	Load moment limiter	Hunan Zoomlion Intelligent Technology Co., Ltd.	
18	Operator's cab assy.	Yangzhou Shenzhou Automobile Interior Decorations	

**Note: Product configuration may change due to design or other reasons, the above configuration is for reference only.**