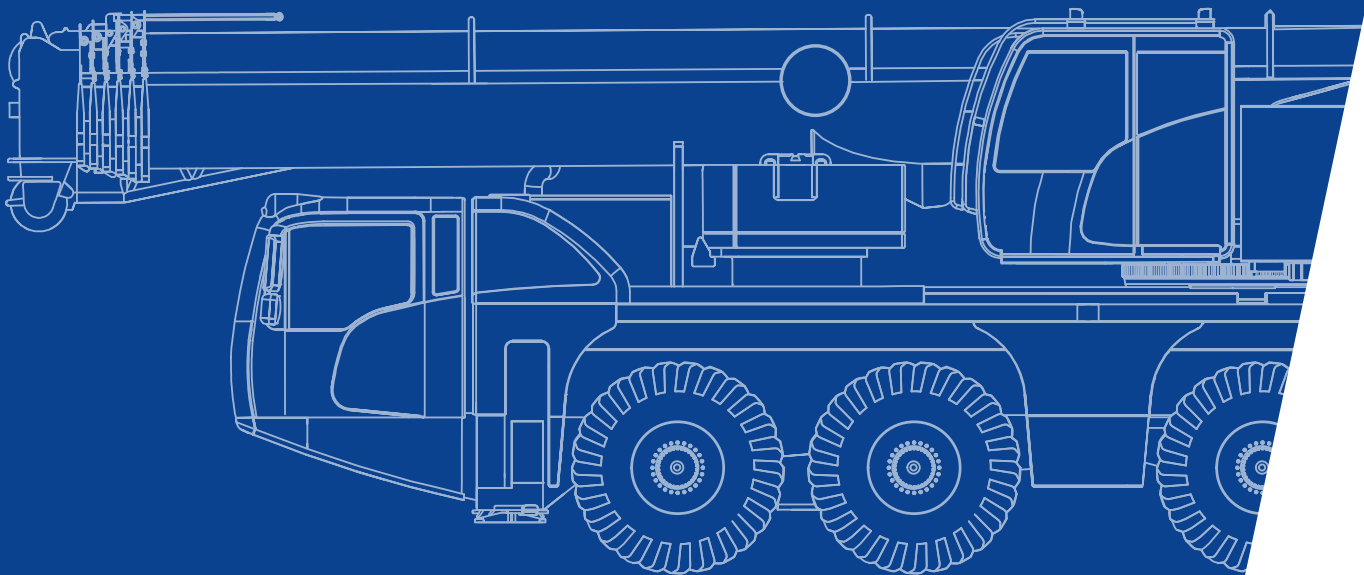


# AC 80-4

## PRELIMINARY



**All Terrain Crane  
88 USt Capacity class**

|                      | Page: |
|----------------------|-------|
| Dimensions .....     | 4     |
| Counterweight .....  | 5     |
| Specifications ..... | 6     |
| Equipment .....      | 7     |

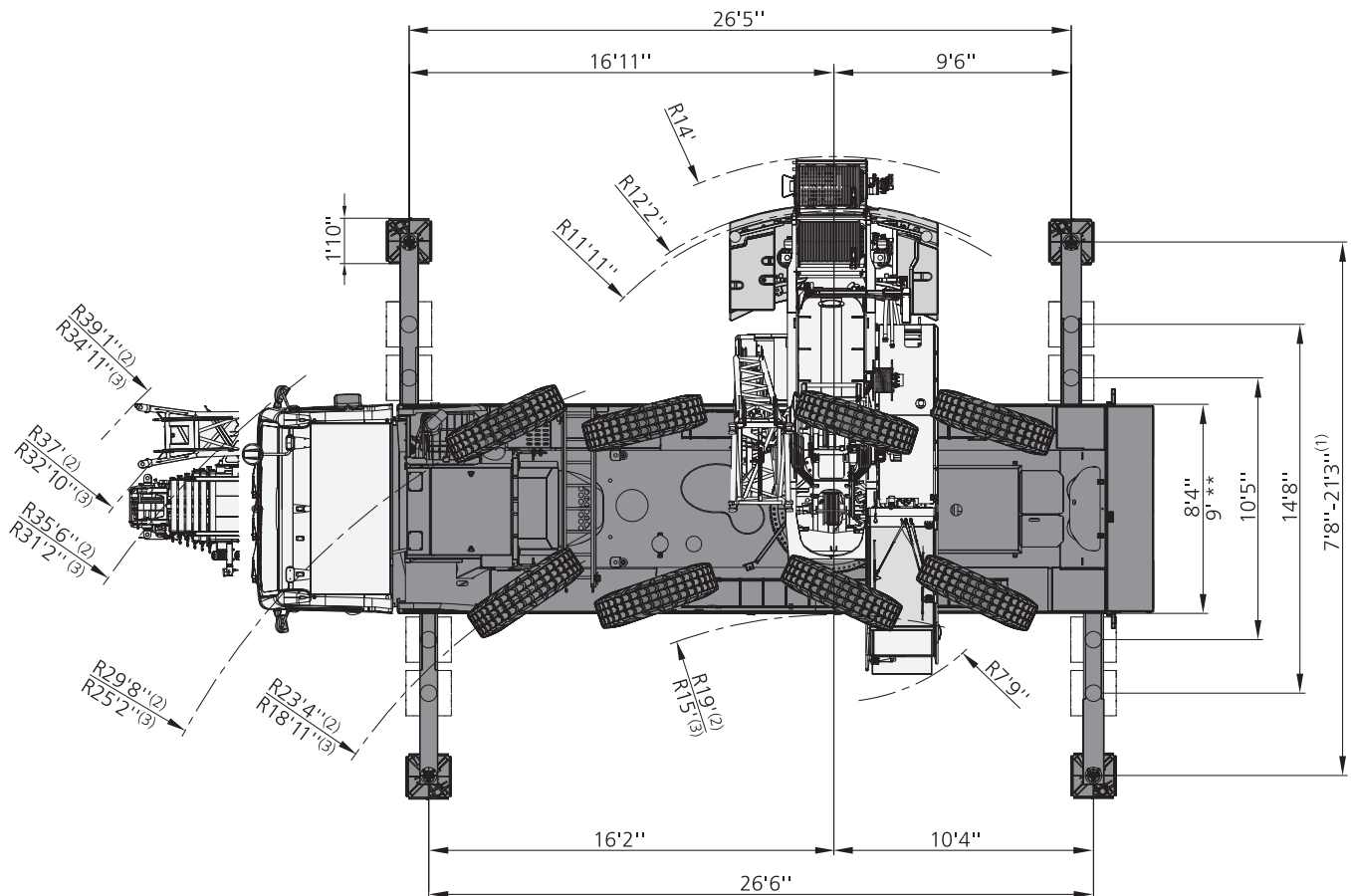
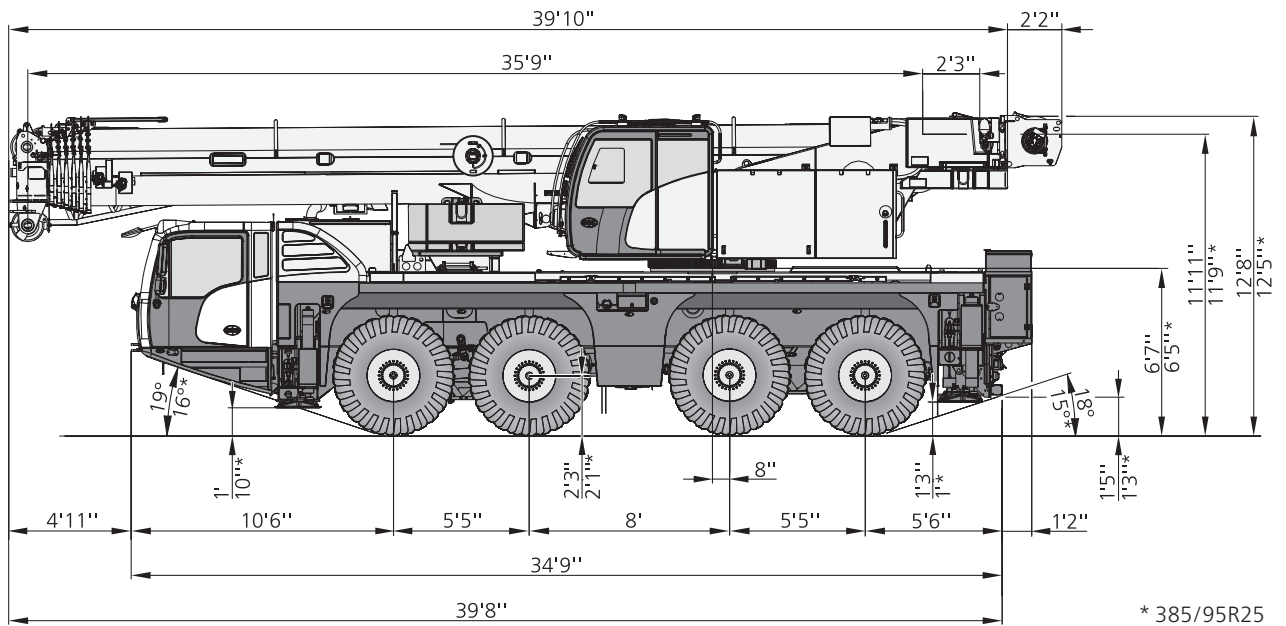
|  |   |
|--|---|
|  <b>HA</b><br>Main boom ..... | 8 |
|--|---|

|  |    |
|--|----|
|  <b>HAV</b><br>Folding swing-away jib ..... | 16 |
|--|----|

|   |    |
|---|----|
|  <b>MS</b><br>Runner ..... | 24 |
|---|----|

|                             |    |
|-----------------------------|----|
| Technical description ..... | 34 |
|-----------------------------|----|

|   |  |   |  |
|---|--|---|--|
|    | Counterweight                            |    | Slewing  |
|    | Lifting capacities on outriggers<br>360° |    | Working speeds                                 |
|    | Radius                                   |    | Boom telescoping                               |
|    | Main boom                                |    | Boom elevation                                 |
|    | Folding swing-away jib                   |    | Max. line pull                                 |
|    | Runner                                   |    | Rope diameter                                  |
|    | Max. axle loads                          |    | Rope length                                    |
|    | Mechanism                                |    | Hook block<br>(capacity-sheaves-rope diameter) |
|  | Tires                                    |  | Number of lines                                |
|  | Hook block                               |  | Possible load of hook block                    |
|  | Hoist                                    |  | Weight of hook block                           |
|  | Dolly                                    |  | Distance head sheave axle – hook ground        |
|  | Travel speed                             |  | Number of sheaves in boom head                 |
|  | Gradeability – road                      |  | Supporting force                               |
|  | Gradeability – off road                  |  | Length of stroke (support cylinders)           |
|   |  |  | Payload incl. rear storage box                 |



(1) only with Flex Base

(2) steering mode 2

(3) steering mode 3\*

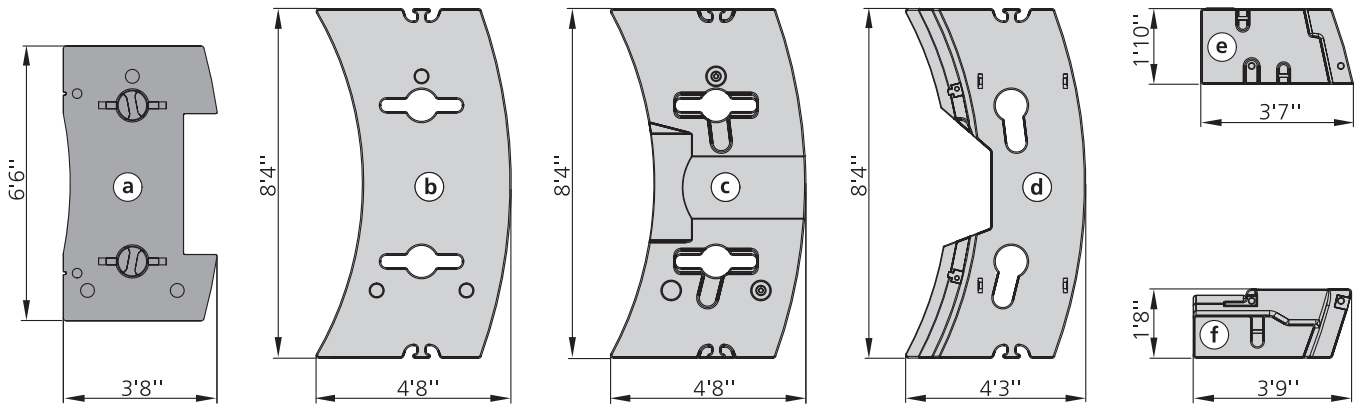
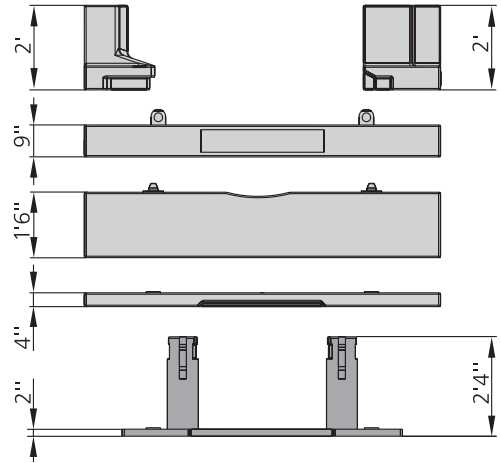
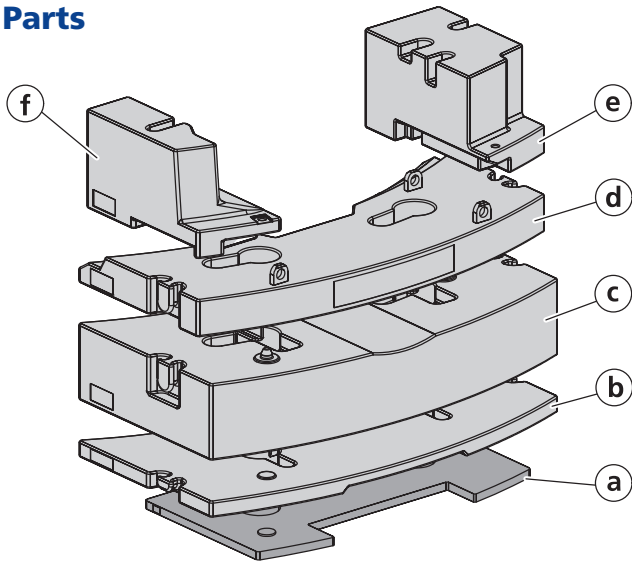
\*\* 525/80R25

see page 6

# Counterweight

AC 80-4

## Parts



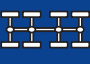





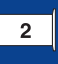








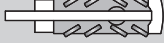

## Configurations

|           | Ⓐ 2,400 lb | Ⓑ 4,000 lb | Ⓒ 18,500 lb | Ⓓ 6,800 lb | Ⓔ 4,400 lb | Ⓕ 2,900 lb |
|-----------|------------|------------|-------------|------------|------------|------------|
| 7,300 lb  |            |            |             |            | X          | X          |
| 9,700 lb  | X          |            |             |            | X          | X          |
| 13,700 lb | X          | X          |             |            | X          | X          |
| 14,100 lb |            |            |             | X          | X          | X          |
| 16,500 lb | X          |            |             | X          | X          | X          |
| 17,600 lb | X          | X          |             | X          | X          |            |
| 20,500 lb | X          | X          |             | X          | X          | X          |
| 32,200 lb | X          | X          | X           |            | X          | X          |
| 39,000 lb | X          | X          | X           | X          | X          | X          |

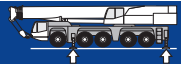

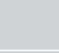

# Specifications

## AC 80-4





|  |             |   |       |   |   |   |  |   |   |   |   |
|---|-------------|---|-------|---|---|---|--|---|---|---|---|
|  | Total       |  | TELMA |  |  |  |  |  |  |  |  |
| <20,000 lb  | on request! |   |       |   |   |   |  |   |   |   | X   |
| <22,050 lb  | <88,200 lb  | 8 x 6 x 8   | X     | 385/95R25   | 196.9 ft  | 8-0-18  | 7,300 lb   | –   | –   | 880 lb  | –   |
| <26,500 lb  | <106,000 lb | 8 x 6 x 8   | X     | 445/95R25   | 196.9 ft  | 50-3-18   | 20,500 lb  | 21.3 ft   | –   | 1,320 lb  | –   |
| <26,500 lb  | <106,000 lb | 8 x 6 x 8   | X     | 445/95R25   | 196.9 ft  | 50-3-18   | 17,600 lb  | 21.3 ft   | X   | 1,320 lb  | –   |
| <36,400 lb  | <128,000 lb | 8 x 6 x 8   | X     | 445/95R25   | 196.9 ft  | 50-3-18   | 39,000 lb  | 21.3 ft   | X   | 1,320 lb  | –   |












|   |    |                                  |   |    |                    |
|---|----|----------------------------------|---|----|--------------------|
|  | 1  | Highway > 28 mph                 |  | 4* | Off-wall           |
|  | 2  | City < 28 mph                    |  | 5* | Crab steer mode    |
|  | 3* | Minimum turning radius < 3.1 mph |  | 6* | All wheel steering |

\*must be activated

|    |           |  |
|---|-----------|---|
|   | 86,000 lb | 110,250 lb  |
|  | 28.7"     | 31.5"   |
| 52.8 mph <sup>1)</sup>  |           |   |

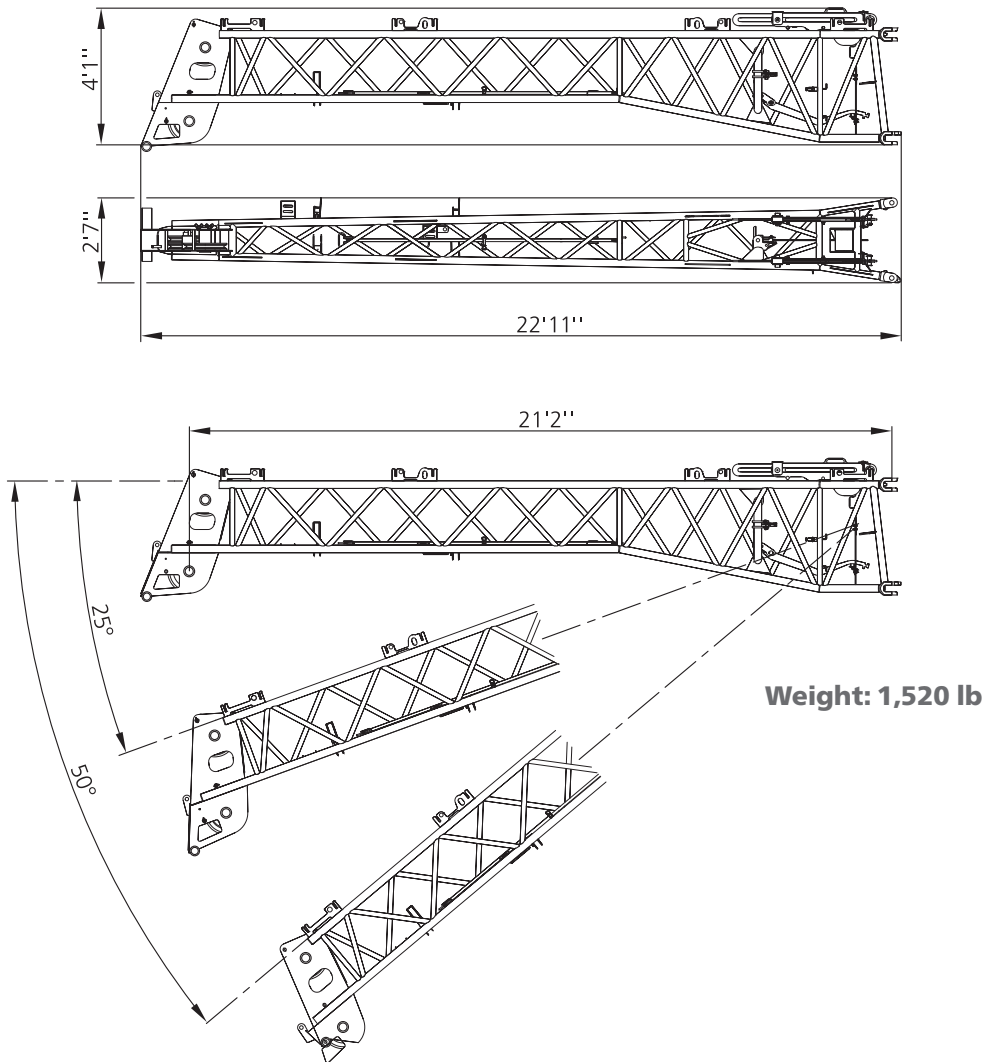
<sup>1)</sup> Depending on tire type, size and country specific legislation

|  |                             |                             |                             |
|---|-----------------------------|-----------------------------|-----------------------------|
|  | 385 / 95 R 25<br>14.00 R 25 | 445 / 95 R 25<br>16.00 R 25 | 525 / 80 R 25<br>20.50 R 25 |
|  | 46 %                        | 42 %                        | 42 %                        |
|  | > 70 %                      | > 60 %                      | > 60 %                      |

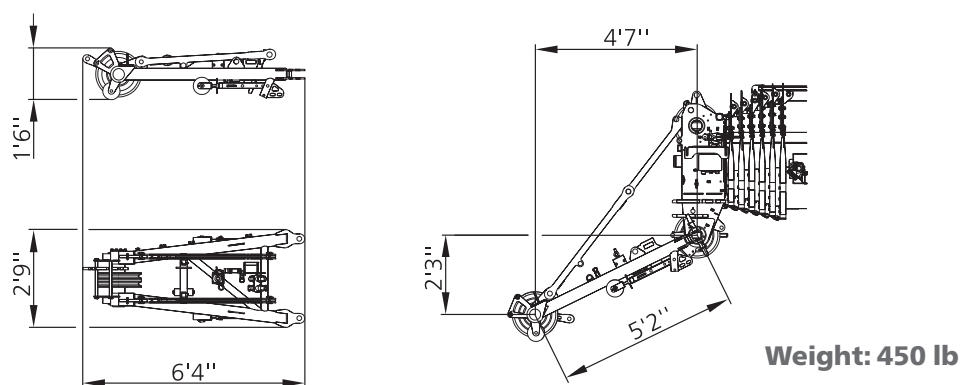
|  |   |   |   |   |
|---|---|---|---|---|
|  |  |  |  |  |
|  | 393.7 ft/min  | 15,040 lbf  | 0.72"   | 787 ft  |
|  | 393.7 ft/min  | 15,040 lbf  | 0.72"   | 787 ft  |
|  | 1,6 min <sup>-1</sup>   |   |   |   |
|  | approx. 510 s<br>(35.8-196.9 ft)  |   |   |   |
|  | approx. 45 s<br>(-3°-82°)   |   |   |   |

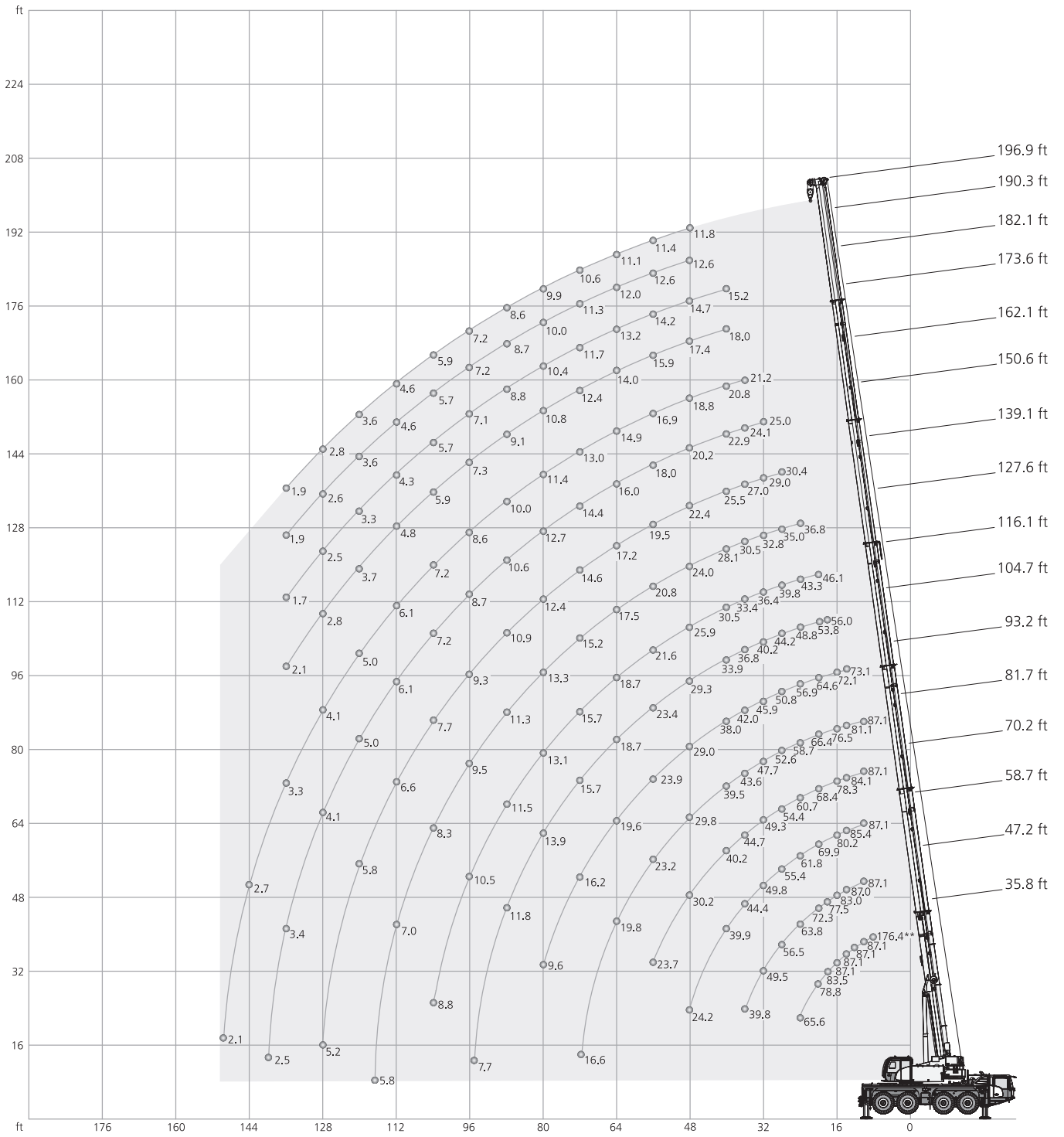
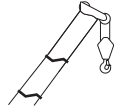
|  |  |  |  |  |  |
|--|--|--|--|--|--|
| 1  | 14,500   | 8-0-18   | 3  | 375 lb   | 3.3 ft   |
| 2  | 29,000   | 20-1-18  | 3  | 662 lb   | 5.9 ft   |
| 3  | 43,600   | 20-1-18  | 3  | 662 lb   | 5.9 ft   |
| 4  | 58,400   | 50-3-18  | 3  | 1,320 lb   | 5.9 ft   |
| 5  | 72,600   | 50-3-18  | 3  | 1,320 lb   | 5.9 ft   |
| 6  | 87,100   | 50-3-18  | 3  | 1,320 lb   | 5.9 ft   |

## HAV – 21.3 ft



## MS





\*\* Capacity class





| 39,000 lb |         | 26.5 ft x 21.3 ft |      |      |      |      |      |      |       |       |       |       |       |       |       | 360°  | ASME B30.5 |       |    |     |
|-----------|---------|-------------------|------|------|------|------|------|------|-------|-------|-------|-------|-------|-------|-------|-------|------------|-------|----|-----|
|           |         | (ft)              |      |      |      |      |      |      |       |       |       |       |       |       |       |       |            |       |    |     |
|           |         | 35.8*             | 35.8 | 47.2 | 58.7 | 70.2 | 81.7 | 93.2 | 104.7 | 116.1 | 127.6 | 139.1 | 150.6 | 162.1 | 173.6 | 182.1 | 190.3      | 196.9 |    |     |
| ft        |         | 1,000 lb          |      |      |      |      |      |      |       |       |       |       |       |       |       |       |            |       | ft |     |
| 8         | 176.4** | -                 | -    | -    | -    | -    | -    | -    | -     | -     | -     | -     | -     | -     | -     | -     | -          | -     | -  | 8   |
| 10        | 87.1    | 87.1              | 87.1 | 87.1 | 87.1 | 87.1 | -    | -    | -     | -     | -     | -     | -     | -     | -     | -     | -          | -     | -  | 10  |
| 12        | 87.1    | 87.1              | 87.1 | 87.1 | 87.1 | 86.0 | -    | -    | -     | -     | -     | -     | -     | -     | -     | -     | -          | -     | -  | 12  |
| 14        | 87.1    | 87.1              | 87.0 | 85.4 | 84.1 | 81.1 | 73.1 | -    | -     | -     | -     | -     | -     | -     | -     | -     | -          | -     | -  | 14  |
| 16        | 87.1    | 85.1              | 83.0 | 80.2 | 78.3 | 76.5 | 72.1 | -    | -     | -     | -     | -     | -     | -     | -     | -     | -          | -     | -  | 16  |
| 18        | 83.5    | 79.5              | 77.5 | 74.9 | 73.3 | 71.3 | 68.7 | 56.0 | -     | -     | -     | -     | -     | -     | -     | -     | -          | -     | -  | 18  |
| 20        | 78.8    | 73.4              | 72.3 | 69.9 | 68.4 | 66.4 | 64.6 | 53.8 | 46.1  | -     | -     | -     | -     | -     | -     | -     | -          | -     | -  | 20  |
| 24        | 65.6    | 61.1              | 63.8 | 61.8 | 60.7 | 58.7 | 56.9 | 48.8 | 43.3  | 36.8  | -     | -     | -     | -     | -     | -     | -          | -     | -  | 24  |
| 28        | -       | -                 | 56.5 | 55.4 | 54.4 | 52.6 | 50.8 | 44.2 | 39.8  | 35.0  | 30.4  | -     | -     | -     | -     | -     | -          | -     | -  | 28  |
| 32        | -       | -                 | 49.5 | 49.8 | 49.3 | 47.7 | 45.9 | 40.2 | 36.4  | 32.8  | 29.0  | 25.0  | -     | -     | -     | -     | -          | -     | -  | 32  |
| 36        | -       | -                 | 39.8 | 44.4 | 44.7 | 43.6 | 42.0 | 36.8 | 33.4  | 30.5  | 27.0  | 24.1  | 21.2  | -     | -     | -     | -          | -     | -  | 36  |
| 40        | -       | -                 | -    | 39.9 | 40.2 | 39.5 | 38.0 | 33.9 | 30.5  | 28.1  | 25.5  | 22.9  | 20.8  | 18.0  | 15.2  | -     | -          | -     | -  | 40  |
| 48        | -       | -                 | -    | 24.2 | 30.2 | 29.8 | 29.0 | 29.3 | 25.9  | 24.0  | 22.4  | 20.2  | 18.8  | 17.4  | 14.7  | 12.9  | 11.8       | -     | -  | 48  |
| 56        | -       | -                 | -    | -    | 23.7 | 23.2 | 23.9 | 23.4 | 21.6  | 20.8  | 19.5  | 18.0  | 16.9  | 15.9  | 14.2  | 12.6  | 11.4       | -     | -  | 56  |
| 64        | -       | -                 | -    | -    | -    | 19.8 | 19.6 | 18.7 | 18.7  | 17.5  | 17.2  | 16.0  | 14.9  | 14.0  | 13.2  | 12.0  | 11.1       | -     | -  | 64  |
| 72        | -       | -                 | -    | -    | -    | 16.6 | 16.2 | 15.7 | 15.7  | 15.2  | 14.6  | 14.4  | 13.0  | 12.4  | 11.7  | 11.3  | 10.6       | -     | -  | 72  |
| 80        | -       | -                 | -    | -    | -    | -    | 9.6  | 13.9 | 13.1  | 13.3  | 12.4  | 12.7  | 11.4  | 10.8  | 10.4  | 10.0  | 9.9        | -     | -  | 80  |
| 88        | -       | -                 | -    | -    | -    | -    | -    | 11.8 | 11.5  | 11.3  | 10.9  | 10.6  | 10.0  | 9.1   | 8.8   | 8.7   | 8.6        | -     | -  | 88  |
| 96        | -       | -                 | -    | -    | -    | -    | -    | 7.7  | 10.1  | 9.5   | 9.3   | 8.7   | 8.6   | 7.3   | 7.1   | 7.2   | 7.2        | -     | -  | 96  |
| 104       | -       | -                 | -    | -    | -    | -    | -    | 6.5  | 8.8   | 8.3   | 7.7   | 7.2   | 7.2   | 5.9   | 5.7   | 5.7   | 5.9        | -     | -  | 104 |
| 112       | -       | -                 | -    | -    | -    | -    | -    | -    | -     | 7.0   | 6.6   | 6.1   | 6.1   | 4.8   | 4.3   | 4.6   | 4.6        | -     | -  | 112 |
| 120       | -       | -                 | -    | -    | -    | -    | -    | -    | -     | -     | 5.8   | 5.8   | 5.0   | 5.0   | 3.7   | 3.3   | 3.6        | 3.6   | -  | 120 |
| 128       | -       | -                 | -    | -    | -    | -    | -    | -    | -     | -     | -     | 5.2   | 4.1   | 4.1   | 2.8   | 2.5   | 2.6        | 2.8   | -  | 128 |
| 136       | -       | -                 | -    | -    | -    | -    | -    | -    | -     | -     | -     | -     | 3.4   | 3.3   | 2.1   | 1.7   | 1.9        | 1.9   | -  | 136 |
| 144       | -       | -                 | -    | -    | -    | -    | -    | -    | -     | -     | -     | -     | 2.5   | 2.7   | -     | -     | -          | -     | -  | 144 |
| 152       | -       | -                 | -    | -    | -    | -    | -    | -    | -     | -     | -     | -     | -     | 2.1   | -     | -     | -          | -     | -  | 152 |
| 1)        | 32.0    | 32.0              | 23.6 | 18.5 | 15.0 | 12.1 | 9.9  | 8.2  | 6.4   | 5.1   | 4.2   | 2.4   | 1.5   | -     | -     | -     | -          | -     | -  | 1)  |

1) Capacities with horizontal boom

\* over rear

\*\* Capacity class

| 20,500 lb   |      | 26.5 ft x 21.3 ft |      |      |      |      |       |       |       |       |       |       |       |       |       | 360°  | ASME B30.5 |   |
|---|------|-------------------|------|------|------|------|-------|-------|-------|-------|-------|-------|-------|-------|-------|-------|------------|---|
|  |      | (ft)              |      |      |      |      |       |       |       |       |       |       |       |       |       |       |            |  |
| ft  | 35.8 | 47.2              | 58.7 | 70.2 | 81.7 | 93.2 | 104.7 | 116.1 | 127.6 | 139.1 | 150.6 | 162.1 | 173.6 | 182.1 | 190.3 | 196.9 | ft         |   |
| 1,000 lb  |      |                   |      |      |      |      |       |       |       |       |       |       |       |       |       |       |            |   |
| 10  | 87.1 | 87.1              | 87.1 | 87.1 | 87.1 | -    | -     | -     | -     | -     | -     | -     | -     | -     | -     | -     | 10         |   |
| 12  | 87.1 | 87.1              | 87.1 | 87.1 | 86.0 | -    | -     | -     | -     | -     | -     | -     | -     | -     | -     | -     | 12         |   |
| 14  | 87.1 | 87.0              | 85.4 | 84.1 | 81.1 | 73.1 | -     | -     | -     | -     | -     | -     | -     | -     | -     | -     | 14         |   |
| 16  | 85.1 | 83.0              | 80.2 | 78.3 | 76.5 | 72.1 | -     | -     | -     | -     | -     | -     | -     | -     | -     | -     | 16         |   |
| 18  | 79.5 | 77.5              | 74.9 | 73.3 | 71.3 | 68.7 | 56.0  | -     | -     | -     | -     | -     | -     | -     | -     | -     | 18         |   |
| 20  | 73.4 | 72.3              | 69.9 | 68.4 | 66.4 | 64.6 | 53.8  | 46.1  | -     | -     | -     | -     | -     | -     | -     | -     | 20         |   |
| 24  | 61.1 | 63.2              | 61.8 | 60.7 | 58.7 | 56.7 | 48.8  | 43.3  | 36.8  | -     | -     | -     | -     | -     | -     | -     | 24         |   |
| 28  | -    | 51.9              | 52.4 | 52.8 | 51.2 | 48.3 | 44.0  | 39.8  | 35.0  | 30.4  | -     | -     | -     | -     | -     | -     | 28         |   |
| 32  | -    | 41.5              | 42.8 | 43.0 | 42.4 | 40.3 | 39.2  | 35.9  | 32.8  | 29.0  | 25.0  | -     | -     | -     | -     | -     | 32         |   |
| 36  | -    | 28.6              | 35.4 | 35.6 | 35.2 | 33.9 | 34.3  | 31.2  | 29.6  | 27.0  | 24.1  | 21.2  | -     | -     | -     | -     | 36         |   |
| 40  | -    | -                 | 29.1 | 29.3 | 29.2 | 30.0 | 29.1  | 27.6  | 26.6  | 25.4  | 22.7  | 20.7  | 18.0  | 15.2  | -     | -     | 40         |   |
| 48  | -    | -                 | 17.2 | 22.3 | 22.6 | 22.3 | 21.6  | 21.9  | 21.2  | 20.1  | 19.8  | 18.2  | 16.9  | 14.7  | 12.9  | 11.8  | 48         |   |
| 56  | -    | -                 | -    | 17.6 | 17.5 | 17.5 | 17.5  | 17.2  | 16.9  | 16.8  | 16.0  | 14.8  | 13.7  | 13.0  | 12.1  | 11.4  | 56         |   |
| 64  | -    | -                 | -    | -    | 14.1 | 14.3 | 14.1  | 13.9  | 13.7  | 13.2  | 12.6  | 12.3  | 10.5  | 9.9   | 9.6   | 9.6   | 64         |   |
| 72  | -    | -                 | -    | -    | 11.7 | 11.5 | 11.5  | 11.3  | 10.9  | 11.1  | 10.0  | 9.5   | 8.0   | 7.3   | 7.1   | 7.1   | 72         |   |
| 80  | -    | -                 | -    | -    | -    | 4.6  | 9.6   | 9.2   | 8.8   | 9.0   | 7.9   | 7.7   | 6.1   | 5.5   | 5.3   | 5.5   | 80         |   |
| 88  | -    | -                 | -    | -    | -    | -    | 7.9   | 7.5   | 7.2   | 7.3   | 6.2   | 6.2   | 4.6   | 4.2   | 4.0   | 4.0   | 88         |   |
| 96  | -    | -                 | -    | -    | -    | -    | 6.8   | 6.1   | 5.7   | 5.9   | 4.8   | 4.8   | 3.4   | 3.0   | 2.8   | 2.8   | 96         |   |
| 104   | -    | -                 | -    | -    | -    | -    | 5.6   | 5.0   | 4.7   | 4.8   | 3.7   | 3.7   | 2.3   | 1.9   | 1.9   | 1.9   | 104        |   |
| 112   | -    | -                 | -    | -    | -    | -    | -     | -     | 3.7   | 3.9   | 2.6   | 2.6   | -     | -     | -     | -     | 112        |   |
| 120   | -    | -                 | -    | -    | -    | -    | -     | -     | 2.9   | 3.1   | -     | -     | -     | -     | -     | -     | 120        |   |
| 128   | -    | -                 | -    | -    | -    | -    | -     | -     | -     | 2.4   | -     | -     | -     | -     | -     | -     | 128        |   |
| 1)  | 32.0 | 23.6              | 18.5 | 14.8 | 11.5 | 8.6  | 6.6   | 4.6   | 3.1   | 2.2   | -     | -     | -     | -     | -     | -     | 1)         |   |

1) Capacities with horizontal boom

| 14,100 lb |      | 26.5 ft x 21.3 ft |      |      |      |      |      |       |       |       |       |       |       |       |       | 360°  | ASME B30.5 |    |
|-----------|------|-------------------|------|------|------|------|------|-------|-------|-------|-------|-------|-------|-------|-------|-------|------------|----|
|           |      | (ft)              |      |      |      |      |      |       |       |       |       |       |       |       |       |       |            |    |
| ft        |      | 35.8              | 47.2 | 58.7 | 70.2 | 81.7 | 93.2 | 104.7 | 116.1 | 127.6 | 139.1 | 150.6 | 162.1 | 173.6 | 182.1 | 190.3 | 196.9      | ft |
| 1,000 lb  |      |                   |      |      |      |      |      |       |       |       |       |       |       |       |       |       |            |    |
| 10        | 87.1 | 87.1              | 87.1 | 87.1 | 87.1 | -    | -    | -     | -     | -     | -     | -     | -     | -     | -     | -     | -          | 10 |
| 12        | 87.1 | 87.1              | 87.1 | 87.1 | 86.0 | -    | -    | -     | -     | -     | -     | -     | -     | -     | -     | -     | -          | 12 |
| 14        | 87.1 | 87.0              | 85.4 | 84.1 | 81.1 | 73.1 | -    | -     | -     | -     | -     | -     | -     | -     | -     | -     | -          | 14 |
| 16        | 85.1 | 83.0              | 80.2 | 78.3 | 76.5 | 72.1 | -    | -     | -     | -     | -     | -     | -     | -     | -     | -     | -          | 16 |
| 18        | 79.5 | 77.5              | 74.9 | 73.3 | 71.3 | 68.7 | 56.0 | -     | -     | -     | -     | -     | -     | -     | -     | -     | -          | 18 |
| 20        | 73.3 | 72.2              | 69.9 | 68.4 | 66.3 | 64.3 | 53.8 | 46.1  | -     | -     | -     | -     | -     | -     | -     | -     | -          | 20 |
| 24        | 58.8 | 60.9              | 60.0 | 59.3 | 56.7 | 52.6 | 48.0 | 43.3  | 36.8  | -     | -     | -     | -     | -     | -     | -     | -          | 24 |
| 28        | -    | 46.2              | 48.1 | 47.9 | 45.6 | 42.5 | 41.2 | 38.0  | 35.0  | 30.4  | -     | -     | -     | -     | -     | -     | -          | 28 |
| 32        | -    | 36.4              | 37.7 | 38.0 | 37.1 | 36.8 | 35.0 | 32.4  | 30.8  | 28.4  | 25.0  | -     | -     | -     | -     | -     | -          | 32 |
| 36        | -    | 24.3              | 31.1 | 31.3 | 30.8 | 31.7 | 30.0 | 28.4  | 26.9  | 25.6  | 23.2  | 20.6  | -     | -     | -     | -     | -          | 36 |
| 40        | -    | -                 | 25.4 | 25.9 | 26.7 | 26.3 | 25.4 | 25.5  | 24.7  | 22.8  | 22.1  | 19.4  | 17.8  | 15.2  | -     | -     | -          | 40 |
| 48        | -    | -                 | 17.2 | 19.8 | 19.6 | 19.9 | 19.8 | 19.6  | 19.1  | 18.3  | 17.4  | 16.0  | 14.7  | 13.9  | 12.5  | 11.8  | -          | 48 |
| 56        | -    | -                 | -    | 15.1 | 15.5 | 15.5 | 15.5 | 15.1  | 14.9  | 14.3  | 13.5  | 12.8  | 11.0  | 10.4  | 10.0  | 10.0  | 56         |    |
| 64        | -    | -                 | -    | -    | 12.3 | 12.3 | 12.3 | 11.8  | 11.6  | 11.8  | 10.5  | 9.8   | 8.2   | 7.5   | 7.3   | 7.3   | 64         |    |
| 72        | -    | -                 | -    | -    | 10.2 | 9.8  | 10.0 | 9.3   | 9.1   | 9.3   | 8.0   | 7.5   | 6.0   | 5.3   | 5.1   | 5.1   | 72         |    |
| 80        | -    | -                 | -    | -    | -    | 3.1  | 8.1  | 7.5   | 7.2   | 7.3   | 6.1   | 5.9   | 4.4   | 3.8   | 3.5   | 3.5   | 80         |    |
| 88        | -    | -                 | -    | -    | -    | -    | 6.6  | 5.9   | 5.7   | 5.8   | 4.6   | 4.5   | 2.9   | 2.5   | 2.3   | 2.3   | 88         |    |
| 96        | -    | -                 | -    | -    | -    | -    | 5.4  | 4.7   | 4.5   | 4.5   | 3.4   | 3.4   | 1.9   | -     | -     | -     | 96         |    |
| 104       | -    | -                 | -    | -    | -    | -    | 4.5  | 3.8   | 3.4   | 3.6   | 2.3   | 2.3   | -     | -     | -     | -     | 104        |    |
| 112       | -    | -                 | -    | -    | -    | -    | -    | -     | 2.6   | 2.6   | -     | -     | -     | -     | -     | -     | 112        |    |
| 120       | -    | -                 | -    | -    | -    | -    | -    | -     | -     | 2.0   | -     | -     | -     | -     | -     | -     | 120        |    |
| 1)        | 32.0 | 23.6              | 17.6 | 12.8 | 9.7  | 7.1  | 5.3  | 3.5   | 2.0   | -     | -     | -     | -     | -     | -     | -     | 1)         |    |

| 7,300 lb |      | 26.5 ft x 21.3 ft |      |      |      |      |      |       |       |       |       |       |       |       |       | 360°  | ASME B30.5 |     |
|----------|------|-------------------|------|------|------|------|------|-------|-------|-------|-------|-------|-------|-------|-------|-------|------------|-----|
|          |      | (ft)              |      |      |      |      |      |       |       |       |       |       |       |       |       |       |            |     |
| ft       |      | 35.8              | 47.2 | 58.7 | 70.2 | 81.7 | 93.2 | 104.7 | 116.1 | 127.6 | 139.1 | 150.6 | 162.1 | 173.6 | 182.1 | 190.3 | 196.9      | ft  |
| 1,000 lb |      |                   |      |      |      |      |      |       |       |       |       |       |       |       |       |       |            |     |
| 10       | 87.1 | 87.1              | 87.1 | 87.1 | 87.1 | -    | -    | -     | -     | -     | -     | -     | -     | -     | -     | -     | -          | 10  |
| 12       | 87.1 | 87.1              | 87.1 | 87.1 | 86.0 | -    | -    | -     | -     | -     | -     | -     | -     | -     | -     | -     | -          | 12  |
| 14       | 87.1 | 87.0              | 85.4 | 84.1 | 81.1 | 73.1 | -    | -     | -     | -     | -     | -     | -     | -     | -     | -     | -          | 14  |
| 16       | 85.1 | 83.0              | 80.2 | 78.3 | 76.5 | 72.1 | -    | -     | -     | -     | -     | -     | -     | -     | -     | -     | -          | 16  |
| 18       | 78.7 | 77.5              | 74.9 | 73.3 | 70.1 | 65.8 | 56.0 | -     | -     | -     | -     | -     | -     | -     | -     | -     | -          | 18  |
| 20       | 70.8 | 71.5              | 69.2 | 67.7 | 63.4 | 58.2 | 53.3 | 45.9  | -     | -     | -     | -     | -     | -     | -     | -     | -          | 20  |
| 24       | 50.1 | 53.4              | 54.6 | 52.2 | 49.0 | 45.3 | 43.6 | 40.1  | 36.0  | -     | -     | -     | -     | -     | -     | -     | -          | 24  |
| 28       | -    | 39.9              | 41.4 | 41.1 | 39.2 | 38.6 | 36.0 | 33.8  | 31.7  | 29.1  | -     | -     | -     | -     | -     | -     | -          | 28  |
| 32       | -    | 30.9              | 32.1 | 32.3 | 33.0 | 32.1 | 30.1 | 29.3  | 28.0  | 25.8  | 23.9  | -     | -     | -     | -     | -     | -          | 32  |
| 36       | -    | 19.5              | 26.2 | 27.0 | 27.7 | 26.9 | 26.1 | 25.1  | 24.4  | 23.0  | 21.6  | 18.6  | -     | -     | -     | -     | -          | 36  |
| 40       | -    | -                 | 22.0 | 22.6 | 22.6 | 23.1 | 22.8 | 22.2  | 21.4  | 19.9  | 18.8  | 17.1  | 15.7  | 14.9  | -     | -     | -          | 40  |
| 48       | -    | -                 | 16.3 | 16.5 | 17.0 | 16.9 | 16.9 | 16.6  | 16.1  | 15.8  | 14.0  | 13.4  | 11.4  | 10.7  | 10.5  | 10.3  | -          | 48  |
| 56       | -    | -                 | -    | 12.6 | 13.1 | 12.9 | 12.9 | 12.5  | 12.3  | 12.3  | 10.6  | 9.9   | 8.2   | 7.4   | 7.1   | 7.0   | -          | 56  |
| 64       | -    | -                 | -    | -    | 10.4 | 10.0 | 10.2 | 9.6   | 9.4   | 9.4   | 7.8   | 7.3   | 5.6   | 4.9   | 4.6   | 4.6   | -          | 64  |
| 72       | -    | -                 | -    | -    | 8.2  | 7.8  | 8.0  | 7.3   | 7.1   | 7.3   | 5.8   | 5.3   | 3.8   | 3.1   | 2.9   | 2.9   | -          | 72  |
| 80       | -    | -                 | -    | -    | -    | -    | 6.4  | 5.7   | 5.3   | 5.5   | 4.4   | 3.8   | -     | -     | -     | -     | -          | 80  |
| 88       | -    | -                 | -    | -    | -    | -    | 5.1  | 4.4   | 4.0   | 4.3   | 2.9   | 2.7   | -     | -     | -     | -     | -          | 88  |
| 96       | -    | -                 | -    | -    | -    | -    | 4.0  | 3.3   | 3.0   | 3.2   | 2.0   | -     | -     | -     | -     | -     | -          | 96  |
| 104      | -    | -                 | -    | -    | -    | -    | 3.0  | 2.5   | 2.1   | 2.3   | -     | -     | -     | -     | -     | -     | -          | 104 |
| 1)       | 32.0 | 21.4              | 14.6 | 10.4 | 7.7  | 5.3  | 3.7  | 2.2   | -     | -     | -     | -     | -     | -     | -     | -     | -          | 1)  |

1) Capacities with horizontal boom

| ☰ 39,000 lb |      | ┌ 26.5 ft x 14.7 ft |      |      |      |      |       |       |       |       |       |       |       |       |       | 360°  | ASME B30.5 |
|-------------|------|---------------------|------|------|------|------|-------|-------|-------|-------|-------|-------|-------|-------|-------|-------|------------|
| 📐           |      | (ft)                |      |      |      |      |       |       |       |       |       |       |       |       |       | 📐     |            |
| ft          | 35.8 | 47.2                | 58.7 | 70.2 | 81.7 | 93.2 | 104.7 | 116.1 | 127.6 | 139.1 | 150.6 | 162.1 | 173.6 | 182.1 | 190.3 | 196.9 | ft         |
| 1,000 lb    |      |                     |      |      |      |      |       |       |       |       |       |       |       |       |       |       |            |
| 10          | 87.1 | 87.1                | 87.1 | 87.1 | 87.1 | -    | -     | -     | -     | -     | -     | -     | -     | -     | -     | -     | 10         |
| 12          | 87.1 | 87.1                | 87.1 | 87.1 | 86.0 | -    | -     | -     | -     | -     | -     | -     | -     | -     | -     | -     | 12         |
| 14          | 85.7 | 86.4                | 85.4 | 84.1 | 80.7 | 73.1 | -     | -     | -     | -     | -     | -     | -     | -     | -     | -     | 14         |
| 16          | 79.3 | 80.6                | 80.2 | 78.3 | 74.0 | 68.1 | -     | -     | -     | -     | -     | -     | -     | -     | -     | -     | 16         |
| 18          | 69.6 | 71.4                | 71.7 | 70.2 | 65.6 | 60.8 | 54.5  | -     | -     | -     | -     | -     | -     | -     | -     | -     | 18         |
| 20          | 59.7 | 62.1                | 64.0 | 61.5 | 57.7 | 53.8 | 50.4  | 45.8  | -     | -     | -     | -     | -     | -     | -     | -     | 20         |
| 24          | 43.6 | 46.3                | 47.4 | 47.7 | 46.5 | 44.0 | 42.9  | 39.2  | 36.0  | -     | -     | -     | -     | -     | -     | -     | 24         |
| 28          | -    | 36.0                | 37.1 | 37.2 | 36.9 | 37.7 | 36.1  | 33.8  | 32.0  | 29.3  | -     | -     | -     | -     | -     | -     | 28         |
| 32          | -    | 29.0                | 30.0 | 30.5 | 31.0 | 30.8 | 30.0  | 30.0  | 28.8  | 26.8  | 23.9  | -     | -     | -     | -     | -     | 32         |
| 36          | -    | 20.6                | 25.4 | 26.3 | 26.3 | 26.0 | 25.9  | 25.7  | 25.3  | 23.9  | 22.4  | 19.9  | -     | -     | -     | -     | 36         |
| 40          | -    | -                   | 21.8 | 22.2 | 22.2 | 22.5 | 22.2  | 22.2  | 22.0  | 21.6  | 20.6  | 18.8  | 17.8  | 15.1  | -     | -     | 40         |
| 48          | -    | -                   | 16.7 | 16.8 | 17.3 | 17.2 | 17.3  | 16.8  | 16.6  | 16.2  | 15.9  | 15.6  | 13.9  | 13.5  | 12.5  | 11.8  | 48         |
| 56          | -    | -                   | -    | 13.3 | 13.6 | 13.5 | 13.6  | 13.3  | 13.0  | 13.1  | 12.4  | 12.4  | 11.1  | 10.5  | 10.4  | 10.4  | 56         |
| 64          | -    | -                   | -    | -    | 11.2 | 10.9 | 11.0  | 10.6  | 10.4  | 10.6  | 9.7   | 9.7   | 8.6   | 8.3   | 8.2   | 8.3   | 64         |
| 72          | -    | -                   | -    | -    | 9.3  | 8.9  | 9.1   | 8.6   | 8.4   | 8.6   | 7.8   | 7.8   | 6.9   | 6.4   | 6.2   | 6.2   | 72         |
| 80          | -    | -                   | -    | -    | -    | 4.2  | 7.7   | 7.1   | 6.9   | 7.1   | 6.2   | 6.2   | 5.3   | 4.9   | 4.9   | 4.9   | 80         |
| 88          | -    | -                   | -    | -    | -    | -    | 6.5   | 6.0   | 5.8   | 5.8   | 5.1   | 5.1   | 4.0   | 3.6   | 3.6   | 3.6   | 88         |
| 96          | -    | -                   | -    | -    | -    | -    | 5.4   | 5.1   | 4.7   | 4.9   | 4.1   | 4.1   | 3.0   | 2.7   | 2.5   | 2.5   | 96         |
| 104         | -    | -                   | -    | -    | -    | -    | 4.7   | 4.3   | 4.0   | 4.1   | 3.2   | 3.2   | 2.1   | 1.7   | 1.6   | 1.6   | 104        |
| 112         | -    | -                   | -    | -    | -    | -    | -     | -     | 3.3   | 3.3   | 2.4   | 2.4   | -     | -     | -     | -     | 112        |
| 120         | -    | -                   | -    | -    | -    | -    | -     | -     | 2.5   | 2.7   | -     | -     | -     | -     | -     | -     | 120        |
| 128         | -    | -                   | -    | -    | -    | -    | -     | -     | -     | 2.2   | -     | -     | -     | -     | -     | -     | 128        |
| 1)          | 32.0 | 21.4                | 15.2 | 11.2 | 8.8  | 6.8  | 5.3   | 4.0   | 2.9   | 2.0   | -     | -     | -     | -     | -     | -     | 1)         |



| ☰ 20,500 lb |      | ┌ 26.5 ft x 14.7 ft |      |      |      |      |       |       |       |       |       |       |       |       |       | 360°  | ASME B30.5 |
|-------------|------|---------------------|------|------|------|------|-------|-------|-------|-------|-------|-------|-------|-------|-------|-------|------------|
| 📐           |      | (ft)                |      |      |      |      |       |       |       |       |       |       |       |       |       | 📐     |            |
| ft          | 35.8 | 47.2                | 58.7 | 70.2 | 81.7 | 93.2 | 104.7 | 116.1 | 127.6 | 139.1 | 150.6 | 162.1 | 173.6 | 182.1 | 190.3 | 196.9 | ft         |
| 1,000 lb    |      |                     |      |      |      |      |       |       |       |       |       |       |       |       |       |       |            |
| 10          | 87.1 | 87.1                | 87.1 | 87.1 | 86.0 | -    | -     | -     | -     | -     | -     | -     | -     | -     | -     | -     | 10         |
| 12          | 87.1 | 87.1                | 84.7 | 83.2 | 75.7 | -    | -     | -     | -     | -     | -     | -     | -     | -     | -     | -     | 12         |
| 14          | 82.0 | 80.1                | 74.5 | 69.6 | 63.8 | 58.3 | -     | -     | -     | -     | -     | -     | -     | -     | -     | -     | 14         |
| 16          | 65.8 | 66.4                | 63.5 | 59.2 | 54.6 | 51.5 | 47.6  | -     | -     | -     | -     | -     | -     | -     | -     | -     | 16         |
| 18          | 52.9 | 56.1                | 54.9 | 51.7 | 48.0 | 46.4 | 42.7  | -     | -     | -     | -     | -     | -     | -     | -     | -     | 18         |
| 20          | 42.4 | 45.7                | 47.0 | 45.0 | 43.8 | 41.0 | 38.4  | 36.5  | -     | -     | -     | -     | -     | -     | -     | -     | 20         |
| 24          | 30.5 | 33.2                | 34.4 | 35.6 | 35.1 | 33.4 | 32.2  | 30.8  | 29.1  | -     | -     | -     | -     | -     | -     | -     | 24         |
| 28          | -    | 25.5                | 27.2 | 27.6 | 27.6 | 27.9 | 27.3  | 25.9  | 24.5  | 22.9  | -     | -     | -     | -     | -     | -     | 28         |
| 32          | -    | 20.3                | 22.0 | 22.3 | 22.7 | 22.6 | 22.6  | 22.1  | 20.9  | 20.0  | 18.2  | -     | -     | -     | -     | -     | 32         |
| 36          | -    | 12.9                | 18.5 | 18.7 | 19.3 | 19.0 | 19.0  | 18.7  | 18.0  | 17.6  | 15.8  | 15.0  | -     | -     | -     | -     | 36         |
| 40          | -    | -                   | 15.3 | 15.5 | 16.2 | 16.0 | 16.2  | 15.5  | 15.3  | 15.1  | 13.6  | 13.0  | 11.4  | 10.8  | -     | -     | 40         |
| 48          | -    | -                   | 11.4 | 11.6 | 12.2 | 11.8 | 12.0  | 11.5  | 11.3  | 11.5  | 10.3  | 9.9   | 8.4   | 7.8   | 7.7   | 7.7   | 48         |
| 56          | -    | -                   | -    | 8.9  | 9.4  | 9.1  | 9.3   | 8.8   | 8.5   | 8.8   | 7.9   | 7.4   | 6.1   | 5.5   | 5.2   | 5.2   | 56         |
| 64          | -    | -                   | -    | -    | 7.4  | 7.2  | 7.2   | 6.8   | 6.6   | 6.8   | 5.9   | 5.6   | 4.1   | 3.6   | 3.4   | 3.4   | 64         |
| 72          | -    | -                   | -    | -    | 6.0  | 5.5  | 5.8   | 5.3   | 5.1   | 5.3   | 4.4   | 4.0   | 2.7   | 2.0   | 2.0   | 2.0   | 72         |
| 80          | -    | -                   | -    | -    | -    | -    | 4.7   | 4.2   | 4.0   | 4.1   | 3.1   | 2.9   | -     | -     | -     | -     | 80         |
| 88          | -    | -                   | -    | -    | -    | -    | 3.7   | 3.3   | 3.0   | 3.2   | 2.2   | -     | -     | -     | -     | -     | 88         |
| 96          | -    | -                   | -    | -    | -    | -    | 3.0   | 2.4   | 2.2   | 2.2   | -     | -     | -     | -     | -     | -     | 96         |
| 104         | -    | -                   | -    | -    | -    | -    | 2.3   | 1.8   | -     | -     | -     | -     | -     | -     | -     | -     | 104        |
| 1)          | 23.8 | 14.6                | 10.1 | 7.3  | 5.5  | 4.0  | 2.9   | 1.5   | -     | -     | -     | -     | -     | -     | -     | -     | 1)         |

1) Capacities with horizontal boom

| 14,100 lb |      | 26.5 ft x 14.7 ft |      |      |      |      |      |       |       |       |       |       |       |       |       | 360°  | ASME B30.5 |    |  |
|-----------|------|-------------------|------|------|------|------|------|-------|-------|-------|-------|-------|-------|-------|-------|-------|------------|----|--|
|           |      | (ft)              |      |      |      |      |      |       |       |       |       |       |       |       |       |       |            |    |  |
|           |      | 35.8              | 47.2 | 58.7 | 70.2 | 81.7 | 93.2 | 104.7 | 116.1 | 127.6 | 139.1 | 150.6 | 162.1 | 173.6 | 182.1 | 190.3 | 196.9      |    |  |
| ft        |      | 1,000 lb          |      |      |      |      |      |       |       |       |       |       |       |       |       | ft    |            |    |  |
| 10        | 87.1 | 87.1              | 86.7 | 86.2 | 81.4 | -    | -    | -     | -     | -     | -     | -     | -     | -     | -     | -     | -          | 10 |  |
| 12        | 85.7 | 83.8              | 79.9 | 73.8 | 66.8 | -    | -    | -     | -     | -     | -     | -     | -     | -     | -     | -     | -          | 12 |  |
| 14        | 74.7 | 70.4              | 66.5 | 61.2 | 56.0 | 52.2 | -    | -     | -     | -     | -     | -     | -     | -     | -     | -     | -          | 14 |  |
| 16        | 57.4 | 59.1              | 55.9 | 51.9 | 49.6 | 45.9 | 42.2 | -     | -     | -     | -     | -     | -     | -     | -     | -     | -          | 16 |  |
| 18        | 46.0 | 49.1              | 48.2 | 45.3 | 43.8 | 40.7 | 38.1 | -     | -     | -     | -     | -     | -     | -     | -     | -     | -          | 18 |  |
| 20        | 36.6 | 39.8              | 41.1 | 40.7 | 38.4 | 36.9 | 34.9 | 32.6  | -     | -     | -     | -     | -     | -     | -     | -     | -          | 20 |  |
| 24        | 26.1 | 28.9              | 30.5 | 31.2 | 30.9 | 29.8 | 28.4 | 26.7  | 25.3  | -     | -     | -     | -     | -     | -     | -     | -          | 24 |  |
| 28        | -    | 22.0              | 23.9 | 24.1 | 24.5 | 24.3 | 23.7 | 22.4  | 21.1  | 20.3  | -     | -     | -     | -     | -     | -     | -          | 28 |  |
| 32        | -    | 17.3              | 19.1 | 19.3 | 20.0 | 19.6 | 19.6 | 18.9  | 17.8  | 17.3  | 15.5  | -     | -     | -     | -     | -     | -          | 32 |  |
| 36        | -    | 10.3              | 15.9 | 16.2 | 16.8 | 16.4 | 16.6 | 16.0  | 15.4  | 14.9  | 13.3  | 12.5  | -     | -     | -     | -     | -          | 36 |  |
| 40        | -    | -                 | 13.2 | 13.4 | 14.0 | 13.6 | 13.8 | 13.4  | 13.1  | 12.8  | 11.2  | 10.6  | 9.0   | 8.4   | -     | -     | -          | 40 |  |
| 48        | -    | -                 | 9.7  | 9.7  | 10.3 | 10.0 | 10.3 | 9.7   | 9.4   | 9.7   | 8.4   | 8.0   | 6.3   | 5.8   | 5.5   | 5.3   | -          | 48 |  |
| 56        | -    | -                 | -    | 7.3  | 7.9  | 7.6  | 7.8  | 7.2   | 7.0   | 7.2   | 6.2   | 5.7   | 4.1   | 3.6   | 3.4   | 3.3   | -          | 56 |  |
| 64        | -    | -                 | -    | -    | 6.1  | 5.8  | 6.1  | 5.6   | 5.3   | 5.4   | 4.3   | 3.9   | 2.5   | 1.9   | -     | -     | -          | 64 |  |
| 72        | -    | -                 | -    | -    | 4.9  | 4.4  | 4.7  | 4.2   | 4.0   | 4.0   | 2.9   | 2.5   | -     | -     | -     | -     | -          | 72 |  |
| 80        | -    | -                 | -    | -    | -    | -    | 3.6  | 3.2   | 2.9   | 3.1   | -     | -     | -     | -     | -     | -     | -          | 80 |  |
| 88        | -    | -                 | -    | -    | -    | -    | 2.8  | 2.3   | 1.9   | 2.2   | -     | -     | -     | -     | -     | -     | -          | 88 |  |
| 96        | -    | -                 | -    | -    | -    | -    | 2.0  | -     | -     | -     | -     | -     | -     | -     | -     | -     | -          | 96 |  |
| 1)        | 20.3 | 12.1              | 8.6  | 6.0  | 4.4  | 3.1  | 2.0  | -     | -     | -     | -     | -     | -     | -     | -     | -     | -          | 1) |  |

| 7,300 lb |      | 26.5 ft x 14.7 ft |      |      |      |      |      |       |       |       |       |       |       |       |       | 360°  | ASME B30.5 |    |  |
|----------|------|-------------------|------|------|------|------|------|-------|-------|-------|-------|-------|-------|-------|-------|-------|------------|----|--|
|          |      | (ft)              |      |      |      |      |      |       |       |       |       |       |       |       |       |       |            |    |  |
|          |      | 35.8              | 47.2 | 58.7 | 70.2 | 81.7 | 93.2 | 104.7 | 116.1 | 127.6 | 139.1 | 150.6 | 162.1 | 173.6 | 182.1 | 190.3 | 196.9      |    |  |
| ft       |      | 1,000 lb          |      |      |      |      |      |       |       |       |       |       |       |       |       | ft    |            |    |  |
| 10       | 87.1 | 86.3              | 85.8 | 78.7 | 70.1 | -    | -    | -     | -     | -     | -     | -     | -     | -     | -     | -     | -          | 10 |  |
| 12       | 81.7 | 74.9              | 69.7 | 63.2 | 57.9 | -    | -    | -     | -     | -     | -     | -     | -     | -     | -     | -     | -          | 12 |  |
| 14       | 63.0 | 61.0              | 56.9 | 52.4 | 49.7 | 45.7 | -    | -     | -     | -     | -     | -     | -     | -     | -     | -     | -          | 14 |  |
| 16       | 48.1 | 50.2              | 47.5 | 45.6 | 42.5 | 40.2 | 35.6 | -     | -     | -     | -     | -     | -     | -     | -     | -     | -          | 16 |  |
| 18       | 38.3 | 41.5              | 40.9 | 39.8 | 37.3 | 35.5 | 33.4 | -     | -     | -     | -     | -     | -     | -     | -     | -     | -          | 18 |  |
| 20       | 30.3 | 33.6              | 35.5 | 34.6 | 33.2 | 31.2 | 29.5 | 27.6  | -     | -     | -     | -     | -     | -     | -     | -     | -          | 20 |  |
| 24       | 21.3 | 24.1              | 26.0 | 26.4 | 26.4 | 25.2 | 24.0 | 22.5  | 21.1  | -     | -     | -     | -     | -     | -     | -     | -          | 24 |  |
| 28       | -    | 18.2              | 19.9 | 20.3 | 21.0 | 20.5 | 19.9 | 18.5  | 17.5  | 16.8  | -     | -     | -     | -     | -     | -     | -          | 28 |  |
| 32       | -    | 14.2              | 15.8 | 16.0 | 16.9 | 16.4 | 16.4 | 15.5  | 14.7  | 14.2  | 12.4  | -     | -     | -     | -     | -     | -          | 32 |  |
| 36       | -    | 7.4               | 13.1 | 13.2 | 13.9 | 13.6 | 13.7 | 13.2  | 12.5  | 12.1  | 10.5  | 9.8   | -     | -     | -     | -     | -          | 36 |  |
| 40       | -    | -                 | 10.7 | 10.8 | 11.4 | 11.2 | 11.4 | 11.0  | 10.5  | 10.2  | 8.8   | 8.2   | 6.4   | 5.7   | -     | -     | -          | 40 |  |
| 48       | -    | -                 | 7.6  | 7.8  | 8.4  | 8.0  | 8.2  | 7.8   | 7.5   | 7.6   | 6.1   | 5.5   | 4.0   | 3.3   | -     | -     | -          | 48 |  |
| 56       | -    | -                 | -    | 5.7  | 6.2  | 5.9  | 6.1  | 5.6   | 5.3   | 5.6   | 4.0   | 3.5   | -     | -     | -     | -     | -          | 56 |  |
| 64       | -    | -                 | -    | -    | 4.7  | 4.5  | 4.7  | 4.0   | 3.8   | 3.9   | 2.5   | 2.0   | -     | -     | -     | -     | -          | 64 |  |
| 72       | -    | -                 | -    | -    | 3.6  | 3.3  | 3.3  | 2.9   | 2.7   | 2.7   | -     | -     | -     | -     | -     | -     | -          | 72 |  |
| 80       | -    | -                 | -    | -    | -    | -    | 2.5  | -     | -     | -     | -     | -     | -     | -     | -     | -     | -          | 80 |  |
| 1)       | 16.1 | 9.7               | 6.6  | 4.6  | 3.3  | 1.8  | -    | -     | -     | -     | -     | -     | -     | -     | -     | -     | -          | 1) |  |

1) Capacities with horizontal boom

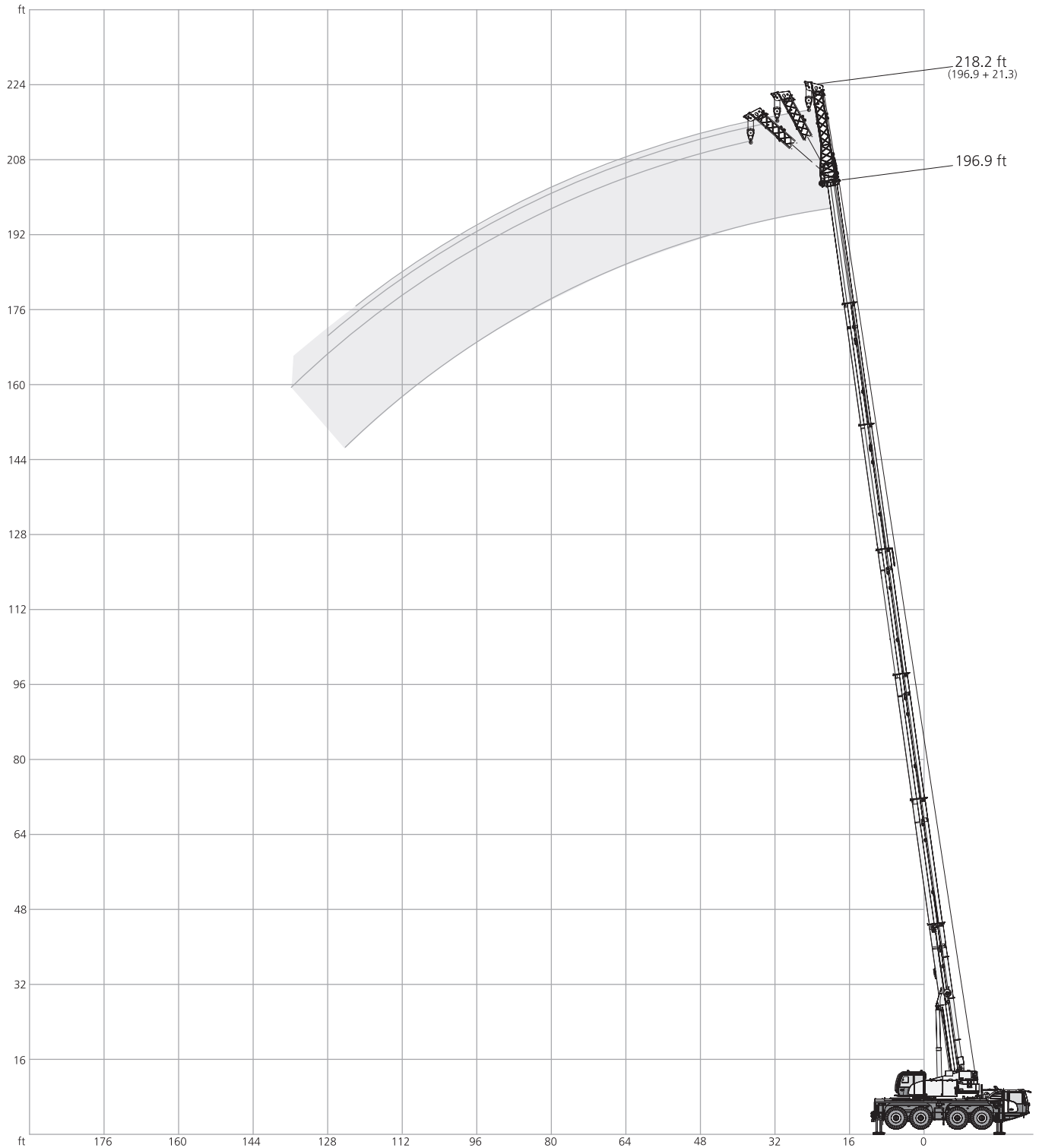
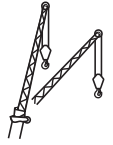
| 20,500 lb   |          | 26.5 ft x 10.4 ft |      |      |      |      |       |       |       |       |       |       |       |       |       | 360°  | ASME B30.5 |
|---|----------|-------------------|------|------|------|------|-------|-------|-------|-------|-------|-------|-------|-------|-------|---|------------|
|  |          | (ft)              |      |      |      |      |       |       |       |       |       |       |       |       |       |  |            |
| ft  | 35.8     | 47.2              | 58.7 | 70.2 | 81.7 | 93.2 | 104.7 | 116.1 | 127.6 | 139.1 | 150.6 | 162.1 | 173.6 | 182.1 | 190.3 | 196.9   | ft         |
|   | 1,000 lb |                   |      |      |      |      |       |       |       |       |       |       |       |       |       |   |            |
| 10  | 83.4     | 77.4              | 71.0 | 64.6 | 60.5 | -    | -     | -     | -     | -     | -     | -     | -     | -     | -     | -   | 10         |
| 12  | 65.2     | 62.4              | 58.2 | 54.6 | 50.9 | -    | -     | -     | -     | -     | -     | -     | -     | -     | -     | -   | 12         |
| 14  | 51.0     | 51.8              | 48.9 | 46.9 | 43.7 | 41.4 | -     | -     | -     | -     | -     | -     | -     | -     | -     | -   | 14         |
| 16  | 39.9     | 42.8              | 42.6 | 40.6 | 38.6 | 36.3 | 32.4  | -     | -     | -     | -     | -     | -     | -     | -     | -   | 16         |
| 18  | 32.9     | 35.9              | 36.7 | 35.9 | 34.3 | 32.4 | 30.6  | -     | -     | -     | -     | -     | -     | -     | -     | -   | 18         |
| 20  | 26.9     | 29.8              | 31.7 | 31.6 | 30.4 | 28.9 | 27.4  | 25.6  | -     | -     | -     | -     | -     | -     | -     | -   | 20         |
| 24  | 19.7     | 22.1              | 23.9 | 24.1 | 24.6 | 23.6 | 22.5  | 21.1  | 20.0  | -     | -     | -     | -     | -     | -     | -   | 24         |
| 28  | -        | 17.1              | 18.8 | 19.1 | 19.7 | 19.3 | 18.9  | 17.7  | 16.7  | 16.0  | -     | -     | -     | -     | -     | -   | 28         |
| 32  | -        | 13.6              | 15.2 | 15.4 | 16.1 | 15.6 | 15.7  | 15.0  | 14.2  | 13.7  | 11.9  | -     | -     | -     | -     | -   | 32         |
| 36  | -        | 7.4               | 12.7 | 12.8 | 13.5 | 13.2 | 13.4  | 12.7  | 12.2  | 11.7  | 10.2  | 9.5   | -     | -     | -     | -   | 36         |
| 40  | -        | -                 | 10.5 | 10.6 | 11.2 | 11.0 | 11.2  | 10.6  | 10.3  | 9.9   | 8.6   | 8.2   | 6.6   | 6.0   | -     | -   | 40         |
| 48  | -        | -                 | 7.6  | 7.8  | 8.3  | 8.0  | 8.3   | 7.8   | 7.5   | 7.5   | 6.1   | 5.8   | 4.3   | 3.6   | -     | -   | 48         |
| 56  | -        | -                 | -    | 5.7  | 6.2  | 6.0  | 6.2   | 5.7   | 5.5   | 5.7   | 4.4   | 3.7   | 2.4   | -     | -     | -   | 56         |
| 64  | -        | -                 | -    | -    | 4.7  | 4.5  | 4.7   | 4.2   | 4.0   | 4.1   | 2.8   | 2.3   | -     | -     | -     | -   | 64         |
| 72  | -        | -                 | -    | -    | 3.8  | 3.3  | 3.6   | 3.1   | 2.9   | 2.9   | 1.6   | -     | -     | -     | -     | -   | 72         |
| 80  | -        | -                 | -    | -    | -    | -    | 2.7   | -     | -     | -     | -     | -     | -     | -     | -     | -   | 80         |
| 1)  | 15.4     | 9.5               | 6.6  | 4.6  | 3.3  | 2.0  | -     | -     | -     | -     | -     | -     | -     | -     | -     | -   | 1)         |

1) Capacities with horizontal boom

| 14,100 lb |    | 26.5 ft x 10.4 ft |      |      |      |      |      |       |       |       |       |       |       |       |       | 360°  | ASME B30.5 |    |  |
|-----------|----|-------------------|------|------|------|------|------|-------|-------|-------|-------|-------|-------|-------|-------|-------|------------|----|--|
|           |    | (ft)              |      |      |      |      |      |       |       |       |       |       |       |       |       |       |            |    |  |
|           |    | 35.8              | 47.2 | 58.7 | 70.2 | 81.7 | 93.2 | 104.7 | 116.1 | 127.6 | 139.1 | 150.6 | 162.1 | 173.6 | 182.1 | 190.3 | 196.9      |    |  |
| ft        | ft | 1,000 lb          |      |      |      |      |      |       |       |       |       |       |       |       |       | ft    |            |    |  |
| 10        |    | 71.9              | 67.4 | 61.9 | 57.6 | 52.7 | -    | -     | -     | -     | -     | -     | -     | -     | -     | -     | -          | 10 |  |
| 12        |    | 56.0              | 54.2 | 51.1 | 48.0 | 44.9 | -    | -     | -     | -     | -     | -     | -     | -     | -     | -     | -          | 12 |  |
| 14        |    | 43.5              | 44.7 | 43.1 | 40.7 | 38.5 | 35.9 | -     | -     | -     | -     | -     | -     | -     | -     | -     | -          | 14 |  |
| 16        |    | 33.9              | 36.8 | 36.9 | 35.0 | 33.4 | 31.5 | 27.7  | -     | -     | -     | -     | -     | -     | -     | -     | -          | 16 |  |
| 18        |    | 27.8              | 30.8 | 31.9 | 30.8 | 29.6 | 28.0 | 26.4  | -     | -     | -     | -     | -     | -     | -     | -     | -          | 18 |  |
| 20        |    | 22.6              | 25.4 | 27.4 | 27.0 | 26.3 | 24.8 | 23.5  | 21.9  | -     | -     | -     | -     | -     | -     | -     | -          | 20 |  |
| 24        |    | 16.2              | 18.6 | 20.5 | 20.7 | 21.0 | 20.2 | 19.2  | 17.9  | 16.8  | -     | -     | -     | -     | -     | -     | -          | 24 |  |
| 28        |    | -                 | 14.2 | 16.0 | 16.2 | 16.9 | 16.4 | 15.9  | 14.9  | 13.9  | 13.3  | -     | -     | -     | -     | -     | -          | 28 |  |
| 32        |    | -                 | 11.1 | 12.7 | 12.9 | 13.6 | 13.3 | 13.3  | 12.4  | 11.7  | 11.2  | 9.6   | -     | -     | -     | -     | -          | 32 |  |
| 36        |    | -                 | 5.2  | 10.5 | 10.7 | 11.4 | 11.1 | 11.1  | 10.5  | 10.0  | 9.5   | 8.1   | 7.5   | -     | -     | -     | -          | 36 |  |
| 40        |    | -                 | -    | 8.6  | 8.8  | 9.5  | 9.0  | 9.3   | 8.8   | 8.4   | 8.0   | 6.6   | 6.2   | -     | -     | -     | -          | 40 |  |
| 48        |    | -                 | -    | 6.1  | 6.3  | 6.8  | 6.5  | 6.7   | 6.3   | 5.9   | 5.7   | 4.4   | 3.9   | -     | -     | -     | -          | 48 |  |
| 56        |    | -                 | -    | -    | 4.5  | 5.0  | 4.7  | 4.9   | 4.5   | 4.1   | 3.9   | 2.6   | 2.1   | -     | -     | -     | -          | 56 |  |
| 64        |    | -                 | -    | -    | -    | 3.7  | 3.4  | 3.6   | 3.1   | 2.7   | 2.6   | -     | -     | -     | -     | -     | -          | 64 |  |
| 72        |    | -                 | -    | -    | -    | 2.7  | 2.2  | 2.4   | 2.0   | 1.6   | 1.6   | -     | -     | -     | -     | -     | -          | 72 |  |
| 1)        |    | 12.6              | 7.7  | 5.3  | 3.5  | 2.4  | -    | -     | -     | -     | -     | -     | -     | -     | -     | -     | -          | 1) |  |

| 7,300 lb |    | 26.5 ft x 10.4 ft |      |      |      |      |      |       |       |       |       |       |       |       |       | 360°  | ASME B30.5 |    |  |
|----------|----|-------------------|------|------|------|------|------|-------|-------|-------|-------|-------|-------|-------|-------|-------|------------|----|--|
|          |    | (ft)              |      |      |      |      |      |       |       |       |       |       |       |       |       |       |            |    |  |
|          |    | 35.8              | 47.2 | 58.7 | 70.2 | 81.7 | 93.2 | 104.7 | 116.1 | 127.6 | 139.1 | 150.6 | 162.1 | 173.6 | 182.1 | 190.3 | 196.9      |    |  |
| ft       | ft | 1,000 lb          |      |      |      |      |      |       |       |       |       |       |       |       |       | ft    |            |    |  |
| 10       |    | 59.7              | 56.6 | 52.8 | 48.7 | 45.0 | -    | -     | -     | -     | -     | -     | -     | -     | -     | -     | -          | 10 |  |
| 12       |    | 46.1              | 45.1 | 43.1 | 40.3 | 37.7 | -    | -     | -     | -     | -     | -     | -     | -     | -     | -     | -          | 12 |  |
| 14       |    | 35.5              | 37.1 | 36.0 | 34.0 | 32.3 | 30.1 | -     | -     | -     | -     | -     | -     | -     | -     | -     | -          | 14 |  |
| 16       |    | 27.4              | 30.4 | 30.6 | 29.3 | 27.9 | 26.1 | 22.7  | -     | -     | -     | -     | -     | -     | -     | -     | -          | 16 |  |
| 18       |    | 22.3              | 25.2 | 26.4 | 25.7 | 24.7 | 23.1 | 21.8  | -     | -     | -     | -     | -     | -     | -     | -     | -          | 18 |  |
| 20       |    | 17.8              | 20.7 | 22.6 | 22.3 | 21.7 | 20.4 | 19.3  | 17.8  | -     | -     | -     | -     | -     | -     | -     | -          | 20 |  |
| 24       |    | 12.4              | 15.0 | 16.7 | 17.0 | 17.3 | 16.4 | 15.6  | 14.4  | 13.4  | -     | -     | -     | -     | -     | -     | -          | 24 |  |
| 28       |    | -                 | 11.2 | 12.9 | 13.1 | 13.8 | 13.3 | 12.8  | 11.7  | 11.0  | 10.5  | -     | -     | -     | -     | -     | -          | 28 |  |
| 32       |    | -                 | 8.6  | 10.2 | 10.4 | 11.1 | 10.6 | 10.6  | 9.6   | 9.0   | 8.5   | 7.2   | -     | -     | -     | -     | -          | 32 |  |
| 36       |    | -                 | -    | 8.3  | 8.5  | 9.1  | 8.7  | 8.7   | 8.1   | 7.4   | 7.1   | 5.8   | 5.1   | -     | -     | -     | -          | 36 |  |
| 40       |    | -                 | -    | 6.6  | 6.9  | 7.3  | 7.1  | 7.3   | 6.7   | 6.0   | 5.8   | 4.5   | 3.8   | -     | -     | -     | -          | 40 |  |
| 48       |    | -                 | -    | 4.4  | 4.7  | 5.1  | 4.9  | 5.1   | 4.6   | 4.0   | 3.8   | -     | -     | -     | -     | -     | -          | 48 |  |
| 56       |    | -                 | -    | -    | 3.2  | 3.6  | 3.4  | 3.6   | 2.9   | 2.4   | 2.3   | -     | -     | -     | -     | -     | -          | 56 |  |
| 64       |    | -                 | -    | -    | -    | 2.4  | 2.0  | 2.3   | -     | -     | -     | -     | -     | -     | -     | -     | -          | 64 |  |
| 1)       |    | 9.3               | 5.5  | 3.7  | 2.2  | -    | -    | -     | -     | -     | -     | -     | -     | -     | -     | -     | -          | 1) |  |

1) Capacities with horizontal boom





| 39,000 lb |         | 26.5 ft x 21.3 ft |      |          | 21.3 ft |      |          | 360° |      |          | ASME B30.5 |      |     |
|-----------|---------|-------------------|------|----------|---------|------|----------|------|------|----------|------------|------|-----|
| ft        | 35.8 ft |                   |      | 104.7 ft |         |      | 173.6 ft |      |      | 196.9 ft |            |      | ft  |
|           | 0°      | 25°               | 50°  | 0°       | 25°     | 50°  | 0°       | 25°  | 50°  | 0°       | 25°*       | 50°* |     |
| 1,000 lb  |         |                   |      |          |         |      |          |      |      |          |            |      |     |
| 10        | 52.1    | -                 | -    | -        | -       | -    | -        | -    | -    | -        | -          | -    | 10  |
| 12        | 47.8    | -                 | -    | -        | -       | -    | -        | -    | -    | -        | -          | -    | 12  |
| 14        | 43.8    | 32.7              | -    | -        | -       | -    | -        | -    | -    | -        | -          | -    | 14  |
| 16        | 40.0    | 31.5              | -    | -        | -       | -    | -        | -    | -    | -        | -          | -    | 16  |
| 18        | 36.6    | 30.2              | -    | -        | -       | -    | -        | -    | -    | -        | -          | -    | 18  |
| 20        | 33.4    | 28.9              | 16.3 | 35.9     | -       | -    | -        | -    | -    | -        | -          | -    | 20  |
| 24        | 28.9    | 26.3              | 15.4 | 35.8     | -       | -    | -        | -    | -    | -        | -          | -    | 24  |
| 28        | 25.1    | 24.4              | 14.9 | 35.1     | -       | -    | -        | -    | -    | -        | -          | -    | 28  |
| 32        | 22.1    | 22.8              | 14.4 | 33.5     | 25.0    | -    | -        | -    | -    | -        | -          | -    | 32  |
| 36        | 20.0    | 21.5              | -    | 31.2     | 23.8    | 15.7 | -        | -    | -    | -        | -          | -    | 36  |
| 40        | 18.0    | -                 | -    | 29.0     | 22.8    | 15.4 | 11.5     | -    | -    | -        | -          | -    | 40  |
| 48        | -       | -                 | -    | 24.9     | 21.2    | 14.9 | 11.5     | -    | -    | 7.5      | -          | -    | 48  |
| 56        | -       | -                 | -    | 21.5     | 19.5    | 14.7 | 11.5     | 11.5 | -    | 7.5      | -          | -    | 56  |
| 64        | -       | -                 | -    | 17.8     | 18.1    | 14.4 | 11.5     | 11.5 | -    | 7.5      | 8.2        | -    | 64  |
| 72        | -       | -                 | -    | 14.8     | 15.1    | 14.1 | 11.5     | 11.5 | 11.5 | 7.5      | 8.2        | 8.2  | 72  |
| 80        | -       | -                 | -    | 12.7     | 12.8    | 13.1 | 10.1     | 10.6 | 11.0 | 7.5      | 8.1        | 8.2  | 80  |
| 88        | -       | -                 | -    | 10.8     | 11.0    | 6.8  | 8.3      | 9.3  | 9.6  | 7.1      | 7.8        | 8.1  | 88  |
| 96        | -       | -                 | -    | 9.1      | 9.4     | -    | 6.7      | 7.4  | 7.8  | 5.8      | 6.9        | 7.4  | 96  |
| 104       | -       | -                 | -    | 8.3      | 8.3     | -    | 5.2      | 5.9  | 6.3  | 4.5      | 5.5        | 6.1  | 104 |
| 112       | -       | -                 | -    | 4.8      | 4.8     | -    | 4.1      | 4.6  | 5.0  | 3.5      | 4.3        | 4.8  | 112 |
| 120       | -       | -                 | -    | 4.3      | -       | -    | 3.1      | 3.5  | 3.7  | 2.5      | 3.3        | 3.7  | 120 |
| 128       | -       | -                 | -    | -        | -       | -    | 2.1      | 2.5  | 2.8  | -        | 2.5        | 2.8  | 128 |
| 136       | -       | -                 | -    | -        | -       | -    | -        | 1.7  | 1.9  | -        | -          | 1.9  | 136 |

 \* 192.6 ft

|     |  | 26.5 ft x 21.3 ft |      |      | 21.3 ft  |      |      | 360°     |      |     | ASME B30.5 |      |      |     |
|-----|--|-------------------|------|------|----------|------|------|----------|------|-----|------------|------|------|-----|
|     |  | 35.8 ft           |      |      | 104.7 ft |      |      | 173.6 ft |      |     | 196.9 ft   |      |      |     |
|     |  | 0°                | 25°  | 50°  | 0°       | 25°  | 50°  | 0°       | 25°  | 50° | 0°         | 25°* | 50°* |     |
| ft  |  | 1,000 lb          |      |      |          |      |      |          |      |     |            |      | ft   |     |
| 10  |  | 52.1              | -    | -    | -        | -    | -    | -        | -    | -   | -          | -    | -    | 10  |
| 12  |  | 47.8              | -    | -    | -        | -    | -    | -        | -    | -   | -          | -    | -    | 12  |
| 14  |  | 43.8              | 32.7 | -    | -        | -    | -    | -        | -    | -   | -          | -    | -    | 14  |
| 16  |  | 40.0              | 31.5 | -    | -        | -    | -    | -        | -    | -   | -          | -    | -    | 16  |
| 18  |  | 36.6              | 30.2 | -    | -        | -    | -    | -        | -    | -   | -          | -    | -    | 18  |
| 20  |  | 33.4              | 28.9 | 16.3 | 35.9     | -    | -    | -        | -    | -   | -          | -    | -    | 20  |
| 24  |  | 28.9              | 26.3 | 15.4 | 35.8     | -    | -    | -        | -    | -   | -          | -    | -    | 24  |
| 28  |  | 25.1              | 24.4 | 14.9 | 35.1     | -    | -    | -        | -    | -   | -          | -    | -    | 28  |
| 32  |  | 22.1              | 22.8 | 14.4 | 33.5     | 25.0 | -    | -        | -    | -   | -          | -    | -    | 32  |
| 36  |  | 20.0              | 21.5 | -    | 30.3     | 23.8 | 15.7 | -        | -    | -   | -          | -    | -    | 36  |
| 40  |  | 18.0              | -    | -    | 26.8     | 22.8 | 15.4 | 11.5     | -    | -   | -          | -    | -    | 40  |
| 48  |  | -                 | -    | -    | 20.8     | 20.5 | 14.9 | 11.5     | -    | -   | 7.5        | -    | -    | 48  |
| 56  |  | -                 | -    | -    | 16.3     | 17.0 | 14.7 | 11.2     | 11.5 | -   | 7.5        | -    | -    | 56  |
| 64  |  | -                 | -    | -    | 13.3     | 13.6 | 13.6 | 9.2      | 10.3 | -   | 7.5        | 8.2  | -    | 64  |
| 72  |  | -                 | -    | -    | 11.1     | 11.3 | 11.7 | 6.9      | 8.0  | 8.9 | 5.8        | 7.3  | 8.2  | 72  |
| 80  |  | -                 | -    | -    | 9.4      | 9.6  | 9.8  | 5.0      | 5.9  | 6.8 | 3.9        | 5.3  | 6.1  | 80  |
| 88  |  | -                 | -    | -    | 7.7      | 8.1  | 6.8  | 3.5      | 4.4  | 5.1 | 2.5        | 3.7  | 4.5  | 88  |
| 96  |  | -                 | -    | -    | 6.4      | 6.6  | -    | 2.3      | 3.1  | 3.7 | -          | 2.5  | 3.2  | 96  |
| 104 |  | -                 | -    | -    | 5.2      | 5.4  | -    | -        | 1.9  | 2.4 | -          | -    | 2.1  | 104 |
| 112 |  | -                 | -    | -    | 4.1      | 4.4  | -    | -        | -    | -   | -          | -    | -    | 112 |
| 120 |  | -                 | -    | -    | 3.4      | -    | -    | -        | -    | -   | -          | -    | -    | 120 |

|     |  | 26.5 ft x 21.3 ft |      |      | 21.3 ft  |      |      | 360°     |      |     | ASME B30.5 |      |      |     |
|-----|--|-------------------|------|------|----------|------|------|----------|------|-----|------------|------|------|-----|
|     |  | 35.8 ft           |      |      | 104.7 ft |      |      | 173.6 ft |      |     | 196.9 ft   |      |      |     |
|     |  | 0°                | 25°  | 50°  | 0°       | 25°  | 50°  | 0°       | 25°  | 50° | 0°         | 25°* | 50°* |     |
| ft  |  | 1,000 lb          |      |      |          |      |      |          |      |     |            |      | ft   |     |
| 10  |  | 52.1              | -    | -    | -        | -    | -    | -        | -    | -   | -          | -    | -    | 10  |
| 12  |  | 47.8              | -    | -    | -        | -    | -    | -        | -    | -   | -          | -    | -    | 12  |
| 14  |  | 43.8              | 32.7 | -    | -        | -    | -    | -        | -    | -   | -          | -    | -    | 14  |
| 16  |  | 40.0              | 31.5 | -    | -        | -    | -    | -        | -    | -   | -          | -    | -    | 16  |
| 18  |  | 36.6              | 30.2 | -    | -        | -    | -    | -        | -    | -   | -          | -    | -    | 18  |
| 20  |  | 33.4              | 28.9 | 16.3 | 35.9     | -    | -    | -        | -    | -   | -          | -    | -    | 20  |
| 24  |  | 28.9              | 26.3 | 15.4 | 35.8     | -    | -    | -        | -    | -   | -          | -    | -    | 24  |
| 28  |  | 25.1              | 24.4 | 14.9 | 35.1     | -    | -    | -        | -    | -   | -          | -    | -    | 28  |
| 32  |  | 22.1              | 22.8 | 14.4 | 31.7     | 25.0 | -    | -        | -    | -   | -          | -    | -    | 32  |
| 36  |  | 20.0              | 21.5 | -    | 27.2     | 23.8 | 15.7 | -        | -    | -   | -          | -    | -    | 36  |
| 40  |  | 18.0              | -    | -    | 23.6     | 22.6 | 15.4 | 11.5     | -    | -   | -          | -    | -    | 40  |
| 48  |  | -                 | -    | -    | 18.7     | 19.3 | 14.9 | 11.3     | -    | -   | 7.5        | -    | -    | 48  |
| 56  |  | -                 | -    | -    | 14.7     | 15.0 | 14.3 | 9.6      | 10.6 | -   | 7.4        | -    | -    | 56  |
| 64  |  | -                 | -    | -    | 11.9     | 12.2 | 12.4 | 6.9      | 8.3  | -   | 5.6        | 7.2  | -    | 64  |
| 72  |  | -                 | -    | -    | 9.7      | 10.2 | 10.6 | 4.7      | 6.0  | 6.9 | 3.6        | 5.1  | 6.2  | 72  |
| 80  |  | -                 | -    | -    | 7.7      | 8.3  | 8.5  | 3.1      | 4.2  | 4.8 | -          | 3.5  | 4.4  | 80  |
| 88  |  | -                 | -    | -    | 6.2      | 6.6  | 6.7  | -        | 2.7  | 3.3 | -          | 2.2  | 2.9  | 88  |
| 96  |  | -                 | -    | -    | 5.0      | 5.3  | -    | -        | -    | 2.1 | -          | -    | -    | 96  |
| 104 |  | -                 | -    | -    | 3.9      | 4.3  | -    | -        | -    | -   | -          | -    | -    | 104 |
| 112 |  | -                 | -    | -    | 3.0      | 3.3  | -    | -        | -    | -   | -          | -    | -    | 112 |
| 120 |  | -                 | -    | -    | 2.3      | -    | -    | -        | -    | -   | -          | -    | -    | 120 |

 \* 192.6 ft

| 7,300 lb |         | 26.5 ft x 21.3 ft |      |          | 21.3 ft |      |          | 360° |     |          | ASME B30.5 |      |     |
|----------|---------|-------------------|------|----------|---------|------|----------|------|-----|----------|------------|------|-----|
| ft       | 35.8 ft |                   |      | 104.7 ft |         |      | 173.6 ft |      |     | 196.9 ft |            |      | ft  |
|          | 0°      | 25°               | 50°  | 0°       | 25°     | 50°  | 0°       | 25°  | 50° | 0°       | 25°*       | 50°* |     |
| 1,000 lb |         |                   |      |          |         |      |          |      |     |          |            |      |     |
| 10       | 52.1    | -                 | -    | -        | -       | -    | -        | -    | -   | -        | -          | -    | 10  |
| 12       | 47.8    | -                 | -    | -        | -       | -    | -        | -    | -   | -        | -          | -    | 12  |
| 14       | 43.8    | 32.7              | -    | -        | -       | -    | -        | -    | -   | -        | -          | -    | 14  |
| 16       | 40.0    | 31.5              | -    | -        | -       | -    | -        | -    | -   | -        | -          | -    | 16  |
| 18       | 36.6    | 30.2              | -    | -        | -       | -    | -        | -    | -   | -        | -          | -    | 18  |
| 20       | 33.4    | 28.9              | 16.3 | 35.9     | -       | -    | -        | -    | -   | -        | -          | -    | 20  |
| 24       | 28.9    | 26.3              | 15.4 | 35.7     | -       | -    | -        | -    | -   | -        | -          | -    | 24  |
| 28       | 25.1    | 24.4              | 14.9 | 32.4     | -       | -    | -        | -    | -   | -        | -          | -    | 28  |
| 32       | 22.1    | 22.8              | 14.4 | 27.3     | 25.0    | -    | -        | -    | -   | -        | -          | -    | 32  |
| 36       | 20.0    | 21.5              | -    | 23.9     | 23.2    | 15.7 | -        | -    | -   | -        | -          | -    | 36  |
| 40       | 18.0    | -                 | -    | 20.8     | 21.6    | 15.4 | 11.4     | -    | -   | -        | -          | -    | 40  |
| 48       | -       | -                 | -    | 16.1     | 16.7    | 14.9 | 9.9      | -    | -   | 7.2      | -          | -    | 48  |
| 56       | -       | -                 | -    | 12.8     | 13.2    | 13.3 | 6.8      | 8.4  | -   | 5.4      | -          | -    | 56  |
| 64       | -       | -                 | -    | 9.8      | 10.7    | 11.1 | 4.4      | 5.8  | -   | 3.1      | 4.9        | -    | 64  |
| 72       | -       | -                 | -    | 7.5      | 8.2     | 8.7  | 2.5      | 3.6  | 4.7 | -        | 2.9        | 4.0  | 72  |
| 80       | -       | -                 | -    | 5.9      | 6.6     | 6.8  | -        | -    | 2.9 | -        | -          | -    | 80  |
| 88       | -       | -                 | -    | 4.5      | 5.1     | 5.3  | -        | -    | -   | -        | -          | -    | 88  |
| 96       | -       | -                 | -    | 3.4      | 3.9     | -    | -        | -    | -   | -        | -          | -    | 96  |
| 104      | -       | -                 | -    | 2.5      | 2.8     | -    | -        | -    | -   | -        | -          | -    | 104 |

 \* 192.6 ft

| 39,000 lb |         |      |      |          |      |      |          |      |     |          |      |      | 26.5 ft x 14.7 ft |     |  | 21.3 ft |  |  | 360° |  |  | ASME B30.5 |  |  |
|-----------|---------|------|------|----------|------|------|----------|------|-----|----------|------|------|-------------------|-----|--|---------|--|--|------|--|--|------------|--|--|
| ft        | 35.8 ft |      |      | 104.7 ft |      |      | 173.6 ft |      |     | 196.9 ft |      |      | ft                |     |  |         |  |  |      |  |  |            |  |  |
|           | 0°      | 25°  | 50°  | 0°       | 25°  | 50°  | 0°       | 25°  | 50° | 0°       | 25°* | 50°* |                   |     |  |         |  |  |      |  |  |            |  |  |
| 1,000 lb  |         |      |      |          |      |      |          |      |     |          |      |      |                   |     |  |         |  |  |      |  |  |            |  |  |
| 10        | 52.1    | -    | -    | -        | -    | -    | -        | -    | -   | -        | -    | -    | 10                |     |  |         |  |  |      |  |  |            |  |  |
| 12        | 47.8    | -    | -    | -        | -    | -    | -        | -    | -   | -        | -    | -    | 12                |     |  |         |  |  |      |  |  |            |  |  |
| 14        | 43.8    | 32.7 | -    | -        | -    | -    | -        | -    | -   | -        | -    | -    | 14                |     |  |         |  |  |      |  |  |            |  |  |
| 16        | 40.0    | 31.5 | -    | -        | -    | -    | -        | -    | -   | -        | -    | -    | 16                |     |  |         |  |  |      |  |  |            |  |  |
| 18        | 36.6    | 30.2 | -    | -        | -    | -    | -        | -    | -   | -        | -    | -    | 18                |     |  |         |  |  |      |  |  |            |  |  |
| 20        | 33.4    | 28.9 | 16.3 | 35.9     | -    | -    | -        | -    | -   | -        | -    | -    | 20                |     |  |         |  |  |      |  |  |            |  |  |
| 24        | 28.9    | 26.3 | 15.4 | 35.8     | -    | -    | -        | -    | -   | -        | -    | -    | 24                |     |  |         |  |  |      |  |  |            |  |  |
| 28        | 25.1    | 24.4 | 14.9 | 33.8     | -    | -    | -        | -    | -   | -        | -    | -    | 28                |     |  |         |  |  |      |  |  |            |  |  |
| 32        | 22.1    | 22.8 | 14.4 | 29.7     | 25.0 | -    | -        | -    | -   | -        | -    | -    | 32                |     |  |         |  |  |      |  |  |            |  |  |
| 36        | 20.0    | 21.5 | -    | 26.0     | 23.8 | 15.7 | -        | -    | -   | -        | -    | -    | 36                |     |  |         |  |  |      |  |  |            |  |  |
| 40        | 18.0    | -    | -    | 22.8     | 22.5 | 15.4 | 11.5     | -    | -   | -        | -    | -    | 40                |     |  |         |  |  |      |  |  |            |  |  |
| 48        | -       | -    | -    | 18.2     | 18.6 | 14.9 | 11.5     | -    | -   | -        | 7.5  | -    | 48                |     |  |         |  |  |      |  |  |            |  |  |
| 56        | -       | -    | -    | 14.5     | 14.8 | 14.2 | 10.4     | 11.1 | -   | -        | 7.5  | -    | 56                |     |  |         |  |  |      |  |  |            |  |  |
| 64        | -       | -    | -    | 12.1     | 12.2 | 12.4 | 8.0      | 9.1  | -   | -        | 6.7  | 8.0  | 64                |     |  |         |  |  |      |  |  |            |  |  |
| 72        | -       | -    | -    | 10.0     | 10.4 | 10.6 | 5.8      | 6.9  | 7.8 | -        | 4.9  | 6.2  | 7.1               | 72  |  |         |  |  |      |  |  |            |  |  |
| 80        | -       | -    | -    | 8.1      | 8.6  | 8.8  | 4.2      | 5.3  | 5.9 | -        | 3.4  | 4.6  | 5.3               | 80  |  |         |  |  |      |  |  |            |  |  |
| 88        | -       | -    | -    | 6.7      | 7.0  | 6.8  | 3.1      | 3.8  | 4.4 | -        | 2.3  | 3.4  | 4.0               | 88  |  |         |  |  |      |  |  |            |  |  |
| 96        | -       | -    | -    | 5.6      | 5.8  | -    | 2.0      | 2.8  | 3.2 | -        | -    | 2.3  | 2.8               | 96  |  |         |  |  |      |  |  |            |  |  |
| 104       | -       | -    | -    | 4.5      | 4.8  | -    | -        | 1.7  | 2.1 | -        | -    | -    | 1.9               | 104 |  |         |  |  |      |  |  |            |  |  |
| 112       | -       | -    | -    | 3.7      | 3.9  | -    | -        | -    | -   | -        | -    | -    | -                 | 112 |  |         |  |  |      |  |  |            |  |  |
| 120       | -       | -    | -    | 3.0      | -    | -    | -        | -    | -   | -        | -    | -    | -                 | 120 |  |         |  |  |      |  |  |            |  |  |

| 20,500 lb |         |      |      |          |      |      |          |     |     |          |      |      | 26.5 ft x 14.7 ft |     |  | 21.3 ft |  |  | 360° |  |  | ASME B30.5 |  |  |
|-----------|---------|------|------|----------|------|------|----------|-----|-----|----------|------|------|-------------------|-----|--|---------|--|--|------|--|--|------------|--|--|
| ft        | 35.8 ft |      |      | 104.7 ft |      |      | 173.6 ft |     |     | 196.9 ft |      |      | ft                |     |  |         |  |  |      |  |  |            |  |  |
|           | 0°      | 25°  | 50°  | 0°       | 25°  | 50°  | 0°       | 25° | 50° | 0°       | 25°* | 50°* |                   |     |  |         |  |  |      |  |  |            |  |  |
| 1,000 lb  |         |      |      |          |      |      |          |     |     |          |      |      |                   |     |  |         |  |  |      |  |  |            |  |  |
| 10        | 52.1    | -    | -    | -        | -    | -    | -        | -   | -   | -        | -    | -    | 10                |     |  |         |  |  |      |  |  |            |  |  |
| 12        | 47.8    | -    | -    | -        | -    | -    | -        | -   | -   | -        | -    | -    | 12                |     |  |         |  |  |      |  |  |            |  |  |
| 14        | 43.8    | 32.7 | -    | -        | -    | -    | -        | -   | -   | -        | -    | -    | 14                |     |  |         |  |  |      |  |  |            |  |  |
| 16        | 40.0    | 31.5 | -    | -        | -    | -    | -        | -   | -   | -        | -    | -    | 16                |     |  |         |  |  |      |  |  |            |  |  |
| 18        | 36.6    | 30.2 | -    | -        | -    | -    | -        | -   | -   | -        | -    | -    | 18                |     |  |         |  |  |      |  |  |            |  |  |
| 20        | 33.4    | 28.9 | 16.3 | 35.4     | -    | -    | -        | -   | -   | -        | -    | -    | 20                |     |  |         |  |  |      |  |  |            |  |  |
| 24        | 28.9    | 26.3 | 15.4 | 29.8     | -    | -    | -        | -   | -   | -        | -    | -    | 24                |     |  |         |  |  |      |  |  |            |  |  |
| 28        | 25.1    | 24.4 | 14.9 | 25.6     | -    | -    | -        | -   | -   | -        | -    | -    | 28                |     |  |         |  |  |      |  |  |            |  |  |
| 32        | 22.1    | 22.8 | 14.4 | 22.2     | 23.0 | -    | -        | -   | -   | -        | -    | -    | 32                |     |  |         |  |  |      |  |  |            |  |  |
| 36        | 19.5    | 20.3 | -    | 19.6     | 20.1 | 15.7 | -        | -   | -   | -        | -    | -    | 36                |     |  |         |  |  |      |  |  |            |  |  |
| 40        | 16.8    | -    | -    | 17.3     | 17.9 | 15.3 | 10.7     | -   | -   | -        | -    | -    | 40                |     |  |         |  |  |      |  |  |            |  |  |
| 48        | -       | -    | -    | 13.2     | 14.2 | 14.1 | 7.4      | -   | -   | -        | 6.1  | -    | 48                |     |  |         |  |  |      |  |  |            |  |  |
| 56        | -       | -    | -    | 10.1     | 10.8 | 11.5 | 4.8      | 6.2 | -   | -        | 3.7  | -    | 56                |     |  |         |  |  |      |  |  |            |  |  |
| 64        | -       | -    | -    | 7.7      | 8.4  | 8.9  | 3.0      | 4.1 | -   | -        | 1.9  | 3.5  | 64                |     |  |         |  |  |      |  |  |            |  |  |
| 72        | -       | -    | -    | 6.0      | 6.4  | 6.9  | -        | 2.5 | 3.3 | -        | -    | 2.0  | 2.7               | 72  |  |         |  |  |      |  |  |            |  |  |
| 80        | -       | -    | -    | 4.6      | 5.1  | 5.3  | -        | -   | -   | -        | -    | -    | -                 | 80  |  |         |  |  |      |  |  |            |  |  |
| 88        | -       | -    | -    | 3.5      | 3.8  | 4.0  | -        | -   | -   | -        | -    | -    | -                 | 88  |  |         |  |  |      |  |  |            |  |  |
| 96        | -       | -    | -    | 2.7      | 2.9  | -    | -        | -   | -   | -        | -    | -    | -                 | 96  |  |         |  |  |      |  |  |            |  |  |
| 104       | -       | -    | -    | 1.9      | 2.1  | -    | -        | -   | -   | -        | -    | -    | -                 | 104 |  |         |  |  |      |  |  |            |  |  |

 \* 192.6 ft

| 14,100 lb |         |      |      |          |      |      |          |     |     |          |     |     |    | 26.5 ft x 14.7 ft |  |  | 21.3 ft |  |  | 360° |  |  | ASME B30.5 |  |  |
|-----------|---------|------|------|----------|------|------|----------|-----|-----|----------|-----|-----|----|-------------------|--|--|---------|--|--|------|--|--|------------|--|--|
| ft        | 35.8 ft |      |      | 104.7 ft |      |      | 173.6 ft |     |     | 196.9 ft |     |     | ft |                   |  |  |         |  |  |      |  |  |            |  |  |
|           | 0°      | 25°  | 50°  | 0°       | 25°  | 50°  | 0°       | 25° | 50° | 0°       | 25° | 50° |    |                   |  |  |         |  |  |      |  |  |            |  |  |
| 1,000 lb  |         |      |      |          |      |      |          |     |     |          |     |     |    |                   |  |  |         |  |  |      |  |  |            |  |  |
| 10        | 52.1    | -    | -    | -        | -    | -    | -        | -   | -   | -        | -   | -   | 10 |                   |  |  |         |  |  |      |  |  |            |  |  |
| 12        | 47.8    | -    | -    | -        | -    | -    | -        | -   | -   | -        | -   | -   | 12 |                   |  |  |         |  |  |      |  |  |            |  |  |
| 14        | 43.8    | 32.7 | -    | -        | -    | -    | -        | -   | -   | -        | -   | -   | 14 |                   |  |  |         |  |  |      |  |  |            |  |  |
| 16        | 40.0    | 31.5 | -    | -        | -    | -    | -        | -   | -   | -        | -   | -   | 16 |                   |  |  |         |  |  |      |  |  |            |  |  |
| 18        | 36.6    | 30.2 | -    | -        | -    | -    | -        | -   | -   | -        | -   | -   | 18 |                   |  |  |         |  |  |      |  |  |            |  |  |
| 20        | 33.4    | 28.9 | 16.3 | 31.7     | -    | -    | -        | -   | -   | -        | -   | -   | 20 |                   |  |  |         |  |  |      |  |  |            |  |  |
| 24        | 28.9    | 26.3 | 15.4 | 26.7     | -    | -    | -        | -   | -   | -        | -   | -   | 24 |                   |  |  |         |  |  |      |  |  |            |  |  |
| 28        | 25.1    | 24.4 | 14.9 | 22.9     | -    | -    | -        | -   | -   | -        | -   | -   | 28 |                   |  |  |         |  |  |      |  |  |            |  |  |
| 32        | 20.8    | 22.0 | 14.4 | 19.8     | 20.2 | -    | -        | -   | -   | -        | -   | -   | 32 |                   |  |  |         |  |  |      |  |  |            |  |  |
| 36        | 17.3    | 18.5 | -    | 17.1     | 17.9 | 15.7 | -        | -   | -   | -        | -   | -   | 36 |                   |  |  |         |  |  |      |  |  |            |  |  |
| 40        | 14.2    | -    | -    | 14.7     | 16.0 | 15.1 | 8.3      | -   | -   | -        | -   | -   | 40 |                   |  |  |         |  |  |      |  |  |            |  |  |
| 48        | -       | -    | -    | 11.1     | 12.2 | 12.9 | 5.1      | -   | -   | -        | -   | -   | 48 |                   |  |  |         |  |  |      |  |  |            |  |  |
| 56        | -       | -    | -    | 8.3      | 9.2  | 9.7  | 2.9      | 4.3 | -   | -        | -   | -   | 56 |                   |  |  |         |  |  |      |  |  |            |  |  |
| 64        | -       | -    | -    | 6.1      | 6.8  | 7.5  | -        | 2.4 | -   | -        | -   | -   | 64 |                   |  |  |         |  |  |      |  |  |            |  |  |
| 72        | -       | -    | -    | 4.7      | 5.1  | 5.6  | -        | -   | -   | -        | -   | -   | 72 |                   |  |  |         |  |  |      |  |  |            |  |  |
| 80        | -       | -    | -    | 3.4      | 3.8  | 4.2  | -        | -   | -   | -        | -   | -   | 80 |                   |  |  |         |  |  |      |  |  |            |  |  |
| 88        | -       | -    | -    | 2.4      | 2.8  | 2.9  | -        | -   | -   | -        | -   | -   | 88 |                   |  |  |         |  |  |      |  |  |            |  |  |
| 96        | -       | -    | -    | -        | 2.0  | -    | -        | -   | -   | -        | -   | -   | 96 |                   |  |  |         |  |  |      |  |  |            |  |  |

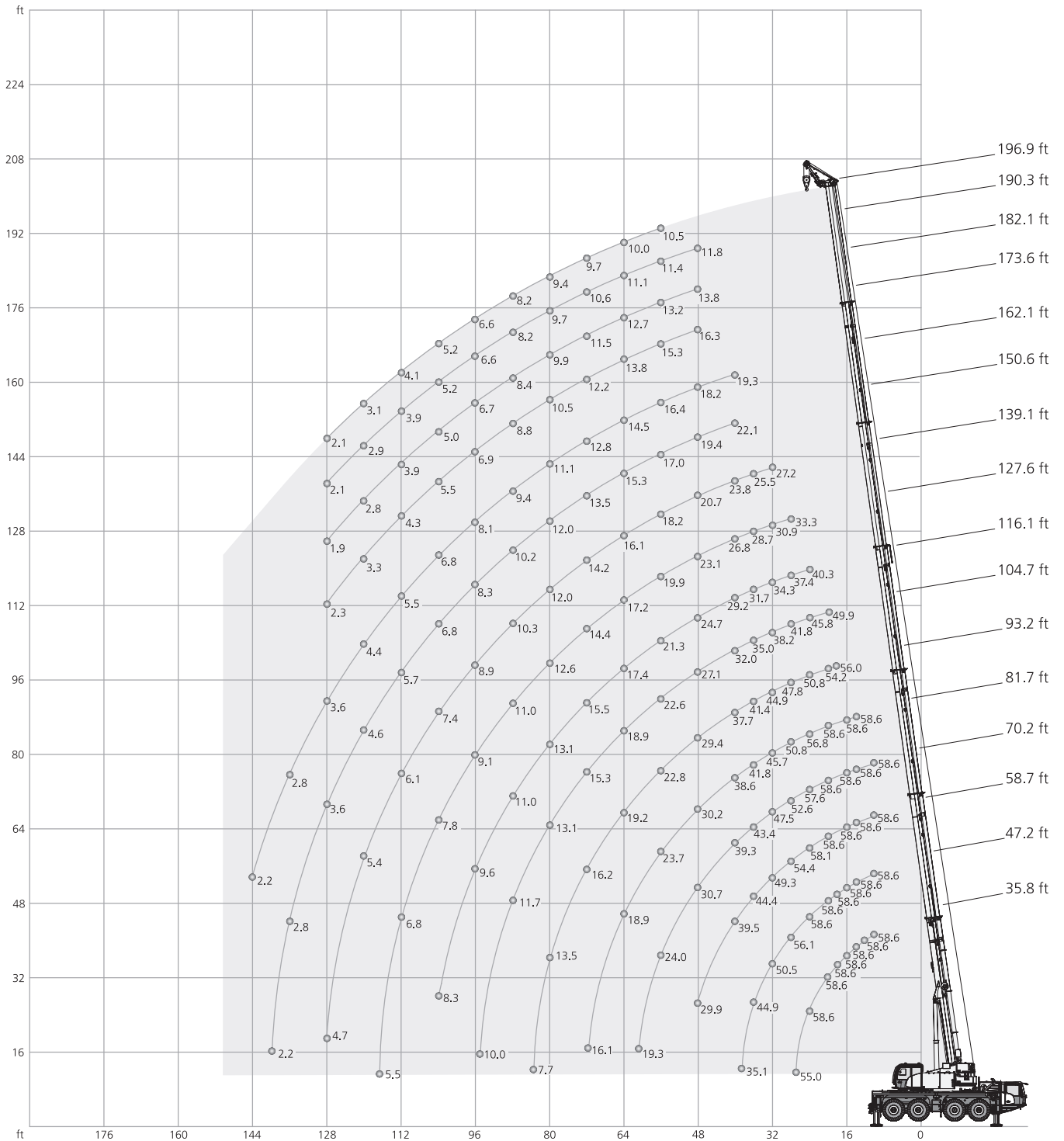
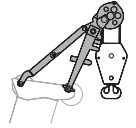
| 7,300 lb |         |      |      |          |      |      |          |     |     |          |     |     |    | 26.5 ft x 14.7 ft |  |  | 21.3 ft |  |  | 360° |  |  | ASME B30.5 |  |  |
|----------|---------|------|------|----------|------|------|----------|-----|-----|----------|-----|-----|----|-------------------|--|--|---------|--|--|------|--|--|------------|--|--|
| ft       | 35.8 ft |      |      | 104.7 ft |      |      | 173.6 ft |     |     | 196.9 ft |     |     | ft |                   |  |  |         |  |  |      |  |  |            |  |  |
|          | 0°      | 25°  | 50°  | 0°       | 25°  | 50°  | 0°       | 25° | 50° | 0°       | 25° | 50° |    |                   |  |  |         |  |  |      |  |  |            |  |  |
| 1,000 lb |         |      |      |          |      |      |          |     |     |          |     |     |    |                   |  |  |         |  |  |      |  |  |            |  |  |
| 10       | 52.1    | -    | -    | -        | -    | -    | -        | -   | -   | -        | -   | -   | 10 |                   |  |  |         |  |  |      |  |  |            |  |  |
| 12       | 47.8    | -    | -    | -        | -    | -    | -        | -   | -   | -        | -   | -   | 12 |                   |  |  |         |  |  |      |  |  |            |  |  |
| 14       | 43.8    | 32.7 | -    | -        | -    | -    | -        | -   | -   | -        | -   | -   | 14 |                   |  |  |         |  |  |      |  |  |            |  |  |
| 16       | 40.0    | 31.5 | -    | -        | -    | -    | -        | -   | -   | -        | -   | -   | 16 |                   |  |  |         |  |  |      |  |  |            |  |  |
| 18       | 36.6    | 30.2 | -    | -        | -    | -    | -        | -   | -   | -        | -   | -   | 18 |                   |  |  |         |  |  |      |  |  |            |  |  |
| 20       | 33.4    | 28.9 | 16.3 | 27.6     | -    | -    | -        | -   | -   | -        | -   | -   | 20 |                   |  |  |         |  |  |      |  |  |            |  |  |
| 24       | 28.2    | 26.3 | 15.4 | 23.3     | -    | -    | -        | -   | -   | -        | -   | -   | 24 |                   |  |  |         |  |  |      |  |  |            |  |  |
| 28       | 21.9    | 23.2 | 14.9 | 19.6     | -    | -    | -        | -   | -   | -        | -   | -   | 28 |                   |  |  |         |  |  |      |  |  |            |  |  |
| 32       | 17.2    | 18.8 | 14.4 | 16.5     | 17.8 | -    | -        | -   | -   | -        | -   | -   | 32 |                   |  |  |         |  |  |      |  |  |            |  |  |
| 36       | 14.2    | 15.3 | -    | 14.0     | 15.5 | 15.0 | -        | -   | -   | -        | -   | -   | 36 |                   |  |  |         |  |  |      |  |  |            |  |  |
| 40       | 11.6    | -    | -    | 11.9     | 13.2 | 14.3 | -        | -   | -   | -        | -   | -   | 40 |                   |  |  |         |  |  |      |  |  |            |  |  |
| 48       | -       | -    | -    | 8.8      | 9.9  | 10.6 | -        | -   | -   | -        | -   | -   | 48 |                   |  |  |         |  |  |      |  |  |            |  |  |
| 56       | -       | -    | -    | 6.3      | 7.3  | 7.8  | -        | -   | -   | -        | -   | -   | 56 |                   |  |  |         |  |  |      |  |  |            |  |  |
| 64       | -       | -    | -    | 4.5      | 5.2  | 5.7  | -        | -   | -   | -        | -   | -   | 64 |                   |  |  |         |  |  |      |  |  |            |  |  |
| 72       | -       | -    | -    | 3.1      | 3.8  | 4.0  | -        | -   | -   | -        | -   | -   | 72 |                   |  |  |         |  |  |      |  |  |            |  |  |
| 80       | -       | -    | -    | -        | 2.5  | 2.9  | -        | -   | -   | -        | -   | -   | 80 |                   |  |  |         |  |  |      |  |  |            |  |  |

| ☰ 20,500 lb |      | 📏 26.5 ft x 10.4 ft |      |     | ⚡ 21.3 ft |      |      | 360°     |     |     | ASME B30.5 |     |     |    |
|-------------|------|---------------------|------|-----|-----------|------|------|----------|-----|-----|------------|-----|-----|----|
| 📏           | 📏    | 35.8 ft             |      |     | 104.7 ft  |      |      | 173.6 ft |     |     | 196.9 ft   |     |     | 📏  |
|             |      | 0°                  | 25°  | 50° | 0°        | 25°  | 50°  | 0°       | 25° | 50° | 0°         | 25° | 50° |    |
| ft          |      | 1,000 lb            |      |     |           |      |      |          |     |     |            |     |     | ft |
| 10          | 52.1 | -                   | -    | -   | -         | -    | -    | -        | -   | -   | -          | -   | -   | 10 |
| 12          | 47.8 | -                   | -    | -   | -         | -    | -    | -        | -   | -   | -          | -   | -   | 12 |
| 14          | 43.8 | 32.7                | -    | -   | -         | -    | -    | -        | -   | -   | -          | -   | -   | 14 |
| 16          | 40.0 | 31.5                | -    | -   | -         | -    | -    | -        | -   | -   | -          | -   | -   | 16 |
| 18          | 36.6 | 30.2                | -    | -   | -         | -    | -    | -        | -   | -   | -          | -   | -   | 18 |
| 20          | 33.2 | 28.9                | 16.3 | -   | 25.4      | -    | -    | -        | -   | -   | -          | -   | -   | 20 |
| 24          | 26.3 | 26.1                | 15.4 | -   | 22.3      | -    | -    | -        | -   | -   | -          | -   | -   | 24 |
| 28          | 20.5 | 22.2                | 14.9 | -   | 18.6      | -    | -    | -        | -   | -   | -          | -   | -   | 28 |
| 32          | 16.4 | 17.8                | 14.4 | -   | 15.8      | 17.1 | -    | -        | -   | -   | -          | -   | -   | 32 |
| 36          | 13.6 | 14.7                | -    | -   | 13.6      | 15.0 | 14.8 | -        | -   | -   | -          | -   | -   | 36 |
| 40          | 11.2 | -                   | -    | -   | 11.7      | 13.0 | 13.8 | 5.5      | -   | -   | -          | -   | -   | 40 |
| 48          | -    | -                   | -    | -   | 8.8       | 9.7  | 10.5 | 2.8      | -   | -   | -          | -   | -   | 48 |
| 56          | -    | -                   | -    | -   | 6.3       | 7.2  | 7.8  | -        | -   | -   | -          | -   | -   | 56 |
| 64          | -    | -                   | -    | -   | 4.5       | 5.2  | 5.7  | -        | -   | -   | -          | -   | -   | 64 |
| 72          | -    | -                   | -    | -   | 3.1       | 3.8  | 4.2  | -        | -   | -   | -          | -   | -   | 72 |
| 80          | -    | -                   | -    | -   | 2.1       | 2.7  | 2.9  | -        | -   | -   | -          | -   | -   | 80 |

| ☰ 14,100 lb |      | 📏 26.5 ft x 10.4 ft |      |     | ⚡ 21.3 ft |      |      | 360°     |     |     | ASME B30.5 |     |     |    |
|-------------|------|---------------------|------|-----|-----------|------|------|----------|-----|-----|------------|-----|-----|----|
| 📏           | 📏    | 35.8 ft             |      |     | 104.7 ft  |      |      | 173.6 ft |     |     | 196.9 ft   |     |     | 📏  |
|             |      | 0°                  | 25°  | 50° | 0°        | 25°  | 50°  | 0°       | 25° | 50° | 0°         | 25° | 50° |    |
| ft          |      | 1,000 lb            |      |     |           |      |      |          |     |     |            |     |     | ft |
| 10          | 52.1 | -                   | -    | -   | -         | -    | -    | -        | -   | -   | -          | -   | -   | 10 |
| 12          | 47.8 | -                   | -    | -   | -         | -    | -    | -        | -   | -   | -          | -   | -   | 12 |
| 14          | 43.8 | 32.7                | -    | -   | -         | -    | -    | -        | -   | -   | -          | -   | -   | 14 |
| 16          | 39.0 | 31.5                | -    | -   | -         | -    | -    | -        | -   | -   | -          | -   | -   | 16 |
| 18          | 34.1 | 30.2                | -    | -   | -         | -    | -    | -        | -   | -   | -          | -   | -   | 18 |
| 20          | 29.4 | 28.8                | 16.3 | -   | 22.8      | -    | -    | -        | -   | -   | -          | -   | -   | 20 |
| 24          | 22.4 | 24.6                | 15.4 | -   | 18.9      | -    | -    | -        | -   | -   | -          | -   | -   | 24 |
| 28          | 17.3 | 19.0                | 14.9 | -   | 15.7      | -    | -    | -        | -   | -   | -          | -   | -   | 28 |
| 32          | 13.7 | 15.0                | 14.4 | -   | 13.2      | 14.4 | -    | -        | -   | -   | -          | -   | -   | 32 |
| 36          | 11.3 | 12.3                | -    | -   | 11.3      | 12.6 | 13.5 | -        | -   | -   | -          | -   | -   | 36 |
| 40          | 9.2  | -                   | -    | -   | 9.5       | 10.8 | 11.7 | -        | -   | -   | -          | -   | -   | 40 |
| 48          | -    | -                   | -    | -   | 6.9       | 7.8  | 8.6  | -        | -   | -   | -          | -   | -   | 48 |
| 56          | -    | -                   | -    | -   | 4.8       | 5.6  | 6.3  | -        | -   | -   | -          | -   | -   | 56 |
| 64          | -    | -                   | -    | -   | 3.2       | 3.9  | 4.3  | -        | -   | -   | -          | -   | -   | 64 |
| 72          | -    | -                   | -    | -   | 2.0       | 2.7  | 2.9  | -        | -   | -   | -          | -   | -   | 72 |

| ☰ 7,300 lb |      | 📏 26.5 ft x 10.4 ft |      |     | ⚡ 21.3 ft |      |      | 360°     |     |     | ASME B30.5 |     |     |    |
|------------|------|---------------------|------|-----|-----------|------|------|----------|-----|-----|------------|-----|-----|----|
| 📏          | 📏    | 35.8 ft             |      |     | 104.7 ft  |      |      | 173.6 ft |     |     | 196.9 ft   |     |     | 📏  |
|            |      | 0°                  | 25°  | 50° | 0°        | 25°  | 50°  | 0°       | 25° | 50° | 0°         | 25° | 50° |    |
| ft         |      | 1,000 lb            |      |     |           |      |      |          |     |     |            |     |     | ft |
| 10         | 52.1 | -                   | -    | -   | -         | -    | -    | -        | -   | -   | -          | -   | -   | 10 |
| 12         | 46.7 | -                   | -    | -   | -         | -    | -    | -        | -   | -   | -          | -   | -   | 12 |
| 14         | 38.8 | 32.7                | -    | -   | -         | -    | -    | -        | -   | -   | -          | -   | -   | 14 |
| 16         | 32.7 | 31.5                | -    | -   | -         | -    | -    | -        | -   | -   | -          | -   | -   | 16 |
| 18         | 28.2 | 29.8                | -    | -   | -         | -    | -    | -        | -   | -   | -          | -   | -   | 18 |
| 20         | 24.2 | 27.6                | 16.3 | -   | 18.7      | -    | -    | -        | -   | -   | -          | -   | -   | 20 |
| 24         | 18.2 | 20.4                | 15.4 | -   | 15.3      | -    | -    | -        | -   | -   | -          | -   | -   | 24 |
| 28         | 13.8 | 15.7                | 14.9 | -   | 12.6      | -    | -    | -        | -   | -   | -          | -   | -   | 28 |
| 32         | 10.7 | 12.1                | 13.1 | -   | 10.4      | 11.5 | -    | -        | -   | -   | -          | -   | -   | 32 |
| 36         | 8.6  | 9.7                 | -    | -   | 8.6       | 10.1 | 11.0 | -        | -   | -   | -          | -   | -   | 36 |
| 40         | 6.8  | -                   | -    | -   | 7.1       | 8.4  | 9.2  | -        | -   | -   | -          | -   | -   | 40 |
| 48         | -    | -                   | -    | -   | 4.6       | 5.8  | 6.5  | -        | -   | -   | -          | -   | -   | 48 |
| 56         | -    | -                   | -    | -   | 2.9       | 3.9  | 4.5  | -        | -   | -   | -          | -   | -   | 56 |
| 64         | -    | -                   | -    | -   | -         | 2.5  | 2.9  | -        | -   | -   | -          | -   | -   | 64 |
| 72         | -    | -                   | -    | -   | -         | -    | 1.8  | -        | -   | -   | -          | -   | -   | 72 |

A large rectangular area with horizontal lines, intended for taking notes.





| 39,000 lb |  | 26.5 ft x 21.3 ft |      |      |      | 4.9 ft |      |       |       | 360°  |       |       |       | ASME B30.5 |       |       |       |     |
|-----------|--|-------------------|------|------|------|--------|------|-------|-------|-------|-------|-------|-------|------------|-------|-------|-------|-----|
|           |  | (ft)              |      |      |      |        |      |       |       |       |       |       |       |            |       |       |       |     |
|           |  | 1,000 lb          |      |      |      |        |      |       |       |       |       |       |       |            |       |       |       |     |
| ft        |  | 35.8              | 47.2 | 58.7 | 70.2 | 81.7   | 93.2 | 104.7 | 116.1 | 127.6 | 139.1 | 150.6 | 162.1 | 173.6      | 182.1 | 190.3 | 196.9 | ft  |
| 10        |  | 58.6              | 58.6 | 58.6 | 58.6 | -      | -    | -     | -     | -     | -     | -     | -     | -          | -     | -     | -     | 10  |
| 12        |  | 58.6              | 58.6 | 58.6 | 58.6 | -      | -    | -     | -     | -     | -     | -     | -     | -          | -     | -     | -     | 12  |
| 14        |  | 58.6              | 58.6 | 58.6 | 58.6 | 58.6   | -    | -     | -     | -     | -     | -     | -     | -          | -     | -     | -     | 14  |
| 16        |  | 58.6              | 58.6 | 58.6 | 58.6 | 58.6   | -    | -     | -     | -     | -     | -     | -     | -          | -     | -     | -     | 16  |
| 18        |  | 58.6              | 58.6 | 58.6 | 58.6 | 58.6   | 56.0 | -     | -     | -     | -     | -     | -     | -          | -     | -     | -     | 18  |
| 20        |  | 58.6              | 58.6 | 58.6 | 58.6 | 58.6   | 54.2 | 49.9  | -     | -     | -     | -     | -     | -          | -     | -     | -     | 20  |
| 24        |  | 58.6              | 58.6 | 58.1 | 57.5 | 56.8   | 50.8 | 45.8  | 40.3  | -     | -     | -     | -     | -          | -     | -     | -     | 24  |
| 28        |  | 55.0              | 56.1 | 54.4 | 52.6 | 50.8   | 47.8 | 41.8  | 37.4  | 33.3  | -     | -     | -     | -          | -     | -     | -     | 28  |
| 32        |  | -                 | 50.5 | 49.3 | 47.5 | 45.7   | 44.9 | 38.2  | 34.3  | 30.9  | 27.2  | -     | -     | -          | -     | -     | -     | 32  |
| 36        |  | -                 | 44.9 | 44.4 | 43.4 | 41.8   | 41.4 | 35.0  | 31.7  | 28.7  | 25.5  | -     | -     | -          | -     | -     | -     | 36  |
| 40        |  | -                 | 35.1 | 39.5 | 39.3 | 38.6   | 37.7 | 32.0  | 29.2  | 26.8  | 23.8  | 22.1  | 19.3  | -          | -     | -     | -     | 40  |
| 48        |  | -                 | -    | 29.9 | 30.7 | 30.2   | 29.4 | 27.1  | 24.7  | 23.1  | 20.7  | 19.4  | 18.2  | 16.3       | 13.8  | 11.8  | -     | 48  |
| 56        |  | -                 | -    | -    | 24.0 | 23.7   | 22.8 | 22.6  | 21.3  | 19.9  | 18.2  | 17.0  | 16.4  | 15.3       | 13.2  | 11.4  | 10.5  | 56  |
| 64        |  | -                 | -    | -    | 19.3 | 18.9   | 19.2 | 18.9  | 17.4  | 17.2  | 16.1  | 15.3  | 14.5  | 13.8       | 12.7  | 11.1  | 10.0  | 64  |
| 72        |  | -                 | -    | -    | -    | 16.1   | 16.2 | 15.3  | 15.5  | 14.4  | 14.2  | 13.5  | 12.8  | 12.2       | 11.5  | 10.6  | 9.7   | 72  |
| 80        |  | -                 | -    | -    | -    | -      | 13.5 | 13.1  | 13.1  | 12.6  | 12.0  | 12.0  | 11.1  | 10.5       | 9.9   | 9.7   | 9.4   | 80  |
| 88        |  | -                 | -    | -    | -    | -      | 7.7  | 11.7  | 11.0  | 11.0  | 10.3  | 10.2  | 9.4   | 8.8        | 8.4   | 8.2   | 8.2   | 88  |
| 96        |  | -                 | -    | -    | -    | -      | -    | 10.0  | 9.6   | 9.1   | 8.9   | 8.3   | 8.1   | 6.9        | 6.7   | 6.6   | 6.6   | 96  |
| 104       |  | -                 | -    | -    | -    | -      | -    | 6.0   | 8.3   | 7.8   | 7.4   | 6.8   | 6.8   | 5.5        | 5.0   | 5.2   | 5.2   | 104 |
| 112       |  | -                 | -    | -    | -    | -      | -    | -     | -     | 6.8   | 6.1   | 5.7   | 5.5   | 4.3        | 3.9   | 3.9   | 4.1   | 112 |
| 120       |  | -                 | -    | -    | -    | -      | -    | -     | -     | 5.5   | 5.4   | 4.6   | 4.4   | 3.3        | 2.8   | 2.9   | 3.1   | 120 |
| 128       |  | -                 | -    | -    | -    | -      | -    | -     | -     | 4.7   | 4.7   | 3.6   | 3.6   | 2.3        | 1.9   | 2.1   | 2.1   | 128 |
| 136       |  | -                 | -    | -    | -    | -      | -    | -     | -     | -     | 2.6   | 2.8   | 2.8   | -          | -     | -     | -     | 136 |
| 144       |  | -                 | -    | -    | -    | -      | -    | -     | -     | -     | -     | 2.2   | 2.2   | -          | -     | -     | -     | 144 |
| 1)        |  | 27.3              | 20.7 | 16.5 | 13.2 | 11.0   | 8.8  | 7.1   | 5.5   | 4.2   | 3.3   | 1.8   | -     | -          | -     | -     | -     | 1)  |

1) Capacities with horizontal boom

| 20,500 lb |  | 26.5 ft x 21.3 ft |      |      |      |      | 4.9 ft |       |       |       |       | 360°  |       |       |       |       | ASME B30.5 |     |
|-----------|--|-------------------|------|------|------|------|--------|-------|-------|-------|-------|-------|-------|-------|-------|-------|------------|-----|
|           |  | (ft)              |      |      |      |      |        |       |       |       |       |       |       |       |       |       |            |     |
|           |  | 1,000 lb          |      |      |      |      |        |       |       |       |       |       |       |       |       |       |            |     |
| ft        |  | 35.8              | 47.2 | 58.7 | 70.2 | 81.7 | 93.2   | 104.7 | 116.1 | 127.6 | 139.1 | 150.6 | 162.1 | 173.6 | 182.1 | 190.3 | 196.9      | ft  |
| 10        |  | 58.6              | 58.6 | 58.6 | 58.6 | -    | -      | -     | -     | -     | -     | -     | -     | -     | -     | -     | -          | 10  |
| 12        |  | 58.6              | 58.6 | 58.6 | 58.6 | -    | -      | -     | -     | -     | -     | -     | -     | -     | -     | -     | -          | 12  |
| 14        |  | 58.6              | 58.6 | 58.6 | 58.6 | 58.6 | -      | -     | -     | -     | -     | -     | -     | -     | -     | -     | -          | 14  |
| 16        |  | 58.6              | 58.6 | 58.6 | 58.6 | 58.6 | -      | -     | -     | -     | -     | -     | -     | -     | -     | -     | -          | 16  |
| 18        |  | 58.6              | 58.6 | 58.6 | 58.6 | 58.6 | 56.0   | -     | -     | -     | -     | -     | -     | -     | -     | -     | -          | 18  |
| 20        |  | 58.6              | 58.6 | 58.6 | 58.6 | 58.6 | 54.2   | 49.9  | -     | -     | -     | -     | -     | -     | -     | -     | -          | 20  |
| 24        |  | 58.3              | 58.6 | 58.1 | 57.5 | 56.8 | 50.8   | 45.8  | 40.3  | -     | -     | -     | -     | -     | -     | -     | -          | 24  |
| 28        |  | 51.5              | 53.1 | 52.6 | 51.6 | 49.0 | 46.7   | 41.8  | 37.4  | 33.3  | -     | -     | -     | -     | -     | -     | -          | 28  |
| 32        |  | -                 | 42.0 | 42.6 | 42.2 | 42.3 | 40.3   | 37.5  | 34.3  | 30.9  | 27.2  | -     | -     | -     | -     | -     | -          | 32  |
| 36        |  | -                 | 34.5 | 35.1 | 35.6 | 36.0 | 34.2   | 32.6  | 30.6  | 28.5  | 25.4  | -     | -     | -     | -     | -     | -          | 36  |
| 40        |  | -                 | 24.3 | 30.0 | 30.0 | 29.5 | 28.7   | 28.2  | 26.8  | 26.2  | 23.6  | 21.9  | 19.3  | -     | -     | -     | -          | 40  |
| 48        |  | -                 | -    | 22.1 | 22.1 | 22.0 | 22.5   | 21.6  | 20.8  | 20.3  | 19.9  | 18.7  | 17.1  | 16.0  | 13.8  | 11.8  | -          | 48  |
| 56        |  | -                 | -    | -    | 17.5 | 17.7 | 17.3   | 17.0  | 16.9  | 16.6  | 16.2  | 15.7  | 14.0  | 13.2  | 12.3  | 11.2  | 10.5       | 56  |
| 64        |  | -                 | -    | -    | 14.1 | 14.1 | 14.1   | 13.9  | 13.8  | 13.3  | 12.8  | 12.3  | 11.6  | 10.1  | 9.4   | 9.0   | 8.9        | 64  |
| 72        |  | -                 | -    | -    | -    | 11.7 | 11.5   | 11.5  | 11.1  | 10.6  | 10.6  | 9.5   | 9.1   | 7.5   | 6.9   | 6.7   | 6.7        | 72  |
| 80        |  | -                 | -    | -    | -    | -    | 9.4    | 9.4   | 9.0   | 8.5   | 8.5   | 7.4   | 7.0   | 5.7   | 5.0   | 4.8   | 4.8        | 80  |
| 88        |  | -                 | -    | -    | -    | -    | 3.3    | 7.7   | 7.2   | 6.8   | 6.8   | 5.7   | 5.5   | 4.2   | 3.5   | 3.3   | 3.3        | 88  |
| 96        |  | -                 | -    | -    | -    | -    | -      | 6.4   | 5.8   | 5.5   | 5.5   | 4.4   | 4.3   | 2.8   | 2.3   | 2.1   | 2.1        | 96  |
| 104       |  | -                 | -    | -    | -    | -    | -      | 5.2   | 4.8   | 4.3   | 4.3   | 3.2   | 3.0   | 1.9   | -     | -     | -          | 104 |
| 112       |  | -                 | -    | -    | -    | -    | -      | -     | -     | 3.5   | 3.5   | 2.2   | -     | -     | -     | -     | -          | 112 |
| 120       |  | -                 | -    | -    | -    | -    | -      | -     | -     | 2.5   | 2.5   | -     | -     | -     | -     | -     | -          | 120 |
| 128       |  | -                 | -    | -    | -    | -    | -      | -     | -     | 1.8   | 2.0   | -     | -     | -     | -     | -     | -          | 128 |
| 1)        |  | 27.3              | 20.7 | 16.5 | 13.0 | 10.1 | 7.5    | 5.5   | 3.7   | 2.4   | -     | -     | -     | -     | -     | -     | -          | 1)  |

1) Capacities with horizontal boom

| 14,100 lb |  | 26.5 ft x 21.3 ft |      |      |      |      |      |       |       |       |       | 4.9 ft |       | 360°  |       | ASME B30.5 |       |     |  |
|-----------|--|-------------------|------|------|------|------|------|-------|-------|-------|-------|--------|-------|-------|-------|------------|-------|-----|--|
|           |  | (ft)              |      |      |      |      |      |       |       |       |       |        |       |       |       |            |       |     |  |
|           |  | 35.8              | 47.2 | 58.7 | 70.2 | 81.7 | 93.2 | 104.7 | 116.1 | 127.6 | 139.1 | 150.6  | 162.1 | 173.6 | 182.1 | 190.3      | 196.9 |     |  |
| ft        |  | 1,000 lb          |      |      |      |      |      |       |       |       |       |        |       |       |       |            | ft    |     |  |
| 10        |  | 58.6              | 58.6 | 58.6 | 58.6 | -    | -    | -     | -     | -     | -     | -      | -     | -     | -     | -          | -     | 10  |  |
| 12        |  | 58.6              | 58.6 | 58.6 | 58.6 | -    | -    | -     | -     | -     | -     | -      | -     | -     | -     | -          | -     | 12  |  |
| 14        |  | 58.6              | 58.6 | 58.6 | 58.6 | 58.6 | -    | -     | -     | -     | -     | -      | -     | -     | -     | -          | -     | 14  |  |
| 16        |  | 58.6              | 58.6 | 58.6 | 58.6 | 58.6 | -    | -     | -     | -     | -     | -      | -     | -     | -     | -          | -     | 16  |  |
| 18        |  | 58.6              | 58.6 | 58.6 | 58.6 | 58.6 | 56.0 | -     | -     | -     | -     | -      | -     | -     | -     | -          | -     | 18  |  |
| 20        |  | 58.6              | 58.6 | 58.6 | 58.6 | 58.5 | 54.2 | 49.9  | -     | -     | -     | -      | -     | -     | -     | -          | -     | 20  |  |
| 24        |  | 56.3              | 57.0 | 57.1 | 56.1 | 54.0 | 50.0 | 45.8  | 40.3  | -     | -     | -      | -     | -     | -     | -          | -     | 24  |  |
| 28        |  | 45.5              | 47.6 | 48.1 | 46.4 | 44.6 | 42.8 | 40.0  | 37.0  | 33.2  | -     | -      | -     | -     | -     | -          | -     | 28  |  |
| 32        |  | -                 | 36.9 | 37.5 | 38.4 | 37.8 | 35.3 | 33.7  | 31.8  | 30.5  | 27.0  | -      | -     | -     | -     | -          | -     | 32  |  |
| 36        |  | -                 | 30.2 | 31.9 | 32.1 | 31.5 | 29.9 | 28.9  | 27.5  | 26.6  | 24.2  | -      | -     | -     | -     | -          | -     | 36  |  |
| 40        |  | -                 | 20.6 | 26.1 | 26.3 | 25.8 | 26.5 | 25.6  | 24.0  | 23.4  | 22.2  | 20.7   | 19.0  | -     | -     | -          | -     | 40  |  |
| 48        |  | -                 | -    | 19.1 | 19.8 | 20.0 | 19.6 | 19.2  | 19.1  | 19.0  | 18.1  | 17.0   | 15.1  | 14.2  | 13.1  | 11.6       | -     | 48  |  |
| 56        |  | -                 | -    | -    | 15.3 | 15.3 | 15.5 | 15.1  | 15.1  | 14.8  | 14.0  | 13.0   | 12.3  | 10.6  | 9.8   | 9.6        | 9.3   | 56  |  |
| 64        |  | -                 | -    | -    | 12.1 | 12.3 | 12.3 | 12.1  | 11.8  | 11.4  | 11.3  | 10.0   | 9.4   | 7.8   | 7.1   | 6.7        | 6.7   | 64  |  |
| 72        |  | -                 | -    | -    | -    | 10.0 | 9.8  | 9.7   | 9.3   | 8.9   | 8.9   | 7.5    | 7.1   | 5.6   | 4.9   | 4.7        | 4.5   | 72  |  |
| 80        |  | -                 | -    | -    | -    | -    | 7.9  | 7.9   | 7.2   | 7.0   | 7.0   | 5.7    | 5.3   | 3.8   | 3.1   | 2.9        | 2.9   | 80  |  |
| 88        |  | -                 | -    | -    | -    | -    | -    | 6.3   | 5.7   | 5.3   | 5.4   | 4.2    | 4.0   | 2.5   | -     | -          | -     | 88  |  |
| 96        |  | -                 | -    | -    | -    | -    | -    | 5.0   | 4.5   | 4.1   | 4.1   | 3.0    | 2.8   | -     | -     | -          | -     | 96  |  |
| 104       |  | -                 | -    | -    | -    | -    | -    | 4.1   | 3.4   | 3.0   | 3.0   | 1.9    | 1.9   | -     | -     | -          | -     | 104 |  |
| 112       |  | -                 | -    | -    | -    | -    | -    | -     | -     | 2.2   | 2.2   | -      | -     | -     | -     | -          | -     | 112 |  |
| 1)        |  | 27.3              | 20.7 | 15.0 | 11.0 | 8.4  | 6.0  | 4.2   | 2.6   | -     | -     | -      | -     | -     | -     | -          | -     | 1)  |  |

| 7,300 lb |  | 26.5 ft x 21.3 ft |      |      |      |      |      |       |       |       |       | 4.9 ft |       | 360°  |       | ASME B30.5 |       |     |  |
|----------|--|-------------------|------|------|------|------|------|-------|-------|-------|-------|--------|-------|-------|-------|------------|-------|-----|--|
|          |  | (ft)              |      |      |      |      |      |       |       |       |       |        |       |       |       |            |       |     |  |
|          |  | 35.8              | 47.2 | 58.7 | 70.2 | 81.7 | 93.2 | 104.7 | 116.1 | 127.6 | 139.1 | 150.6  | 162.1 | 173.6 | 182.1 | 190.3      | 196.9 |     |  |
| ft       |  | 1,000 lb          |      |      |      |      |      |       |       |       |       |        |       |       |       |            | ft    |     |  |
| 10       |  | 58.6              | 58.6 | 58.6 | 58.6 | -    | -    | -     | -     | -     | -     | -      | -     | -     | -     | -          | -     | 10  |  |
| 12       |  | 58.6              | 58.6 | 58.6 | 58.6 | -    | -    | -     | -     | -     | -     | -      | -     | -     | -     | -          | -     | 12  |  |
| 14       |  | 58.6              | 58.6 | 58.6 | 58.6 | 58.6 | -    | -     | -     | -     | -     | -      | -     | -     | -     | -          | -     | 14  |  |
| 16       |  | 58.6              | 58.6 | 58.6 | 58.6 | 58.6 | -    | -     | -     | -     | -     | -      | -     | -     | -     | -          | -     | 16  |  |
| 18       |  | 58.6              | 58.6 | 58.6 | 58.6 | 58.6 | 56.0 | -     | -     | -     | -     | -      | -     | -     | -     | -          | -     | 18  |  |
| 20       |  | 58.5              | 58.6 | 58.5 | 58.1 | 57.7 | 53.8 | 49.7  | -     | -     | -     | -      | -     | -     | -     | -          | -     | 20  |  |
| 24       |  | 53.1              | 54.6 | 53.5 | 50.1 | 47.7 | 45.5 | 42.4  | 38.6  | -     | -     | -      | -     | -     | -     | -          | -     | 24  |  |
| 28       |  | 38.6              | 40.8 | 41.2 | 41.3 | 39.3 | 36.6 | 34.9  | 32.9  | 29.4  | -     | -      | -     | -     | -     | -          | -     | 28  |  |
| 32       |  | -                 | 31.7 | 33.2 | 33.2 | 32.3 | 30.9 | 29.9  | 27.8  | 26.8  | 22.6  | -      | -     | -     | -     | -          | -     | 32  |  |
| 36       |  | -                 | 26.2 | 27.2 | 27.2 | 26.8 | 26.7 | 25.6  | 24.5  | 23.4  | 21.9  | -      | -     | -     | -     | -          | -     | 36  |  |
| 40       |  | -                 | 16.4 | 22.2 | 23.3 | 23.1 | 22.6 | 22.2  | 21.4  | 21.2  | 19.6  | 18.3   | 16.2  | -     | -     | -          | -     | 40  |  |
| 48       |  | -                 | -    | 16.4 | 16.9 | 16.8 | 17.0 | 17.0  | 16.6  | 15.9  | 14.9  | 13.6   | 12.8  | 11.0  | 10.1  | 9.9        | -     | 48  |  |
| 56       |  | -                 | -    | -    | 12.8 | 13.0 | 12.9 | 12.8  | 12.5  | 12.1  | 11.8  | 10.2   | 9.4   | 7.7   | 7.0   | 6.6        | 6.5   | 56  |  |
| 64       |  | -                 | -    | -    | 9.8  | 10.2 | 10.0 | 10.0  | 9.4   | 9.1   | 8.9   | 7.5    | 6.8   | 5.1   | 4.5   | 4.2        | 4.2   | 64  |  |
| 72       |  | -                 | -    | -    | -    | 8.0  | 7.8  | 7.8   | 7.1   | 6.9   | 6.9   | 5.3    | 4.9   | 3.1   | 2.7   | 2.2        | 2.2   | 72  |  |
| 80       |  | -                 | -    | -    | -    | -    | 6.0  | 6.0   | 5.5   | 5.1   | 5.1   | 3.8    | 3.3   | -     | -     | -          | -     | 80  |  |
| 88       |  | -                 | -    | -    | -    | -    | -    | 4.6   | 4.0   | 3.7   | 3.7   | 2.6    | 2.1   | -     | -     | -          | -     | 88  |  |
| 96       |  | -                 | -    | -    | -    | -    | -    | 3.6   | 3.0   | 2.7   | 2.7   | -      | -     | -     | -     | -          | -     | 96  |  |
| 104      |  | -                 | -    | -    | -    | -    | -    | 2.7   | 2.1   | 1.7   | 1.7   | -      | -     | -     | -     | -          | -     | 104 |  |
| 1)       |  | 27.3              | 17.6 | 12.3 | 8.8  | 6.6  | 4.4  | 2.9   | -     | -     | -     | -      | -     | -     | -     | -          | -     | 1)  |  |

1) Capacities with horizontal boom

| ☰ 39,000 lb |  | ☰ 26.5 ft x 14.7 ft |      | ☰ 4.9 ft |      | 360° |      | ASME B30.5 |       |       |       |       |       |       |       |       |       |     |     |
|-------------|--|---------------------|------|----------|------|------|------|------------|-------|-------|-------|-------|-------|-------|-------|-------|-------|-----|-----|
| ↙ ↘         |  | (ft)                |      |          |      |      |      |            |       |       |       |       |       |       |       |       |       | ↙ ↘ |     |
| ft          |  | 35.8                | 47.2 | 58.7     | 70.2 | 81.7 | 93.2 | 104.7      | 116.1 | 127.6 | 139.1 | 150.6 | 162.1 | 173.6 | 182.1 | 190.3 | 196.9 | ft  |     |
|             |  | 1,000 lb            |      |          |      |      |      |            |       |       |       |       |       |       |       |       |       |     |     |
| 10          |  | 58.6                | 58.6 | 58.6     | 58.6 | -    | -    | -          | -     | -     | -     | -     | -     | -     | -     | -     | -     | -   | 10  |
| 12          |  | 58.6                | 58.6 | 58.6     | 58.6 | -    | -    | -          | -     | -     | -     | -     | -     | -     | -     | -     | -     | -   | 12  |
| 14          |  | 58.6                | 58.6 | 58.6     | 58.6 | 58.6 | -    | -          | -     | -     | -     | -     | -     | -     | -     | -     | -     | -   | 14  |
| 16          |  | 58.6                | 58.6 | 58.6     | 58.6 | 58.6 | -    | -          | -     | -     | -     | -     | -     | -     | -     | -     | -     | -   | 16  |
| 18          |  | 58.6                | 58.6 | 58.6     | 58.6 | 57.5 | 56.0 | -          | -     | -     | -     | -     | -     | -     | -     | -     | -     | -   | 18  |
| 20          |  | 57.7                | 57.8 | 57.9     | 57.8 | 55.3 | 53.6 | 49.6       | -     | -     | -     | -     | -     | -     | -     | -     | -     | -   | 20  |
| 24          |  | 45.4                | 47.1 | 47.4     | 47.1 | 46.6 | 43.8 | 41.3       | 37.9  | -     | -     | -     | -     | -     | -     | -     | -     | -   | 24  |
| 28          |  | 35.2                | 36.6 | 37.9     | 38.0 | 37.7 | 36.3 | 34.9       | 33.2  | 30.1  | -     | -     | -     | -     | -     | -     | -     | -   | 28  |
| 32          |  | -                   | 30.0 | 30.6     | 30.8 | 30.4 | 30.4 | 30.1       | 28.9  | 27.3  | 24.6  | -     | -     | -     | -     | -     | -     | -   | 32  |
| 36          |  | -                   | 25.2 | 25.9     | 26.0 | 25.9 | 26.2 | 25.6       | 24.8  | 24.3  | 23.2  | -     | -     | -     | -     | -     | -     | -   | 36  |
| 40          |  | -                   | 17.6 | 21.8     | 22.5 | 22.5 | 22.0 | 22.3       | 21.8  | 21.8  | 21.4  | 20.3  | 18.0  | -     | -     | -     | -     | -   | 40  |
| 48          |  | -                   | -    | 16.7     | 17.0 | 17.0 | 17.3 | 17.2       | 16.8  | 16.6  | 16.2  | 15.7  | 14.7  | 13.9  | 13.1  | 11.7  | -     | -   | 48  |
| 56          |  | -                   | -    | -        | 13.4 | 13.6 | 13.6 | 13.5       | 13.1  | 12.9  | 12.9  | 12.2  | 12.0  | 10.9  | 10.3  | 10.1  | 9.8   | -   | 56  |
| 64          |  | -                   | -    | -        | 10.8 | 11.0 | 10.9 | 10.9       | 10.6  | 10.2  | 10.2  | 9.5   | 9.5   | 8.4   | 7.9   | 7.7   | 7.7   | -   | 64  |
| 72          |  | -                   | -    | -        | -    | 9.1  | 8.9  | 8.9        | 8.4   | 8.2   | 8.2   | 7.5   | 7.5   | 6.4   | 6.0   | 5.8   | 5.8   | -   | 72  |
| 80          |  | -                   | -    | -        | -    | -    | 7.3  | 7.3        | 7.1   | 6.8   | 6.8   | 6.0   | 6.0   | 4.9   | 4.4   | 4.2   | 4.2   | -   | 80  |
| 88          |  | -                   | -    | -        | -    | -    | 2.9  | 6.3        | 5.8   | 5.6   | 5.6   | 4.7   | 4.7   | 3.6   | 3.2   | 2.9   | 2.9   | -   | 88  |
| 96          |  | -                   | -    | -        | -    | -    | -    | 5.2        | 4.9   | 4.5   | 4.5   | 3.8   | 3.6   | 2.5   | 2.1   | 1.9   | 1.9   | -   | 96  |
| 104         |  | -                   | -    | -        | -    | -    | -    | 4.3        | 4.1   | 3.6   | 3.6   | 2.8   | 2.7   | -     | -     | -     | -     | -   | 104 |
| 112         |  | -                   | -    | -        | -    | -    | -    | -          | -     | 3.0   | 3.0   | -     | -     | -     | -     | -     | -     | -   | 112 |
| 120         |  | -                   | -    | -        | -    | -    | -    | -          | -     | 2.2   | 2.3   | -     | -     | -     | -     | -     | -     | -   | 120 |
| 1)          |  | 27.1                | 18.1 | 13.2     | 9.9  | 7.7  | 6.0  | 4.6        | 3.3   | 2.0   | -     | -     | -     | -     | -     | -     | -     | -   | 1)  |

| ☰ 20,500 lb |  | ☰ 26.5 ft x 14.7 ft |      | ☰ 4.9 ft |      | 360° |      | ASME B30.5 |       |       |       |       |       |       |       |       |       |     |     |
|-------------|--|---------------------|------|----------|------|------|------|------------|-------|-------|-------|-------|-------|-------|-------|-------|-------|-----|-----|
| ↙ ↘         |  | (ft)                |      |          |      |      |      |            |       |       |       |       |       |       |       |       |       | ↙ ↘ |     |
| ft          |  | 35.8                | 47.2 | 58.7     | 70.2 | 81.7 | 93.2 | 104.7      | 116.1 | 127.6 | 139.1 | 150.6 | 162.1 | 173.6 | 182.1 | 190.3 | 196.9 | ft  |     |
|             |  | 1,000 lb            |      |          |      |      |      |            |       |       |       |       |       |       |       |       |       |     |     |
| 10          |  | 58.6                | 58.6 | 58.6     | 58.6 | -    | -    | -          | -     | -     | -     | -     | -     | -     | -     | -     | -     | -   | 10  |
| 12          |  | 58.6                | 58.6 | 58.6     | 58.6 | -    | -    | -          | -     | -     | -     | -     | -     | -     | -     | -     | -     | -   | 12  |
| 14          |  | 58.6                | 58.6 | 58.6     | 58.6 | 58.3 | -    | -          | -     | -     | -     | -     | -     | -     | -     | -     | -     | -   | 14  |
| 16          |  | 58.6                | 58.6 | 58.6     | 58.6 | 56.0 | 54.0 | -          | -     | -     | -     | -     | -     | -     | -     | -     | -     | -   | 16  |
| 18          |  | 52.5                | 53.4 | 53.2     | 50.2 | 47.9 | 44.8 | -          | -     | -     | -     | -     | -     | -     | -     | -     | -     | -   | 18  |
| 20          |  | 45.0                | 46.7 | 46.9     | 45.1 | 42.1 | 39.9 | 37.8       | -     | -     | -     | -     | -     | -     | -     | -     | -     | -   | 20  |
| 24          |  | 32.5                | 34.7 | 35.5     | 35.6 | 34.4 | 33.2 | 31.4       | 29.8  | -     | -     | -     | -     | -     | -     | -     | -     | -   | 24  |
| 28          |  | 24.6                | 26.7 | 27.4     | 28.0 | 28.3 | 27.4 | 26.9       | 25.7  | 24.0  | -     | -     | -     | -     | -     | -     | -     | -   | 28  |
| 32          |  | -                   | 21.3 | 22.4     | 22.8 | 22.7 | 23.0 | 22.7       | 21.9  | 20.8  | 18.9  | -     | -     | -     | -     | -     | -     | -   | 32  |
| 36          |  | -                   | 17.6 | 18.9     | 19.1 | 19.4 | 19.3 | 19.1       | 18.7  | 17.9  | 17.1  | -     | -     | -     | -     | -     | -     | -   | 36  |
| 40          |  | -                   | 11.1 | 15.7     | 16.0 | 16.4 | 16.0 | 16.2       | 15.7  | 15.3  | 15.1  | 13.6  | 12.7  | -     | -     | -     | -     | -   | 40  |
| 48          |  | -                   | -    | 11.5     | 11.7 | 12.2 | 12.0 | 12.0       | 11.5  | 11.3  | 11.3  | 10.1  | 9.4   | 7.9   | 7.3   | 7.1   | -     | -   | 48  |
| 56          |  | -                   | -    | -        | 9.0  | 9.3  | 9.1  | 9.1        | 8.6   | 8.4   | 8.4   | 7.7   | 7.0   | 5.6   | 5.0   | 4.8   | 4.8   | -   | 56  |
| 64          |  | -                   | -    | -        | 7.0  | 7.2  | 7.0  | 7.0        | 6.7   | 6.5   | 6.5   | 5.7   | 5.0   | 3.7   | 3.0   | 2.8   | 2.8   | -   | 64  |
| 72          |  | -                   | -    | -        | -    | 5.8  | 5.5  | 5.5        | 5.1   | 4.9   | 4.9   | 4.0   | 3.6   | 2.2   | 1.6   | -     | -     | -   | 72  |
| 80          |  | -                   | -    | -        | -    | -    | 4.5  | 4.5        | 4.0   | 3.8   | 3.8   | 2.7   | 2.3   | -     | -     | -     | -     | -   | 80  |
| 88          |  | -                   | -    | -        | -    | -    | -    | 3.5        | 3.0   | 2.7   | 2.8   | -     | -     | -     | -     | -     | -     | -   | 88  |
| 96          |  | -                   | -    | -        | -    | -    | -    | 2.7        | 2.2   | 1.8   | 1.9   | -     | -     | -     | -     | -     | -     | -   | 96  |
| 104         |  | -                   | -    | -        | -    | -    | -    | 1.9        | -     | -     | -     | -     | -     | -     | -     | -     | -     | -   | 104 |
| 1)          |  | 18.5                | 12.1 | 8.8      | 6.4  | 4.6  | 3.3  | 2.2        | -     | -     | -     | -     | -     | -     | -     | -     | -     | -   | 1)  |

1) Capacities with horizontal boom

| 14,100 lb |  | 26.5 ft x 14.7 ft |      | 4.9 ft |      | 360° |      | ASME B30.5 |       |       |       |       |       |       |       |       |       |    |  |
|-----------|--|-------------------|------|--------|------|------|------|------------|-------|-------|-------|-------|-------|-------|-------|-------|-------|----|--|
|           |  | (ft)              |      |        |      |      |      |            |       |       |       |       |       |       |       |       |       |    |  |
|           |  | 35.8              | 47.2 | 58.7   | 70.2 | 81.7 | 93.2 | 104.7      | 116.1 | 127.6 | 139.1 | 150.6 | 162.1 | 173.6 | 182.1 | 190.3 | 196.9 |    |  |
| ft        |  | 1,000 lb          |      |        |      |      |      |            |       |       |       |       |       |       |       |       |       | ft |  |
| 10        |  | 58.6              | 58.6 | 58.6   | 58.6 | -    | -    | -          | -     | -     | -     | -     | -     | -     | -     | -     | -     | 10 |  |
| 12        |  | 58.6              | 58.6 | 58.6   | 58.6 | -    | -    | -          | -     | -     | -     | -     | -     | -     | -     | -     | -     | 12 |  |
| 14        |  | 58.6              | 58.6 | 58.6   | 57.2 | 55.2 | -    | -          | -     | -     | -     | -     | -     | -     | -     | -     | -     | 14 |  |
| 16        |  | 57.6              | 56.8 | 54.0   | 51.7 | 47.8 | -    | -          | -     | -     | -     | -     | -     | -     | -     | -     | -     | 16 |  |
| 18        |  | 49.0              | 49.3 | 47.3   | 45.3 | 42.3 | 39.7 | -          | -     | -     | -     | -     | -     | -     | -     | -     | -     | 18 |  |
| 20        |  | 39.2              | 41.6 | 41.8   | 39.4 | 37.7 | 35.8 | 33.9       | -     | -     | -     | -     | -     | -     | -     | -     | -     | 20 |  |
| 24        |  | 28.0              | 30.1 | 31.0   | 31.4 | 30.8 | 29.4 | 28.4       | 25.9  | -     | -     | -     | -     | -     | -     | -     | -     | 24 |  |
| 28        |  | 21.1              | 23.1 | 24.3   | 24.7 | 24.7 | 24.6 | 23.6       | 22.3  | 20.6  | -     | -     | -     | -     | -     | -     | -     | 28 |  |
| 32        |  | -                 | 18.3 | 19.6   | 19.8 | 20.0 | 20.0 | 19.7       | 18.7  | 17.8  | 17.1  | -     | -     | -     | -     | -     | -     | 32 |  |
| 36        |  | -                 | 15.1 | 16.3   | 16.5 | 16.9 | 16.7 | 16.6       | 15.9  | 15.4  | 14.8  | -     | -     | -     | -     | -     | -     | 36 |  |
| 40        |  | -                 | 8.7  | 13.4   | 13.6 | 14.0 | 13.8 | 13.8       | 13.4  | 13.1  | 12.7  | 11.0  | 10.3  | -     | -     | -     | -     | 40 |  |
| 48        |  | -                 | -    | 9.8    | 9.9  | 10.3 | 10.1 | 10.1       | 9.7   | 9.4   | 9.4   | 8.0   | 7.4   | 5.8   | 5.3   | 5.1   | -     | 48 |  |
| 56        |  | -                 | -    | -      | 7.4  | 7.9  | 7.7  | 7.7        | 7.2   | 7.0   | 7.0   | 5.8   | 5.2   | 3.8   | 3.1   | 2.9   | -     | 56 |  |
| 64        |  | -                 | -    | -      | 5.6  | 6.1  | 5.8  | 5.8        | 5.4   | 5.2   | 5.2   | 3.9   | 3.4   | 2.1   | -     | -     | -     | 64 |  |
| 72        |  | -                 | -    | -      | -    | 4.7  | 4.4  | 4.4        | 4.0   | 3.8   | 3.8   | 2.5   | 2.0   | -     | -     | -     | -     | 72 |  |
| 80        |  | -                 | -    | -      | -    | -    | 3.4  | 3.4        | 2.9   | 2.7   | 2.7   | -     | -     | -     | -     | -     | -     | 80 |  |
| 88        |  | -                 | -    | -      | -    | -    | -    | 2.5        | 1.9   | -     | -     | -     | -     | -     | -     | -     | -     | 88 |  |
| 1)        |  | 15.7              | 10.1 | 7.3    | 5.1  | 3.7  | 2.4  | -          | -     | -     | -     | -     | -     | -     | -     | -     | -     | 1) |  |

| 7,300 lb |  | 26.5 ft x 14.7 ft |      | 4.9 ft |      | 360° |      | ASME B30.5 |       |       |       |       |       |       |       |       |       |    |  |
|----------|--|-------------------|------|--------|------|------|------|------------|-------|-------|-------|-------|-------|-------|-------|-------|-------|----|--|
|          |  | (ft)              |      |        |      |      |      |            |       |       |       |       |       |       |       |       |       |    |  |
|          |  | 35.8              | 47.2 | 58.7   | 70.2 | 81.7 | 93.2 | 104.7      | 116.1 | 127.6 | 139.1 | 150.6 | 162.1 | 173.6 | 182.1 | 190.3 | 196.9 |    |  |
| ft       |  | 1,000 lb          |      |        |      |      |      |            |       |       |       |       |       |       |       |       |       | ft |  |
| 10       |  | 58.6              | 58.6 | 58.6   | 58.6 | -    | -    | -          | -     | -     | -     | -     | -     | -     | -     | -     | -     | 10 |  |
| 12       |  | 58.6              | 58.6 | 58.6   | 57.9 | -    | -    | -          | -     | -     | -     | -     | -     | -     | -     | -     | -     | 12 |  |
| 14       |  | 58.6              | 57.0 | 54.8   | 52.2 | 47.7 | -    | -          | -     | -     | -     | -     | -     | -     | -     | -     | -     | 14 |  |
| 16       |  | 51.0              | 49.9 | 47.7   | 44.4 | 41.6 | -    | -          | -     | -     | -     | -     | -     | -     | -     | -     | -     | 16 |  |
| 18       |  | 41.2              | 42.2 | 41.4   | 38.7 | 36.9 | 34.5 | -          | -     | -     | -     | -     | -     | -     | -     | -     | -     | 18 |  |
| 20       |  | 32.7              | 35.3 | 35.6   | 34.7 | 32.5 | 31.2 | 29.1       | -     | -     | -     | -     | -     | -     | -     | -     | -     | 20 |  |
| 24       |  | 23.2              | 25.3 | 26.6   | 27.2 | 26.5 | 25.2 | 24.0       | 21.6  | -     | -     | -     | -     | -     | -     | -     | -     | 24 |  |
| 28       |  | 17.2              | 19.1 | 20.7   | 20.9 | 21.2 | 20.7 | 19.7       | 18.5  | 17.1  | -     | -     | -     | -     | -     | -     | -     | 28 |  |
| 32       |  | -                 | 15.0 | 16.4   | 16.5 | 17.1 | 16.7 | 16.5       | 15.5  | 14.6  | 13.9  | -     | -     | -     | -     | -     | -     | 32 |  |
| 36       |  | -                 | 12.2 | 13.5   | 13.6 | 14.2 | 13.8 | 13.7       | 13.2  | 12.4  | 11.8  | -     | -     | -     | -     | -     | -     | 36 |  |
| 40       |  | -                 | 6.3  | 11.0   | 11.2 | 11.6 | 11.4 | 11.4       | 11.0  | 10.3  | 9.9   | 8.4   | 7.7   | -     | -     | -     | -     | 40 |  |
| 48       |  | -                 | -    | 7.8    | 8.0  | 8.4  | 8.2  | 8.2        | 7.8   | 7.5   | 7.2   | 5.6   | 5.2   | -     | -     | -     | -     | 48 |  |
| 56       |  | -                 | -    | -      | 5.8  | 6.2  | 6.0  | 6.0        | 5.6   | 5.3   | 5.1   | 3.7   | 3.1   | -     | -     | -     | -     | 56 |  |
| 64       |  | -                 | -    | -      | 4.2  | 4.7  | 4.3  | 4.5        | 4.0   | 3.8   | 3.4   | 2.1   | -     | -     | -     | -     | -     | 64 |  |
| 72       |  | -                 | -    | -      | -    | 3.3  | 3.1  | 3.1        | 2.7   | 2.5   | 2.2   | -     | -     | -     | -     | -     | -     | 72 |  |
| 80       |  | -                 | -    | -      | -    | -    | 2.1  | 2.1        | -     | -     | -     | -     | -     | -     | -     | -     | -     | 80 |  |
| 1)       |  | 12.6              | 7.9  | 5.5    | 3.7  | 2.4  | -    | -          | -     | -     | -     | -     | -     | -     | -     | -     | -     | 1) |  |

1) Capacities with horizontal boom

| ☰ 20,500 lb |  | ☰ 26.5 ft x 10.4 ft |      |      |      |      |      |       |       |       |       | 4.9 ft | 360°  |       |       |       | ASME B30.5 |    |
|-------------|--|---------------------|------|------|------|------|------|-------|-------|-------|-------|--------|-------|-------|-------|-------|------------|----|
| ↙ ↘         |  | (ft)                |      |      |      |      |      |       |       |       |       |        |       |       |       |       | ↙ ↘        |    |
| ft          |  | 35.8                | 47.2 | 58.7 | 70.2 | 81.7 | 93.2 | 104.7 | 116.1 | 127.6 | 139.1 | 150.6  | 162.1 | 173.6 | 182.1 | 190.3 | 196.9      | ft |
|             |  | 1,000 lb            |      |      |      |      |      |       |       |       |       |        |       |       |       |       |            |    |
| 10          |  | 58.6                | 58.6 | 58.6 | 58.2 | -    | -    | -     | -     | -     | -     | -      | -     | -     | -     | -     | -          | 10 |
| 12          |  | 58.6                | 57.5 | 56.5 | 53.5 | -    | -    | -     | -     | -     | -     | -      | -     | -     | -     | -     | -          | 12 |
| 14          |  | 53.5                | 51.2 | 49.1 | 45.7 | 42.8 | -    | -     | -     | -     | -     | -      | -     | -     | -     | -     | -          | 14 |
| 16          |  | 42.6                | 44.2 | 42.1 | 39.9 | 37.9 | -    | -     | -     | -     | -     | -      | -     | -     | -     | -     | -          | 16 |
| 18          |  | 35.3                | 37.4 | 36.8 | 35.6 | 33.7 | 32.3 | -     | -     | -     | -     | -      | -     | -     | -     | -     | -          | 18 |
| 20          |  | 29.1                | 31.1 | 32.4 | 31.6 | 30.4 | 28.7 | 26.9  | -     | -     | -     | -      | -     | -     | -     | -     | -          | 20 |
| 24          |  | 21.2                | 23.2 | 24.6 | 24.9 | 24.6 | 23.6 | 22.4  | 20.4  | -     | -     | -      | -     | -     | -     | -     | -          | 24 |
| 28          |  | 16.2                | 18.0 | 19.3 | 19.5 | 19.9 | 19.5 | 18.9  | 17.7  | 16.3  | -     | -      | -     | -     | -     | -     | -          | 28 |
| 32          |  | -                   | 14.3 | 15.6 | 15.7 | 16.1 | 15.9 | 15.8  | 14.9  | 13.9  | 13.5  | -      | -     | -     | -     | -     | -          | 32 |
| 36          |  | -                   | 11.8 | 13.1 | 13.2 | 13.5 | 13.3 | 13.3  | 12.7  | 11.9  | 11.6  | -      | -     | -     | -     | -     | -          | 36 |
| 40          |  | -                   | 6.4  | 10.8 | 11.0 | 11.2 | 11.0 | 11.0  | 10.8  | 10.1  | 9.9   | 8.4    | 7.7   | -     | -     | -     | -          | 40 |
| 48          |  | -                   | -    | 7.8  | 8.0  | 8.3  | 8.0  | 8.0   | 7.8   | 7.4   | 7.3   | 5.8    | 5.4   | -     | -     | -     | -          | 48 |
| 56          |  | -                   | -    | -    | 5.8  | 6.2  | 6.0  | 6.0   | 5.6   | 5.3   | 5.2   | 3.9    | 3.4   | -     | -     | -     | -          | 56 |
| 64          |  | -                   | -    | -    | 4.2  | 4.7  | 4.5  | 4.5   | 4.0   | 3.8   | 3.6   | 2.3    | -     | -     | -     | -     | -          | 64 |
| 72          |  | -                   | -    | -    | -    | 3.6  | 3.3  | 3.3   | 2.9   | 2.7   | 2.4   | -      | -     | -     | -     | -     | -          | 72 |
| 80          |  | -                   | -    | -    | -    | -    | 2.3  | 2.3   | -     | -     | -     | -      | -     | -     | -     | -     | -          | 80 |
| 1)          |  | 12.1                | 7.9  | 5.5  | 4.0  | 2.6  | -    | -     | -     | -     | -     | -      | -     | -     | -     | -     | -          | 1) |

1) Capacities with horizontal boom

| 14,100 lb |  | 26.5 ft x 10.4 ft |      |      |      |      |      |       |       |       |       | 4.9 ft |       | 360°  |       | ASME B30.5 |       |    |  |
|-----------|--|-------------------|------|------|------|------|------|-------|-------|-------|-------|--------|-------|-------|-------|------------|-------|----|--|
|           |  | (ft)              |      |      |      |      |      |       |       |       |       |        |       |       |       |            |       |    |  |
|           |  | 35.8              | 47.2 | 58.7 | 70.2 | 81.7 | 93.2 | 104.7 | 116.1 | 127.6 | 139.1 | 150.6  | 162.1 | 173.6 | 182.1 | 190.3      | 196.9 |    |  |
| ft        |  | 1,000 lb          |      |      |      |      |      |       |       |       |       |        |       |       |       |            | ft    |    |  |
| 10        |  | 58.6              | 58.4 | 58.1 | 53.9 | -    | -    | -     | -     | -     | -     | -      | -     | -     | -     | -          | -     | 10 |  |
| 12        |  | 56.1              | 53.6 | 50.6 | 47.1 | -    | -    | -     | -     | -     | -     | -      | -     | -     | -     | -          | -     | 12 |  |
| 14        |  | 46.1              | 45.2 | 42.6 | 40.3 | 37.8 | -    | -     | -     | -     | -     | -      | -     | -     | -     | -          | -     | 14 |  |
| 16        |  | 36.6              | 38.3 | 36.6 | 35.1 | 33.3 | -    | -     | -     | -     | -     | -      | -     | -     | -     | -          | -     | 16 |  |
| 18        |  | 30.1              | 32.3 | 32.4 | 31.1 | 29.6 | 27.9 | -     | -     | -     | -     | -      | -     | -     | -     | -          | -     | 18 |  |
| 20        |  | 24.6              | 26.7 | 28.1 | 27.3 | 26.3 | 24.8 | 23.0  | -     | -     | -     | -      | -     | -     | -     | -          | -     | 20 |  |
| 24        |  | 17.9              | 19.8 | 21.1 | 21.3 | 21.2 | 20.1 | 19.2  | 17.2  | -     | -     | -      | -     | -     | -     | -          | -     | 24 |  |
| 28        |  | 13.3              | 15.1 | 16.4 | 16.7 | 17.1 | 16.6 | 15.9  | 14.8  | 13.5  | -     | -      | -     | -     | -     | -          | -     | 28 |  |
| 32        |  | -                 | 11.8 | 13.2 | 13.4 | 13.8 | 13.6 | 13.3  | 12.3  | 11.5  | 11.0  | -      | -     | -     | -     | -          | -     | 32 |  |
| 36        |  | -                 | 9.6  | 10.9 | 11.1 | 11.5 | 11.3 | 11.1  | 10.5  | 9.7   | 9.3   | -      | -     | -     | -     | -          | -     | 36 |  |
| 40        |  | -                 | 4.4  | 8.8  | 9.0  | 9.5  | 9.2  | 9.2   | 8.8   | 8.2   | 7.7   | 6.4    | 5.8   | -     | -     | -          | -     | 40 |  |
| 48        |  | -                 | -    | 6.3  | 6.3  | 6.7  | 6.5  | 6.6   | 6.1   | 5.8   | 5.4   | 4.1    | 3.5   | -     | -     | -          | -     | 48 |  |
| 56        |  | -                 | -    | -    | 4.6  | 4.9  | 4.7  | 4.8   | 4.4   | 3.9   | 3.5   | 2.3    | -     | -     | -     | -          | -     | 56 |  |
| 64        |  | -                 | -    | -    | 3.3  | 3.6  | 3.4  | 3.4   | 2.9   | 2.5   | 2.2   | -      | -     | -     | -     | -          | -     | 64 |  |
| 72        |  | -                 | -    | -    | -    | 2.4  | 2.2  | 2.2   | 1.8   | -     | -     | -      | -     | -     | -     | -          | -     | 72 |  |
| 1)        |  | 9.7               | 6.2  | 4.4  | 2.9  | 1.5  | -    | -     | -     | -     | -     | -      | -     | -     | -     | -          | -     | 1) |  |

| 7,300 lb |  | 26.5 ft x 10.4 ft |      |      |      |      |      |       |       |       |       | 4.9 ft |       | 360°  |       | ASME B30.5 |       |    |  |
|----------|--|-------------------|------|------|------|------|------|-------|-------|-------|-------|--------|-------|-------|-------|------------|-------|----|--|
|          |  | (ft)              |      |      |      |      |      |       |       |       |       |        |       |       |       |            |       |    |  |
|          |  | 35.8              | 47.2 | 58.7 | 70.2 | 81.7 | 93.2 | 104.7 | 116.1 | 127.6 | 139.1 | 150.6  | 162.1 | 173.6 | 182.1 | 190.3      | 196.9 |    |  |
| ft       |  | 1,000 lb          |      |      |      |      |      |       |       |       |       |        |       |       |       |            | ft    |    |  |
| 10       |  | 57.9              | 56.8 | 52.1 | 45.4 | -    | -    | -     | -     | -     | -     | -      | -     | -     | -     | -          | -     | 10 |  |
| 12       |  | 47.8              | 45.8 | 42.6 | 40.4 | -    | -    | -     | -     | -     | -     | -      | -     | -     | -     | -          | -     | 12 |  |
| 14       |  | 38.2              | 37.8 | 36.3 | 34.2 | 31.7 | -    | -     | -     | -     | -     | -      | -     | -     | -     | -          | -     | 14 |  |
| 16       |  | 30.2              | 31.8 | 31.0 | 29.4 | 27.9 | -    | -     | -     | -     | -     | -      | -     | -     | -     | -          | -     | 16 |  |
| 18       |  | 24.7              | 26.7 | 27.0 | 25.8 | 24.7 | 23.1 | -     | -     | -     | -     | -      | -     | -     | -     | -          | -     | 18 |  |
| 20       |  | 20.0              | 22.0 | 23.3 | 22.5 | 21.7 | 20.4 | 18.9  | -     | -     | -     | -      | -     | -     | -     | -          | -     | 20 |  |
| 24       |  | 14.1              | 16.0 | 17.3 | 17.6 | 17.4 | 16.4 | 15.6  | 13.6  | -     | -     | -      | -     | -     | -     | -          | -     | 24 |  |
| 28       |  | 10.3              | 12.0 | 13.4 | 13.6 | 13.9 | 13.4 | 12.7  | 11.7  | 10.5  | -     | -      | -     | -     | -     | -          | -     | 28 |  |
| 32       |  | -                 | 9.3  | 10.6 | 10.7 | 11.1 | 10.8 | 10.5  | 9.6   | 9.0   | 8.3   | -      | -     | -     | -     | -          | -     | 32 |  |
| 36       |  | -                 | 7.4  | 8.6  | 8.7  | 9.2  | 9.0  | 8.7   | 8.1   | 7.3   | 6.9   | -      | -     | -     | -     | -          | -     | 36 |  |
| 40       |  | -                 | -    | 6.9  | 7.1  | 7.5  | 7.3  | 7.1   | 6.6   | 5.8   | 5.5   | -      | -     | -     | -     | -          | -     | 40 |  |
| 48       |  | -                 | -    | 4.6  | 4.8  | 5.1  | 4.9  | 4.9   | 4.4   | 3.7   | 3.3   | -      | -     | -     | -     | -          | -     | 48 |  |
| 56       |  | -                 | -    | -    | 3.2  | 3.6  | 3.4  | 3.3   | 2.7   | 2.1   | -     | -      | -     | -     | -     | -          | -     | 56 |  |
| 64       |  | -                 | -    | -    | 1.8  | 2.3  | 2.0  | 2.0   | -     | -     | -     | -      | -     | -     | -     | -          | -     | 64 |  |
| 1)       |  | 7.1               | 4.4  | 2.9  | 1.5  | -    | -    | -     | -     | -     | -     | -      | -     | -     | -     | -          | -     | 1) |  |

1) Capacities with horizontal boom

Ratings are in compliance with ASME B30.5.  
Lifting capacities do not exceed 85 % of tipping load.

Weight of hook blocks and slings is part of the load, and is to be deducted from the capacity ratings.  
Consult operation manual for further details.

**Note:** Data published herein is intended as a guide only and shall not be construed to warrant applicability for lifting purposes.  
Crane operation is subject to the computer charts and operation manual both supplied with the crane.



A large rectangular area with horizontal lines, intended for taking notes.

## Basic machine

### Equipment carrier

|  |  |
|--|--|
| <b>Engine 340-5</b>                    | Mercedes-Benz OM471; Diesel engine; 340 kW / 1700 <sup>1</sup> /min (462 HP), torque 2200 Nm / 1000 <sup>1</sup> /min; The engine complies with EU Stage V/Tier 4F; Exhaust system complete stainless steel with SCR catalyzer.                          |
| <b>Fuel tank</b>                       | 92.5 gallons Diesel (no RME / biodiesel); 11 gallons Ad-Blue tank.   |
| <b>Transmission G230</b>               | Mercedes-Benz G230-12; Automated gearbox with 12 forward speeds and 2 reverse; 2-stage transfer case with switchable longitudinal lock.  |
| <b>Axles 8 x 4 x 8</b>                 | 8 x 4 x 8; 4 axles, axles 1 and 4 driven and equipped with selectable transverse lock; All axles steered.  |
| <b>Suspension</b>                      | Hydropneumatic suspension with axle load compensation; Hydraulically lockable; Manual or automatic levelling alternatively.  |
| <b>Steering</b>                        | Dual circuit hydro servocom steering with emergency steering pump; Active rear axle steering.  |
| <b>Brakes</b>                          | Pneumatic dual circuit service brake with antilock system, acting on all wheels; Disc brakes; additional, double-speed decompression brake; Spring-loaded parking brake.   |
| <b>Tire size 385/95 R25 (14.00R25)</b> | Tires size 385/95 R25 (14.00R25); Steel rim 9,5-25/1,7"; TechKing ETCRANE 170F; or similar.  |
| <b>Cab 2550</b>                        | Type 8.4 ft; Adjustable driver seat, armrests and pneumatic suspension; Height and tilt-adjustable steering wheel; Auxiliary/passenger seat; Powered door windows; Tinted glass; Electrically adjustable rear-view mirrors, heated; Radio; Seat heating. |
| <b>Heating engine-dependent</b>        | Engine-dependent warm water heating with 12 kW heating power.  |
| <b>Aircondition</b>                    | Aircondition for carrier cab with 7 kW rated cooling power.  |
| <b>Drive lights</b>                    | Including low beam, upper beam, daytime running lights, fog lights and cornering lights.   |
| <b>Outriggers</b>                      | H-4-Point design; Vertical and horizontal movement fully hydraulic; Manual or automatic levelling alternatively; 4 outrigger bases: 7.7 ft, 10.4 ft, 14.7 ft and 21.3 ft.  |
| <b>Outrigger pads</b>                  | 4 square outrigger pads A = 0.85 ft <sup>2</sup> with transport position at vertical cylinder.   |
| <b>Outrigger basis monitoring</b>      | Individual monitoring of horizontal stroke; Deviation warning in crane cab.  |
| <b>Outrigger load indicator</b>        | The outrigger load is indicated in the operator cab and the outrigger control box.   |
| <b>Electronic immobiliser system</b>   | Prevents uncontrolled carrier mobilisation; Incl. 5 ignition keys.   |
| <b>Pneumatic tire filling plug</b>     | Pneumatic tire filling plug for self-filling of the wheels.  |
| <b>Contour safety marking</b>          | Continuous reflective strips on the sides of the chassis and on the rear.  |

### Equipment superstructure

|                                   |   |
|-----------------------------------|---|
| <b>Telescopic boom HA60</b>       | 35.8 - 196.9 ft; Single cylinder telescoping system, automatic telescoping; Attachments for all equipment and extensions; 3 sheaves integrated in boom head for max. capacity of 87,100 lb.                                       |
| <b>Boom luffing</b>               | 1 luffing cylinder with automatic lowering brake valve.   |
| <b>Rotary drive</b>               | Single slewing gear unit with spring-loaded multi-disc brake.   |
| <b>H1</b>                         | Hoist with spring-loaded multi-disc brake; Resolver (hoist rotation indicator).   |
| <b>Counterweight 20,500 lb</b>    | 20,500 lb; 5 pieces; Automatic rigging system.  |
| <b>Control system</b>             | Enabling 4 simultaneous working movements; Electric pilot controls via 2 two-axis joysticks; Different control modes selectable for hydraulic circuits.   |
| <b>Operator aids</b>              | IC-1, with integrated electronic load moment indicator in accordance with EN13000; Color display; Displaying of current operating conditions, load charts, fault indicator; Signal lights indicating LMI-load; Crane data logger. |
| <b>Working range limiter</b>      | Displaying and programmability of the work range limits by IC-1.  |
| <b>Hook height indication</b>     | Displaying and programmability of the hook height H1 by IC-1.   |
| <b>Cab 875</b>                    | Type 2.87 ft; Tilt infinitely variable 16°; Sliding window rear; Fold-out front window; Extendable side pedestal, front pedestal; Handrails; Tinted safety glass; Pull-down sun visor; Radio; Seat heating.                       |
| <b>Heating engine-independent</b> | Engine-independent warm water heating with 5 kW heating power.  |
| <b>Aircondition</b>               | Aircondition in crane cab with 5 kW rated cooling power.  |
| <b>Anemometer</b>                 | Removable, to be used with all extensions.  |

## Additional equipment

### Carrier

|                                  |  |
|----------------------------------|--|
| <b>Engine 340-3; ECE R96</b>     | Mercedes-Benz OM471; Diesel engine; 340 kW / 1700 1/min (462 HP), torque 2200 Nm / 1000 1/min; The engine complies with ECE R96 (equivalent to former regulation EU Stage III A / Tier 3); Exhaust system complete stainless steel incl. spark arrester. |
| <b>Axles 8 x 6 x 8</b>           | 8 x 6 x 8; All 4 axles steered, axles 1 and 4 permanently driven, axle 3 shiftable, all axles equipped with selectable transverse lock.  |
| <b>Wear-free auxiliary brake</b> | Wear-free auxiliary eddy-current brake at 4th axle.  |
| <b>Tires</b>                     | 8 tires; Tire size 445/95R25 (16.00R25) or 525/80 (20.5R25).   |
| <b>Demag Surround View</b>       | 360° view during road travelling; Speed dependent; Indication in display of carrier cabin. Usable as assistance system when entering jobsite with indication of outrigger positions and tailswing of counterweight.                                      |

### Superstructure

|   |  |
|---|--|
| <b>2. hoist (H2)</b>                      | 2. hoist; Spring-loaded multi-disc brake; Integrated resolver (hoist rotation indicator); Quick couplings; Incl. hoist monitoring. |
| <b>Additional counterweight 18,500 lb</b> | Additional counterweight 18,500 lb, 1 piece; for total 39,000 lb, 6 pieces.  |
| <b>Load supervision camera</b>            | Camera mounted on main boom head to supervise the hook block and load from above; Incl. boom head light on boom head.              |

### Handling

|                                  |   |
|----------------------------------|---|
| <b>Remote control</b>            | Control of superstructure movements via wireless remote control.  |
| <b>Moving out of crane cab</b>   | Control of carrier out of crane cab, enables machine moving when rigged, possible even under load.  |
| <b>IC-1 Plus incl. Flex Base</b> | Smart crane control system for main boom operation enabling higher lifting capacities especially over outriggers. Enables safe use of the full capacity of the crane even in asymmetric outrigger configurations. Flexible and independent outrigger positioning possible. Capacity precalculation for +/- 30° slewing angle and radius area. In-cab lift simulation. |
| <b>IC-1 Remote</b>               | IC-1 Remote, Demag telematic system.  |
| <b>E-Pack</b>                    | Electro-hydraulic pump aggregate for emission free crane operation.   |

### Extensions

|                    |   |
|--------------------|---|
| <b>HAV 21.3 ft</b> | 21.3 ft; Lattice swing-away jib, manual offset 25°/50°; 2-sheave head; Incl. transport storage.   |
| <b>MS (runner)</b> | 4.9 ft; Variable assembly jib with manual offset; 2-sheaves, for max. 58,700 lb lifting capacity. |

### Hook Blocks

|                             |  |
|-----------------------------|--|
| <b>VarioHook 50-3-18-D</b>  | 50-3-18-D (662 lb -1,320 lb); Hook block with adjustable ballast and ramshorn hook, variable usage as 1- and 3-sheave hook block; white with red signal stripes. |
| <b>VarioHook 50-3-18-E</b>  | 50-3-18-E (662 lb -1,320 lb); Hook block with adjustable ballast and single hook, variable usage as 1- and 3-sheave hook block; white with red signal stripes.   |
| <b>Hook block 50-3-18-D</b> | 50-3-18-D (1,320 lb); Hook block with ramshorn hook; white with red signal stripes.  |
| <b>Hook block 20-1-18-E</b> | 20-1-18-E (662 lb); Hook block with single hook; white with red signal stripes.  |
| <b>Hook 8-0-18</b>          | 8-0-18 (375 lb); red.  |

#### Further additional equipment on request!

Weight data may deviate from posted values based on road / travel configuration, equipment configuration, and component weight tolerances.

December 2020. Product specifications and prices are subject to change without notice or obligation. The photographs and/or drawings in this document are for illustrative purposes only. Refer to the appropriate Operator's Manual for instructions on the proper use of this equipment. Failure to follow the corresponding Operator's Manual when using our equipment or to otherwise act responsibly may result in serious injury or death. The only warranty applicable to our equipment is the standard written warranty applicable to the particular product and sale and Tadano makes no other warranty, express or implied. All rights reserved. Products and services listed may be trademarks, service marks or trade-names of Tadano Ltd.

© Tadano Demag GmbH 2020. Tadano and Demag are trademarks of or licensed by Tadano Ltd. or its subsidiaries.



**Tadano Demag GmbH**  
Europa Allee 2  
66482 Zweibrücken  
Germany  
T +49 6332 830

[info.demag@tadano.com](mailto:info.demag@tadano.com)  
[www.demagmobilecranes.com](http://www.demagmobilecranes.com)



**Tadano Ltd.** (International Division)  
4-12, Kamezawa 2-chome  
Sumida-ku Tokyo 130-0014, Japan  
E [info@tadano.com](mailto:info@tadano.com) T 81-3-3621-7750  
[www.tadano.com](http://www.tadano.com)