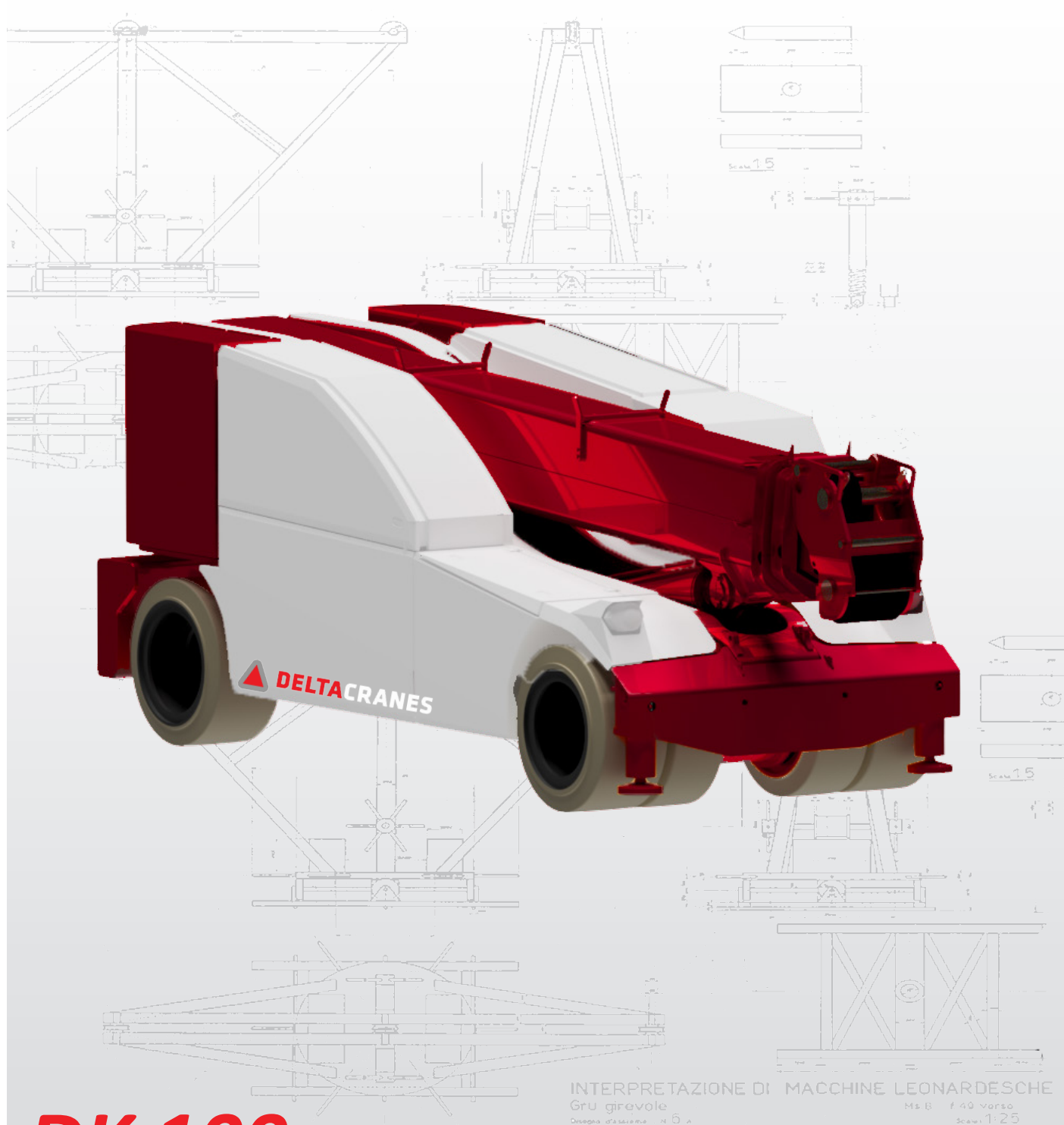




PICK & PLAY

ELECTRIC PICK AND CARRY



DK 100

INTERPRETAZIONE DI MACCHINE LEONARDESCHES
Gru girevole Ms B f. 40 verso
Disegno d'insieme N. 5 A Scale 1:25

DELTA CRANES S.r.l.
Via Vecchione 110/b
41116 MODENA (MO)-ITALY

E-mail: info@delta-cranes.com
Website: www.delta-cranes.com
Tel: +39 (0)59 923 148

BY **IDROGRU**

Technical specifications

FRAME: made of steel sheets highly resistant to yielding, duly folded and welded.

BOOM: formed by three segments: one is fixed, two are hydraulically extensible by means of a hydraulic double-action and return cylinder. The system allows to extend the boom in a synchronous way. Boom lifting operations are managed by a double-action cylinder which allows a -5° to 70° swing angle.

WINCH: grooved drum (lebus threaded) with non-rotation steel rope, variable displacement hydraulic motor, planetary gearmotor with disc brake and safety/functioning valve, automatically activated.

OPERATOR'S CAB: steel structure with wide glass surfaces giving maximum visibility. All controls for translation and working manoeuvres of the crane are placed inside the cab.

DISPLAY: high-resolution monitors for displaying all functions related to automotive, load limiter, datalogger and cameras, with screen visualization of all information concerning the management of the machine. Radio remote control for all movements equipped with display.

FRONT AXLE: front-drive, given by n° 2 AC electric motors, power 25 kW, 96 V each.
N° 2 planetary gearmotors for high capacities. Electronic differential.
Non-marking twin-wheels, 40 20 30 + 40 16 30, cushion type.

REAR AXLE: steering and oscillating rear axle, wheels steering angle +96°/-83°.
Planetary gearmotors with hydraulic engine to allow steering on each wheel, steering control via electronic unit. Steering angle electronically managed. Non-marking single-mounted wheels, 40 20 30, cushion type.

BRAKES: service dry disc brake, hydraulically controlled, and pedal acting on front and rear wheels with assisted service.

HYDRAULIC SYSTEM: composed of a "load-sensing" variable displacement pump with torque control, connected to a 35 kW, 96 V AC electric motor to power extension movements, boom lifting, winch, steering, front outriggers and auxiliary equipment operations.
Distributor with differentiated spools, managed by an electric proportional control. Multi-function electronic joystick.
"Over centre" valves for the cylinder actioning lifting, boom extension and winch movements. Pilot shut-off valves for stabilizers cylinders. Pump oil filter with electric clogging alert.
Hydraulic oil tank capacity: 380 l.
Max working pressure: 280 bar

ELECTRIC SYSTEM:
N° 4 battery modules for a total amount of 96 V and 1550 Ah
N° 3 DC-AC inverters
N° 1 DC-DC 60° converter for powering auxiliary systems at 24 V
N° 2 cameras
24 V lighting system

SAFETY DEVICES: pressure-limiting safety valves on all oleo-dynamic actuators, limit switches at climb and descent end, electronic load momentum indicator with control over all manoeuvres, emergency stop.
The crane is equipped with all required safety devices and it complies with EC safety rules in force:
- EN 13000:2010 + A1:2014 (E)
- ISO 4305:1991

WEIGHTS:

Base machine	24.900 Kg
Weight on the front axle (about)	10.600 Kg
Weight on the rear axle (about)	14.300 Kg
Machine complete with counterweights	45.500 Kg
Weight on the front axle (about)	9.800 Kg
Weight on the rear axle (about)	35.700 kg

SIZE:

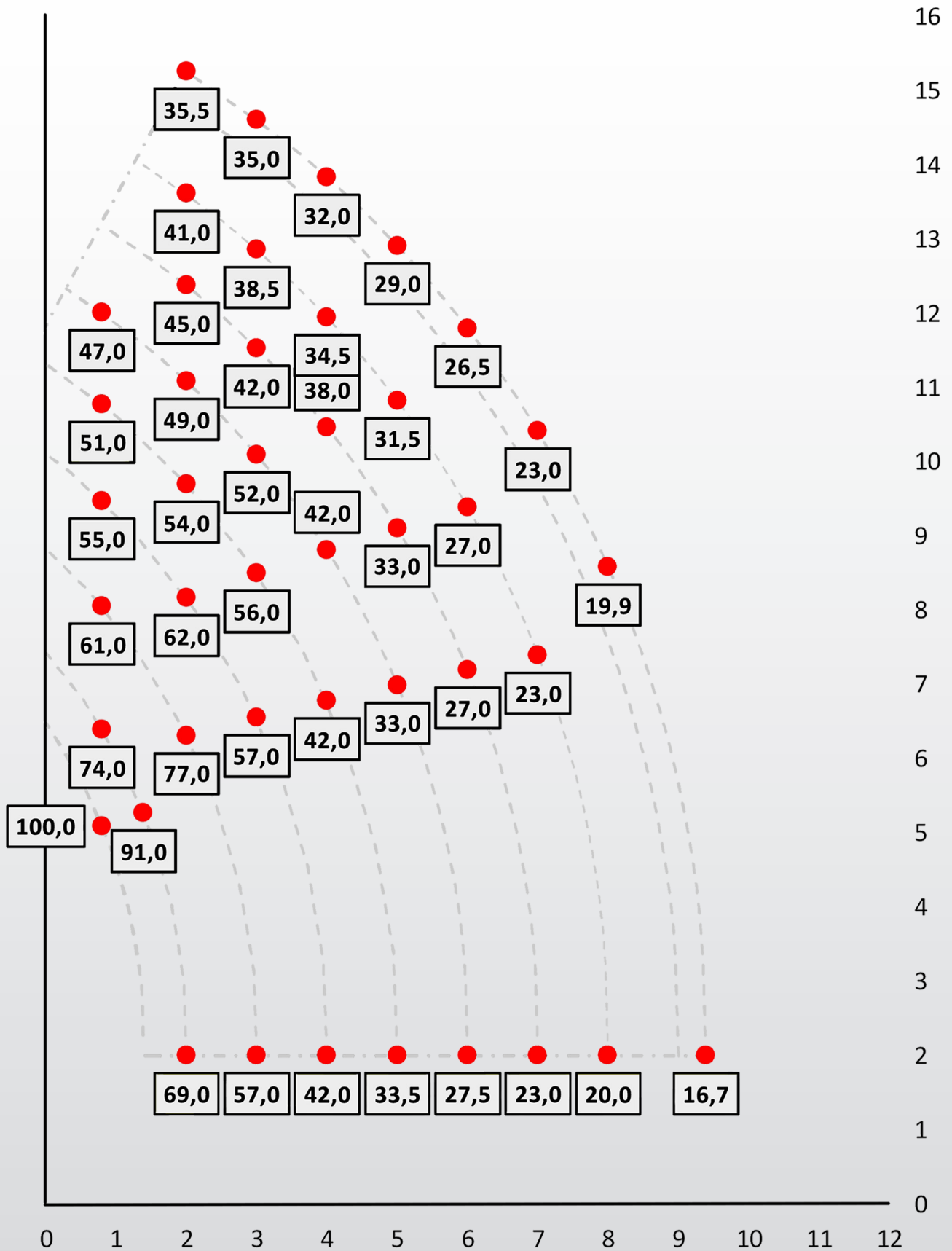
Carrier length	5.873 mm
Height	2.428 mm
Width	2.446 mm

OPTIONAL EQUIPMENT

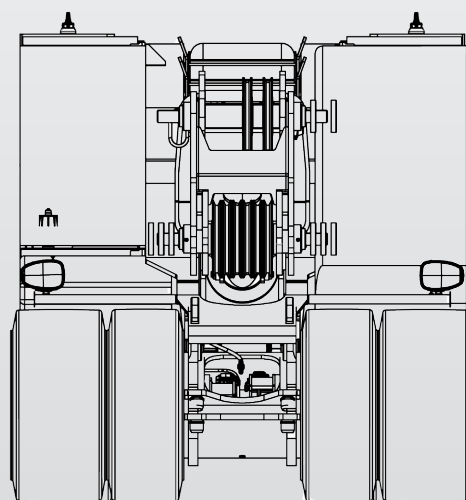
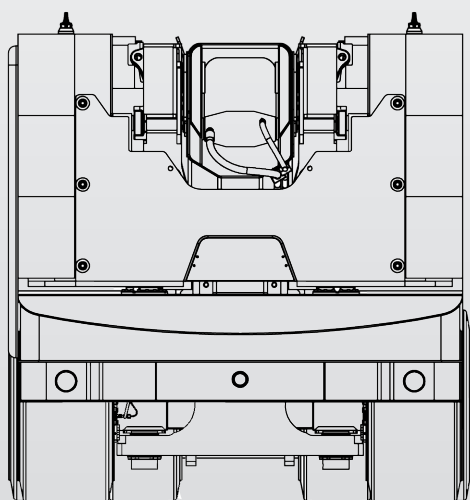
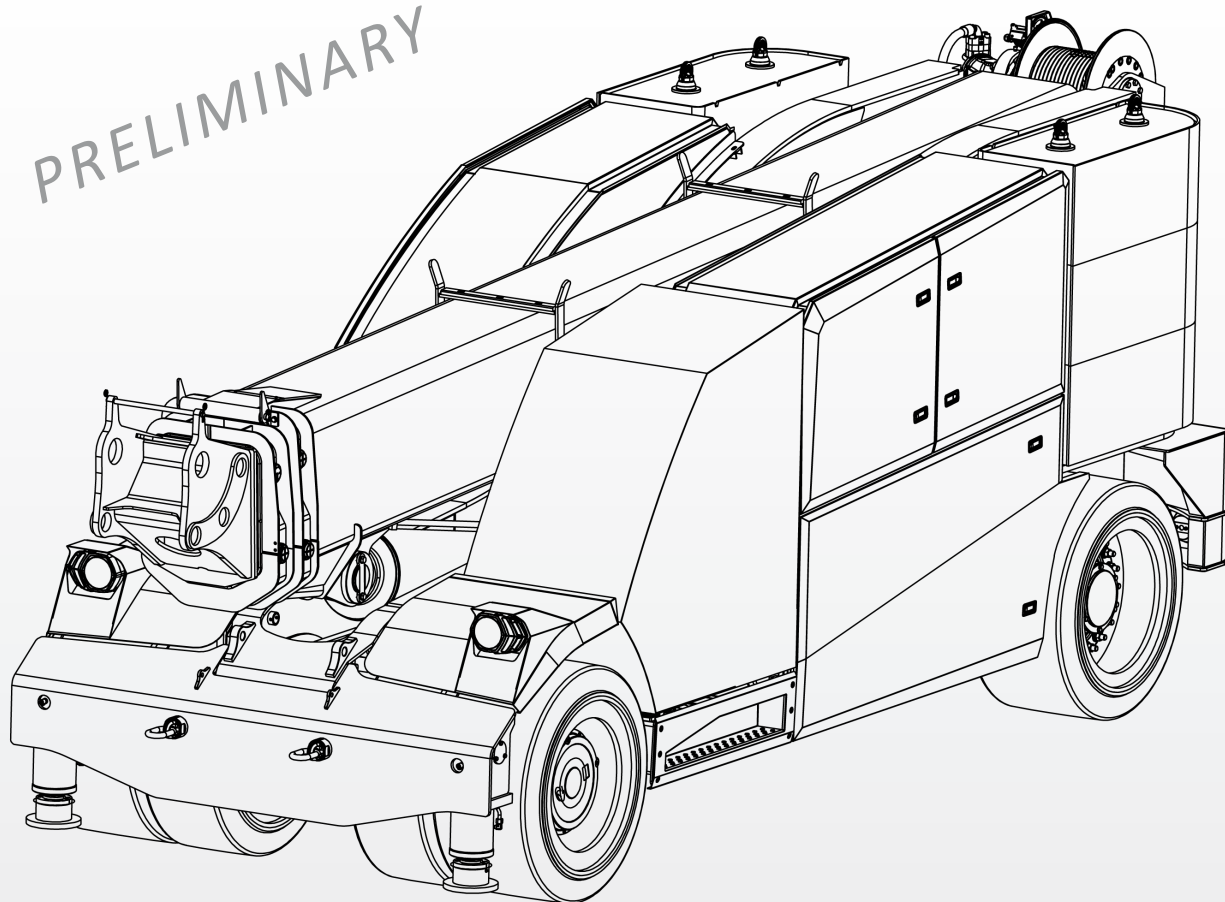
Hydraulic winch
Manual jib
Hydraulic jib
Forks
Battery charger on board
Non-marking tyres
Radio Remote Control
Front Outriggers

The crane is equipped with CE Compliance Certificate, CE marking and User's Instructions Manual

Load chart (ton)



PRELIMINARY



Delta Cranes S.r.l. reserves the right to change the present technical data without prior notification