

LOCATELLI[®]
CRANE



GRIL 13.12
LIGHT DUTY



CARRO**TELAIO**

Scatolato e saldato, costruito con materiali ad alta resistenza.

STABILIZZATORI IDRAULICI

4 stabilizzatori idraulici con comandi indipendenti dalla cabina.
4 cilindri idraulici con valvola di tenuta bloccano in posizione quattro travi telescopiche inclinabili complete di piedi di appoggio.

MOTORE

Caterpillar C 4.4, quattro cilindri diesel turbosovralimentato, raffreddato ad acqua. Potenza max 83 kW (111HP) a 2.200 giri/min. Coppia max 418 Nm a 1.400 giri/min. Filtro aspirazione aria secco con indicatore di intasamento. Capacità serbatoio carburante 90 L.

TRASMISSIONE

Trasmissione idrostatica a circuito chiuso con regolazione continua della velocità. Pompa a pistoni a portata variabile, motore a pistoni a cilindrata variabile montato su cambio-ripartitore a due marce AV e RM.
Controllo elettronico della gestione del sistema pompa-motore idraulico.

POMPE IDRAULICHE

Ad ingranaggi, una doppia in tandem con la pompa a pistoni ed una singola azionata dalla presa di forza sul motore. Portata totale 212 L/min a pieno regime. Capacità serbatoio 290 L.

ASSI

Anteriore: traente/sterzante con bloccaggio differenziale, riduzioni planetarie e cambio-ripartitore, montato rigidamente sul telaio. Posteriore: traente/sterzante con differenziale e riduzioni planetarie, oscillante per l'impiego fuoristrada. Bloccaggio automatico dell'oscillazione per il lavoro su gomme.

STERZO

Idrostatico, tipo "load sensing", con azione sulle quattro ruote. Tre possibilità di sterzata: solo ruote anteriori; coordinate; a granchio.

FRENI

Di servizio/emergenza: multidisco a bagno d'olio, autoregistranti, a doppio circuito indipendente. Comando a pedale con azione su tutte le ruote.
Di stazionamento: a tamburo montato sull'asse posteriore.

PNEUMATICI

365/80 R20 montati in singolo.

IMPIANTO ELETTRICO

Impianto elettrico di avviamento e illuminazione a 24 Volt conforme alla normativa CE.

CARRIER**CHASSIS**

Heavy duty, all welded box type section frame.

OUTRIGGERS

4 hydraulically operated outrigger controlled from the cab.
Four hydraulic cylinders with holding valves lock in position four telescopic inclinable beams with self-adjusting floats.

ENGINE

CATERPILLAR C4.4, four cylinders turbocharged intercooler diesel engine, water cooled.
Max power 83 kW (111HP) at 2.200 rpm.
Max torque 418 Nm at 1.400 rpm.
Dry type air cleaner with service indicator.
Fuel tank capacity 90 L.

TRANSMISSION

Hydrostatic, closed circuit with continuous speed regulation.
Axial piston variable displacement pump and variable displacement motor mounted on 2 forward and 2 reverse speeds mechanical gearbox.
Fully electronic drive control.

HYDRAULIC PUMPS

Three gear type hydraulic pump system: one double, tandem mounted with transmission piston pump and one single, driven from power-take-off on the engine. Total pumps capacity 212 L/min. Oil tank capacity 290 L.

AXLES

Front: driving/steering axle with differential lockout, planetary reduction and gearbox, solidly mounted to frame.
Rear: driving/steering axle with differential and planetary reduction, pivot mounted to allow axle oscillation for rough terrain travel.
Automatic oscillation lockout.

STEERING

Power assisted steering, load sensing type on four wheels.
Three steering modes are available: only front wheels; 4-wheels coordinated; 4 wheels crab steering.

BRAKES

Service and emergency: multydisc-type, oil immersed, self-adjusting, hydraulically controlled dual independent braking system. Foot operated on all wheels.
Parking: rear axle mounted, spring set, hydraulically released.

TYRES

365/80 R20 tubeless type, single mounted front and rear.

ELECTRICAL EQUIPMENT

24 V equipment including light package to EC traffic regulation.

CHASSIS**CHASSIS**

Heavy duty, all welded box type section frame.

OUTRIGGERS

4 hydraulically operated outrigger controlled from the cab.
Four hydraulic cylinders with holding valves lock in position four telescopic inclinable beams with self-adjusting floats.

ENGINE

CATERPILLAR C4.4, four cylinders turbocharged intercooler diesel engine, water cooled.
Max power 83 kW (111HP) at 2.200 rpm.
Max torque 418 Nm at 1.400 rpm.
Dry type air cleaner with service indicator.
Fuel tank capacity 90 L.

TRANSMISSION

Hydrostatic, closed circuit with continuous speed regulation.
Axial piston variable displacement pump and variable displacement motor mounted on 2 forward and 2 reverse speeds mechanical gearbox.
Fully electronic drive control.

HYDRAULIC PUMPS

Three gear type hydraulic pump system: one double, tandem mounted with transmission piston pump and one single, driven from power-take-off on the engine. Total pumps capacity 212 L/min. Oil tank capacity 290 L.

AXLES

Front: driving/steering axle with differential lockout, planetary reduction and gearbox, solidly mounted to frame.
Rear: driving/steering axle with differential and planetary reduction, pivot mounted to allow axle oscillation for rough terrain travel.
Automatic oscillation lockout.

STEERING

Power assisted steering, load sensing type on four wheels.
Three steering modes are available: only front wheels; 4-wheels coordinated; 4 wheels crab steering.

BRAKES

Service and emergency: multydisc-type, oil immersed, self-adjusting, hydraulically controlled dual independent braking system. Foot operated on all wheels.
Parking: rear axle mounted, spring set, hydraulically released.

TYRES

365/80 R20 tubeless type, single mounted front and rear.

ELECTRICAL EQUIPMENT

24 V equipment including light package to EC traffic regulation.

TORRETTA

STRUTTURA TORRETTA

Costruita con piastre e profilati in acciaio ad alta resistenza.

BRACCIO TELESCOPICO

Braccio a 4 sezioni a sfilamento sincronizzato da 5,8 a 20,0 m.
Altezza massima testa braccio 22,1 m.

SOLLEVAMENTO BRACCIO

Cilindro idraulico a doppio effetto.
Elevazione da -9° a +78°.

ROTAZIONE TORRETTA

Rotazione continua su 360°. Motore oleodinamico idraulico con riduttore a doppia riduzione epicicloidale.
Freno di rotazione automatico a dischi multipli. Ralla a dentatura esterna.
Bloccaggio manuale rotazione con comando dalla cabina di guida.

ARGANO

Idraulico, azionato da motore a pistoni assiali accoppiato a riduttore a doppia riduzione epicicloidale. Freno automatico a dischi multipli e valvole di controbilanciamento. Rullo pressafune.

CABINA

Costruita in acciaio e sospesa elasticamente sul lato sinistro della torretta.
Visibilità panoramica e completa di ampi vetri di sicurezza. Sedile dell'operatore scorrevole e regolabile in altezza e profondità.

COMANDI GRU

Manipolatori montati sui braccioli del sedile operatore per il comando indipendente o simultaneo dei movimenti gru. Interruttori elettrici per il comando degli stabilizzatori.

DISTRIBUTORI

Distributori idraulici individuali garantiscono la combinazione simultanea dei movimenti della gru. Sistema centralizzato per il controllo delle pressioni idrauliche.

COMANDI DI TRASLAZIONE GRU

Volante inclinabile. Selettore modalità di sterzata. Comando a leva per l'inversione di direzione. Selettore per il cambio di velocità. Interruttore elettrico per il bloccaggio del differenziale anteriore e il freno di parcheggio.

DISPOSITIVI DI SICUREZZA

Fincorsa salita e discesa gancio. Valvole di blocco su tutti i cilindri idraulici. Valvole di massima pressione su tutti i circuiti idraulici.

UPPER STRUCTURE

SUPERSTRUCTURE FRAME

Fabricated from high tensile steel plate.

BOOM

4 sections 5,8 m to 20,0 m automatically synchronized fully powered telescopic boom. Max. boom head height 22,1 m.

BOOM ELEVATION

Single double-acting cylinder. Elevation from -9° a +78°.

SLEW

360° continuous rotation. Orbit type hydraulic motor driving slewing pinion through planetary double reduction unit. Spring applied, hydraulically released multidisc type slew brake. External gear teeth slew ring. Hand operated slewing lock, controlled from the operator's cab.

MAIN HOIST

Hydraulic. Axial piston type hydraulic motor driving hoist drum through double reduction gear unit. Spring applied, hydraulically released fail-safe hoist brake and counterbalance valve. Hoist drum cable follower.

OPERATOR'S CAB

Turntable mounted on rubber grommets, left hand drive, fully enclosed, all steel construction with safety glass and operator's seat on slides with height and rake adjustment.

CRANE CONTROLS

Armrest mounted joysticks for independent or simultaneous operation of crane motions. Electric switches for outriggers control.

CONTROL VALVES

Individual valve banks permitting simultaneous independent control of multiple crane functions. Centralized system for hydraulic pressure control.

TRAVEL CONTROLS

Adjustable steering wheel. Steering modes selector switch. Forward and reverse speed shift lever. Electric switches for transmission gear selection, front differential lockout and parking brake control.

SAFETY DEVICES

Overhoist and overlower limit switches; lock valves on all cylinders; hydraulic overload valves on all systems.

PARTIE TOURNANTE

SUPERSTRUCTURE FRAME

Fabricated from high tensile steel plate.

BOOM

4 sections 5,8 m to 20,0 m automatically synchronized fully powered telescopic boom. Max. boom head height 22,1 m.

BOOM ELEVATION

Single double-acting cylinder. Elevation from -9° a +78°.

SLEW

360° continuous rotation. Orbit type hydraulic motor driving slewing pinion through planetary double reduction unit. Spring applied, hydraulically released multidisc type slew brake. External gear teeth slew ring. Hand operated slewing lock, controlled from the operator's cab.

MAIN HOIST

Hydraulic. Axial piston type hydraulic motor driving hoist drum through double reduction gear unit. Spring applied, hydraulically released fail-safe hoist brake and counterbalance valve. Hoist drum cable follower.

OPERATOR'S CAB

Turntable mounted on rubber grommets, left hand drive, fully enclosed, all steel construction with safety glass and operator's seat on slides with height and rake adjustment.

CRANE CONTROLS

Armrest mounted joysticks for independent or simultaneous operation of crane motions. Electric switches for outriggers control.

CONTROL VALVES

Individual valve banks permitting simultaneous independent control of multiple crane functions. Centralized system for hydraulic pressure control.

TRAVEL CONTROLS

Adjustable steering wheel. Steering modes selector switch. Forward and reverse speed shift lever. Electric switches for transmission gear selection, front differential lockout and parking brake control.

SAFETY DEVICES

Overhoist and overlower limit switches; lock valves on all cylinders; hydraulic overload valves on all systems.

PORTATE BRACCIO TELESCOPICO - LIFTING CAPACITIES TELESCOPIC BOOM - CAPACITES DE LEVAGE FLECHE TELESCOPIQUE (t)



100 %



5,9 m - 20,0 m



360°



	5,9 m	10,6 m	15,3m	20,0 m	
2,0 m	12,5				2,0 m
2,5 m	10,1	6,0			2,5 m
3,0 m	8,9	6,0	5,6		3,0 m
3,5 m	8,0	6,1	5,6		3,5 m
4,0 m	7,1	6,2	5,2	4,0	4,0 m
4,5 m		6,3	4,7	3,9	4,5 m
5,0 m		6,1	4,3	3,8	5,0 m
6,0 m		4,4	3,6	3,2	6,0 m
8,0 m		2,6	2,6	2,3	8,0 m
10,0 m			1,7	1,7	10,0 m
12,0 m			1,1	1,1	12,0 m
14,0 m				0,8	14,0 m
16,0 m				0,5	16,0 m



100 %



5,9 m - 20,0 m



360°



	5,9 m	10,6 m	15,3m	20,0 m	
2,0 m	13,0				2,0 m
2,5 m	10,1	6,0			2,5 m
3,0 m	8,9	6,0	5,6		3,0 m
3,5 m	8,0	6,1	5,6		3,5 m
4,0 m	7,1	6,2	5,2	4,0	4,0 m
4,5 m		6,3	4,7	3,9	4,5 m
5,0 m		6,1	4,3	3,8	5,0 m
6,0 m		4,4	3,6	3,2	6,0 m
8,0 m		2,6	2,6	2,3	8,0 m
10,0 m			1,7	1,7	10,0 m
12,0 m			1,1	1,1	12,0 m
14,0 m				0,8	14,0 m
16,0 m				0,5	16,0 m



5,9 m - 15,3 m



365/80 R 20

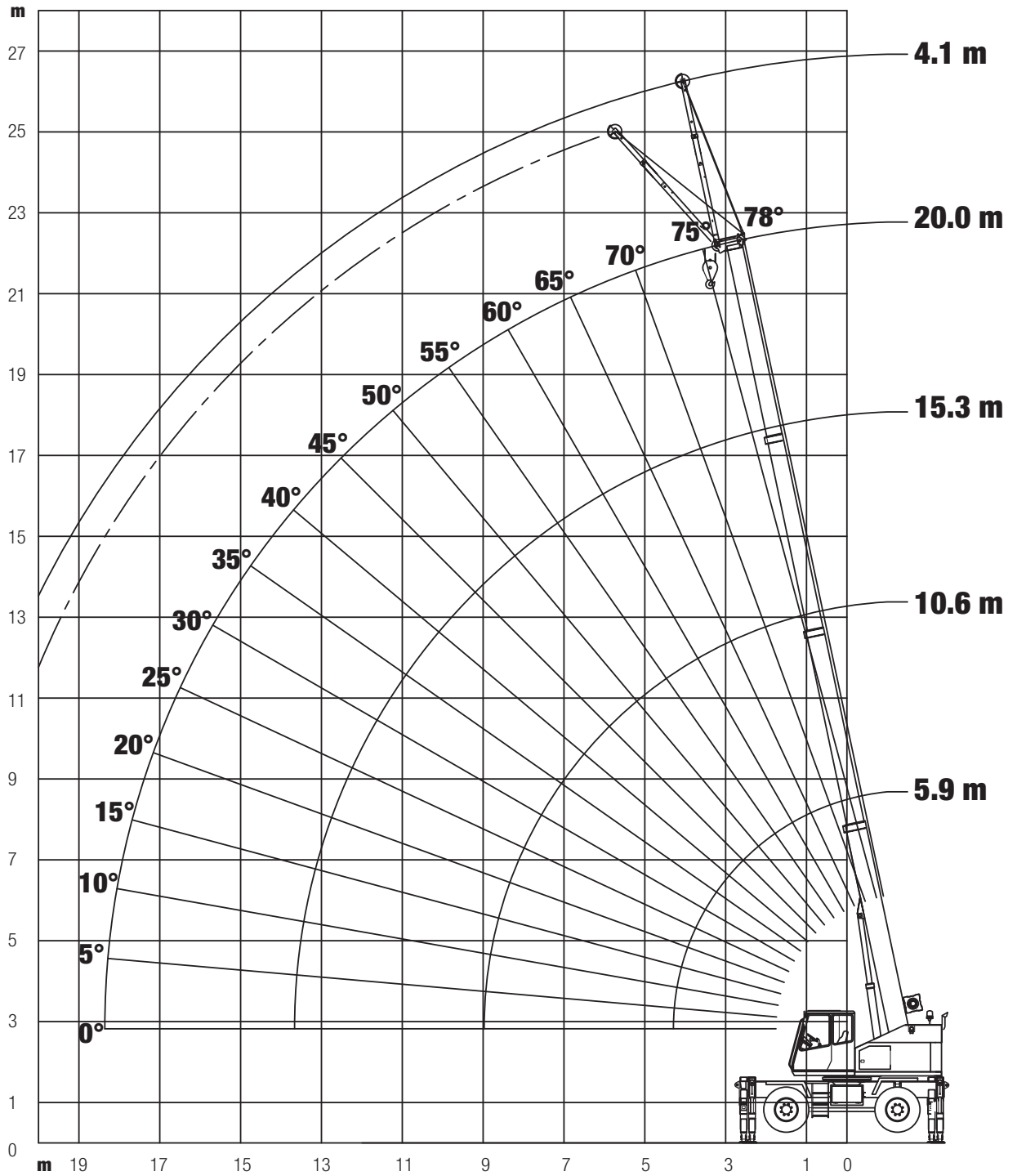
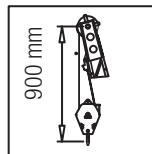
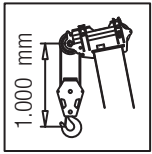


360° / 0°



	0 km/h			3 km/h			
	360°			0			
	5,9 m	10,6 m	15,3 m	5,9 m	10,6 m	15,3 m	
2,5 m	4,6	4,6	3,0	7,4	6,0	4,5	2,5 m
3,0 m	3,9	3,9	3,0	5,8	5,8	4,5	3,0 m
3,5 m		3,0	3,0		5,0	4,5	3,5 m
4,0 m		2,4	2,4		4,5	4,5	4,0 m
4,5 m		1,9	1,9		3,6	3,6	4,5 m
5,0 m		1,5	1,5		2,9	2,9	5,0 m
6,0 m		1,1	1,1		2,0	2,0	6,0 m
7,0 m		0,7	0,7		1,4	1,4	7,0 m
8,0 m						0,9	8,0 m

DIAGRAMMA DI LAVORO - WORKING DIAGRAM - DIAGRAMME DE TRAVAIL (t)



PORTATE PROLUNGA - LIFTING CAPACITIES BOOM EXTENSION - CAPACITES DE LEVAGE FLECHETTE (t)



100 %



4,1 m



5,9 m - 20,0 m



360° / 0°



	5,9 m		10,6 m		15,3 m		20,0 m		
	0°	30°	0°	30°	0°	30°	0°	30°	
2,5 m	1,6		1,9						2,5 m
3,0 m	1,4	1,0	1,9		2,0				3,0 m
3,5 m	1,2	0,9	1,8		1,9				3,5 m
4,0 m	0,9	0,8	1,7	1,0	1,9				4,0 m
4,5 m	0,7	0,7	1,6	0,9	1,8		2,0		4,5 m
5,0 m		0,6	1,4	0,9	1,8	1,0	1,9		5,0 m
6,0 m		0,4	1,1	0,8	1,6	0,9	1,8	1,0	6,0 m
8,0 m				0,6	1,2	0,8	1,6	0,9	8,0 m
10,0 m					0,7	0,6	1,2	0,7	10,0 m
12,0 m							0,8	0,6	12,0 m
14,0 m								0,4	14,0 m

NOTE SULLA TABELLA DI PORTATE

- Le portate sono indicate in tonnellate (t).
- Il peso dei bozzelli, delle prolunghie e di eventuali accessori deve essere detratto dalle portate indicate in tabella per ottenere il carico netto sollevabile.
- I raggi di lavoro sono misurati dal centro della ralla di rotazione.
- Per ulteriori dettagli consultare il manuale d'uso dell'autogrù.

NOTES TO LOAD CHARTS

- Lifting capacities are given in tonnes (t).
- The weight of the hookblocks, of the extensions and of any accessory must be deducted from the rate indicated in the charts to get the net lifting load.
- Working radius is measured from the center of the slewing ring.
- For further details refer to the operator's manual of the crane.

NOTES AU TABLEAU DE CHARGE

- Les capacités de levage sont données en tonnes (t).
- Le poids des moufles, des extensions et de tout accessoire doit être déduit de la valeur indiquée dans le tableau pour obtenir la charge de levage net.
- Rayon de travail sont mesurés à partir du centre de la couronne d'orientation.
- Pour plus de détails consulter le manuel de l'opérateur de la grue.

DATI TECNICI - SPECIFICATIONS - CARACTERISTIQUES

	Lunghezza braccio Boom length Longeur fleche	Altezza massima Maximum height Hauteur maximale	Sezioni Sections Segments	Angolo di inclinazione Luffing angle Plage de relevage	Sollevamento / abbassamento Raising / lowering Relevage / abaissement	Estensione / retrazione Extension / retraction Extension / retraction
	5.9 m - 20,0 m	20,0 m	4	-9°/+78°	18s/18s	38s/38s

	Portata totale Total flow rate Flux totale	Serbatoio Tank capacity Capacite reservoir	Rotazione torretta 360° Upperstructure slewing 360° Rotation tourelle 360°
	365L/min	420L	29s

	Velocita' Speed Vitesse	Diametro fune Rope diameter Diametre cable	Lunghezza fune Rope length Longeur cable	Tiro massimo Line pull Traction du cable	Configurazione Configuration Configuration
	38 m/min	12 mm	80 m	20,5 kN	Standard

	Portata CE Capacity CE Capacite CE	Portata 85% Capacity 85% Capacite 85%	Carrucole Sheaves Poulies	Taglie Lines Brins	Peso Weight Poids	Configurazione Configuration Configuration
	12,5 t	33 t	3	6	150kg	Standard
	13 t	12 t	3	7	150 kg	Optional
	3 t	5 t	0	1	70 kg	Optional

	Peso totale Totale Weight Poids total	Peso assale anteriore Weight on front axle Poids sur essieu avant	Peso assale posteriore Weight on rear axle Poids sur essieu arriere
	12,2 t	5,25 t	6,95 t

	Motore Engine Moteur	Modello Model Model	Cilindri Cylinders Cylindres	Potenza nominale Rated power Puissance nominale	Coppia massima Max torque Couple maximale	Serbatoio Tank capacity Capacite reservoir
	CARTEPILLAR	C4.4	4	83kW@2200rpm(Tier IIIA)	418 Nm@1400rpm(Tier IIIA)	90L

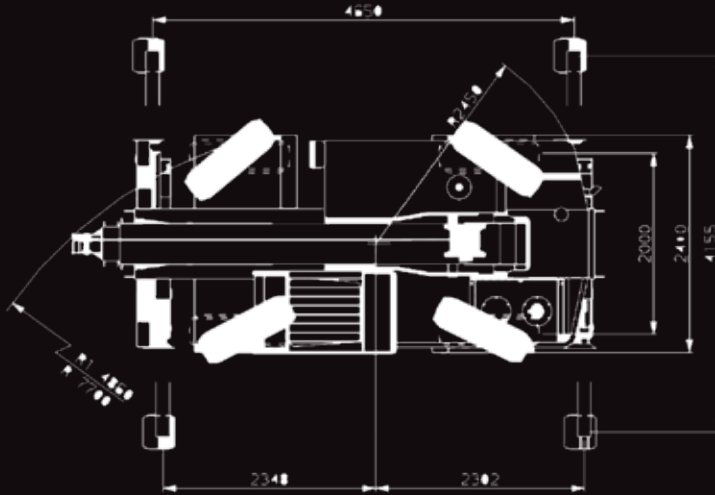
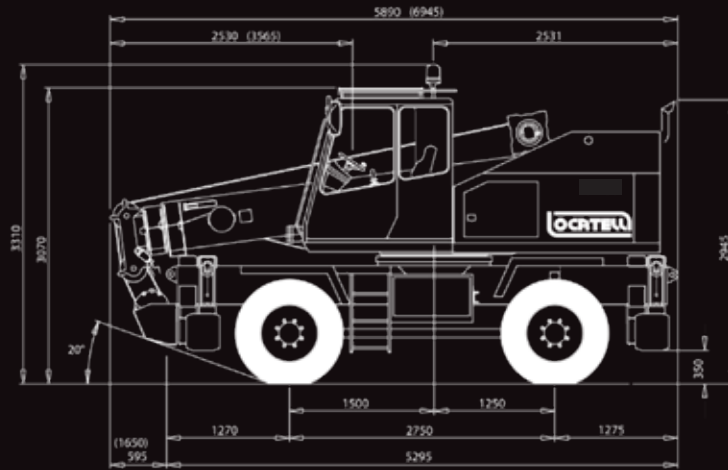
		F1	F2	R1	R2		
	4x4	14 km/h	38 km/h	14 km/h	38 km/h	365/80 R20	65%

	Accessori sollevamento Lifting options Accessoires de levage			Accessori confort e speciali Confort and special options Accessoires confort et speciales		
	Naso	Heavy duty jib	Runner	Condizionatore	Air conditioning	Climatisation
	Prolunga singola	Single jib	Flechette	Kit alte temperature	High temperatures kit	Kit hautes temperatures
	Prolunga doppia	Double jib	Flechette double	Tropicalizzazione	Tropicalization	Tropicalisation
	Argano ausiliario	Auxiliary hoist	Treuil auxiliaire	Kit climi freddi	Cold climate kit	Kit climat froid
	Ganci compatti	Compact hooks	Crochets compacts	Ruota di scorta	Spare wheel	Roue de secours
	Fari di lavoro	Working lights	Phares de travail	Kit raffineria	Refinery kit	Kit raffinerie

SIMBOLI - SYMBOLS - SYMBOLES

	Braccio telescopico Telescopic boom Flèche télescopique		Raggio Radius Portée		Argano ausiliario Auxiliary hoist Treuil auxiliaire		Marcia Gear Rapport
	Sfilo braccio Boom telescoping Télescopage de flèche		Contrappeso Counterweight Contrepoids		Prolunga braccio Boom extension Rallonge de flèche		Gamma lenta Low range Gamme basse
	Elevazione braccio Boom elevation Relevage de flèche		Bozzello Hookblock Crochet moufle		Stabilizzatori Outriggers Calage		Gamma veloce High range Gamme haute
	Rotazione Slewing Orientation		Argano principale Main hoist Treuil principal		Pneumatici Tyres Pneumatiques		Motore Engine Moteur

- o Le specifiche dei prodotti sono soggette a modifiche senza obbligo di preavviso. Le fotografie sono a solo scopo illustrativo.
- o Products specifications are subject to change without notice or obligation. Photographs are for illustrative purposes only.
- o Les spécifications des produits sont sujets à modification sans avis ou obligation. Les photographies sont uniquement pour illustration.



» www.locatell Crane.com

LOCATELLI CRANE srl

Via Lombardia n. 32 - 24030 Mapello (BG) - Italy - Tel. +39 035 4945066 - Fax +39 035 4945549 - info@locatell Crane.com