

# Manitex



## 1970C BOOM TRUCK

### MAXIMIZE RENTAL USE AND VALUE

The 1970C boom truck strikes the perfect balance between the three things customers tell us they care about most in a rental crane: features and cost and ease of use.

It's one of the highest-capacity cranes available on a 4x2 chassis, yet it's competitively priced and packed with standard features designed to save time and money.

Key features include a two-speed planetary hoist that lets operators can change line speed on the fly, and self-lubricating boom slider pads to minimize maintenance costs.

#### 1970C at a Glance



Rated capacity: 19-ton (17 mt)



Max. boom length: 70 ft. (7.74 m)



Max. tip height: 80.7 ft. (10 m)

# ELIMINATE THE LEARNING CURVE

The 1970C incorporates familiar, easy-to-use controls and built-in safety features that allow operators to get up and running quickly and with confidence.



## USER-FRIENDLY CONTROLS

Dual operator stations are equipped with engine start/stop, foot throttle, signal horn, boom angle indicator, load chart and range diagram.

## OUTRIGGER DEPLOYMENT

An audible alarm sounds as outriggers are being deployed, and indicator lights verify when they are fully extended.

## LOAD MOMENT INDICATOR

The load-moment indicator sounds a warning and shuts down the machine when lift limitations are about to be exceeded.

## CRANE WEIGHT

Gross vehicle weight (less jib): 27,750 lbs. (12,587 kg)

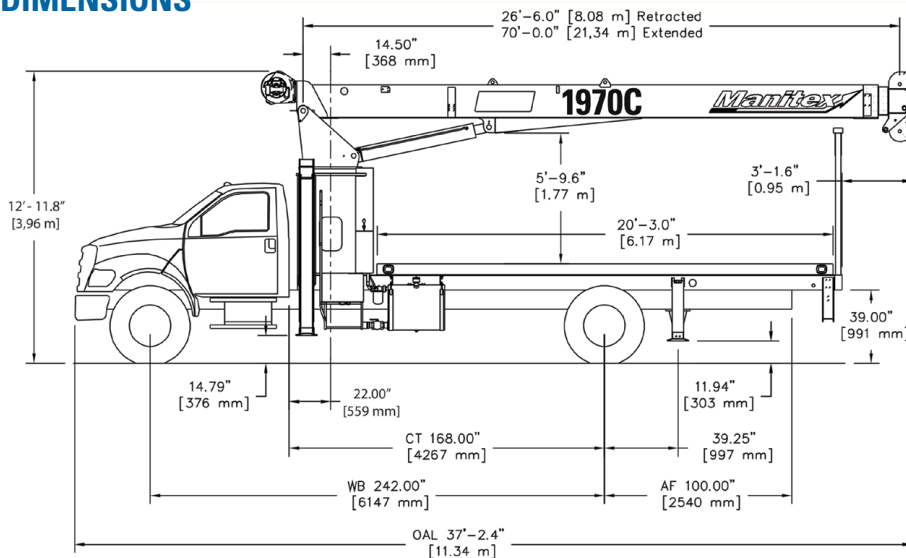
## CRANE CAPACITY: On Outriggers

Capacity @ 5 ft./Over 360° 38,000 lbs. (17,236 kg)

Capacity @ 10 ft./Over 360° 22,330 lbs. (10,854 kg)

Capacity @ 20 ft./Over 360° 10,600 lbs. (4,808 kg)

## DIMENSIONS



Uptime is the Manitex commitment to complete support of thousands of units working every day.

What does Uptime mean to Manitex customers?

- Uptime - means reliability.
- Uptime - means utilization.
- Uptime - means profitability.

