

LET'S MAKE ZERO-EMISSION REAL

RentalMatch Green Power

Dealer and Maintenance partner of:

JMG Cranes North Europe

Sales & Service Office

Ecologieweg 16

3433 LM Hendrik-Ido-Ambacht - Netherlands

t +31 651855113

t +31 613214166

e info@rentalmatch.eu

Production Plant

Via Sito Nuovo 14

29010 Sarmato (PC) - Italy



Data subject to change without prior notice
Edition 12/2019 © 2019 JMG Cranes S.p.A. All rights reserved
Rev. 0 - 10/19



RentalMatch
GREEN POWER

Electric
Pick & Carry
Cranes



MC 25S (metric)
Max Capacity 2,500 kg

www.RentalMatch.eu



JMG[®]
movetosolution

MC 25S

SEQUENTIAL TELESCOPING BOOM

FRONT-WHEELS DRIVE WITH COUNTER ROTATION

TILTING HEAD 4 POSITIONS (-70°/-35°/0°/+10°)

REMOVABLE COUNTERWEIGHT

USB PLUG

BLOCKS AND HOOKS LODGING ON BOARD

Optionals:

- HYDRAULIC WINCH
- BENDABLE MANUAL EXTENSION
- NON-MARKING TIRES
- MAN BUCKET
- ATEX CONVERSIONS
- CUSTOMIZED PAINTING
- TOOL BOX



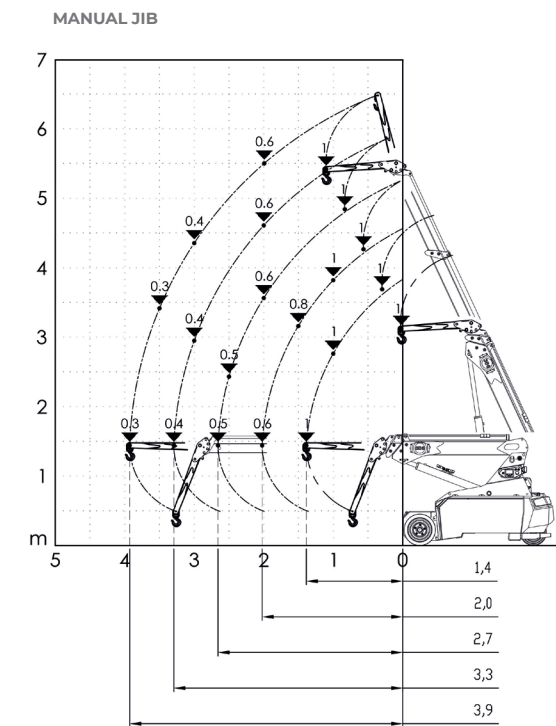
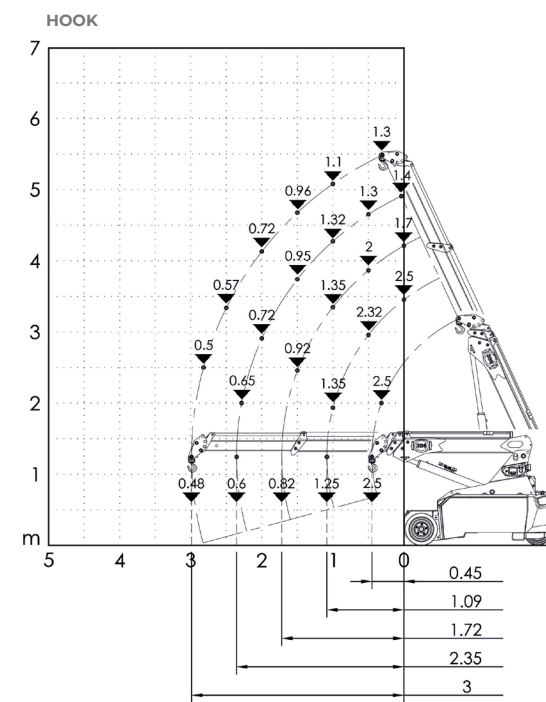
Technical features

Max Capacity kg	2.500
Dimensions mm	2190x900x1610

Front-wheels drive. 2 electric motors AC 2 kW 24V Insulation class H	L.M.I. Electronic safe load indicator and tilting moment limiter
Total Kg. 2.400 Removable counterweight Kg. 750	Automatic braking system on all wheels
24 V - 420 Ah 8 working hours	Fabricated from preformed and welded quality steel plate
Front nr. 2 superelastic 18x7-8" Rear nr. 2 superelastic 15x4 1/2-8"	+65°/-15°
Rear Steering angle -90°/+90°	Motor driven pump 3 kW - 24 V AC, Insulation class H

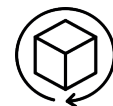


Load charts



EU Standards CE

	UNI ISO 4030-1: A1
	2006/42/CE - 2000/14/CE - 2014/30 UE - 2014/35/UE - D.Lgs 262/2002 subsequent modifications
	EN 13000:2014 subsequent modifications



Dimensions

