

Number**K339**

Manufacturer

Liebherr

Type

LTM1400-7.1

Lifting capacity

400 ton

Year

2012

Factory number

72192

Carrier

Chassis number

W09777000CEL05193-69

Engine

Liebherr V8 D9508

Capacity

450 KW

Emission

norm 97/68/EG

Engine Brake

no

Chalwyn valve

no

Spark arrestor

Yes

km

121216

23/09/2024

Hours

5931

23/09/2024

Transmission

ZF TC tronic met WSK en hydr. dyn. rem

Telma

WSB

Axle lines

7

Extra axle

norm 97/68/EG

Drive

14x8

Tyres

16,00 r25

Superstructure

Engine

Liebherr 6cil

Capacity

240KW

Emission

norm 97/68/EG

Chalwyn valve

liebherr motoroverlast beveiliging

Spark arrestor

yes

Hours

10921

23/09/2024

Main Boom

15,4 - 60,2m

Jib

7,0 - 56,0 m

Luffing jib

14,0 - 84,0 m

Counter weight

140ton

Hoist cable

Diameter

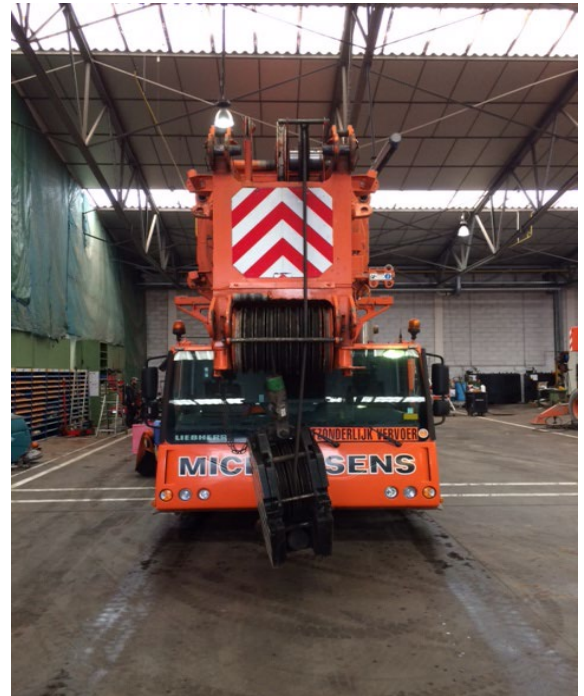
25mm

Length

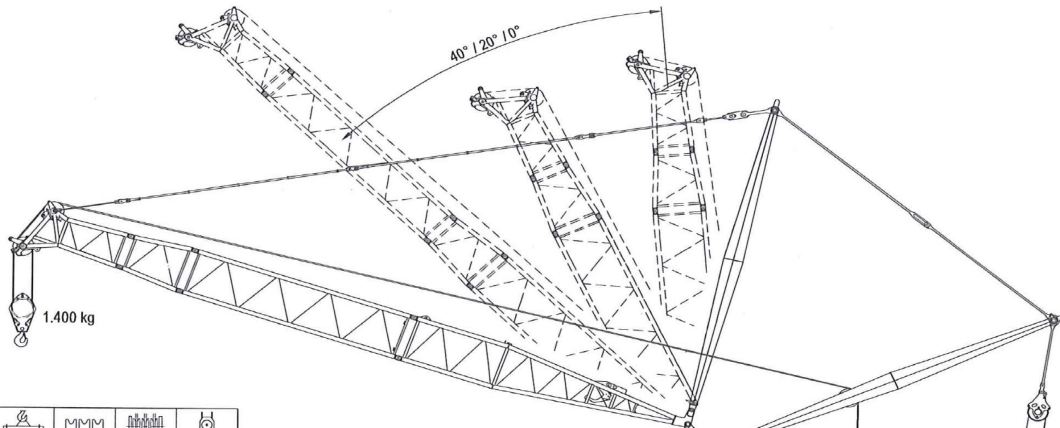
750

Hooks

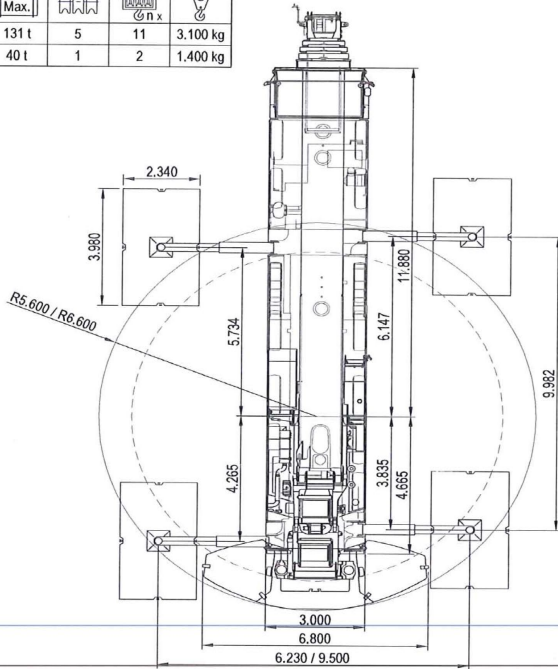
1 sheave wll 40 ton	5 sheave wll 130ton
weight 1400 kg	ramshoren
	weight 2500 + 600 kg



LIEBHERR LTM 1400-7.1

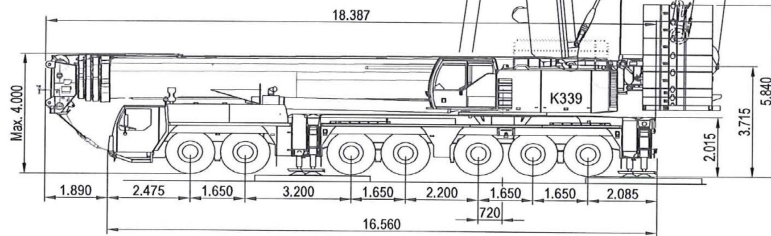


Max.	5	11	3,100 kg
131 t	1	2	1,400 kg



3,100 kg

MICHIELSENS



MICHIELSENS