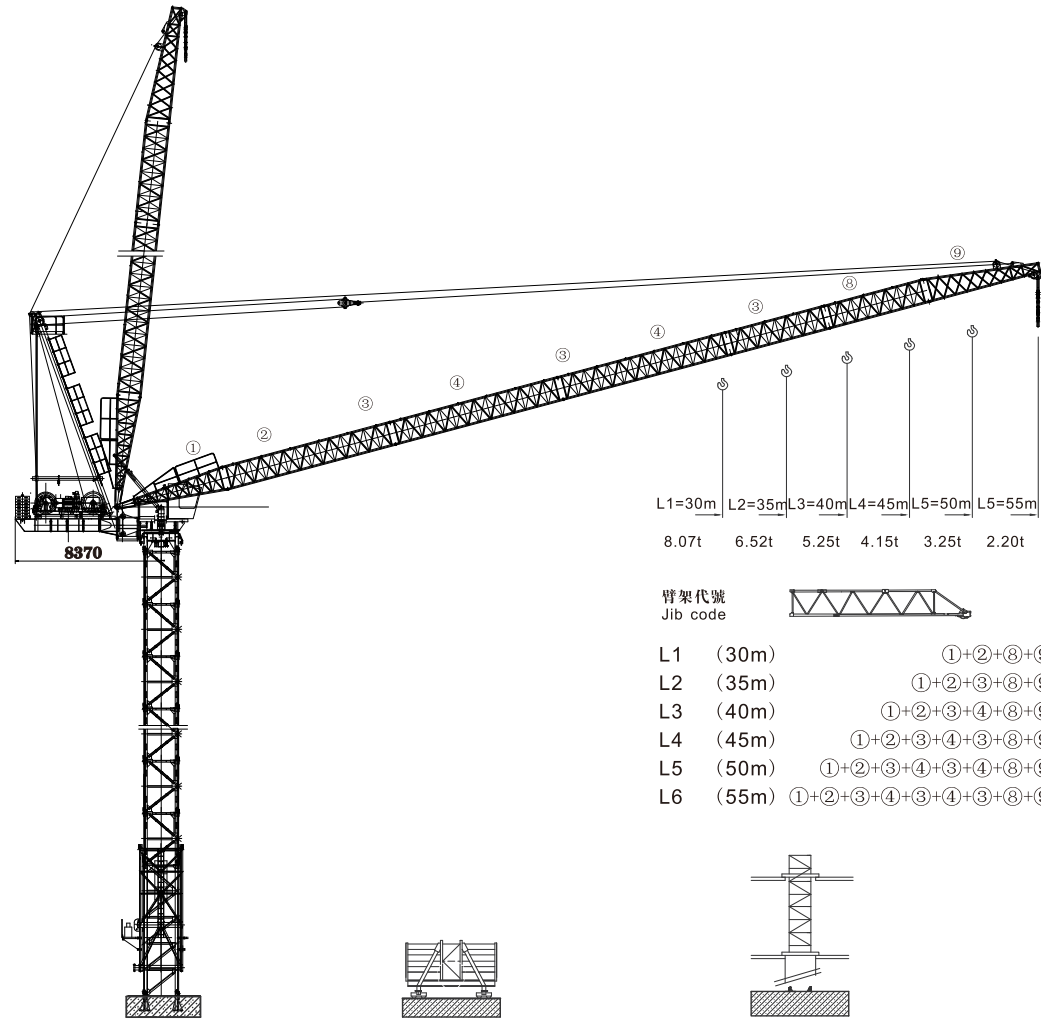
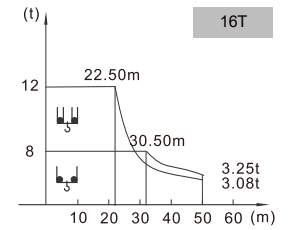


動臂系列 ZTL286

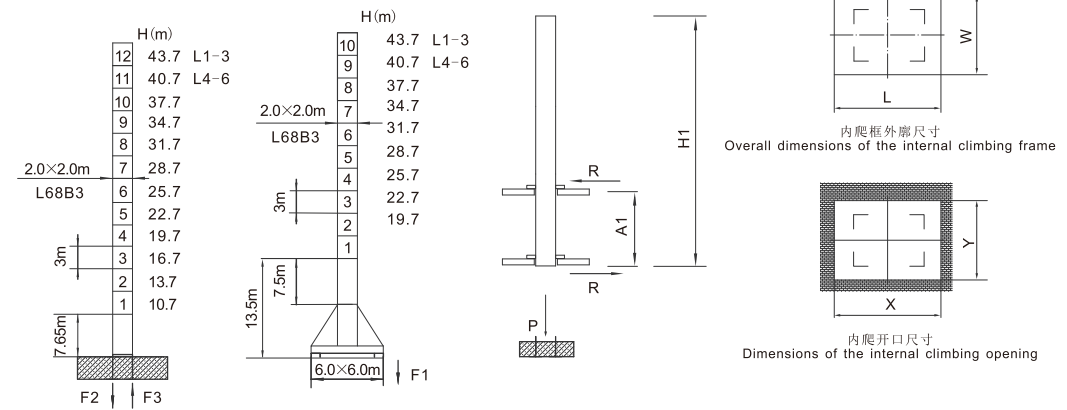


載荷表 Load Chart

R (m)	倍率 Fall	R (Cmax) (m)	Cmax (t)	15	20	25	30	35	40	45	50	55
55	II	29.5	8.00	8.00	8.00	8.00	7.74	6.00	4.68	3.67	2.86	2.20
	IV	22.5	12.00	12.00	12.00	10.40	7.90	6.18	4.90	3.90	3.08	
45	II	31.00	8.00	8.00	8.00	8.00	8.00	6.43	5.15	4.15		
	IV	18.00	16.00	16.00	14.20	10.51	8.03	6.26	4.98	3.98		
40	II	31.00	8.00	8.00	8.00	8.00	8.00	6.52	5.25			
	IV	18.00	16.00	16.00	14.20	10.51	8.07	6.35	5.08			
35	II	31.00	8.00	8.00	8.00	8.00	8.00	6.52				
	IV	18.00	16.00	16.00	14.20	10.51	8.07	6.35				
30	II	30.00	8.00	8.00	8.00	8.00	8.00					
	IV	18.00	16.00	16.00	14.20	10.51	8.07					



塔身截面 Mast L68B3 反力:Reactions



塔身节 Mast	H1 (m)	A1 (m)	P (t)	R (t)	X (m)	Y (m)	L (m)	W (m)
L68B3	43.5	16	102.0	28	3.28	2.40	3.50	3.02

● 工作状态支反力 In service reaction    ■ 非工作状态支反力 Out of service reaction  
 ⚖ 整机自由高度重量 (不含平衡重及压重重量) Total weight of free standing crane (excludes counter weight & ballast)

16t

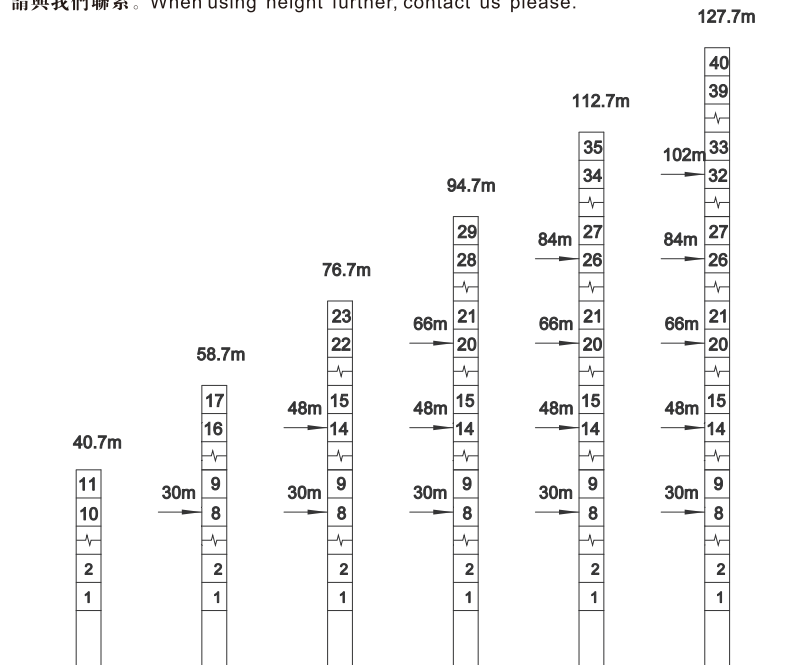
16t

附着 Anchoring

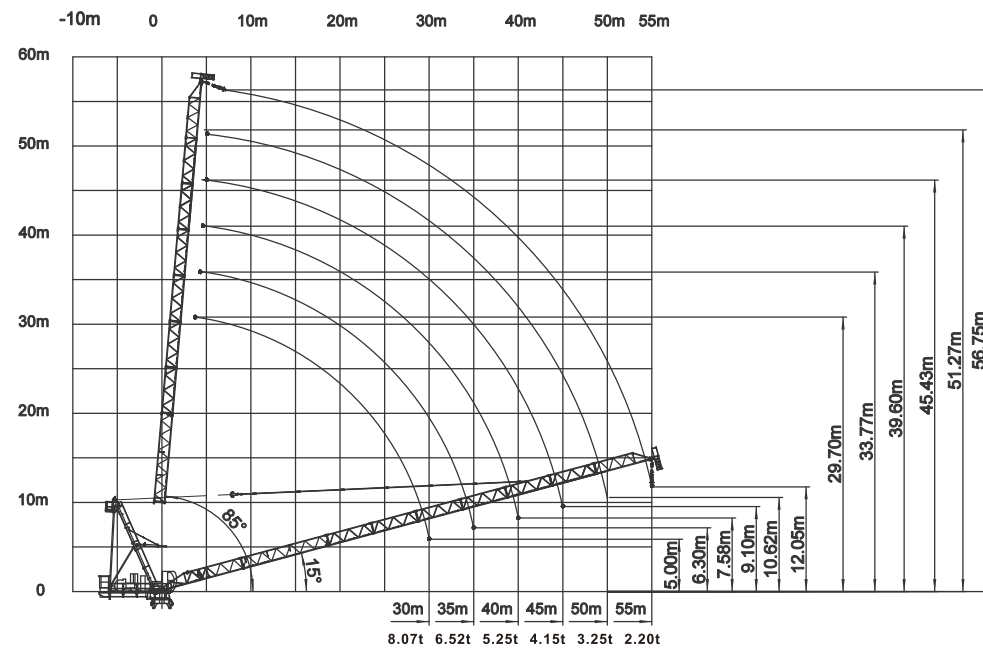
固定式附着高度 Anchoring height of stationary crane

塔身截面 Mast □2.0×2.0m

如需達到更高，請與我們聯系。When using height further, contact us please.



起重臂 Luffing Jib



動臂系列 ZTL286

主要性能參數 Specifications

機構 Mechanism	↑		↓			電動機 Motor kW
	m/min	t	m/min	t		
85LVF40L	0-8.4 0-40 0-80	8.0 8.0 4.0	0-4.2 0-20 0-40	16.0 16.0 8.0	680m >680m*	65
55DVF40L	15° -85° 3.2min					45
RVF7.5	0-0.7 rpm					2×7.5
RT	12.5-25 m/min					4×2.6/5.2
電壓 Pressure			kVA			
380V (±10%) 50Hz			167			

\* 與製造商聯系 Contact us, please.

☆ 標準配置 Standard configuration.

本技術參數不受法律約束，技術諮詢請詳見相應說明書或聯系我們。

These specifications and data are not legally binding. For any technical information, please refer to corresponding instructions or contact us.