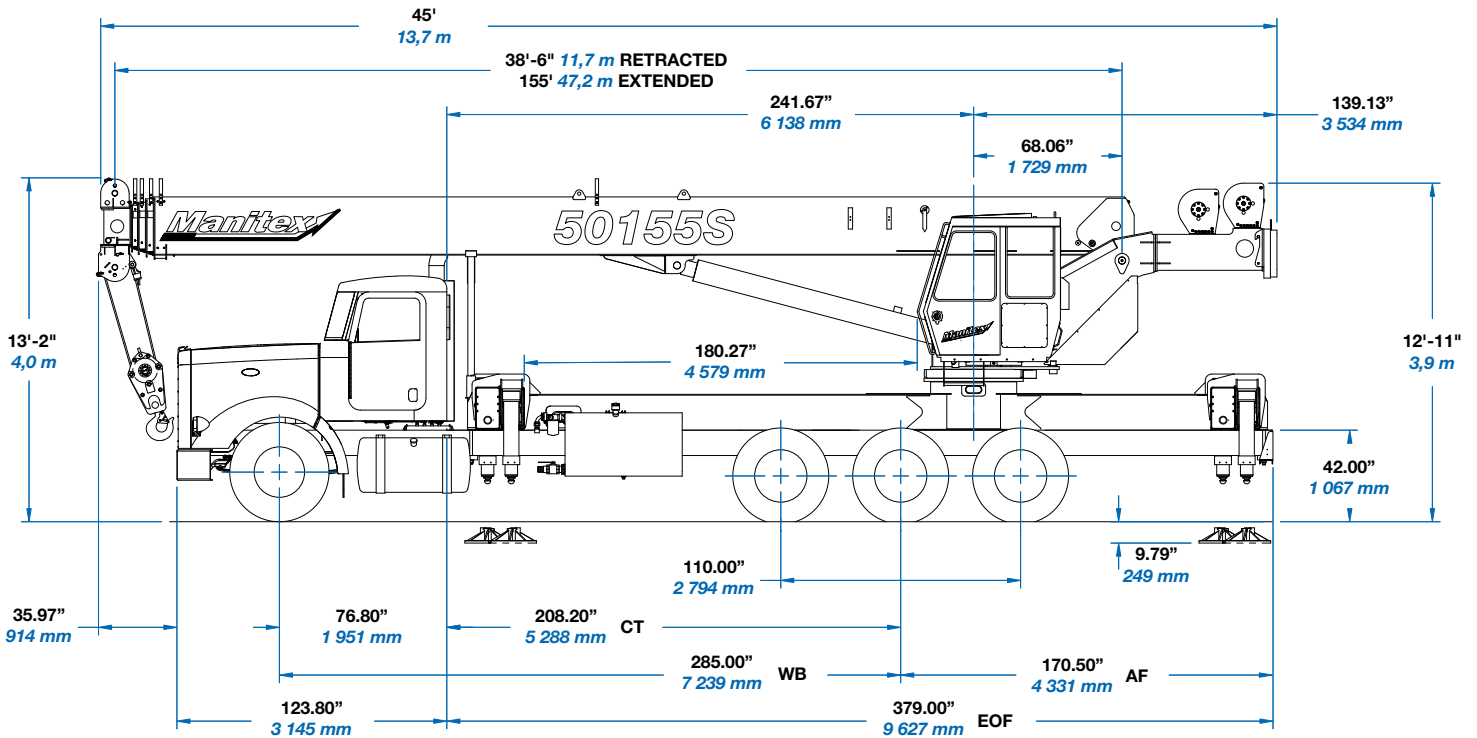


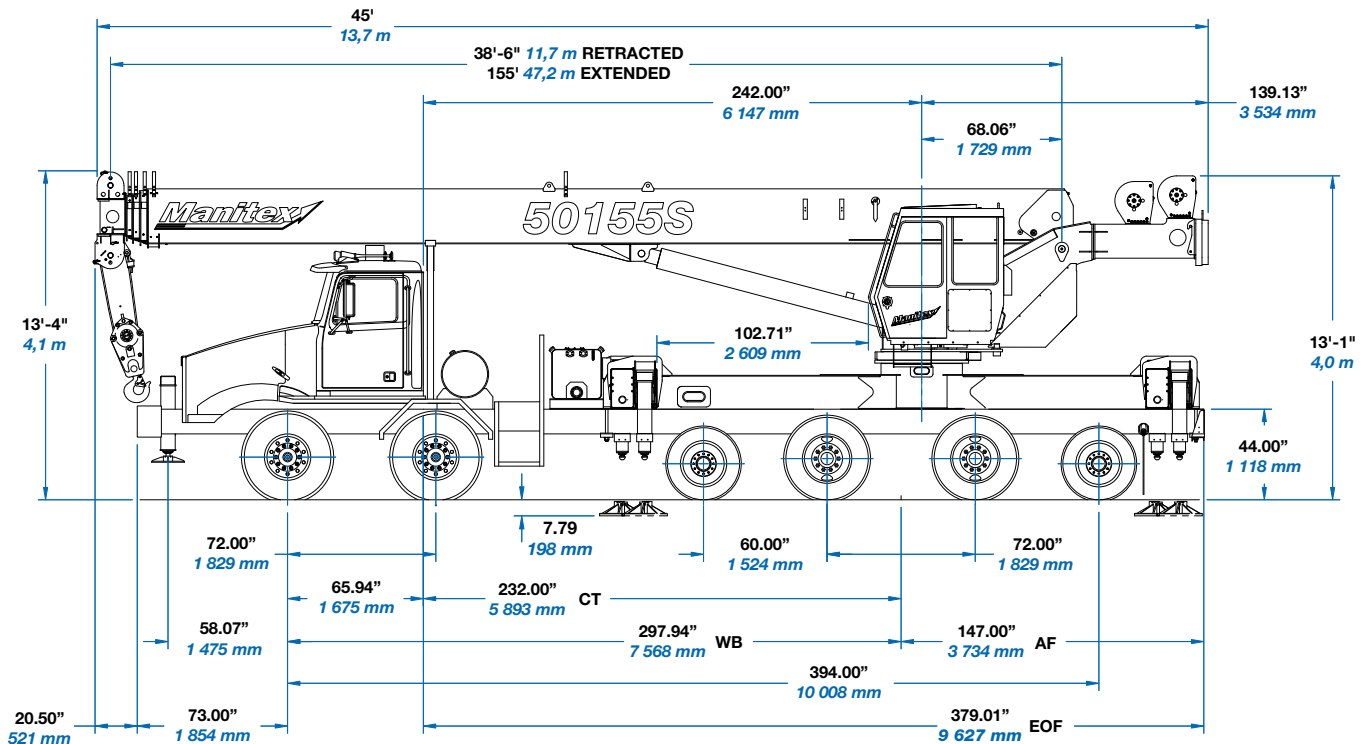
model 50155S

Configuration 1

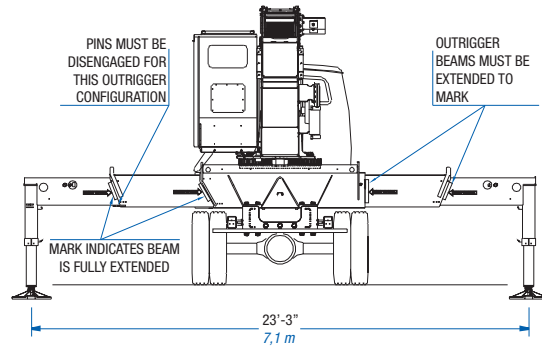


Configuration 2

FEDERAL BRIDGE COMPLIANT



USE THIS CHART ONLY WHEN ALL OUTRIGGER BEAMS ARE FULLY EXTENDED



NOTICE: This chart is for reference only and must not be used for lifting purposes.

FULLY EXTENDED OUTRIGGER SPREAD: MODEL 50155S

MAIN BOOM LOAD RATINGS

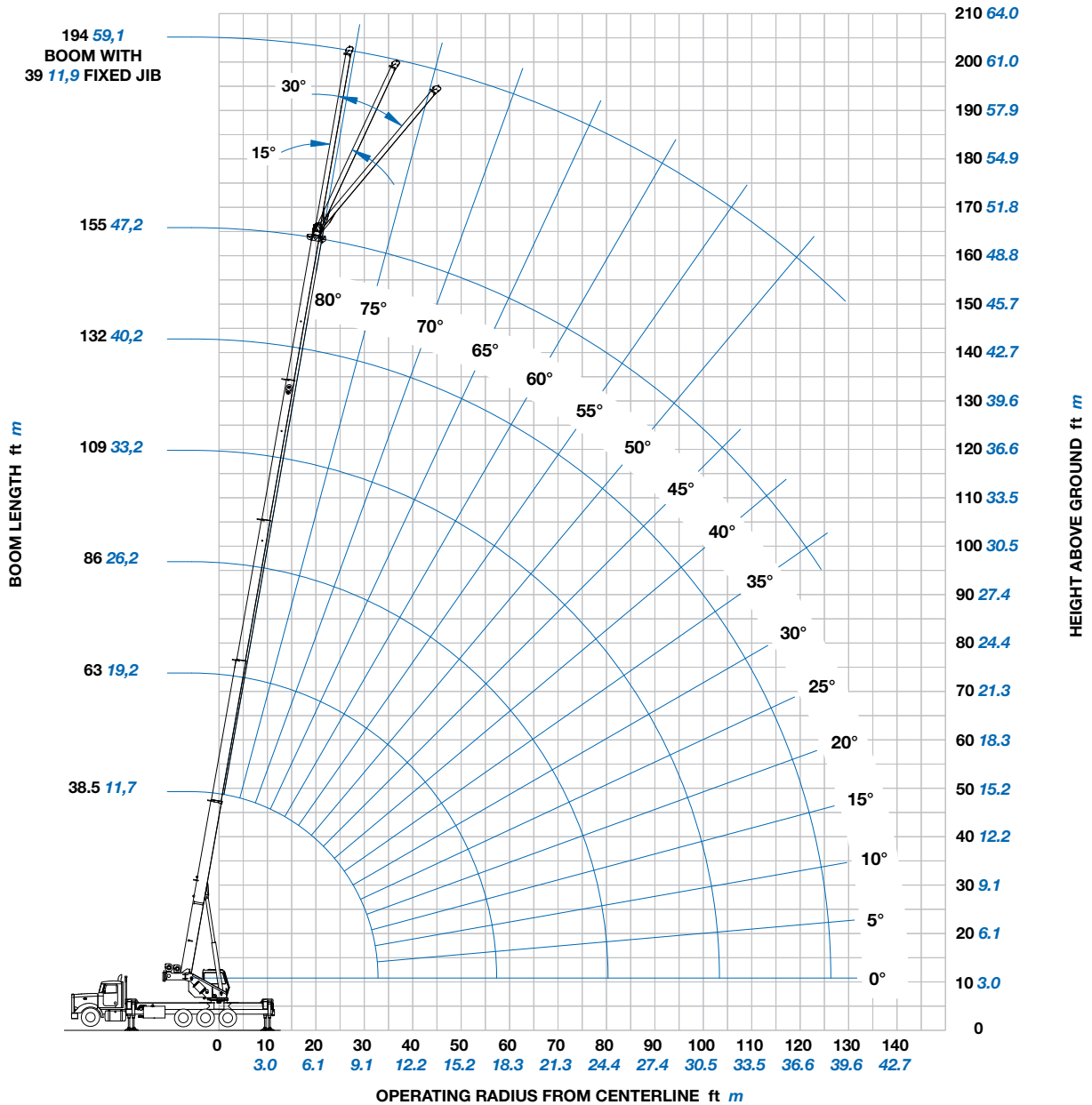
Load Radius		Boom Length 38.5 11,7				Boom Length 63 19,2				Boom Length 86 26,2				
		Code 1		Code 3		Code 1		Code 3		Code 1		Code 3		
		Over Rear		Full 360°		Over Rear		Full 360°		Over Rear		Full 360°		
Feet	Meters	Lb	Kg	Lb	Kg	Lb	Kg	Lb	Kg	Lb	Kg	Lb	Kg	
6	1,83	100000	45 359	100000	45 359									
8	2,44	85400	38 736	85400	38 736									
10	3,05	75100	34 064	75100	34 064	40000	18 143	40000	18 143					
12	3,66	67100	30 436	67100	30 436	40000	18 143	40000	18 143					
15	4,57	57700	26 172	57700	26 172	40000	18 143	40000	18 143	31000	14 061	31000	14 061	
20	6,10	46070	20 897	46070	20 897	38250	17 349	38250	17 349	28200	12 791	28200	12 791	
25	7,62	35280	16 002	35280	16 002	35040	15 893	35040	15 893	25970	11 779	25970	11 779	
30	9,14	27920	12 664	27490	12 469	29140	13 217	29140	13 217	23950	10 863	23950	10 863	
35	10,67					23890	10 836	21500	9 752	22080	10 015	22080	10 015	
40	12,19					19920	9 035	16460	7 466	20350	9 230	17010	7 715	
45	13,72					16810	7 624	12920	5 860	17250	7 824	13460	6 105	
50	15,24					14290	6 481	10280	4 662	14760	6 695	10820	4 907	
55	16,76					12200	5 533	8210	3 723	12710	5 765	8790	3 987	
60	18,29									11000	4 989	7180	3 256	
65	19,81									9540	4 327	5860	2 658	
70	21,34									8280	3 755	4760	2 159	
75	22,86									7170	3 252	3830	1 737	
80	24,38									4370	1 982	2990	1 356	
		960	435			590	267			430	195			STOWED JIB
		2620	1 188			2270	1 029			2130	966			ERECTED JIB

Deductions for Jib from Main Boom capacities

Load Radius		Boom Length 109 33,2				Boom Length 132 40,2				Boom Length 155 47,2				
		Code 1		Code 3		Code 1		Code 3		Code 1		Code 3		
		Over Rear		Full 360°		Over Rear		Full 360°		Over Rear		Full 360°		
Feet	Meters	Lb	Kg	Lb	Kg	Lb	Kg	Lb	Kg	Lb	Kg	Lb	Kg	
25	7,62	18000	8 164	18000	8 164									
30	9,14	17000	7 711	17000	7 711	13500	6 123	13500	6 123					
35	10,67	15920	7 221	15920	7 221	12900	5 851	12900	5 851	9000	4 082	9000	4 082	
40	12,19	14700	6 667	14700	6 667	12000	5 443	12000	5 443	9000	4 082	9000	4 082	
45	13,72	13570	6 155	13570	6 155	11300	5 125	11300	5 125	9000	4 082	9000	4 082	
50	15,24	12540	5 688	11100	5 034	10550	4 785	10550	4 785	8800	3 991	8800	3 991	
55	16,76	11580	5 252	9060	4 109	9610	4 359	9220	4 182	8320	3 773	8320	3 773	
60	18,29	10690	4 848	7450	3 379	9000	4 082	7600	3 447	7820	3 547	7700	3 492	
65	19,81	9780	4 436	6130	2 780	8430	3 823	6280	2 848	7340	3 329	6380	2 893	
70	21,34	8530	3 869	5040	2 286	7880	3 574	5190	2 354	6880	3 120	5290	2 399	
75	22,86	7440	3 374	4120	1 868	7390	3 352	4270	1 936	6410	2 907	4360	1 977	
80	24,38	6490	2 943	3330	1 510	6630	3 007	3480	1 578	5980	2 712	3570	1 619	
85	25,91	5650	2 562	2640	1 197	5790	2 626	2800	1 270	5560	2 521	2890	1 310	
90	27,43	4890	2 218	2040	925	5040	2 286	2200	997	5130	2 326	2300	1 043	
95	28,96	4210	1 909	1510	684	4370	1 982	1680	762	4460	2 023	1770	802	
100	30,48	3590	1 628	1030	467	3770	1 710	1210	548	3850	1 746	1310	594	
105	32,00					3220	1 460			3310	1 501	890	403	
110	33,53					2720	1 233			2810	1 274			
115	35,05					2260	1 025			2360	1 070			
120	36,58					1830	830			1940	879			
125	38,10					860	390			1550	703			
130	39,62									1190	539			
		340	154			280	127			240	108			STOWED JIB
		2050	929			1990	902			1950	884			ERECTED JIB

Deductions for Jib from Main Boom capacities

RANGE DIAGRAM



NOTES

- Load Charts for Full and Intermediate Outrigger spreads available.
- Custom configuration may require a front stabilizer.
- Meets ANSI B30.5 design recommendations.
- Do not operate crane or accessories within 10' (3,05 m) of live power lines.

