

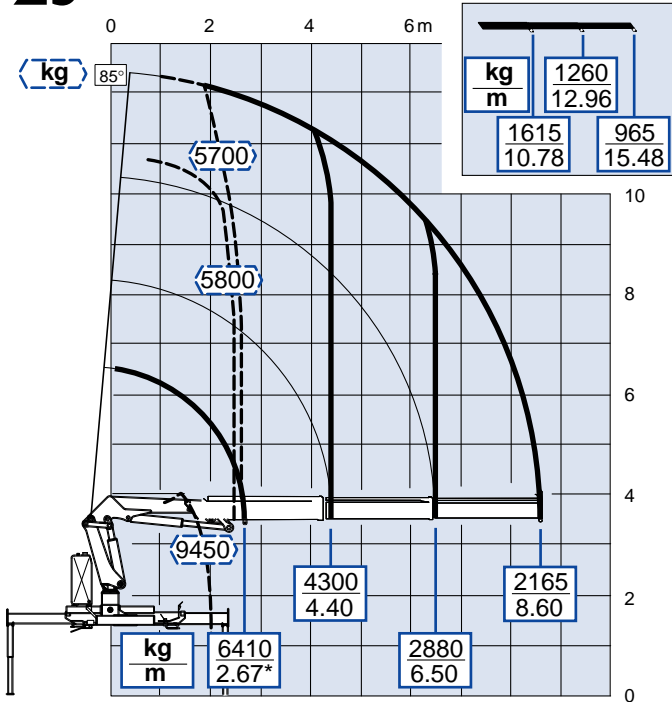
EFFER®

210

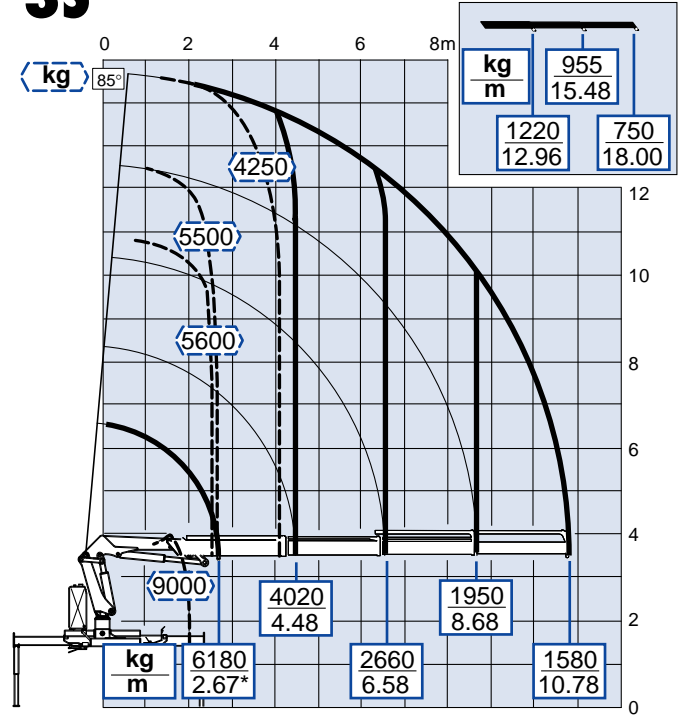


210

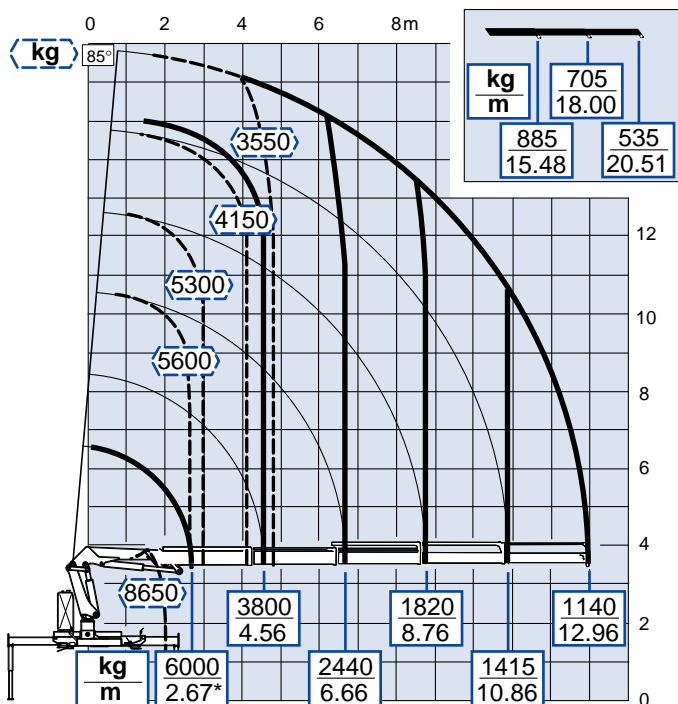
2S



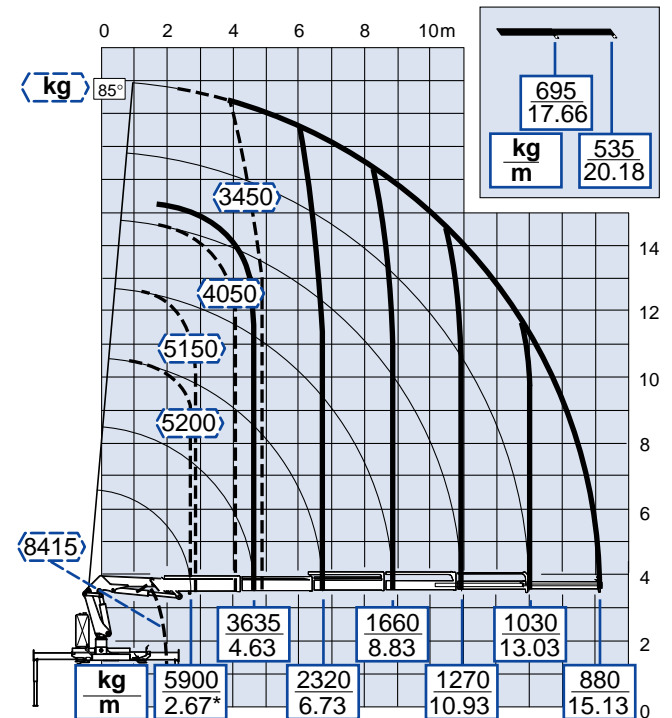
3S



4S



5S





DATI TECNICI
TECHNICAL DATA
TECHNISCHE DATEN
DONNEES TECHNIQUES

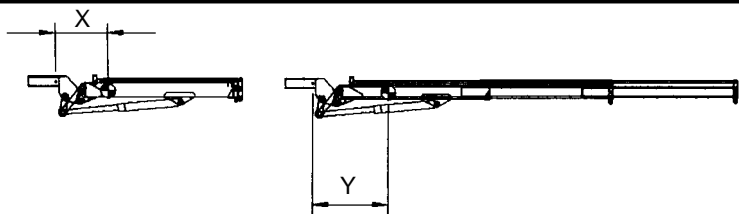
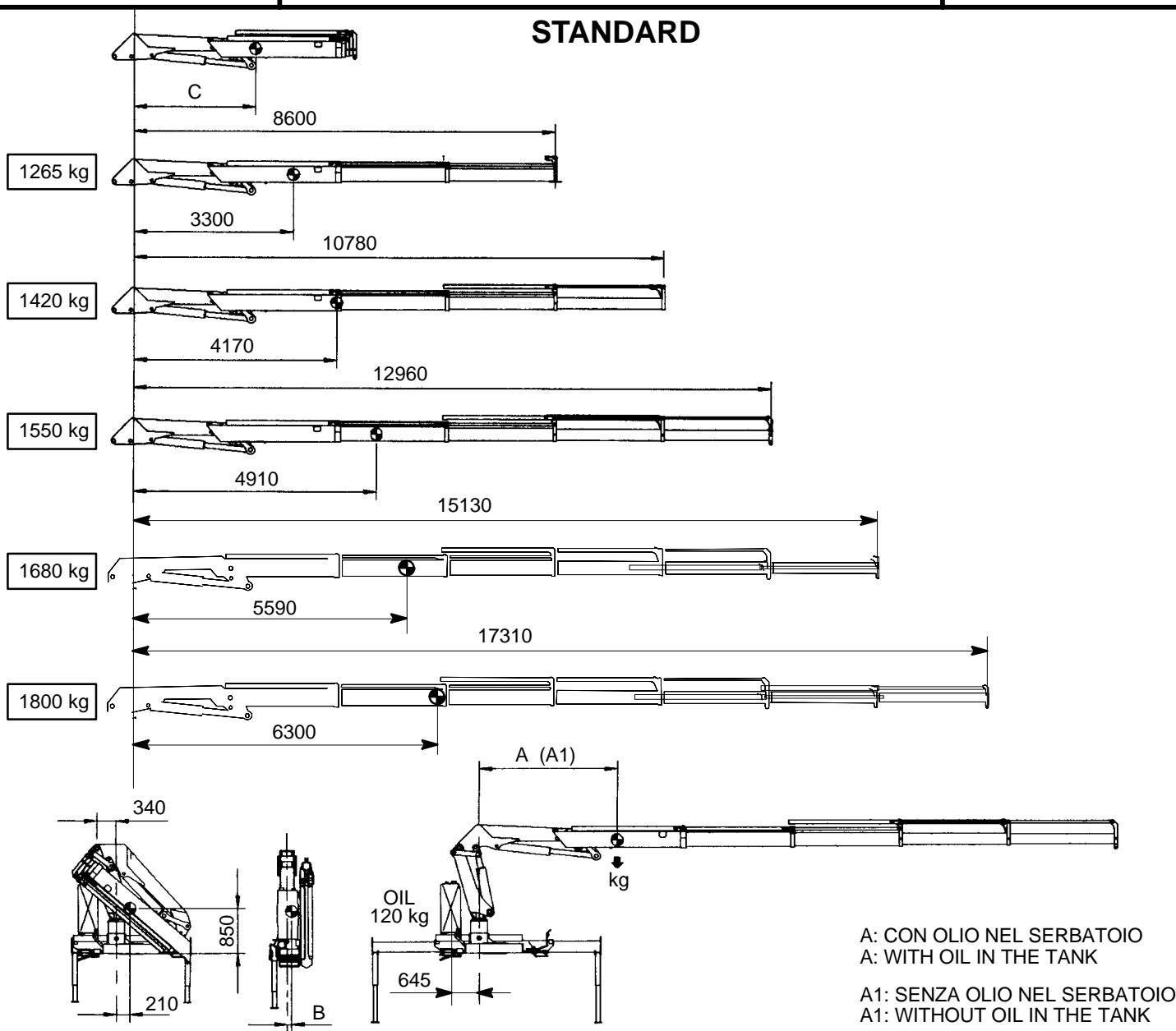
210

PESI E BARICENTRI WEIGHT - CENTER OF GRAVITY

COD. 2E.X.BAR.05

DATA: 04.12.96

STANDARD



	X	Y	
210 / 2S JIB 2S	870	1600	610 kg
210 / 3S JIB 2S	860	1250	550 kg
210 / 4S JIB 2S	860	1250	550 kg

		210 / 2S	210 / 3S	210 / 4S	210 / 5S	210 / 6S
↓ kg A		2640	2795	2925	3055	3175
A		1555	2095	2580	3050	3550
A1		1660	2215	2715	3200	3715
B		35	60	75	80	90
C		2200	2300	2360	2410	2450