

PK 12502 SH

PALFINGER

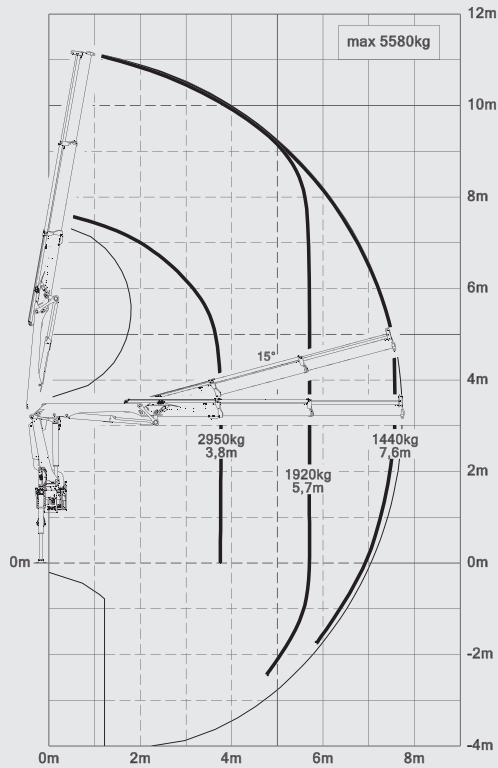
LIFETIME EXCELLENCE

**HIGH VARIETY OF USES GUARANTEES
HIGHEST EFFICIENCY, DURING THE
CRANE'S ENTIRE LIFETIME.**

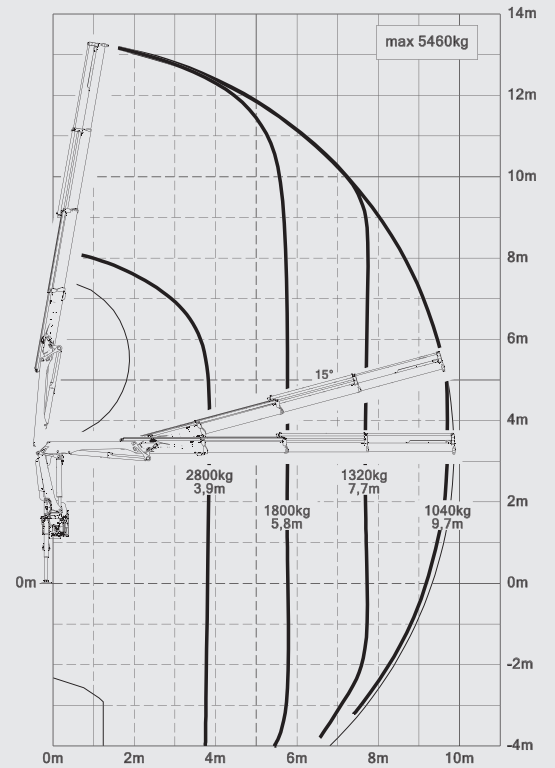


PK 12502 SH HIGH PERFORMANCE

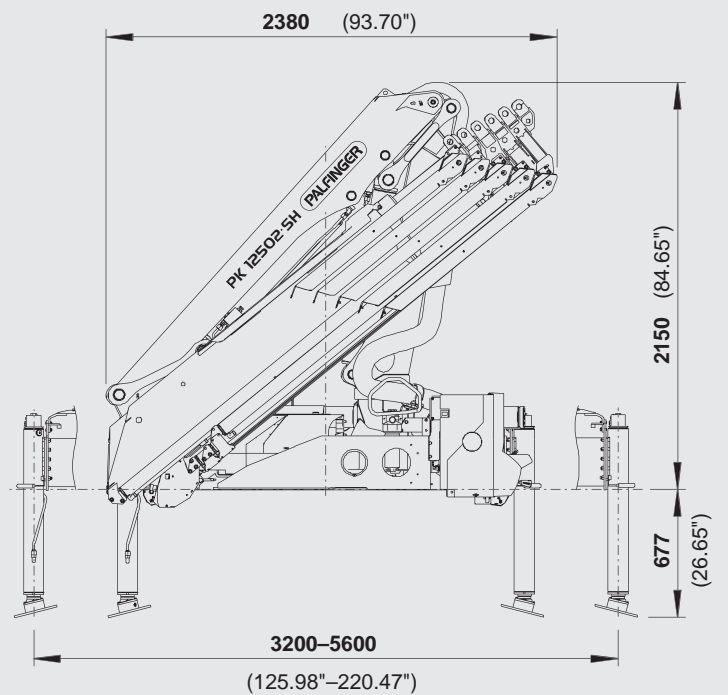
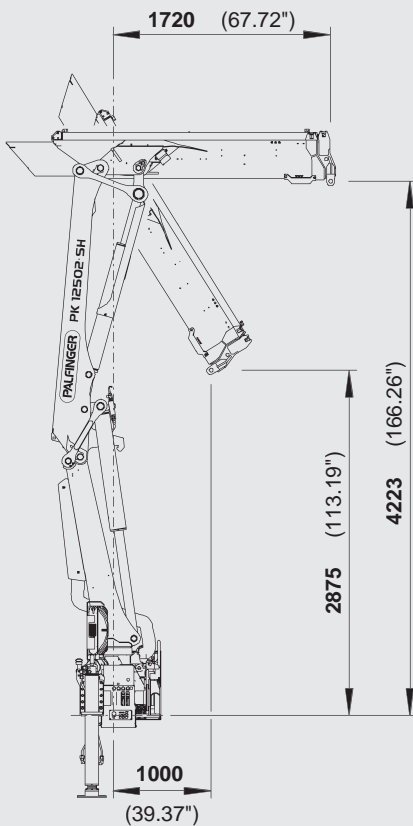
A



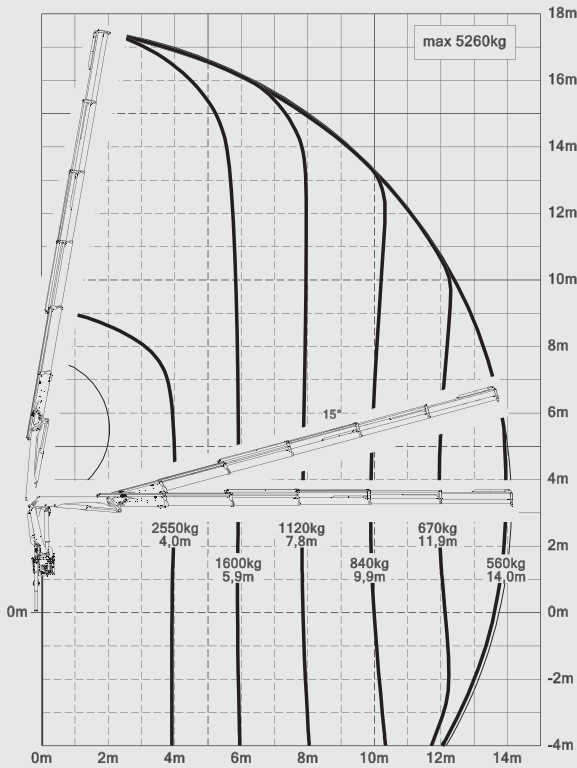
B



DIMENSIONS



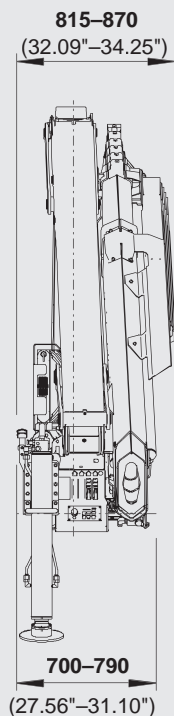
D



- Higher payloads due to intelligent lightweight design
- More lifting power due to S-HPLS
- Additional applications due to Power Link Plus
- Practical and attractive due to Functional Design
- High value retention due to KTL coating

TECHNICAL SPECIFICATIONS (EN 12999 HC1 HD5/B3)

Max. lifting moment	11.4 mt/112.0 kNm	82600 ft. lbs
Max. lifting capacity	5700 kg/55.9 kN	12570 lbs
Max. hydraulic outreach	14.1 m	46' 3"
Max. manual outreach	16.1 m	52' 10"
Slewing angle	400°	
Slewing torque	1.3 mt/12.7 kNm	9370 ft.lbs
Stabilizer spread	std. 3.2m/10' 6"	max. 5.6m/18' 4"
Fitting space required (std.)	0.70 m	2' 4"
Width folded	2.38 m	7' 10"
Max. operating pressure	365 bar	5293 psi
Recommended pump capacity	from 45 l/min	11.9 US gal./min
	to 60 l/min	15.9 US gal./min
Dead weight (std.)	1160 kg	2557 lbs



* Optional features / country-specific equipment