

GROVE®

RT530E-2

product guide

contents

Features

2

Specifications

3

Dimensions

5

Working Range

6

Load Charts

7

features

- 30 ton (27 mt) capacity
- 29 ft. - 95 ft. (8.8 m - 29.0 m) 4-section full power boom
- 26 ft. - 45 ft. (7.9 m - 13.7 m) offsettable telescopic swing-away extension
- Dual-axis electric joystick controllers
- Full frame decking
- Rounded cab design
- 160 hp (119 kw) Cummins diesel engine (tier III)



features

2



The RT530E-2 incorporates a rectangular boom shape made from 100k.s.i. steel which eliminates weight and maximizes structural capacities.



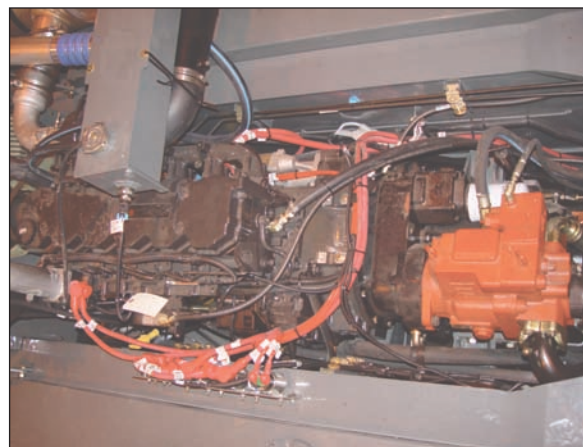
Rounded steel cab design provides aesthetic appeal.



Max. tip height of 146 ft. (44.5 m) w/45 ft. (13.7 m) telescopic extension.



Automotive style dash control panel designed to offer a less cluttered look while still offering full instrumentation.



Cummins QSB 6.7L diesel engine provides plenty of power at the jobsite and meets current emission standards.

specifications

3

Superstructure



Boom

29 ft. - 95 ft. (8.8 m - 29.0 m) four-section, synchronized full power boom.

Maximum tip height: 102.5 ft. (31.2 m).



*Optional Fixed Swingaway Extension

26 ft. (7.9 m) offsettable swingaway extension. Offsets at 0° and 30°. Stows alongside base boom section.

Maximum tip height: 127.6 ft. (38.9 m).



*Optional Telescopic Swingaway Extension

26 ft. - 45 ft. (7.9 m - 13.7 m) offsettable telescopic lattice swingaway extension. Offsets at 0° and 30°. Stows alongside base boom section.

Maximum tip height: 146 ft. (44.5 m).



Boom Nose

Three nylatron sheaves mounted on heavy duty tapered roller bearings with removable pin-type rope guards. Quick reeve type boom nose.



Boom Elevation

One double-acting hydraulic cylinder with integral holding valve provides elevation from -3° to +76°.



Load Moment & Anti-Two Block System

Standard "Graphic Display" load moment and anti-two block system with audio-visual warning and control lever lockout. These systems provide electronic display of boom angle, length, radius, tip height, relative load moment, maximum permissible load, load indication and warning of impending two-block condition. The standard Work Area Definition System allows the operator to pre-select and define safe working areas. If the crane approaches the pre-set limits, audio-visual warnings aid the operator in avoiding job-site obstructions.



Cab

Full vision, all steel fabricated with acoustical lining and tinted safety glass throughout. Deluxe seat incorporates armrest-mounted electric dual-axis controllers.

Dash panel incorporates gauges for all engine functions.

Other standard features include: tilt steering wheel, hot water heater, cab circulating air fan, sliding side and rear windows, sliding skylight with electric wiper and sunscreen, electric windshield wash/wipe, fire extinguisher and seat belt.



Swing

Single speed, planetary swing drive with foot applied multi-disc wet brake. Spring applied, hydraulically released swing brake.

Single position mechanical house lock, operated from cab.

Maximum speed: 2.0 RPM.



Counterweight

8,416 lbs. (3 817 kg) pinned to superstructure.



Hydraulic System

Two main pumps ([1] piston and [1] gear) with a combined capacity of 83.6 GPM (316.5 LPM).

Maximum operating pressure: 4,000 psi (275.7 bar).

Three section pressure compensated valve bank. Return line type filter with full flow by-pass protection and service indicator.

Replaceable cartridge with micron filtration rating of 5/12/16.

104.6 gallon (396 L) hyd. reservoir. System pressure test ports.

HOIST SPECIFICATIONS (HP15C-17G)

Main and Auxiliary Hoist

Planetary reduction with automatic spring applied multi-disc wet brake. Electronic hoist drum rotation indicators, and hoist drum cable followers.

Maximum Single Line Pull:

1st layer: 11,640 lbs. (5 280 kg)

3rd layer: 9,530 lbs. (4 323 kg)

5th layer: 8,060 lbs. (3 656 kg)

Maximum Permissible Line Pull:

11,640 lb. (5 280 kg.) with 6x37 class rope

11,640 lb. (5 280 kg.) with 35x7 class rope

Maximum Single Line Speed:

445 FPM (136 m/min)

Rope Construction:

6x36 EIPS IWRC, Special Flexible

35x7 Flex-X, Rotation Resistant

Rope Diameter:

5/8 in. (16 mm)

Rope Length:

Main Hoist 450 ft. (137.0 m)

Auxillary Hoist 450 ft. (137.0 m)

Maximum Rope Stowage:

596 ft. (181 m)

**Denotes optional equipment*

RT530E-2

GROVE.

specifications

4

Carrier

Chassis

Box section frame fabricated from high-strength, low alloy steel. Front/rear towing and tie down lugs.

Outrigger System

Four hydraulic telescoping single-stage double box beam outriggers with inverted jacks and integral holding valves. Three position setting, 0%, 50% and fully extended. All steel fabricated quick release type outrigger floats, 14.25 in. (362 mm) square. Maximum outrigger pad load: 54,800 lbs. (24 857 kg)

Outrigger Controls

Controls and crane level indicator located in cab.

Engine (Tier III)

Cummins QSB 6.7L diesel, six cylinders, 160 bhp (119 kW) (Gross) @ 2,500 RPM. Maximum torque: 540 ft. lb. (732 Nm) @ 1,500 RPM.

Fuel Tank Capacity

58 gallons (219 L)

Transmission

Range-shift 6 speed (3 speeds x 2 range, both forward & reverse). Front axle disconnect for 4 x 2 travel.

Electrical System

Two 12 V - maintenance free batteries. 12 V starting and lighting. Battery disconnect.CanBus Diagnostic system.

Drive

4 x 4

Steering

Fully independent power steering:
Front: Full hydraulic steering wheel controlled.
Rear: Full hydraulic switch controlled.
Provides infinite variations 4 main steering modes: front only, rear only, crab and coordinated.
Rear steer indicator.
Outside turning radius: 19.1 ft. (5.8m)
Inside turning radius: 13.1 ft. (4.0m)

Axles

Front: Drive/steer with differential and planetary reduction hubs rigid mounted to frame.
Rear: Drive/steer with differential and planetary reduction hubs pivot mounted to frame.

Oscillation Lockouts

Automatic full hydraulic lockouts on rear axle permits 10 in. (25.4 cm) oscillation only with boom centered over the front.

Brakes

Full hydraulic split circuit disc-type brakes operating on all wheels. Spring-applied, hydraulically released parking brake mounted on front axle.

Tires

Std. 20.5 x 25 - 24 bias ply
Option: 16.0 x 25-28 bias ply

Lights

Full lighting including turn indicators, head, tail, brake and hazard warning lights.

Maximum Speed

25 MPH (40 kph) @ 2500 r.p.m.

Gradeability (Theoretical)

119% (at engine stall)
(Based on 59,537 lb. [27 006 kg] GVW) 20.5 x 25 tires, 95 ft. (29.0m) main boom, plus 45 ft. (13.7m) telescopic swingaway, 8,416 lb. (3 817 kg) counterweight, 30T (27mt) hookblock and 7.5 T (6.8mt) headache ball.

Miscellaneous Standard Equipment

Full width steel fenders, full length steel decking with anti-skid, dual rear view mirrors, hook-block tiedown, electronic back-up alarm, light package, front stowage well, tachometer/hourmeter, rear wheel position indicator, 36,000 Btu hot water cab heater, hoist mirrors, engine distress A/V warning system, front/rear tie down and tow lugs, coolant sight level indicator.

*Optional Equipment

- * AUXILIARY HOIST PACKAGE (includes Model HP15C-17G auxiliary hoist with electronic hoist drum rotation indicator, hoist drum cable follower, 450 ft. (137.0 m) of 5/8 in. (16 mm) 35 x 7 class wire rope and auxiliary single sheave boom nose.
- *AUXILIARY LIGHTING PACKAGE (includes S/S mounted amber flashing light and dual base boom mounted halogen floodlights).
- *LMI light bar (in cab)
- *Air conditioning (28,500 BTU)
- *360 degree NYC style mechanical swing lock
- *Rear Pintle hook
- *Cab-controlled cross axle differential locks (front & rear)
- *PAT Data logger down-load kit
- *Rubber mat for stowage trough

**Denotes optional equipment*

RT530E-2

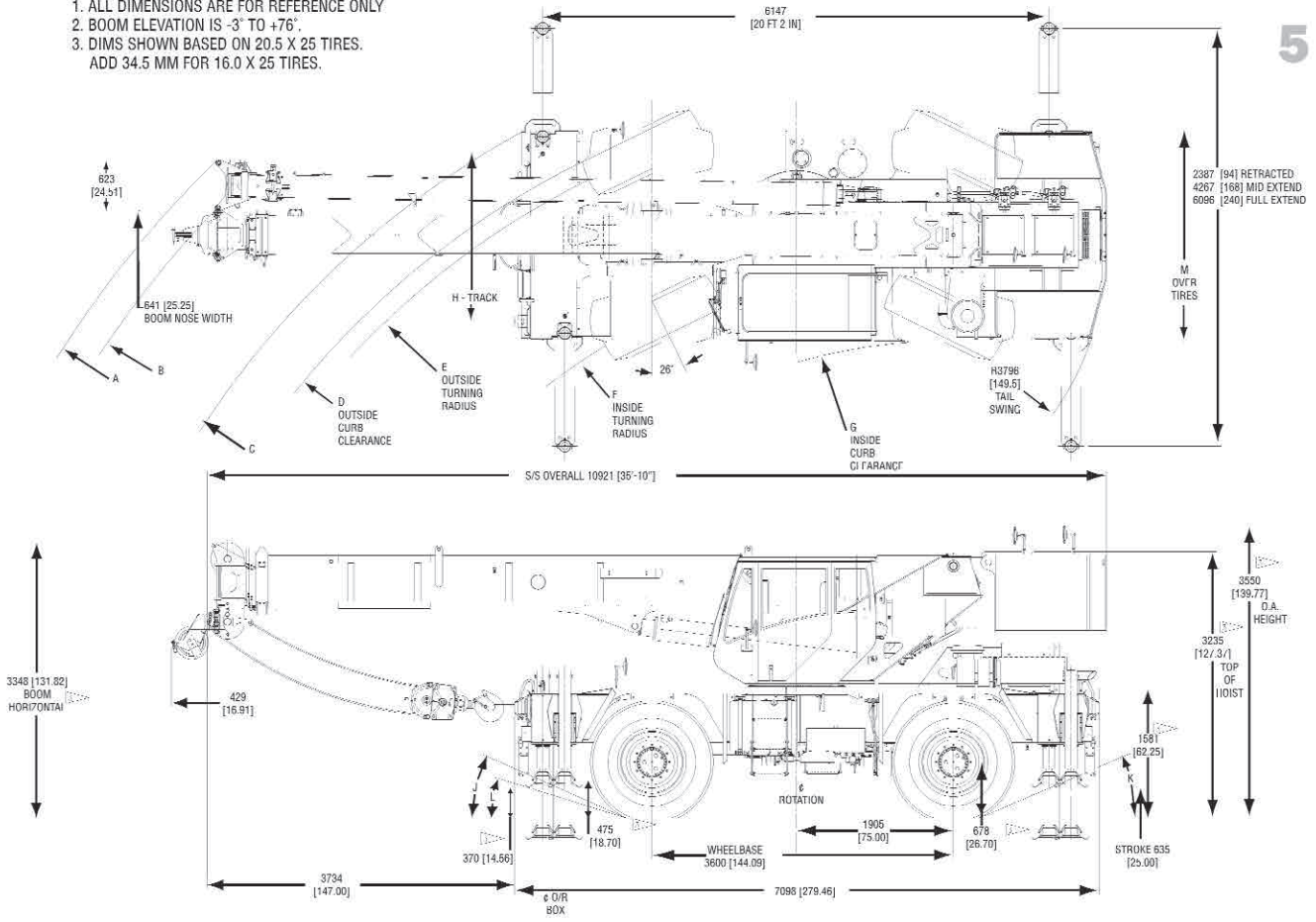
GROVE.

dimensions

	TIRE SIZE	A	B	C	D	E	F	G	H	J	K	L	M
2 WHEEL STEER	20.5 X 25	12838	12428	10899	10236	10007	8138	7021	2055	25.0"	22.5"	17.3"	2606
	16.0 X 25	12838	12428	10899	10185	9981	8138	7021	2093	26.0"	23.5"	18.3"	2536
4 WHEEL STEER	20.5 X 25	8967	8630	6732	6061	5832	4000	3498	2055	25.0"	22.5"	17.3"	2606
	16.0 X 25	8967	8630	6732	6010	5806	4000	3498	2093	26.0"	23.5"	18.3"	2536

NOTES: (ALL DIMENSIONS IN MM)

1. ALL DIMENSIONS ARE FOR REFERENCE ONLY
2. BOOM ELEVATION IS -3° TO +76°.
3. DIMS SHOWN BASED ON 20.5 X 25 TIRES.
ADD 34.5 MM FOR 16.0 X 25 TIRES.



NOTE: [] Reference dimensions in inches

Weights

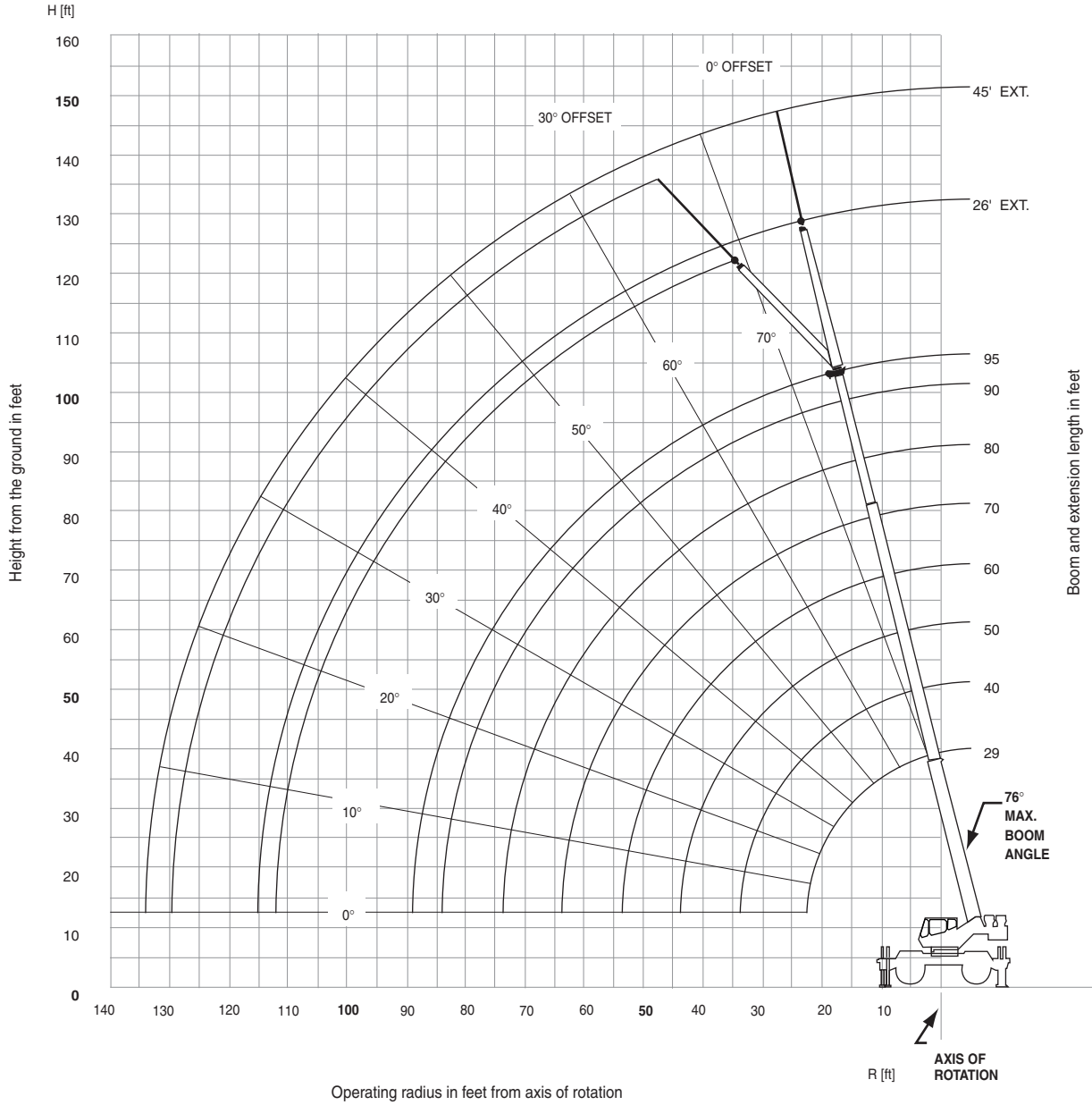
	GVW		Front		Rear	
	lb.	kg	lb.	kg	lb.	kg
RT530E-2 Basic Machine Basic Machine including 95 ft. (31.0m) main boom, main hoist with 450 ft. (137.0m) of rope, full counterweight + IPO, 7.5 T (6.8mt) headache ball, and 30T (27mt) hookblock:	56,995	25 853	25,353	11 500	31,642	14 353
ADD: Auxiliary hoist + 450 ft. (137.0m) of 35x7 hoist cable and auxiliary boom nose ILO IPO C/W	57,389	26 031	25,230	11 444	32,159	14 587
ADD: Fixed 26 ft. (7.9m) offsettable boom extension + extension hangers	59,067	26 793	27,925	12 667	31,142	14 126
OR ADD: 26 ft. - 45 ft. (7.9 - 13.7m) telescopic boom extension + extension hangers	59,537	27 006	28,598	12 972	30,939	14 034

RT530E-2

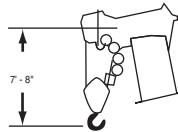
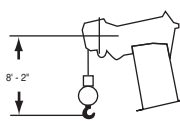
working range

Working range – 95 ft. Main Boom + 26-45 ft. extension

6



RT530E-2



Dimensions are for largest Grove furnished hookblock and headache ball, with anti-two block activated.

THIS CHART IS ONLY A GUIDE AND SHOULD NOT BE USED TO OPERATE THE CRANE. The individual crane's load chart, operating instructions and other instructional plates must be read and understood prior to operating the crane.

GROVE

RT530E-2 load chart



7

Feet	29	40	50	60	70	80	90	95
10	60,000 (60.5)	50,100 (69.5)	46,950 (74.5)					
12	54,650 (56)	50,100 (66.5)	44,950 (72)	*38,850 (76)				
15	42,850 (47.5)	43,800 (61.5)	41,050 (68)	36,000 (72)	*29,450 (76)	*22,450 (76)		
20	30,700 (30)	31,650 (53)	32,100 (61.5)	29,500 (67)	27,400 (71)	22,450 (73.5)	*18,550 (76)	*15,500 (76)
25		24,050 (42.5)	24,500 (54.5)	24,800 (61.5)	23,100 (66.5)	19,250 (70)	16,500 (72.5)	15,300 (74)
30		18,800 (29)	19,250 (47)	19,550 (56)	19,600 (61.5)	16,850 (66)	14,400 (69)	13,200 (70.5)
35			15,550 (38)	15,850 (49.5)	16,000 (56.5)	14,850 (61.5)	12,700 (65.5)	11,500 (67.5)
40			12,800 (26)	12,950 (42.5)	13,000 (51.5)	13,050 (57.5)	11,000 (62)	10,000 (64)
45				10,450 (34.5)	10,500 (46)	10,550 (53)	9,630 (58.5)	9,060 (60.5)
50				8,610 (23.5)	8,630 (39.5)	8,670 (48)	8,720 (54.5)	7,990 (57)
55					7,170 (32)	7,200 (43)	7,250 (50)	7,100 (53)
60					6,000 (22)	6,030 (37)	6,100 (45.5)	6,110 (49)
65						5,080 (30)	5,120 (40.5)	5,150 (44.5)
70						4,270 (20.5)	4,330 (35)	4,350 (40)
75							3,650 (28.5)	3,700 (34.5)
80							3,100 (20)	3,100 (28)
85								2,600 (20)

Minimum boom angle (°) for indicated length (no load)

Maximum boom length (ft.) at 0° boom angle (no load)

NOTE: () Boom angles are in degrees.

#LMI operating code. Refer to LMI manual for operating instructions.

*This capacity is based on maximum boom angle.

Lifting Capacities at Zero Degree Boom Angle On Outriggers Fully Extended - 360°

Boom Angle	Main Boom Length in Feet							
	29	40	50	60	70	80	90	95.2
0 deg.	26,100 (22.8)	15,800 (33.8)	11,000 (43.8)	7,430 (53.8)	5,220 (63.8)	3,730 (73.8)	2,660 (83.8)	2,220 (89)

NOTE: () Reference radii in feet.

A6-829-101755

RT530E-2

THIS CHART IS ONLY A GUIDE AND SHOULD NOT BE USED TO OPERATE THE CRANE. The individual crane's load chart, operating instructions and other instructional plates must be read and understood prior to operating the crane.

GROVE

RT530E-2 load chart

8



Pounds				
Feet	**26 ft. LENGTH		45 ft. LENGTH	
	#0021 0° OFFSET	#0023 30° OFFSET	#0041 0° OFFSET	#0043 30° OFFSET
30	*8,200 (76)			
35	8,200 (73.5)		*5,250 (76)	
40	8,200 (71)	*5,780 (76)	5,250 (75)	
45	8,120 (68.5)	5,780 (73.5)	4,940 (73)	
50	7,350 (66)	5,360 (71)	4,540 (71)	
55	6,370 (63)	4,750 (68)	4,150 (68.5)	*2,730 (76)
60	5,670 (60.5)	4,290 (65)	3,890 (66)	2,730 (74.5)
65	4,820 (57.5)	3,870 (62)	3,740 (64)	2,730 (72)
70	4,200 (54.5)	3,530 (59)	3,600 (61.5)	2,580 (69.5)
75	3,680 (51.5)	3,230 (56)	3,470 (59)	2,520 (67)
80	3,080 (48.5)	3,000 (52.5)	3,240 (56.5)	2,460 (64)
85	2,520 (45)	2,780 (49)	3,050 (54)	2,420 (61.5)
90	2,050 (41)	2,410 (45)	2,820 (51)	2,390 (58.5)
95	1,670 (37)	1,970 (40.5)	2,480 (48.5)	2,370 (55.5)
100	1,370 (32.5)	1,580 (35.5)	2,090 (45.5)	2,310 (52)
105	1,020 (27.5)		1,740 (42)	2,000 (49)
110			1,430 (38.5)	1,580 (45)
115			1,150 (35)	1,260 (40.5)
120			900 (30.5)	
Min. boom angle for indicated length (no load)	24°	30°	30°	30°
Max. boom length at 0° boom angle (no load)	80 ft.		80 ft.	

#LMI operating code. Refer to LMI manual for instructions. A6-829-100272A
 *This capacity based on maximum boom angle.
 **26 ft. capacities are also applicable to fixed offsettable ext. However, the LMI codes will change to #0051 and #0053 for 0° and 30° offset, respectively.

BOOM EXTENSION CAPACITY NOTES:

- All capacities above the bold line are based on structural strength of boom extension.
- 26 ft. and 45 ft. boom extension lengths may be used for single line lifting service.
- Radii listed are for a fully extended boom with the boom extension erected. For main boom lengths less than fully extended, the rated loads are determined by boom angle. Use only the column which corresponds to the boom extension length and offset for which the machine is configured. For boom angles not shown, use the rating of the next lower boom angle.
WARNING: Operation of this machine with heavier loads than the capacities listed is strictly prohibited. Machine tipping with boom extension occurs rapidly and without advance warning.
- Boom angle is the angle above or below horizontal of the longitudinal axis of the boom base section after lifting rated load.
- Capacities listed are with outriggers fully extended and vertical jacks set only.



Pounds				
Feet	#9005			
	Main Boom Length in Feet			
	29	40	50	60
10	25,550 (60.5)	25,550 (70)	*16,450 (76)	
12	20,600 (56)	20,600 (66.5)	16,450 (72)	
15	14,350 (47.5)	14,350 (62)	14,350 (68)	14,350 (72.5)
20	8,280 (30)	8,280 (53)	8,280 (61.5)	8,280 (67)
25		5,330 (42.5)	5,330 (54.5)	5,330 (61.5)
30		3,630 (29)	3,630 (47)	3,630 (56)
35			2,500 (38)	2,500 (49.5)
40			1,690 (26)	1,690 (42.5)
45				1,090 (34.5)
Min. boom angle for indicated length (no load)	34°			
Max. boom length at 0° boom angle (no load)	50 ft.			

NOTE: () Boom angles are in degrees.
 #LMI operating code. Refer to LMI manual for instructions.
 *This capacity is based upon maximum boom angle.

Lifting Capacity at Zero Degree On Rubber - 360°

Boom Angle	Main Boom Length in Feet		
	29	40	50
0°	6,110 (22.8)	2,730 (33.8)	1,210 (43.8)

NOTE: Reference radii in feet.

A6-829-100274C



Pounds				
Feet	#9005			
	Main Boom Length in Feet			
	29	40	50	60
10	30,100 (60.5)	26,550 (70)	16,450 (74.5)	
12	26,550 (56)	22,100 (66.5)	16,450 (72)	
15	22,100 (47.5)	22,100 (62)	16,450 (68)	16,450 (72.5)
20	16,050 (30)	16,050 (53)	16,050 (61.5)	16,050 (67)
25		11,005 (42.5)	11,005 (54.5)	11,005 (61.5)
30		8,060 (29)	8,060 (47)	8,060 (56)
35			6,110 (38)	6,110 (49.5)
40			4,720 (26)	4,720 (42.5)
45				3,680 (34.5)
50				2,870 (23.5)
Min. boom angle for indicated length (no load)	0°			
Max. boom length at 0° boom angle (no load)	60 ft.			

NOTE: () Boom angles are in degrees.
 #LMI operating code. Refer to LMI manual for instructions.

Lifting Capacity at Zero Degree On Rubber
 Stationary- Defined Arc Boom Centered Over Front

Boom Angle	Main Boom Length in Feet			
	29	40	50	60
0°	12,700 (22.8)	6,500 (33.8)	3,890 (43.8)	2,360 (53.8)

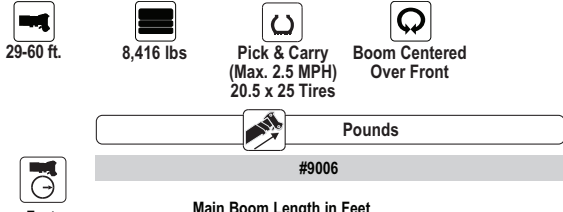
NOTE: Reference radii in feet.

A6-829-100275B

THIS CHART IS ONLY A GUIDE AND SHOULD NOT BE USED TO OPERATE THE CRANE. The individual crane's load chart, operating instructions and other instructional plates must be read and understood prior to operating the crane.

RT530E-2

RT530E-2 load charts



Feet	Main Boom Length in Feet			
	29	40	50	60
10	25,900 (60.5)	25,900 (70)	18,250 (74.5)	
12	22,350 (56)	22,350 (66.5)	18,250 (72)	
15	18,250 (47.5)	18,250 (62)	18,250 (68)	13,350 (72.5)
20	13,350 (30)	13,350 (53)	13,350 (61.5)	13,350 (67)
25		10,350 (42.5)	10,350 (54.5)	10,350 (61.5)
30		8,060 (29)	8,060 (47)	8,060 (56)
35			4,810 (38)	4,810 (49.5)
40			3,770 (26)	3,770 (42.5)
45				2,930 (34.5)
50				2,240 (23.5)
Min. boom angle for indicated length (no load)				0°
Max. boom length at 0° boom angle (no load)				60 ft.

NOTE: () Boom angles are in degrees.
#LMI operating code. Refer to LMI manual for instructions.

Lifting Capacity at Zero Degree On Rubber Pick & Carry - Boom Centered Over Front

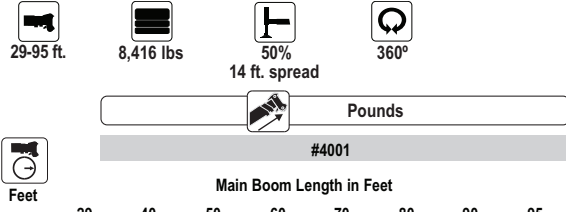
Boom Angle	Main Boom Length in Feet			
	29	40	50	60
0°	11,400 (22.8)	5,090 (33.8)	3,110 (43.8)	1,800 (53.8)

NOTE: Reference radii in feet.

A6-829-100276B

NOTES TO ALL RUBBER CAPACITY CHARTS:

- Capacities are in pounds and do not exceed 75% of tipping loads as determined by test in accordance with SAE J765.
- Capacities are applicable to machines equipped with 20.5x25 (24 ply) tires at 75 psi cold inflation pressure, and 16.00x25 (28 ply) tires at 100 psi cold inflation pressure.
- Defined Arc - Over front includes 6° on either side of longitudinal centerline of machine (ref. drawing C6-829-003529).
- Capacities appearing above the bold line are based on structural strength and tipping should not be relied upon as a capacity limitation.
- Capacities are applicable only with machine on firm level surface.
- On rubber lifting with boom extensions not permitted.
- For pick and carry operation, boom must be centered over front of machine, mechanical swing lock engaged and load restrained from swinging. When handling loads in the structural range with capacities close to maximum ratings, travel should be reduced to creep speeds.
- Axle lockouts must be functioning when lifting on rubber.
- All lifting depends on proper tire inflation, capacity and condition. Capacities must be reduced for lower tire inflation pressures. See lifting capacity chart for tire used. Damaged tires are hazardous to safe operation of crane.
- Creep - Not over 200 ft. of movement in any 30 minute period and not exceeding 1 mph.



Feet	Main Boom Length in Feet						
	29	40	50	60	70	80	95
10	60,000 (60.5)	48,000 (69.5)	45,000 (74.5)				
12	53,300 (56)	48,000 (66.5)	44,950 (72)	*37,000 (76)			
15	42,100 (47.5)	40,500 (61.5)	38,350 (68)	36,000 (72)	*27,400 (76)	*21,000 (76)	
20	23,950 (30)	23,850 (53)	23,900 (61.5)	24,050 (67)	23,200 (71)	21,000 (73.5)	*17,000 (76)
25		15,850 (42.5)	15,950 (54.5)	16,150 (61.5)	16,350 (66.5)	16,400 (70)	15,950 (72.5)
30		11,350 (29)	11,500 (47)	11,650 (56)	11,800 (61.5)	12,000 (66)	12,150 (69)
35			8,620 (38)	8,820 (49.5)	8,930 (56.5)	9,050 (61.5)	9,190 (65.5)
40			6,610 (26)	6,820 (42.5)	6,900 (51.5)	6,990 (57.5)	7,100 (62)
45				5,350 (34.5)	5,400 (46)	5,470 (53)	5,550 (58.5)
50				4,220 (23.5)	4,260 (39.5)	4,310 (48)	4,370 (54.5)
55				3,350 (32)	3,390 (43)	3,430 (50)	3,460 (53)
60					2,600 (22)	2,640 (37)	2,670 (45.5)
65						2,020 (30)	2,050 (40.5)
70						1,490 (20.5)	1,520 (35)
75							1,070 (28.5)
	0.1A (lb.)	660	610	580	560	550	540
	Minimum boom angle (°) for indicated length (no load)						15
	Maximum boom length (ft.) at 0° boom angle (no load)						80

NOTE: () Boom angles are in degrees.
#LMI operating code. Refer to LMI manual for operating instructions.
*This capacity is based on maximum boom angle.

Lifting Capacities at Zero Degree Boom Angle On Outriggers 50% Extended - 360°

Boom Angle	Main Boom Length in Feet			
	29	40	50	60
0 deg.	18,800 (22.8)	9,000 (33.8)	5,400 (43.8)	3,480 (53.8)
				2,100 (63.8)
				1,130 (73.8)

NOTE: () Reference radii in feet.

A6-829-100270A

THIS CHART IS ONLY A GUIDE AND SHOULD NOT BE USED TO OPERATE THE CRANE. The individual crane's load chart, operating instructions and other instructional plates must be read and understood prior to operating the crane.

load charts

10



		Pounds									
		#8001									
		Main Boom Length in Feet									
Feet		29	40	50	60	70	80	90	95		
10		34,700 (60.5)	32,400 (69.5)	30,400 (74.5)							
12		26,200 (56)	25,400 (66.5)	24,100 (72)	*22,900 (76)						
15		17,750 (47.5)	17,550 (61.5)	17,550 (68)	17,250 (72)	*16,550 (76)	*10,900 (76)				
20		10,650 (30)	10,600 (53)	10,650 (61.5)	10,750 (67)	11,000 (71)	10,900 (73.5)	*10,500 (76)	*10,350 (76)		
25			6,930 (42.5)	7,020 (54.5)	7,170 (61.5)	7,350 (66.5)	7,560 (70)	7,610 (72.5)	7,490 (74)		
30			4,670 (29)	4,780 (47)	4,950 (56)	5,080 (61.5)	5,240 (66)	5,390 (69)	5,480 (70.5)		
35				3,270 (38)	3,450 (49.5)	3,550 (56.5)	3,660 (61.5)	3,780 (65.5)	3,850 (67.5)		
40				2,170 (26)	2,370 (42.5)	2,440 (51.5)	2,520 (57.5)	2,620 (62)	2,670 (64)		
45					1,550 (34.5)	1,600 (46)	1,660 (53)	1,740 (58.5)	1,780 (60.5)		
50								1,050 (54.5)	1,080 (57)		
0.1A (lb)		660	610	580	560	550	540	540	530		
Minimum boom angle (°) for indicated length (no load)					33	43	51	53	55		
Maximum boom length (ft.) at 0° boom angle (no load)							50				

NOTE: () Boom angles are in degrees.
#LMI operating code. Refer to LMI manual for operating instructions.
*This capacity is based on maximum boom angle.

		Lifting Capacities at Zero Degree Boom Angle On Outriggers 0% Extended - 360°									
		Main Boom Length in Feet									
Boom Angle		29	40	50							
0 deg.		8,310 (22.8)	3,390 (33.8)	1,480 (43.8)							

NOTE: () Reference radii in feet.

A6-829-100271A



		Pounds									
		**26 ft. LENGTH				45 ft. LENGTH					
		#4021	#4023	#4041	#4043						
Feet		0° OFFSET	30° OFFSET	0° OFFSET	30° OFFSET						
30		*8,200 (76)									
35		8,200 (73.5)			*5,250 (76)						
40		6,940 (71)	*5,780 (76)		5,250 (75)						
45		5,580 (68.5)	5,780 (73.5)		4,940 (73)						
50		4,490 (66)	5,360 (71)		4,540 (71)						
55		3,600 (63)	4,350 (68)		4,150 (68.5)				*2,730 (76)		
60		2,860 (60.5)	3,430 (65)		3,490 (66)				2,730 (74.5)		
65		2,190 (57.5)	2,670 (62)		2,870 (64)				2,730 (72)		
70		1,610 (54.5)	2,030 (59)		2,340 (61.5)				2,580 (69.5)		
75		1,120 (51.5)	1,490 (56)		1,840 (59)				2,520 (67)		
80			1,020 (52.5)		1,400 (56.5)				2,260 (64)		
85					1,020 (54)				1,760 (61.5)		
90									1,310 (58.5)		
0.1A (lb.)		570	540		500				460		
Min. boom angle for indicated length (no load)		44°	46°		48°				49°		
Max. boom length at 0° boom angle (no load)			60 ft.		60 ft.						

NOTE: () Boom angles are in degrees. A6-829-100273B
#LMI operating code. Refer to LMI manual for instructions.
*This capacity based on maximum boom angle.
**26 ft. capacities are also applicable to fixed offsettable ext. However, the LMI codes will change to #4051 and #4053 for 0° and 30° offset, respectively.

BOOM EXTENSION CAPACITY NOTES:

- All capacities above the bold line are based on structural strength of boom extension.
- 26 ft. and 45 ft. boom extension lengths may be used for single line lifting service.
- Radii listed are for a fully extended boom with the boom extension erected. For main boom lengths less than fully extended, the rated loads are determined by boom angle. Use only the column which corresponds to the boom extension length and offset for which the machine is configured. For boom angles not shown, use the rating of the next lower boom angle.
WARNING: Operation of this machine with heavier loads than the capacities listed is strictly prohibited. Machine tipping with boom extension occurs rapidly and without advance warning.
- Boom angle is the angle above or below horizontal of the longitudinal axis of the boom base section after lifting rated load.
- Capacities listed are with outriggers properly extended and vertical jacks set only.

RT530E-2

THIS CHART IS ONLY A GUIDE AND SHOULD NOT BE USED TO OPERATE THE CRANE. The individual crane's load chart, operating instructions and other instructional plates must be read and understood prior to operating the crane.

GROVE

load handling

11

Weight Reductions for Load Handling Devices

26 ft. Offsettable Boom Extension	Pounds
*Erected -	2,960

26 ft.-45 ft. Tele. Boom Extension	Pounds
*Erected (Retracted) -	4,220
*Erected (Extended) -	5,780

*Reduction of main boom capacities

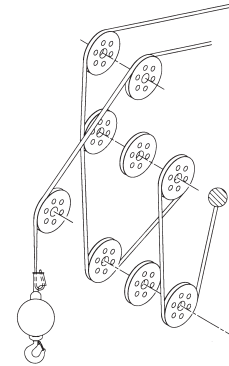
Auxiliary Boom Nose	Pounds
	142

Hookblocks and Headache Balls	Pounds
30 Ton, 3 Sheave	580 +
15 Ton, 2 Sheave	425 +
7.5 Ton Overhaul Ball	354 +
7.5 Ton Headache Ball	338 +

*Refer to rating plate for actual weight.

When lifting over swingaway and/or jib combinations, deduct total weight of all load handling devices reeved over main boom nose directly from swingaway or jib capacity.

NOTE: All load handling devices and boom attachments are considered part of the load and suitable allowances MUST BE MADE for their combined weights. Weights are for Grove furnished equipment.



Line Pulls and Reeving Information

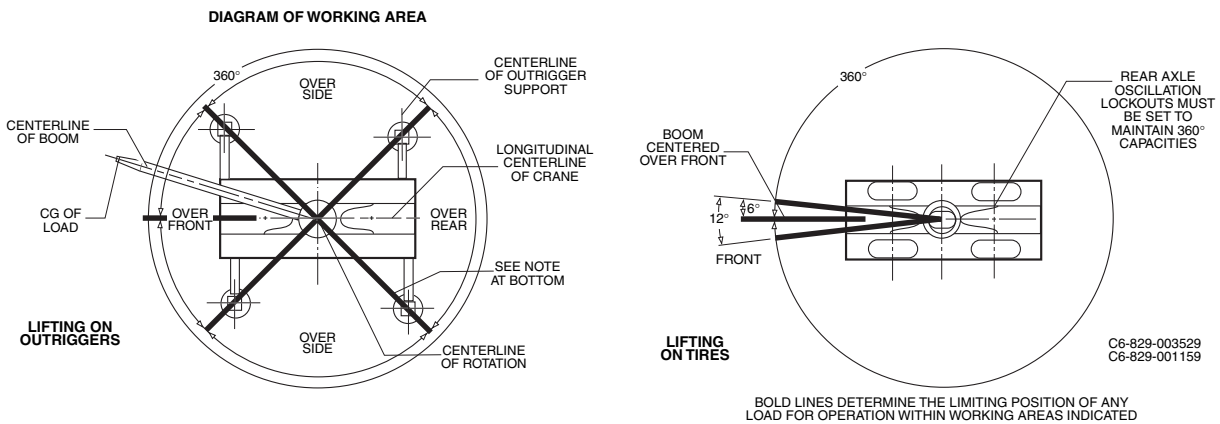
Hoists	Cable Specs	Permissible Line Pulls	Nominal Cable Length
Main & Aux.	5/8" (16 mm) Flex-X35 (35x7)	11,640 lb.	450 ft.
	Rotation Resistant (non-rotating) Min. Breaking Str. 61,200 lb.		
Main	5/8" (16 mm) 6x37 Class	11,640 lb.	450 ft.
	EIPS, IWRC Special Flexible Min. Breaking Str. 41,200 lb.		

Hoist Performance

Wire Rope Layer	Hoist Line Pulls Available lb.*	Drum Rope Capacity (ft.)	
		Layer	Total
1	11,640	77	77
2	10,480	85	162
3	9,530	94	256
4	8,730	102	358
5	8,060	111	469
6	7,490	119	588

*Max. lifting capacity: 6x37 class = 11,640 lb.
35x7 class = 11,640 lb.

Working Area Diagram



Bold lines determine the limiting position of any load for operation within working areas indicated.

THIS CHART IS ONLY A GUIDE AND SHOULD NOT BE USED TO OPERATE THE CRANE. The individual crane's load chart, operating instructions and other instructional plates must be read and understood prior to operating the crane.

RT530E-2

GROVE



Manitowoc Crane Group - Americas

Manitowoc, Wisconsin Facility
Tel: [Int + 001] 920 684 6621
Fax: [Int + 001] 920 683 6277
Shady Grove, Pennsylvania Facility
Tel: [Int + 001] 717 597 8121
Fax: [Int + 001] 717 597 4062

Manitowoc Crane Group - EMEA

Europe Middle East & Africa
Tel: [Int + 33] (0) 472 18 20 20
Fax: [Int + 33] (0) 472 18 20 00

Manitowoc Crane Group - UK

Europe Middle East & Africa
Tel: [Int + 44] (0) 191 565 6281
Fax: [Int + 44] (0) 191 564 0442

Manitowoc Crane Group - Germany

(Sales, Parts & Service)
Tel: [Int + 49](0) 2173 8909 0
Fax: [Int + 49] (0) 2173 8909-30

Manitowoc Crane Group - France

France & Africa (Sales, Parts & Service)
Tel: [Int + 33] (0) 1 303 13150
Fax: [Int + 33] (0) 1 303 86085

Manitowoc Crane Group - Netherlands

(Sales, Parts & Service)
Tel: [Int + 31] (0) 76 578 39 99
Fax: [Int + 31] (0) 76 578 39 78

Manitowoc Crane Group - Italy

Italy & Southern Europe (Sales, Parts & Service)
Tel: [Int + 39] (0) 331 49 33 11
Fax: [Int + 39] (0) 331 49 33 30

Manitowoc Crane Group - Portugal

Portugal & Spain (Sales, Parts & Service)
Tel: [Int + 351] (0) 22 968 08 89
Fax: [Int + 351] (0) 22 968 08 97

Manitowoc Crane Group - Singapore

Asia/Pacific excl China (Sales, Parts & Service)
Tel: [Int + 65] 6861 1733
Fax: [Int + 65] 6862 4040 / 4142

Manitowoc Crane Group - Shanghai

China (Sales, Parts & Service)
Tel: [Int + 86] (0) 21 64955555
Fax: [Int + 86] (0) 2164852038

Manitowoc Crane Group - Beijing

China (Sales, Parts & Service)
Tel: [Int + 86] (0) 10 646 71690
Fax: [Int + 86] (0) 10 646 71691

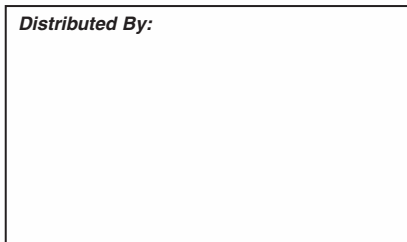
Manitowoc Crane Group - Middle East

(Sales)
Tel: [Int + 971] (0) 4 348 4478
Fax: [Int + 971] (0) 4 348 4478

(Parts & Service)

Tel: [Int + 973] (0) 9 660 899
Fax: [Int + 973] (0) 2 707 740

Distributed By:



www.manitowoccrane.com



Constant improvement and engineering progress make it necessary that we reserve the right to make specification, equipment, and price changes without notice. Illustrations shown may include optional equipment and accessories, and may not include all standard equipment.