

EN-US

---

# LR 1160.1

---

LR 1003.04.07/08  
[www.liebherr.com](http://www.liebherr.com)

## LIEBHERR

Crawler cranes

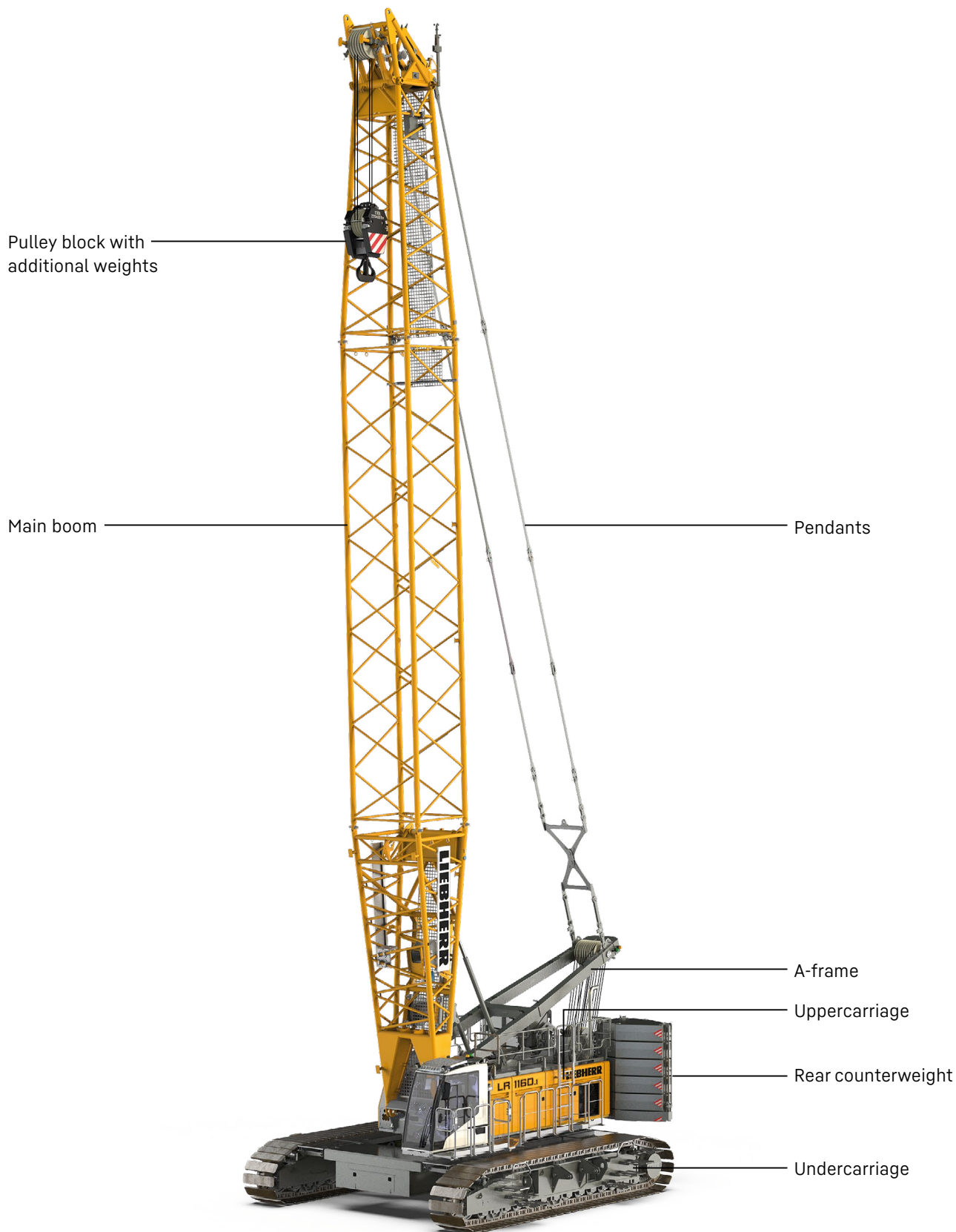


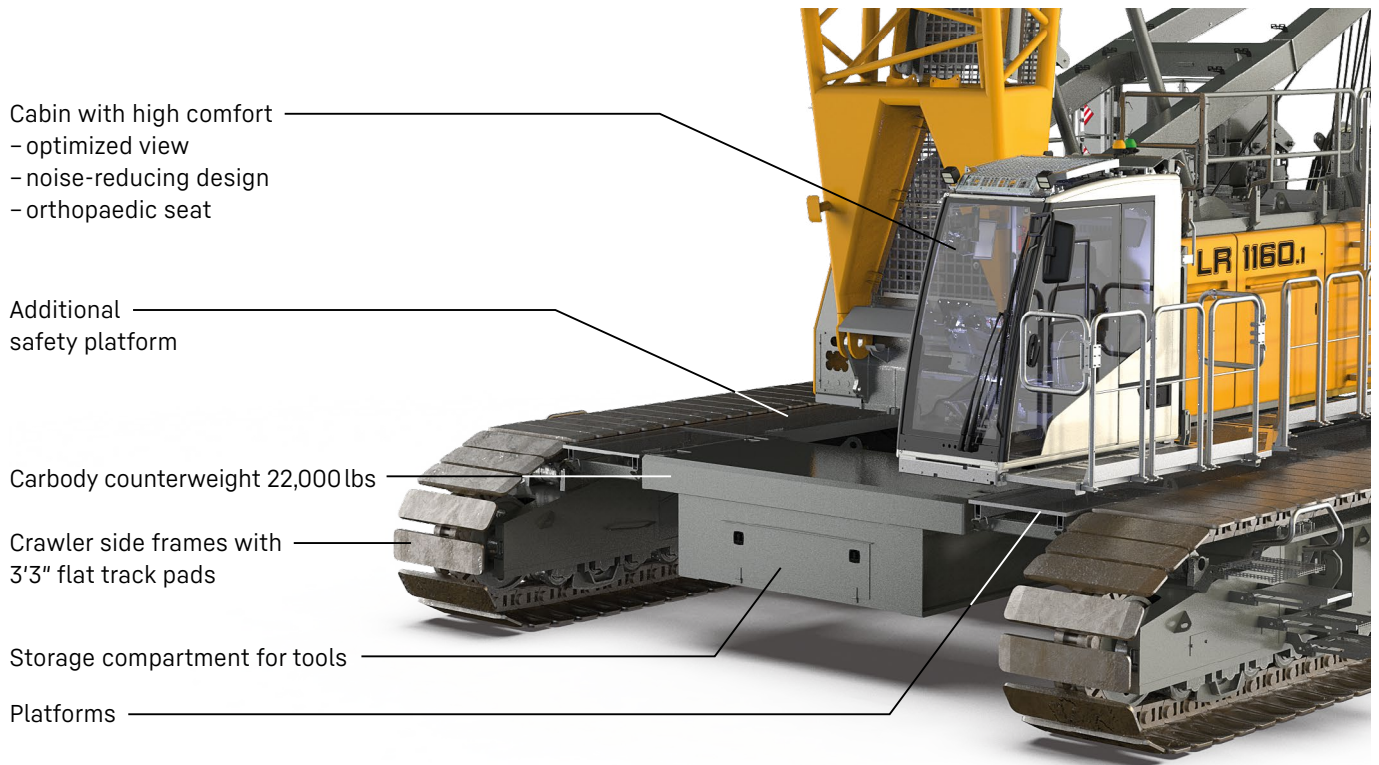
|   |    |
|---|----|
| <b>Concept and characteristics</b> .....      | 3  |
| <b>Technical description</b> .....            | 6  |
| <b>Dimensions</b> .....                       | 8  |
| <b>Transport dimensions and weights</b> ..... | 9  |
| <b>Self-assembly system</b> .....             | 14 |
| <b>Boom combinations</b> .....                | 16 |
| <b>Main boom 2018.xx</b> .....                | 18 |
| <b>Luffing jib 1309.xx</b> .....              | 20 |
| <b>Luffing jib 1713.xx</b> .....              | 25 |
| <b>Fixed jib 1008.xx</b> .....                | 30 |
| <b>Fixed jib 0806.xx</b> .....                | 33 |

## Remarks

- The load capacities stated are valid for lifting operation only (corresponding with crane classification according to ISO 4301-1, crane group A1).
- Machine is standing on firm, horizontal ground.
- The weight of the lifting device (pulley block, hoist ropes, shackles, etc.) must be deducted from the load capacity.
- Additional equipment on boom (e.g. walkways) must be deducted from the load capacity.
- The max. admissible wind speed can be preselected in the LML software and referred to in the load chart.
- Working radii are measured from centre of swing ring and under load.
- The lifting capacities are valid for 360 degrees of swing.
- Calculation of stability under load is based on ANSI/ASME B 30.5 load ratings as well as ISO 4305 Table 2 and tested according to SAE J765 and SAE J987.
- Weights may vary depending on the delivered configuration of the machine, filling level of the tanks, as well as generally valid tolerances.
- The illustrations in this brochure may include options which are not within the standard scope of supply of the machine.

# Concept and characteristics





**High performance**

A strong, efficient and reliable diesel engine of the newest generation provides high performance and enables several movements to be carried out simultaneously.

**Ground pressure**

The actual ground pressure is calculated according to the configuration and position of the machine and displayed in the operator's cabin. Using the optional Liebherr Crane Planner the actual ground pressure can already be calculated and displayed in the planning stage.

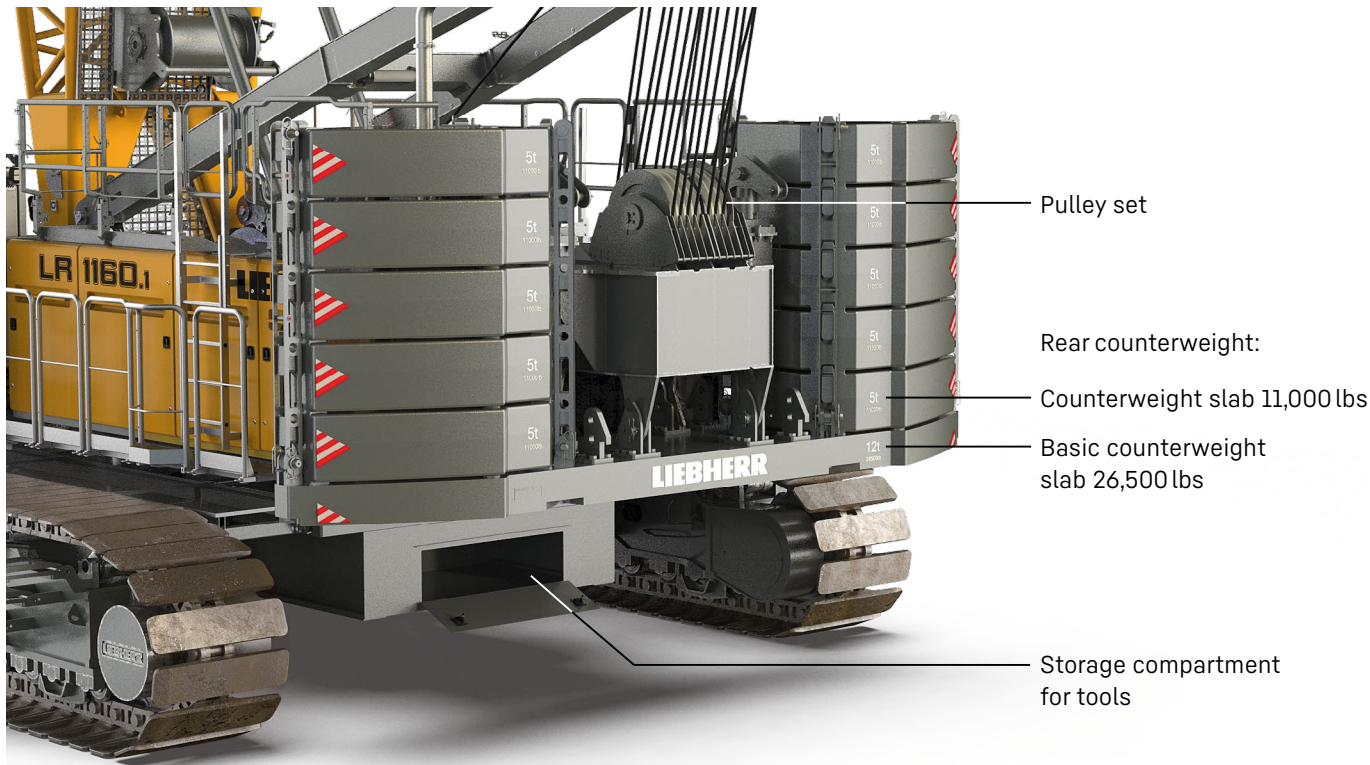
**Cabin with high comfort**

Optimised field of vision combined with enhanced comfort: an orthopaedic operator's seat with heating and cooling functions, as well as precise and ergonomic controls are included.

**Control system**

Easy and intuitive handling of control, service and machine functions through a large, clear colour monitor. Built for extreme environmental conditions.





Pulley set

Rear counterweight:

Counterweight slab 11,000 lbs

Basic counterweight slab 26,500 lbs

Storage compartment for tools

**Efficient self-assembly system and short assembly times**

The self-assembly system enables safe, independent and quick assembly/disassembly of the crawler side frames, the carbody and rear counterweights, as well as boom elements.

**Mobility**

Crane parts are optimized for transportation. The maximum transport width is 9.84 ft.

**Easy service**

The design ensures easy maintenance and service as well as safe access to the components.

**Boom/jib**

A variety of boom systems and configurations allow for optimum operation on the most diverse jobsites.

# Technical description



## Diesel engine

|   |   |
|---|---|
| <b>Power rating according to ISO 9249</b> | 230 kW (308 hp) at 1700 rpm   |
| <b>Engine type</b>                        | Liebherr D 944 A7-04  |
| <b>Fuel tank capacity</b>                 | 209 gal with continuous level indicator and reserve warning   |
| <b>Exhaust certification</b>              | 97/68 EC Stage IV; EPA/CARB Tier 4f<br>97/68 EC Stage V; EPA/CARB Tier 4f<br>ECE-R.96 Power Band H<br>non-certified emission standard |



## Noise measurement data and vibration

|  |   |
|--|---|
| <b>Noise emission</b>                                | according to 2000/14/EC directive   |
| Emission sound pressure level $L_{PA}$               | 69.9 dB(A) (in the cabin)   |
| Guaranteed sound power level $L_{WA}$                | 105 dB(A) (of the machine)  |
| <b>Vibration transmitted to the machine operator</b> | < 8.20 ft/s <sup>2</sup> (to the hand-arm system)<br>< 1.64 ft/s <sup>2</sup> (to the whole body) |



## Hydraulic system

|                                    |  |
|------------------------------------|--|
| <b>Hydraulic pumps</b>             | double axial displacement pump in open loop hydraulic system allows all functions to be operated simultaneously automatic working pressure cut-off to minimize peak pressure |
| <b>Hydraulic oil tank capacity</b> | 172 gal  |
| <b>Max. working pressure</b>       | 5,076 PSI  |
| <b>Hydraulic oil</b>               | electronic monitoring of alle filters<br>use of synthetic environmentally friendly oil   |



## Control

|                       |   |
|-----------------------|---|
| <b>Control system</b> | includes all control and monitoring functions, designed to withstand extreme environmental conditions and heavy construction tasks                                  |
| <b>Display</b>        | high resolution monitor in the operator's cabin, clear display of complete machine operating data, warnings and failure indications in the required language        |
| <b>Operation</b>      | several movements can be performed simultaneously thanks to electro-hydraulic proportional control, all categories of loads can be positioned with utmost precision |



## Crawlers

|                            |  |
|----------------------------|--|
| <b>Drive system</b>        | with fixed axial piston hydraulic motors                       |
| <b>Crawler side frames</b> | maintenance-free, with hydraulic chain tensioning device       |
| <b>Brake</b>               | hydraulically released, spring-loaded multi-disc holding brake |
| <b>Drive speed</b>         | 0-0.932 mph  |
| <b>Flat track pads</b>     | width 3.3 ft   |



## Swing gear

|                      |  |
|----------------------|--|
| <b>Drive system</b>  | with fixed axial piston hydraulic motors, planetary gearbox, pinion  |
| <b>Swing ring</b>    | roller bearing with external teeth   |
| <b>Brake</b>         | hydraulically released, spring-loaded multi-disc holding brake   |
| <b>Swing speed</b>   | 0-3 rpm continuously variable  |
| <b>Speed control</b> | both swing modes are possible - speed control or free swing<br>for speed control: a multi-disc holding brake locks automatically at zero swing motion. |



## Hoisting gear

|  |   |
|--|---|
| <b>Standard crane winches 1+2</b>      | Internal low-maintenance planetary gearbox in oil bath, load support by the hydraulic system, spring-loaded, multi-disc holding brake, pressure controlled, variable flow hydraulic motors for the main winches, full utilisation of engine power as the winch speed is automatically adjusted to suit the respective line pull |
| Line pull in the 7 <sup>th</sup> layer | 26,977 lbf  |
| Rope diameter                          | 26 mm   |
| Drum diameter                          | 1.9 ft  |
| Rope speed                             | 0-446 ft/min  |
| Rope capacity in 7 layers              | 1604 ft   |
| <b>Option - winch with free fall</b>   | Free fall: clutch and braking functions are provided by the service brake (low wear and maintenance-free multi-disc brake in compact design)  |



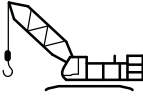



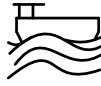
## Boom/jib luffing winches

|                  |                 |
|------------------|-----------------|
| <b>Main boom</b> |                 |
| Line pull        | max. 40,466 lbf |
| Rope diameter    | 24 mm           |
| Boom luffing     | 15-86° in 119 s |
| <b>Jib</b>       |                 |
| Line pull        | max. 23,605 lbf |
| Rope diameter    | 20 mm           |
| Jib luffing      | 15-78° in 46 s  |

## Operating weight

|  |  |
|--|--|
| <b>Composition of operating weight</b> | basic machine with crawlers<br>winches 1+2, A-frame<br>56 ft main boom, consisting of boom foot (23 ft), boom head (23 ft) and boom section (20 ft)<br>137,400 lbs rear counterweight<br>(10 × 11,000 lbs + 1 × 26,500 lbs + 660 lbs)<br>44,100 lbs carbody counterweight (2 × 22,000 lbs)<br>352,700 lbs pulley block |
| <b>Total weight</b>                    | approx. 368,172 lbs  |

## Operation modes

|  | <br>Lifting mode | <br>Grab mode | <br>Personnel lifting mode |
|--|---|---|---|
| <br>Land                                    | ✓   | ✓   | ✓   |
| <br>Floating structure<br>(barge operation) | ✓   | ✓   | ✓*  |

\* only valid for jack-up barges

## Optional equipment

### Basic machine

Main winches 26,455 lbs with free fall  
Painting in customer design  
Load hook 27,560 / 88,100 / 176,300 / 220,400 / 352,700 lbs

### Economy and ecology

Eco-Silent Package  
Aux. power unit (APU, 2.8 kW)

### Boom/jib

Luffing jib: luffing winch

### Boom/jib other

Walkway for main boom foot, incl. fall protection  
Walkway for main boom head, incl. fall protection  
Rope guide for main boom walkway, incl. fall protection  
Additional fall protection harness for 1 person  
Walkways for main boom sections 10 / 20 / 40 ft  
Walkways for main boom sections 10 / 20 / 40 ft, incl. fall protection

### Application packages

Operation mode: personnel lifting (O)  
Operation mode: barge operation (O)  
Operation mode: foundation work (O)  
Operation mode: wind speed pre-selection (S)  
Operation mode: travelling with load (S)  
Winch synchronization  
Radio remote control  
Rope reeving function via radio remote control  
Assembly radio remote control  
Use of luffing jib winch as auxiliary winch  
Tagline winch 4,409 lbf free fall  
Main winch constant tension for one winch  
Two hook operation

### Special features

Crane Planner 2.0  
LiDAT

### Self-assembly system

Jack-up system standard / telescopic  
Self-assembly system counterweight  
Self-assembly cylinder  
Reeving winch  
Track shifting hydraulic

### Service package

Refuelling pump diesel / AdBlue  
Cold package -25 °C / -40 °C  
Hydraulic oil bypass filter  
Central lubrication swing ring bearings / outside  
Liebherr hydraulic oil plus (longlife & bio)  
Liebherr hydraulic oil plus arctic (longlife & bio)  
Liebherr hydraulic oil plus arctic (longlife)

### Safety features

Assistance system: Boom Up-and-Down Assistant  
Assistance system: Horizontal Load Path  
Assistance system: Vertical Line Finder  
Assistance system: Ground Pressure Indication and Visualization  
Rear and side view cameras  
Winch camera  
Zoom camera at boom head  
Safety upgrade APAVE  
Platforms and railings on uppercarriage 1.9 ft  
Additional access ladder for boom assembly  
Railings on rooftop foldable  
Railings for cabin platform  
Vandalism cabin protection  
Cabin protection roof, FOPS level 1  
Lifting height indication for both hoist winches  
Plug&Play diesel-hydraulic back-up unit 18.4 kW  
Swing and boom radius limit device  
Aircraft warning light  
Swing warning light  
Lightning rod  
Mechanical angle display  
Air intake shut-off valve  
Access control

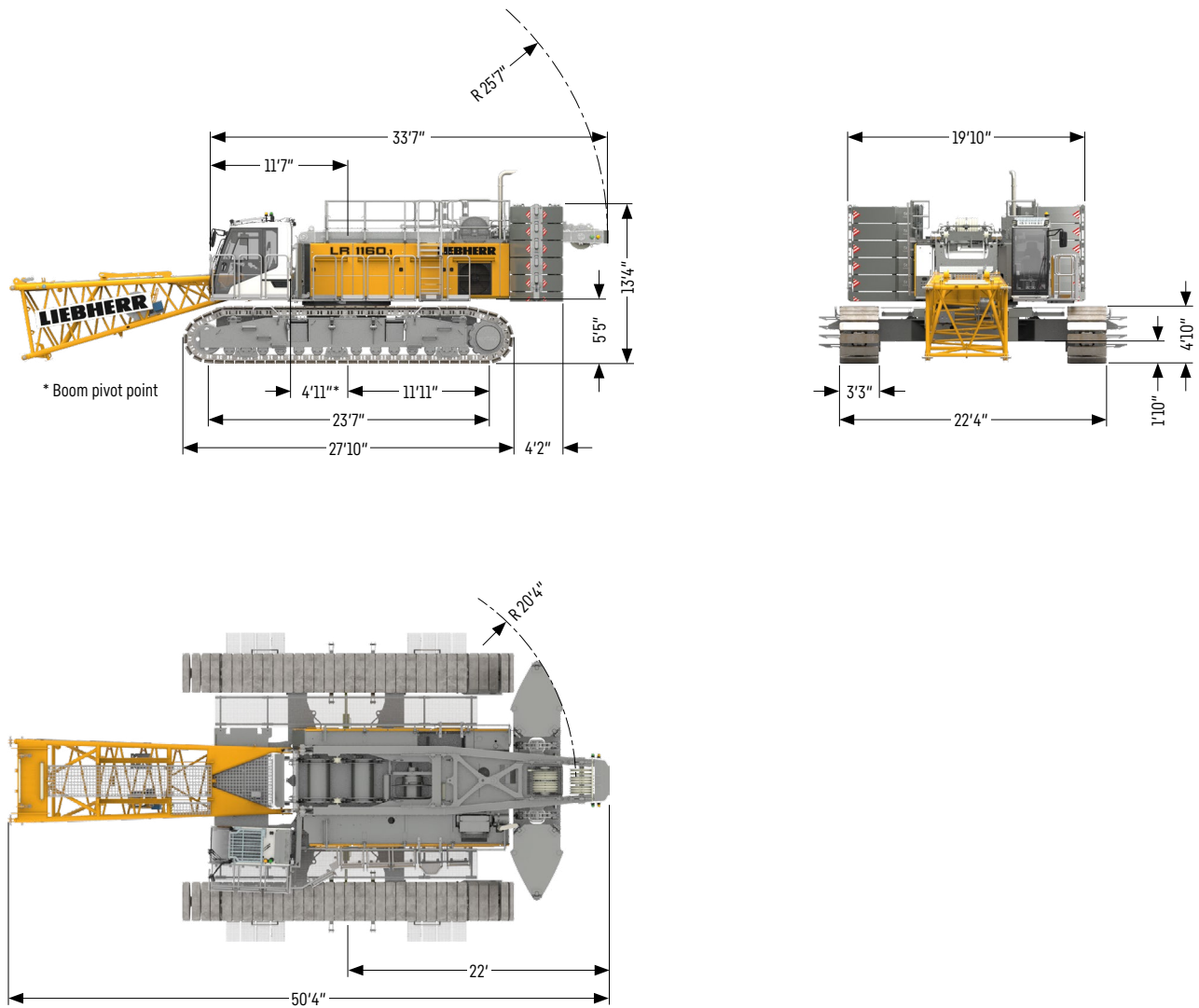
### Operator's comfort

Additional access ladder  
Additional floodlights  
Cabin air conditioner  
Cabin tilting device hydraulic  
Gear oil level warning  
Litronic additional language

(S) standard, (O) option

# Dimensions

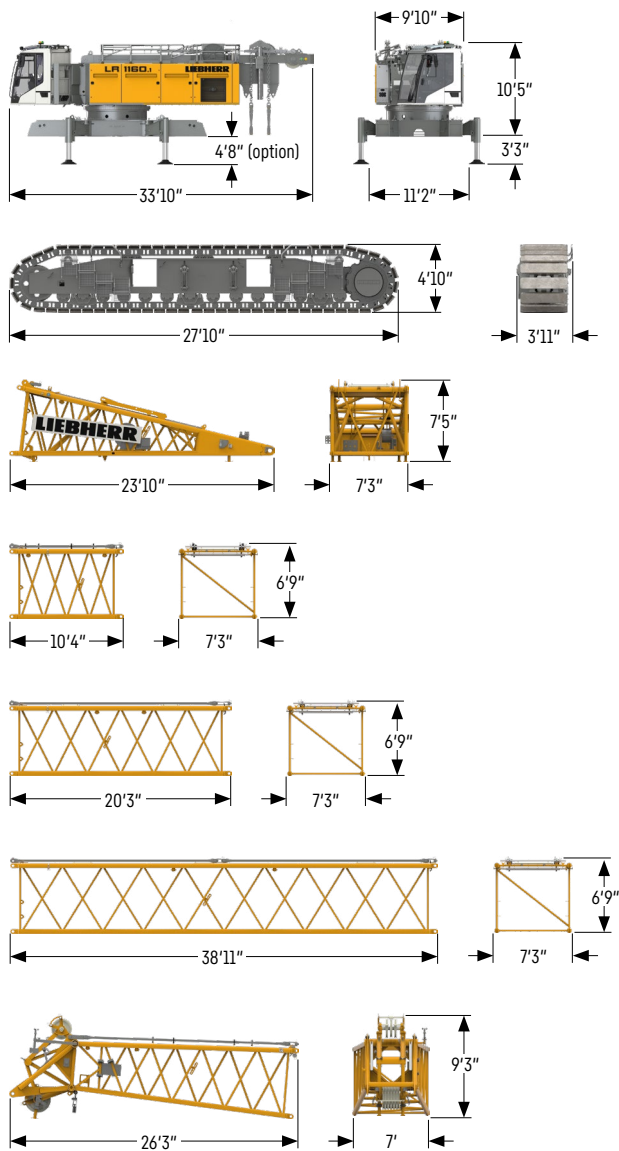
## Basic machine with undercarriage





# Transport dimensions and weights

## Basic machine and main boom 2018.xx



### Basic machine

|   |        |        |
|---|--------|--------|
| Weight without hoist rope   | lbs    | 77,162 |
| Weight of hoist ropes   | lbs/ft | 2.28   |
| with A-frame 1, winches 1 + 2 (2x 26,977 lbf), without boom foot, without rear counterweight, without carbody counterweight and crawler side frames |        |        |

### Crawler side frame

|                               |     |        |
|-------------------------------|-----|--------|
| Weight flat track pads 3.3 ft | lbs | 38,576 |
|-------------------------------|-----|--------|

### Boom foot 23 ft (No. 2018.23)

|                        |     |       |
|------------------------|-----|-------|
| Weight including winch | lbs | 8,966 |
| Weight without winch   | lbs | 5,919 |

### Boom section 10 ft (No. 2018.20)

|  |     |       |
|--|-----|-------|
| Weight including boom pendants         | lbs | 1,559 |
| Weight including boom and jib pendants | lbs | 1,700 |

### Boom section 20 ft (No. 2018.20)

|  |     |       |
|--|-----|-------|
| Weight including boom pendants         | lbs | 2,229 |
| Weight including boom and jib pendants | lbs | 2,471 |

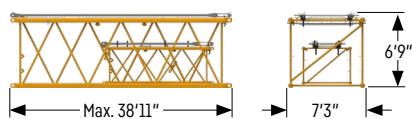
### Boom section 38 ft (No. 2018.20)

|  |     |       |
|--|-----|-------|
| Weight including boom pendants         | lbs | 3,728 |
| Weight including boom and jib pendants | lbs | 4,200 |

### Boom head 23 ft (No. 2018.20)

|                                |     |       |
|--------------------------------|-----|-------|
| Weight including boom pendants | lbs | 5,300 |
|--------------------------------|-----|-------|

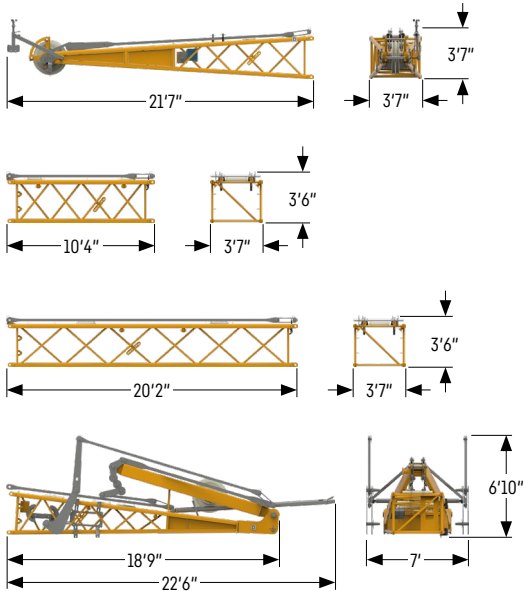
## Transport option 2018.xx / 1309.xx



### Transport option (No. 2018.xx/1309.xx)

|                           |     |         |         |
|---------------------------|-----|---------|---------|
| No. 2018.xx/1309.xx       | ft  | 20 / 20 | 38 / 38 |
| Weight including pendants | lbs | 3,571   | 6,305   |

## Fixed jib 1008.xx



### Jib head 18 ft (No. 1008.20)

|                           |           |
|---------------------------|-----------|
| Weight including pendants | lbs 1,925 |
|---------------------------|-----------|

### Jib section 10 ft (No. 1008.17)

|                           |         |
|---------------------------|---------|
| Weight including pendants | lbs 589 |
|---------------------------|---------|

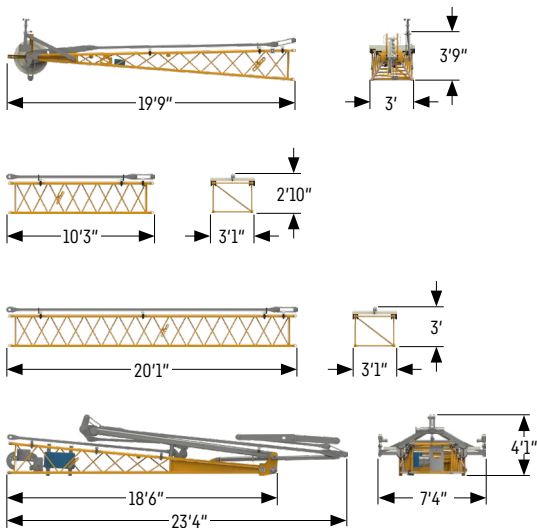
### Jib section 20 ft (No. 1008.17)

|                           |         |
|---------------------------|---------|
| Weight including pendants | lbs 988 |
|---------------------------|---------|

### Jib foot 18 ft with A-frame (No. 1008.20)

|                           |           |
|---------------------------|-----------|
| Weight including pendants | lbs 4,537 |
|---------------------------|-----------|

## Fixed jib 0806.xx



### Jib head 18 ft (No. 0806.16)

|                           |         |
|---------------------------|---------|
| Weight including pendants | lbs 974 |
|---------------------------|---------|

### Jib section 10 ft (No. 0806.15)

|                           |         |
|---------------------------|---------|
| Weight including pendants | lbs 311 |
|---------------------------|---------|

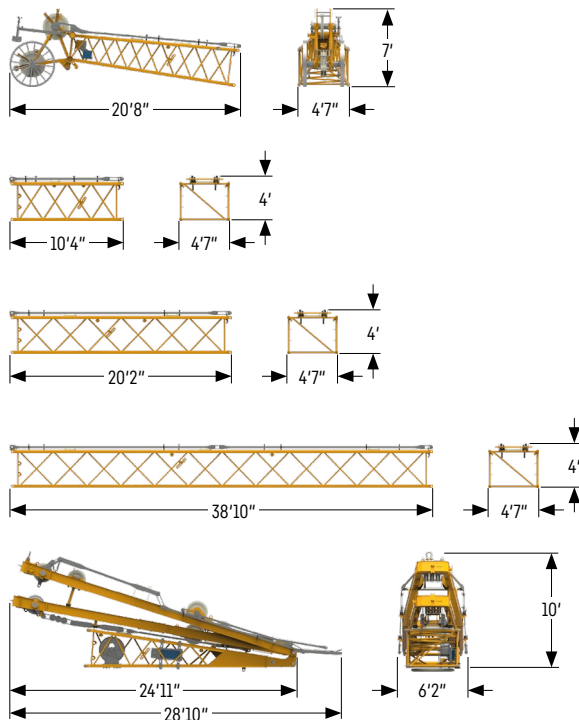
### Jib section 20 ft (No. 0806.15)

|                           |         |
|---------------------------|---------|
| Weight including pendants | lbs 549 |
|---------------------------|---------|

### Jib foot 18 ft with A-frame (No. 0806.16)

|                           |           |
|---------------------------|-----------|
| Weight including pendants | lbs 2,374 |
|---------------------------|-----------|

## Luffing jib 1309.xx



### Jib head 18 ft (No. 1309.22)

|                           |           |
|---------------------------|-----------|
| Weight including pendants | lbs 2,485 |
|---------------------------|-----------|

### Jib section 10 ft (No. 1309.20)

|                           |         |
|---------------------------|---------|
| Weight including pendants | lbs 677 |
|---------------------------|---------|

### Jib section 20 ft (No. 1309.20)

|                           |           |
|---------------------------|-----------|
| Weight including pendants | lbs 1,127 |
|---------------------------|-----------|

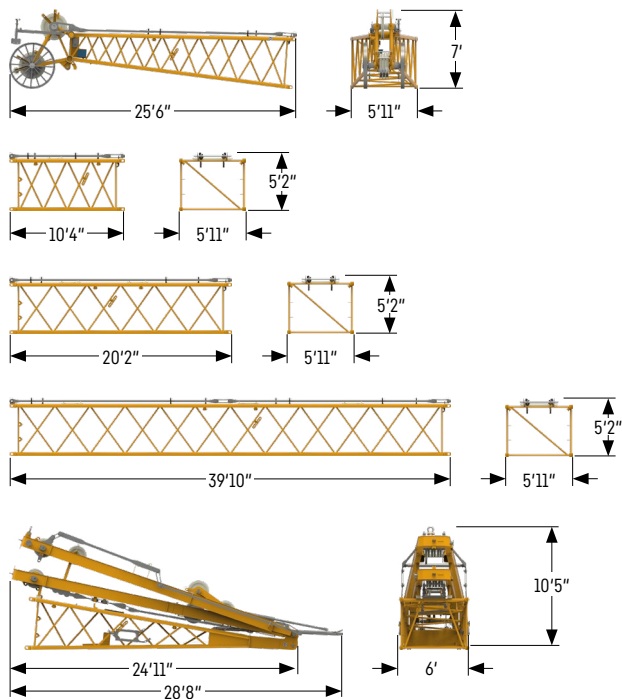
### Jib section 38 ft (No. 1309.20)

|                           |           |
|---------------------------|-----------|
| Weight including pendants | lbs 2,075 |
|---------------------------|-----------|

### Jib foot 18 ft with A-frames 2 + 3 (No. 1309.22)

|                           |           |
|---------------------------|-----------|
| Weight including pendants | lbs 9,905 |
|---------------------------|-----------|

## Luffing jib 1713.xx



### Jib head 23 ft (No. 1713.21)

|                           |           |
|---------------------------|-----------|
| Weight including pendants | lbs 3,034 |
|---------------------------|-----------|

### Jib section 10 ft (No. 1713.18)

|                           |         |
|---------------------------|---------|
| Weight including pendants | lbs 869 |
|---------------------------|---------|

### Jib section 20 ft (No. 1713.18)

|                           |           |
|---------------------------|-----------|
| Weight including pendants | lbs 1,376 |
|---------------------------|-----------|

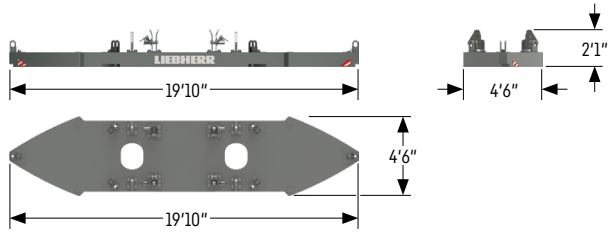
### Jib section 40 ft (No. 1713.18)

|                           |           |
|---------------------------|-----------|
| Weight including pendants | lbs 2,474 |
|---------------------------|-----------|

### Jib foot 23 ft with A-frames 2 + 3 (No. 1713.22)

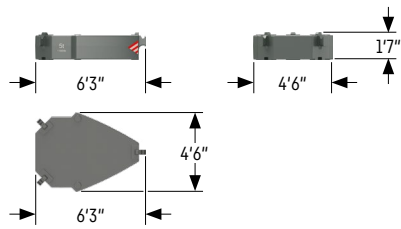
|                           |            |
|---------------------------|------------|
| Weight including pendants | lbs 10,465 |
|---------------------------|------------|

# Counterweight



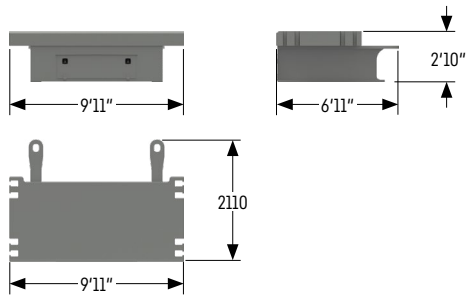
## Basic counterweight slab without tie-down (1x)

|        |            |
|--------|------------|
| Weight | lbs 26,500 |
|--------|------------|



## Counterweight slab (10x)

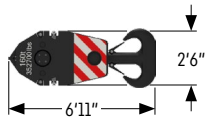
|        |            |
|--------|------------|
| Weight | lbs 11,000 |
|--------|------------|



## Carbody counterweight (2x)

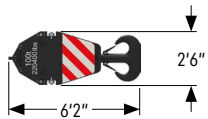
|        |            |
|--------|------------|
| Weight | lbs 22,000 |
|--------|------------|

## Pulley block with additional weights / load hooks



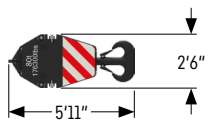
### 352,700 lbs pulley block - 7 pulleys

|        |                           |
|--------|---------------------------|
| Width  | 2'11"                     |
| Weight | lbs 3,307 / 4,960 / 6,614 |



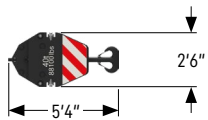
### 220,400 lbs pulley block - 5 pulleys

|        |                           |
|--------|---------------------------|
| Width  | 2'5"                      |
| Weight | lbs 2,866 / 3,968 / 5,071 |



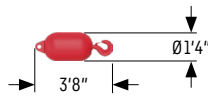
### 176,300 lbs pulley block - 3 pulleys

|        |                           |
|--------|---------------------------|
| Width  | 1'10"                     |
| Weight | lbs 2,205 / 3,307 / 4,409 |



### 88,100 lbs pulley block - 1 pulley

|        |                           |
|--------|---------------------------|
| Width  | 1'7"                      |
| Weight | lbs 1,543 / 2,425 / 3,307 |

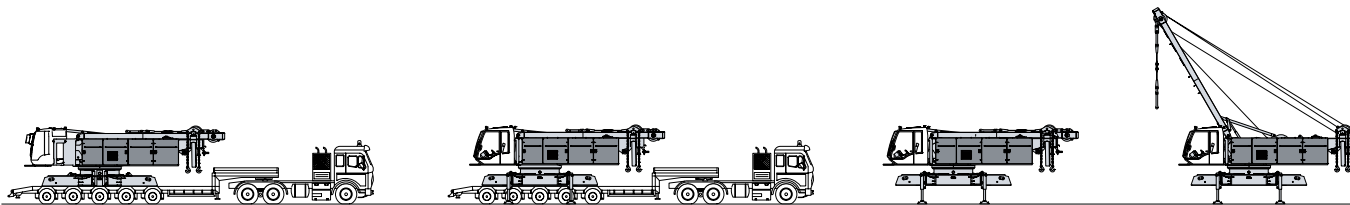


### 27,560 lbs load hook

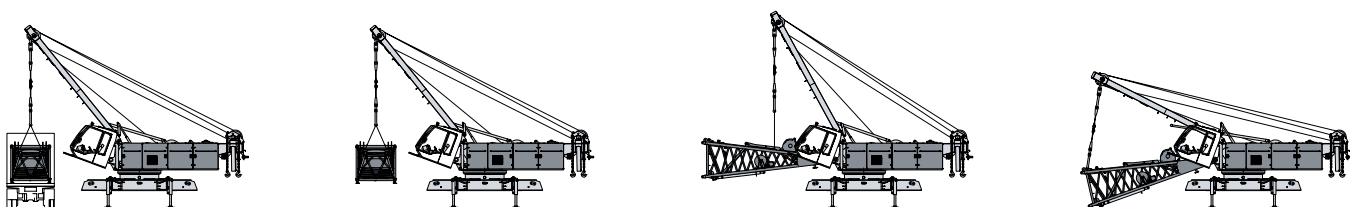
|        |           |
|--------|-----------|
| Weight | lbs 1,323 |
|--------|-----------|



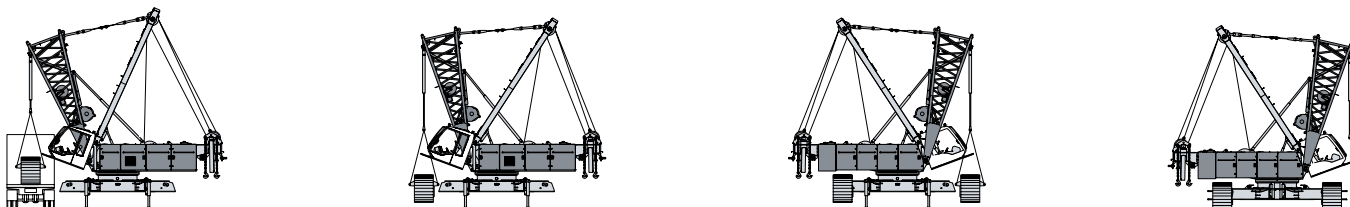
# Self-assembly system



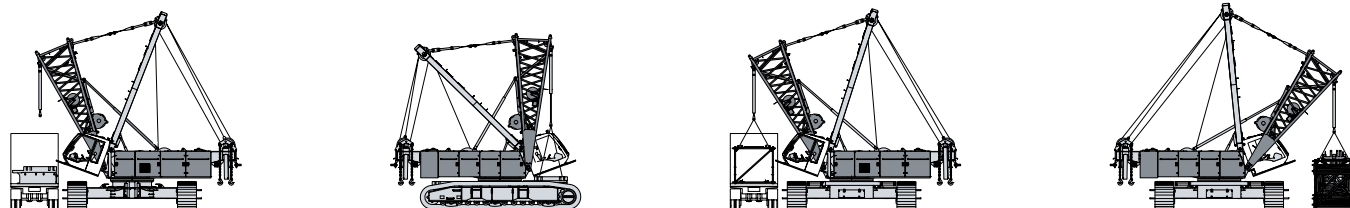
Unloading of basic machine



Unloading and assembly of boom foot

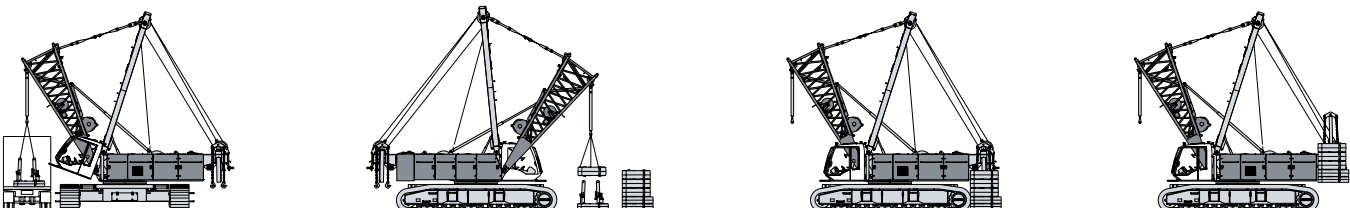


Unloading and assembly of crawler side frames

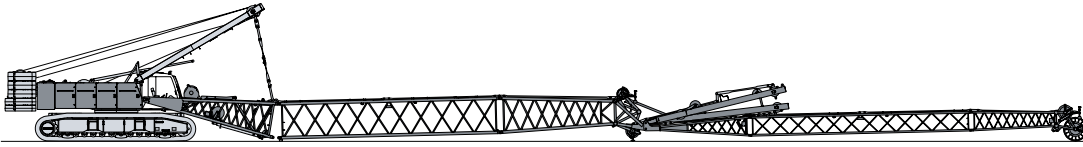


Unloading and assembly of carbody counterweight

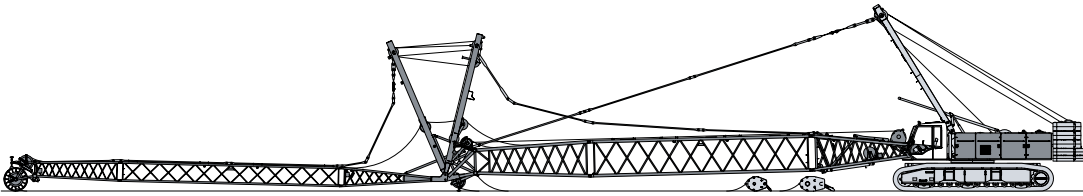
Unloading and assembly of boom



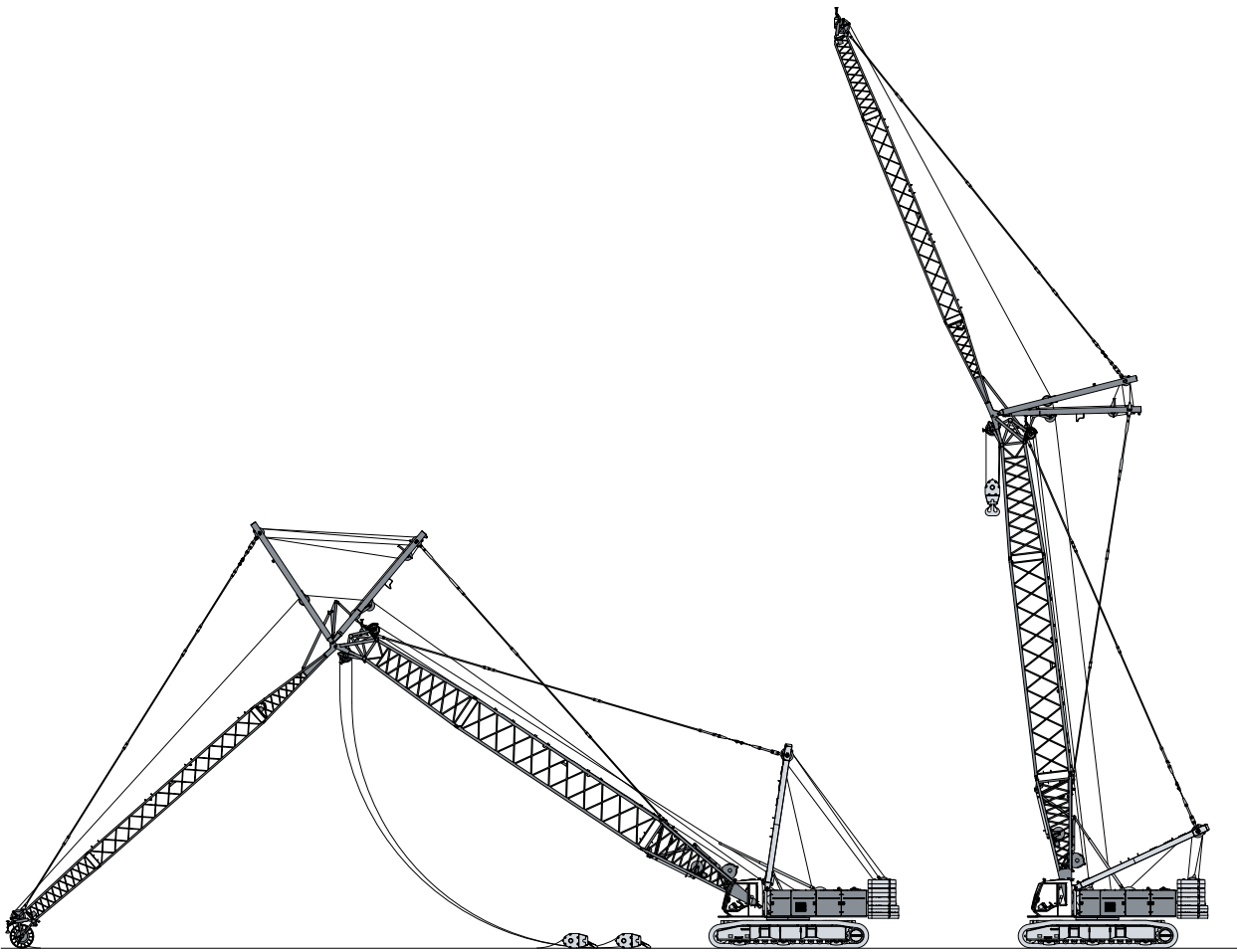
Unloading and assembly of rear counterweight



Assembly of boom

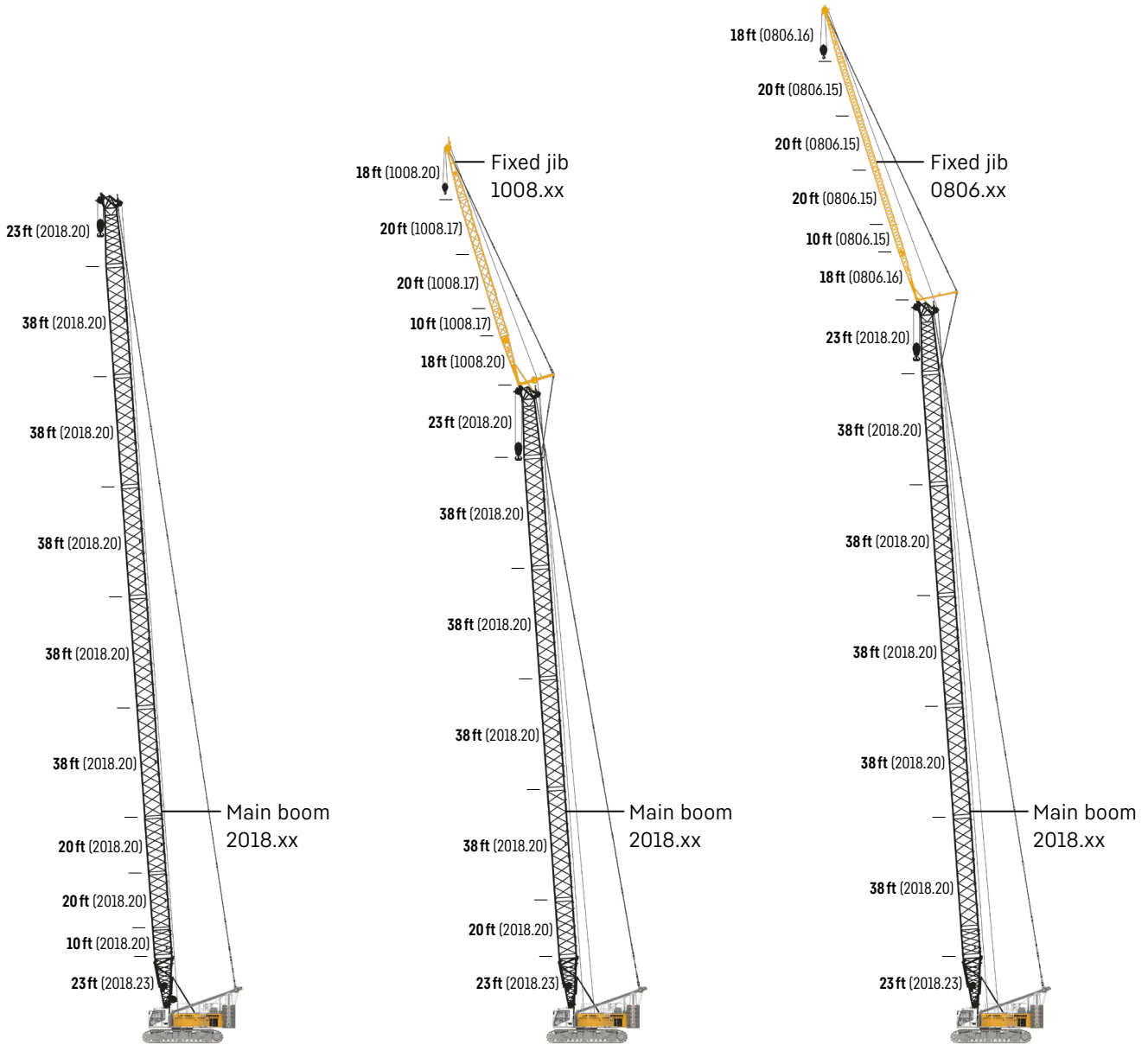


Reeving of hoist and luffing jib ropes



Erecting of main boom and luffing jib

# Boom combinations



## Main boom

Mode 1

### Max. length

2018.xx ft 287

Further information on page 18.

## Main boom + fixed jib

Mode 3

### Max. combination

2018.xx ft 219 229

1008.xx ft 85 66

Total length ft 304 295

Further information on page 30.

## Main boom + fixed jib

Mode 3

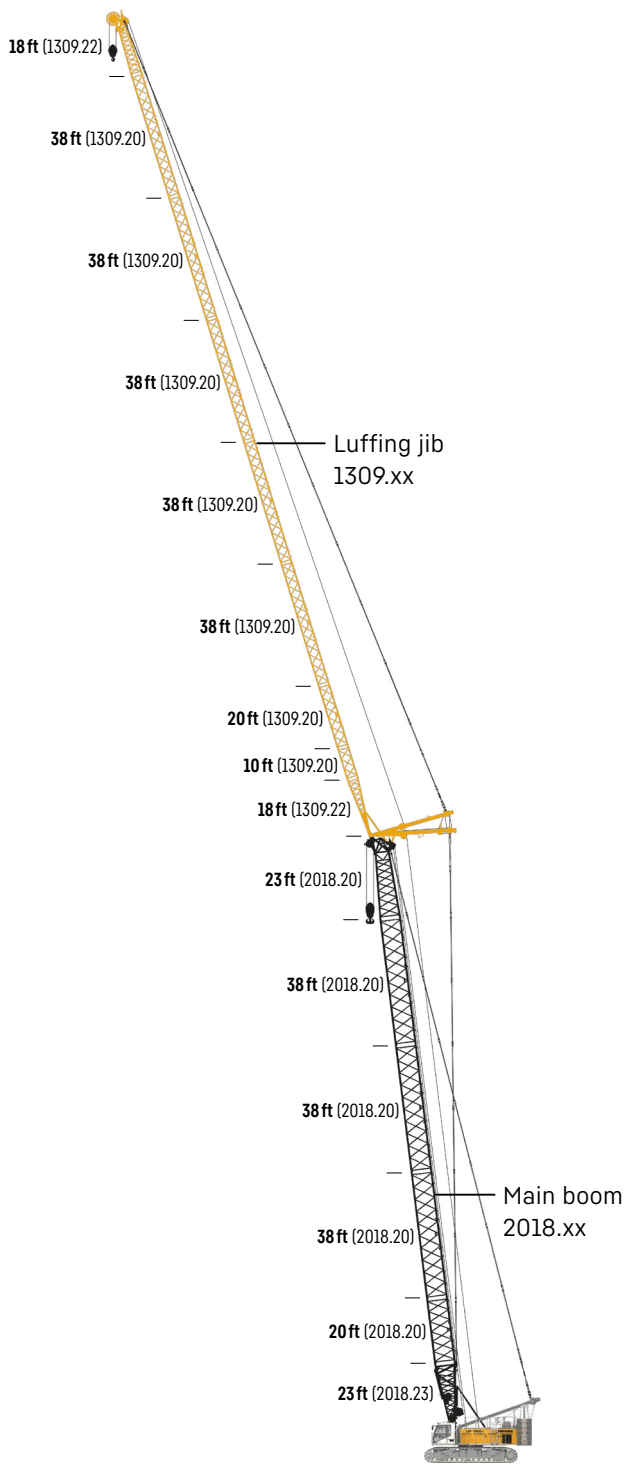
### Max. combination

2018.xx ft 248 258

0806.xx ft 105 85

Total length ft 353 343

Further information on page 33.



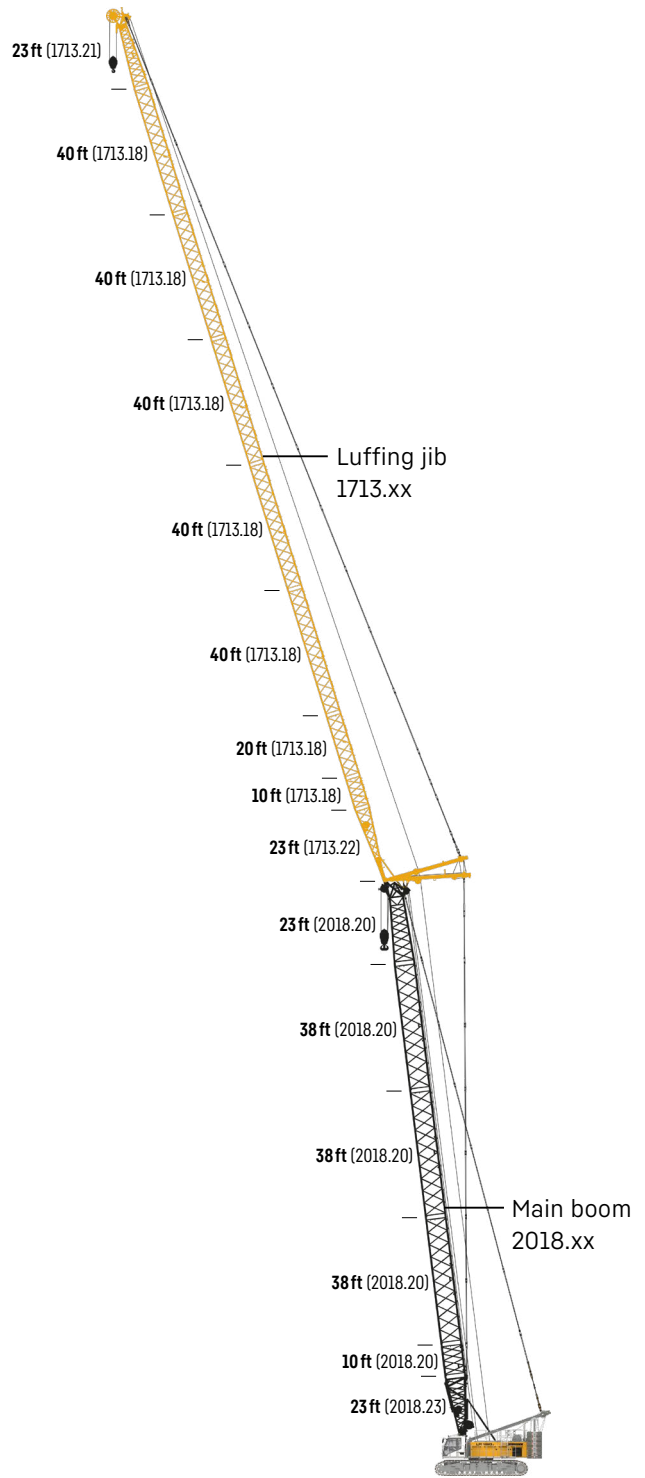
**Main boom + luffing jib**

Mode 4

**Max. combination**

|                     |           |            |            |
|---------------------|-----------|------------|------------|
| 2018.xx             | ft        | 181        | 191        |
| 1309.xx             | ft        | 258        | 219        |
| <b>Total length</b> | <b>ft</b> | <b>439</b> | <b>410</b> |

Further information on page 20.



**Main boom + luffing jib**

Mode 4

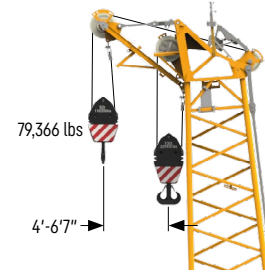
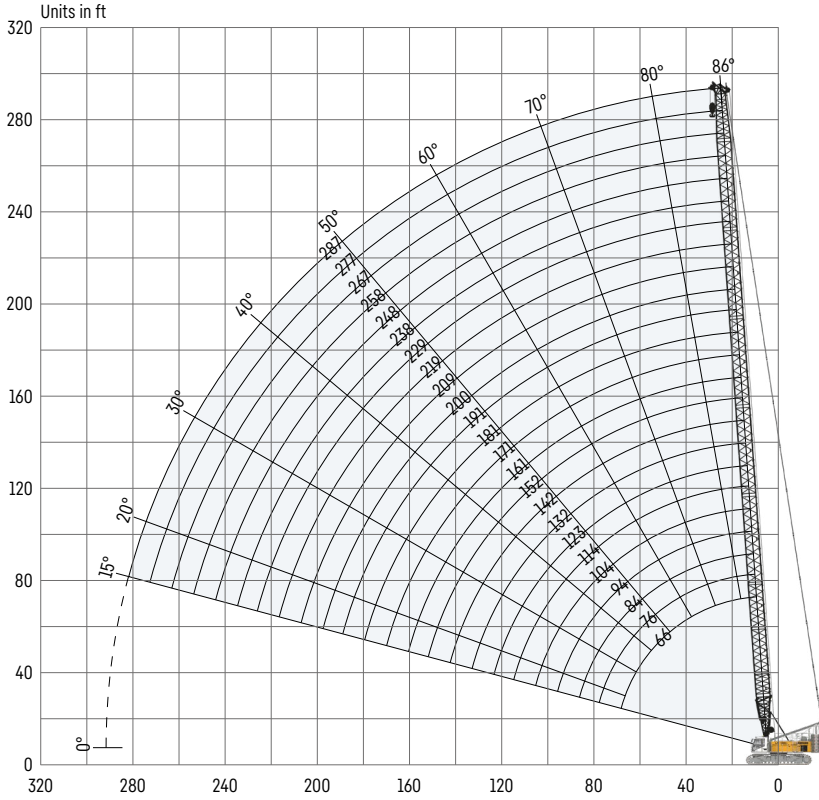
**Max. combination**

|                     |           |            |            |
|---------------------|-----------|------------|------------|
| 2018.xx             | ft        | 171        | 181        |
| 1713.xx             | ft        | 272        | 223        |
| <b>Total length</b> | <b>ft</b> | <b>443</b> | <b>404</b> |

Further information on page 25.

# Main boom 2018.xx

## Boom lengths 66-287 ft



### Auxiliary jib 79,366 lbs (option)

The maximum capacity of the auxiliary jib is 79,366 lbs. The corresponding load chart is programmed in the LML system.

### Main boom configuration 2018.xx

| Boom section            | Amount of boom sections |            |            |            |            |            |            |            |            |            |            |            |   |
|-------------------------|-------------------------|------------|------------|------------|------------|------------|------------|------------|------------|------------|------------|------------|---|
|                         | 1                       | 1          | 1          | 1          | 1          | 1          | 1          | 1          | 1          | 1          | 1          | 1          | 1 |
| Boom foot 23 ft         | 1                       | 1          | 1          | 1          | 1          | 1          | 1          | 1          | 1          | 1          | 1          | 1          | 1 |
| Boom section 10 ft      |                         | 1          |            | 1          |            | 1          |            | 1          |            | 1          |            | 1          | 1 |
| Boom section 20 ft      | 1                       | 1          |            |            | 1          | 1          |            | 1          |            | 1          |            | 1          |   |
| Boom section 38 ft      |                         |            | 1          | 1          | 1          | 1          | 2          | 2          | 2          | 2          | 3          | 3          |   |
| Boom head 23 ft         | 1                       | 1          | 1          | 1          | 1          | 1          | 1          | 1          | 1          | 1          | 1          | 1          | 1 |
| <b>Boom length [ft]</b> | <b>66</b>               | <b>76</b>  | <b>84</b>  | <b>94</b>  | <b>104</b> | <b>114</b> | <b>123</b> | <b>132</b> | <b>142</b> | <b>152</b> | <b>161</b> | <b>171</b> |   |
| Auxiliary jib           | ✓                       | ✓          | ✓          | ✓          | ✓          | ✓          | ✓          | ✓          | ✓          | ✓          | ✓          | ✓          | ✓ |
| Boom foot 23 ft         | 1                       | 1          | 1          | 1          | 1          | 1          | 1          | 1          | 1          | 1          | 1          | 1          | 1 |
| Boom section 10 ft      |                         | 1          |            | 1          |            | 1          |            | 1          |            | 1          |            | 1          | 1 |
| Boom section 20 ft      | 1                       | 1          |            |            | 1          | 1          |            | 1          |            | 1          |            | 1          | 2 |
| Boom section 38 ft      | 3                       | 3          | 4          | 4          | 4          | 4          | 5          | 5          | 5          | 5          | 5          | 5          | 5 |
| Boom head 23 ft         | 1                       | 1          | 1          | 1          | 1          | 1          | 1          | 1          | 1          | 1          | 1          | 1          | 1 |
| <b>Boom length [ft]</b> | <b>181</b>              | <b>191</b> | <b>200</b> | <b>209</b> | <b>219</b> | <b>229</b> | <b>238</b> | <b>248</b> | <b>258</b> | <b>267</b> | <b>277</b> | <b>287</b> |   |
| Auxiliary jib           | ✓                       | ✓          | ✓          | ✓          | ✓          | ✓          | ✓          | ✓          | ✓          | ✓          | ✓          | ✓          | ✓ |

Actual lengths of boom sections are metric (e.g. 3 m, 6 m). The figures shown above are approximate conversions to feet.



# Load capacities with main boom

Load capacities in 1000 lbs with 137,400 lbs rear counterweight and 44,100 lbs carbody counterweight

| Radius [ft] | Boom length [ft] |        |       |       |       |       |       |       |      |      |      |      |
|-------------|------------------|--------|-------|-------|-------|-------|-------|-------|------|------|------|------|
|             | 66               | 94     | 114   | 132   | 152   | 171   | 191   | 209   | 229  | 248  | 267  | 287  |
| 14.7        |                  | 352.7* |       |       |       |       |       |       |      |      |      |      |
| 20          | 301.5            | 292.1  | 278.7 | 244.6 | 205.0 |       |       |       |      |      |      |      |
| 30          | 201.4            | 201.7  | 201.6 | 193.8 | 176.8 | 160.1 | 133.5 | 106.5 | 89.6 | 76.3 | 63.2 | 53.1 |
| 50          | 97.4             | 97.5   | 97.2  | 97.0  | 96.6  | 96.2  | 95.8  | 92.2  | 80.1 | 70.8 | 57.8 | 48.8 |
| 55          | 85.8             | 85.8   | 85.5  | 85.3  | 84.8  | 84.5  | 84.0  | 83.6  | 76.5 | 70.0 | 56.7 | 47.6 |
| 65          | 68.6             | 68.8   | 68.5  | 68.3  | 67.8  | 67.4  | 66.9  | 66.4  | 65.9 | 63.1 | 53.5 | 45.5 |
| 70          | 26.6             | 62.4   | 62.1  | 61.9  | 61.4  | 61.0  | 60.5  | 60.0  | 59.5 | 59.0 | 51.7 | 44.1 |
| 80          |                  | 52.3   | 52.1  | 51.8  | 51.3  | 50.9  | 50.3  | 49.9  | 49.3 | 48.8 | 48.2 | 41.6 |
| 85          |                  | 48.3   | 48.0  | 47.7  | 47.3  | 46.8  | 46.3  | 45.8  | 45.2 | 44.7 | 44.1 | 40.6 |
| 95          |                  | 41.5   | 41.3  | 41.1  | 40.6  | 40.2  | 39.6  | 39.1  | 38.5 | 38.0 | 37.4 | 36.8 |
| 100         |                  |        | 38.5  | 38.3  | 37.8  | 37.4  | 36.8  | 36.3  | 35.7 | 35.2 | 34.6 | 34.0 |
| 110         |                  |        | 33.7  | 33.5  | 33.1  | 32.6  | 32.1  | 31.6  | 31.0 | 30.4 | 29.8 | 29.2 |
| 115         |                  |        | 31.6  | 31.5  | 31.0  | 30.6  | 30.0  | 29.5  | 28.9 | 28.4 | 27.8 | 27.1 |
| 125         |                  |        |       | 27.9  | 27.5  | 27.0  | 26.6  | 26.1  | 25.5 | 25.0 | 24.3 | 23.7 |
| 130         |                  |        |       | 26.4  | 26.0  | 25.6  | 25.0  | 24.5  | 23.9 | 23.4 | 22.8 | 22.1 |
| 140         |                  |        |       |       | 23.2  | 22.8  | 22.3  | 21.8  | 21.2 | 20.6 | 20.0 | 19.4 |
| 145         |                  |        |       |       | 21.9  | 21.6  | 21.0  | 20.5  | 19.9 | 19.4 | 18.8 | 18.1 |
| 155         |                  |        |       |       |       | 19.3  | 18.8  | 18.3  | 17.7 | 17.2 | 16.6 | 15.9 |
| 160         |                  |        |       |       |       | 18.3  | 17.8  | 17.3  | 16.7 | 16.2 | 15.6 | 14.9 |
| 170         |                  |        |       |       |       | 16.5  | 16.0  | 15.5  | 14.9 | 14.4 | 13.7 | 13.1 |
| 175         |                  |        |       |       |       |       | 15.1  | 14.7  | 14.1 | 13.6 | 12.9 | 12.3 |
| 185         |                  |        |       |       |       |       | 13.6  | 13.2  | 12.6 | 12.0 | 11.4 | 10.7 |
| 190         |                  |        |       |       |       |       | 12.9  | 12.5  | 11.9 | 11.3 | 10.7 | 10.1 |
| 200         |                  |        |       |       |       |       |       | 11.1  | 10.6 | 10.1 | 9.4  | 8.8  |
| 205         |                  |        |       |       |       |       |       | 10.5  | 10.0 | 9.5  | 8.8  | 8.2  |
| 215         |                  |        |       |       |       |       |       |       | 8.9  | 8.4  | 7.7  | 7.1  |
| 220         |                  |        |       |       |       |       |       |       | 8.3  | 7.8  | 7.2  | 6.6  |
| 230         |                  |        |       |       |       |       |       |       |      | 6.9  | 6.3  | 5.6  |
| 235         |                  |        |       |       |       |       |       |       |      | 6.4  | 5.8  | 5.2  |
| 245         |                  |        |       |       |       |       |       |       |      | 5.5  | 5.0  | 4.3  |
| 250         |                  |        |       |       |       |       |       |       |      |      | 4.6  | 3.9  |
| 260         |                  |        |       |       |       |       |       |       |      |      | 3.8  | 3.2  |
| 265         |                  |        |       |       |       |       |       |       |      |      | 3.4  | 2.8  |
| 275         |                  |        |       |       |       |       |       |       |      |      |      | 2.1  |

\* Load capacities over 302,000 lbs require a special heavy duty boom head.

TLT 11962422. Above load charts are for reference only. For actual lift duty please refer to load chart in operator's cabin or manual. Otherwise we recommend you to plan your lifting job using Crane Planner 2.0.

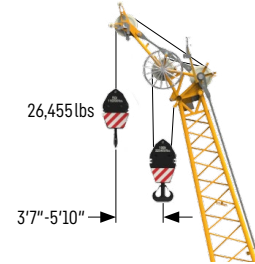
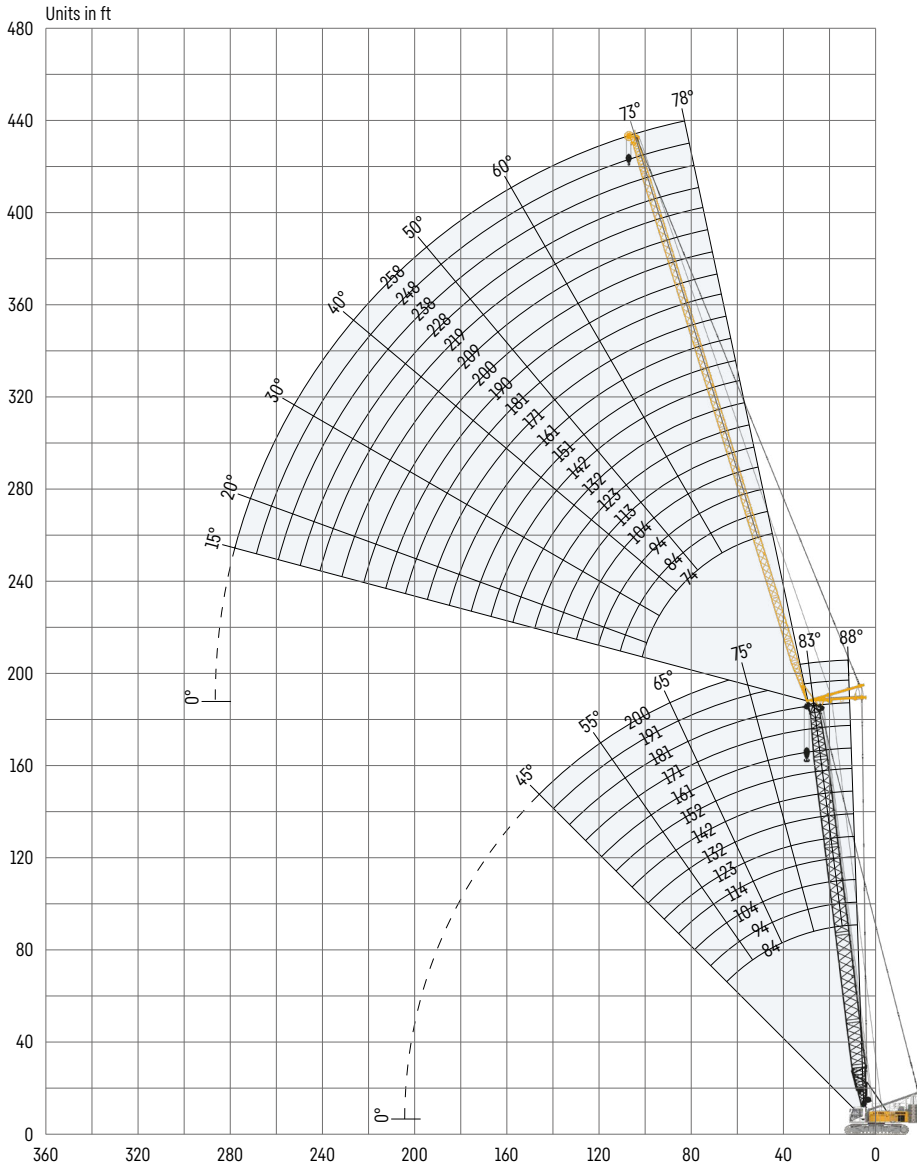


[www.liebherr.com/CranePlanner](http://www.liebherr.com/CranePlanner)

**Crane Planner 2.0**

# Luffing jib 1309.xx

## Jib lengths 74-258 ft



**Auxiliary jib 26,455 lbs (option)**  
 The maximum capacity of the auxiliary jib is 26,455 lbs.

### Jib configuration 1309.xx

| Jib section            | Amount of jib sections |           |           |            |            |            |            |            |            |            |            |            |            |            |            |            |            |            |            |            |
|------------------------|------------------------|-----------|-----------|------------|------------|------------|------------|------------|------------|------------|------------|------------|------------|------------|------------|------------|------------|------------|------------|------------|
| Jib foot 18 ft         | 1                      | 1         | 1         | 1          | 1          | 1          | 1          | 1          | 1          | 1          | 1          | 1          | 1          | 1          | 1          | 1          | 1          | 1          | 1          | 1          |
| Jib section 10 ft      |                        | 1         |           | 1          |            | 1          |            | 1          |            | 1          |            | 1          |            | 1          |            | 1          |            | 1          |            | 1          |
| Jib section 20 ft      |                        |           | 1         | 1          |            |            | 1          | 1          |            |            | 1          | 1          |            |            | 1          | 1          |            |            | 1          | 1          |
| Jib section 38 ft      | 1                      | 1         | 1         | 1          | 2          | 2          | 2          | 2          | 3          | 3          | 3          | 3          | 4          | 4          | 4          | 4          | 5          | 5          | 5          | 5          |
| Jib head 18 ft         | 1                      | 1         | 1         | 1          | 1          | 1          | 1          | 1          | 1          | 1          | 1          | 1          | 1          | 1          | 1          | 1          | 1          | 1          | 1          | 1          |
| <b>Jib length [ft]</b> | <b>74</b>              | <b>84</b> | <b>94</b> | <b>104</b> | <b>113</b> | <b>123</b> | <b>132</b> | <b>142</b> | <b>151</b> | <b>161</b> | <b>171</b> | <b>181</b> | <b>190</b> | <b>200</b> | <b>209</b> | <b>219</b> | <b>228</b> | <b>238</b> | <b>248</b> | <b>258</b> |
| Auxiliary jib          | ✓                      | ✓         | ✓         | ✓          | ✓          | ✓          | ✓          | ✓          | ✓          | ✓          | ✓          | ✓          | ✓          | ✓          | ✓          | ✓          | ✓          | ✓          | ✓          | ✓          |

Actual lengths of boom sections are metric (e.g. 3 m, 6 m). The figures shown above are approximate conversions to feet.  
 For main boom configuration please refer to the table on page 18.

# Load capacities with luffing jib

Load capacities in 1000 lbs with 84 ft main boom 88°

| Radius [ft] | Jib length [ft] |      |      |      |      |      |
|-------------|-----------------|------|------|------|------|------|
|             | 74              | 132  | 181  | 209  | 238  | 258  |
| 28.1        | 104.8           |      |      |      |      |      |
| 50          | 84.2            | 54.7 |      |      |      |      |
| 55          | 73.9            | 53.5 | 29.3 |      |      |      |
| 60          | 66.4            | 52.6 | 28.5 | 20.6 |      |      |
| 65          | 60.2            | 49.7 | 27.7 | 20.0 | 14.2 |      |
| 70          | 55.0            | 47.4 | 27.0 | 19.6 | 13.8 | 10.5 |
| 80          | 46.1            | 42.7 | 25.9 | 18.6 | 13.0 | 9.7  |
| 140         |                 | 21.9 | 19.3 | 14.9 | 10.1 | 6.9  |
| 185         |                 |      | 13.7 | 13.1 | 8.8  | 5.7  |
| 210         |                 |      |      | 10.4 | 8.2  | 5.3  |
| 240         |                 |      |      |      | 6.5  | 4.9  |
| 260         |                 |      |      |      |      | 4.6  |

137,400 lbs rear counterweight and 44,100 lbs carbody counterweight

Load capacities in 1000 lbs with 132 ft main boom 88°

| Radius [ft] | Jib length [ft] |      |      |      |      |     |
|-------------|-----------------|------|------|------|------|-----|
|             | 74              | 132  | 181  | 209  | 238  | 258 |
| 29.8        | 94.0            |      |      |      |      |     |
| 50          | 78.2            | 45.9 |      |      |      |     |
| 55          | 71.8            | 45.1 | 26.8 |      |      |     |
| 60          | 66.8            | 44.5 | 26.2 | 18.8 |      |     |
| 65          | 61.9            | 43.3 | 25.7 | 18.4 | 12.6 |     |
| 70          | 56.9            | 41.9 | 25.1 | 18.1 | 12.5 | 9.6 |
| 85          | 26.6            | 37.4 | 23.6 | 17.0 | 11.6 | 9.0 |
| 140         |                 | 22.6 | 18.9 | 14.1 | 9.6  | 6.6 |
| 185         |                 |      | 14.1 | 12.9 | 8.4  | 5.5 |
| 215         |                 |      |      | 10.2 | 7.7  | 5.0 |
| 240         |                 |      |      |      | 6.6  | 4.8 |
| 260         |                 |      |      |      |      | 4.6 |

137,400 lbs rear counterweight and 44,100 lbs carbody counterweight

Load capacities in 1000 lbs with 181 ft main boom 88°

| Radius [ft] | Jib length [ft] |      |      |      |     |     |
|-------------|-----------------|------|------|------|-----|-----|
|             | 74              | 132  | 181  | 209  | 238 | 258 |
| 31.5        | 64.1            |      |      |      |     |     |
| 50          | 56.4            | 35.3 |      |      |     |     |
| 55          | 53.5            | 34.7 | 22.3 |      |     |     |
| 60          | 50.8            | 33.8 | 22.1 | 16.3 |     |     |
| 70          | 46.4            | 32.2 | 21.5 | 15.9 | 9.7 | 7.9 |
| 85          | 42.0            | 30.1 | 20.4 | 15.1 | 9.1 | 7.3 |
| 110         |                 | 26.7 | 18.8 | 13.9 | 8.2 | 6.1 |
| 140         |                 | 20.5 | 16.5 | 12.7 | 7.4 | 5.7 |
| 190         |                 |      | 12.2 | 11.5 | 4.8 | 4.7 |
| 215         |                 |      |      | 9.4  | 3.2 | 4.4 |
| 245         |                 |      |      |      | 3.0 | 4.1 |
| 260         |                 |      |      |      |     | 4.0 |

137,400 lbs rear counterweight and 44,100 lbs carbody counterweight

Load capacities in 1000 lbs with 191 ft main boom 88°

| Radius [ft] | Jib length [ft] |      |      |      |      |      |
|-------------|-----------------|------|------|------|------|------|
|             | 74              | 113  | 132  | 171  | 200  | 219  |
| 31.9        | 58.9            |      |      |      |      |      |
| 40          | 56.4            | 40.9 |      |      |      |      |
| 50          | 52.4            | 39.4 | 33.3 |      |      |      |
| 55          | 50.0            | 38.4 | 32.7 | 23.4 |      |      |
| 60          | 47.5            | 37.4 | 31.9 | 23.0 | 14.8 |      |
| 65          | 45.6            | 36.3 | 31.3 | 22.7 | 14.5 | 11.8 |
| 85          | 39.5            | 32.6 | 28.4 | 21.1 | 13.4 | 10.8 |
| 125         |                 | 26.6 | 23.7 | 18.2 | 11.5 | 9.4  |
| 140         |                 |      | 21.8 | 17.2 | 11.0 | 8.9  |
| 180         |                 |      |      | 14.9 | 9.7  | 8.0  |
| 205         |                 |      |      |      | 9.1  | 7.5  |
| 225         |                 |      |      |      |      | 7.2  |

137,400 lbs rear counterweight and 44,100 lbs carbody counterweight

Load capacities in 1000 lbs with 200 ft main boom 88°

| Radius [ft] | Jib length [ft] |      |      |      |      |      |
|-------------|-----------------|------|------|------|------|------|
|             | 74              | 94   | 113  | 132  | 151  | 161  |
| 32.2        | 54.1            |      |      |      |      |      |
| 40          | 52.7            | 44.6 |      |      |      |      |
| 50          | 49.1            | 42.0 | 36.5 | 27.3 | 23.7 |      |
| 55          | 47.1            | 40.9 | 35.7 | 26.6 | 22.9 | 21.0 |
| 70          | 41.1            | 37.2 | 33.1 | 24.7 | 21.2 | 19.3 |
| 85          | 37.5            | 33.4 | 30.4 | 23.0 | 19.8 | 18.1 |
| 95          |                 | 30.7 | 28.8 | 21.9 | 19.0 | 17.5 |
| 105         |                 | 26.3 | 27.2 | 21.0 | 18.2 | 16.7 |
| 125         |                 |      | 20.8 | 19.0 | 16.7 | 15.4 |
| 140         |                 |      |      | 17.9 | 15.6 | 14.4 |
| 160         |                 |      |      |      | 14.5 | 13.4 |
| 170         |                 |      |      |      |      | 13.0 |

137,400 lbs rear counterweight and 44,100 lbs carbody counterweight

TLT 11962422. Above load charts are for reference only. For actual lift duty please refer to load chart in operator's cabin or manual. Otherwise we recommend you to plan your lifting job using Crane Planner 2.0.



www.liebherr.com/CranePlanner

**Crane Planner 2.0**

# Load capacities with luffing jib

Load capacities in 1000 lbs with 84 ft main boom 83°

| Radius [ft] | Jib length [ft] |      |      |      |      |     |
|-------------|-----------------|------|------|------|------|-----|
|             | 74              | 132  | 181  | 209  | 238  | 258 |
| 41.9        | 104.9           |      |      |      |      |     |
| 60          | 78.9            | 54.1 |      |      |      |     |
| 75          | 57.7            | 49.2 | 27.3 |      |      |     |
| 85          | 48.9            | 44.6 | 26.1 | 18.8 |      |     |
| 90          | 44.6            | 41.4 | 25.5 | 18.4 | 12.7 |     |
| 100         |                 | 36.3 | 24.3 | 17.7 | 12.3 | 9.0 |
| 120         |                 | 28.9 | 22.4 | 16.4 | 11.2 | 8.0 |
| 145         |                 | 22.9 | 19.8 | 15.0 | 10.2 | 7.0 |
| 190         |                 |      | 14.2 | 13.4 | 8.9  | 5.7 |
| 220         |                 |      |      | 10.1 | 8.1  | 5.2 |
| 245         |                 |      |      |      | 6.8  | 4.9 |
| 265         |                 |      |      |      |      | 4.8 |

137,400 lbs rear counterweight and 44,100 lbs carbody counterweight

Load capacities in 1000 lbs with 132 ft main boom 83°

| Radius [ft] | Jib length [ft] |      |      |      |      |     |
|-------------|-----------------|------|------|------|------|-----|
|             | 74              | 132  | 181  | 209  | 238  | 258 |
| 47.8        | 90.1            |      |      |      |      |     |
| 65          | 71.4            | 45.9 |      |      |      |     |
| 80          | 55.4            | 43.2 | 24.9 |      |      |     |
| 90          | 48.0            | 40.5 | 24.2 | 17.3 |      |     |
| 100         |                 | 36.8 | 23.3 | 16.7 | 11.5 |     |
| 105         |                 | 35.4 | 22.8 | 16.4 | 11.3 | 8.5 |
| 125         |                 | 29.3 | 21.2 | 15.3 | 10.5 | 7.6 |
| 150         |                 | 23.4 | 19.3 | 14.2 | 9.6  | 6.7 |
| 200         |                 |      | 13.9 | 12.7 | 8.4  | 5.4 |
| 225         |                 |      |      | 10.4 | 7.9  | 5.0 |
| 255         |                 |      |      |      | 6.6  | 4.8 |
| 270         |                 |      |      |      |      | 4.7 |

137,400 lbs rear counterweight and 44,100 lbs carbody counterweight

Load capacities in 1000 lbs with 181 ft main boom 83°

| Radius [ft] | Jib length [ft] |      |      |      |     |     |
|-------------|-----------------|------|------|------|-----|-----|
|             | 74              | 132  | 181  | 209  | 238 | 258 |
| 53.7        | 59.9            |      |      |      |     |     |
| 75          | 50.3            | 34.7 |      |      |     |     |
| 85          | 46.6            | 33.5 | 21.2 |      |     |     |
| 95          | 43.7            | 32.1 | 20.8 | 15.2 |     |     |
| 105         |                 | 30.3 | 20.2 | 14.8 | 9.2 |     |
| 110         |                 | 29.6 | 19.9 | 14.6 | 9.0 | 6.9 |
| 130         |                 | 26.8 | 18.8 | 13.7 | 8.3 | 6.5 |
| 155         |                 | 22.0 | 17.1 | 12.8 | 7.7 | 5.9 |
| 205         |                 |      | 13.1 | 11.7 | 6.3 | 4.8 |
| 230         |                 |      |      | 10.1 | 5.6 | 4.3 |
| 260         |                 |      |      |      | 5.1 | 4.0 |
| 280         |                 |      |      |      |     | 4.0 |

137,400 lbs rear counterweight and 44,100 lbs carbody counterweight

Load capacities in 1000 lbs with 191 ft main boom 83°

| Radius [ft] | Jib length [ft] |      |      |      |      |      |
|-------------|-----------------|------|------|------|------|------|
|             | 74              | 132  | 171  | 190  | 200  | 219  |
| 54.9        | 54.7            |      |      |      |      |      |
| 75          | 46.3            | 32.5 |      |      |      |      |
| 85          | 43.1            | 31.1 | 22.1 |      |      |      |
| 90          | 41.8            | 30.2 | 21.9 | 18.2 |      |      |
| 95          | 40.6            | 29.5 | 21.6 | 18.1 | 14.3 |      |
| 100         | 39.3            | 28.7 | 21.2 | 17.9 | 14.0 | 11.3 |
| 125         |                 | 25.6 | 19.6 | 16.9 | 12.7 | 10.3 |
| 160         |                 | 21.8 | 17.5 | 15.1 | 11.6 | 9.3  |
| 195         |                 |      | 15.2 | 13.3 | 10.7 | 8.6  |
| 215         |                 |      |      | 12.0 | 10.3 | 8.2  |
| 225         |                 |      |      |      | 10.2 | 8.1  |
| 240         |                 |      |      |      |      | 8.0  |

137,400 lbs rear counterweight and 44,100 lbs carbody counterweight

Load capacities in 1000 lbs with 200 ft main boom 83°

| Radius [ft] | Jib length [ft] |      |      |      |      |      |
|-------------|-----------------|------|------|------|------|------|
|             | 74              | 94   | 113  | 132  | 151  | 161  |
| 55.9        | 50.3            |      |      |      |      |      |
| 65          | 47.1            | 42.1 |      |      |      |      |
| 70          | 45.3            | 40.8 | 36.2 |      |      |      |
| 75          | 43.1            | 39.1 | 35.1 | 27.1 |      |      |
| 80          | 41.5            | 37.8 | 34.0 | 26.6 | 22.6 |      |
| 85          | 40.0            | 36.3 | 32.9 | 26.0 | 22.2 | 20.3 |
| 105         | 26.6            | 32.1 | 29.2 | 23.7 | 20.6 | 18.7 |
| 120         |                 | 28.6 | 27.0 | 22.2 | 19.4 | 17.8 |
| 140         |                 |      | 23.9 | 20.2 | 18.0 | 16.6 |
| 160         |                 |      |      | 18.6 | 16.7 | 15.4 |
| 180         |                 |      |      |      | 15.5 | 14.5 |
| 185         |                 |      |      |      |      | 14.2 |

137,400 lbs rear counterweight and 44,100 lbs carbody counterweight

TLT 11962422. Above load charts are for reference only. For actual lift duty please refer to load chart in operator's cabin or manual. Otherwise we recommend you to plan your lifting job using Crane Planner 2.0.



[www.liebherr.com/CranePlanner](http://www.liebherr.com/CranePlanner)

**Crane Planner 2.0**

# Load capacities with luffing jib

Load capacities in 1000 lbs with 84 ft main boom 75°

| Radius [ft] | Jib length [ft] |      |      |      |      |     |
|-------------|-----------------|------|------|------|------|-----|
|             | 74              | 132  | 181  | 209  | 238  | 258 |
| 63.2        | 53.0            |      |      |      |      |     |
| 90          | 46.9            | 45.7 |      |      |      |     |
| 110         |                 | 35.7 | 24.2 |      |      |     |
| 125         |                 | 30.5 | 22.8 | 16.6 |      |     |
| 135         |                 | 27.3 | 21.9 | 15.9 | 10.9 |     |
| 145         |                 | 25.4 | 21.1 | 15.4 | 10.6 | 7.3 |
| 155         |                 | 23.3 | 19.9 | 14.9 | 10.2 | 6.9 |
| 180         |                 |      | 16.9 | 13.9 | 9.4  | 6.2 |
| 205         |                 |      | 13.8 | 12.8 | 8.8  | 5.6 |
| 230         |                 |      |      | 10.4 | 8.2  | 5.2 |
| 260         |                 |      |      |      | 6.8  | 5.0 |
| 280         |                 |      |      |      |      | 4.9 |

137,400 lbs rear counterweight and 44,100 lbs carbody counterweight

Load capacities in 1000 lbs with 132 ft main boom 75°

| Radius [ft] | Jib length [ft] |      |      |      |      |     |
|-------------|-----------------|------|------|------|------|-----|
|             | 74              | 132  | 181  | 209  | 238  | 258 |
| 75.6        | 53.0            |      |      |      |      |     |
| 105         | 36.9            | 35.5 |      |      |      |     |
| 125         |                 | 28.6 | 22.2 |      |      |     |
| 135         |                 | 26.0 | 21.5 | 15.3 |      |     |
| 145         |                 | 23.8 | 20.9 | 15.0 | 10.1 |     |
| 155         |                 | 21.8 | 20.3 | 14.5 | 9.9  | 6.9 |
| 170         |                 | 19.3 | 18.3 | 13.9 | 9.4  | 6.5 |
| 190         |                 |      | 15.6 | 13.4 | 8.9  | 5.9 |
| 215         |                 |      | 13.0 | 12.4 | 8.5  | 5.4 |
| 245         |                 |      |      | 10.0 | 7.9  | 5.0 |
| 270         |                 |      |      |      | 6.9  | 4.8 |
| 290         |                 |      |      |      |      | 4.7 |

137,400 lbs rear counterweight and 44,100 lbs carbody counterweight

Load capacities in 1000 lbs with 181 ft main boom 75°

| Radius [ft] | Jib length [ft] |      |      |      |     |     |
|-------------|-----------------|------|------|------|-----|-----|
|             | 74              | 132  | 181  | 209  | 238 | 258 |
| 88.1        | 42.4            |      |      |      |     |     |
| 115         | 30.7            | 29.2 |      |      |     |     |
| 135         |                 | 23.9 | 18.7 |      |     |     |
| 150         |                 | 20.9 | 18.2 | 13.4 |     |     |
| 160         |                 | 19.2 | 17.7 | 13.2 | 8.2 |     |
| 170         |                 | 17.7 | 16.5 | 12.9 | 8.1 | 6.1 |
| 180         |                 | 16.3 | 15.2 | 12.6 | 7.8 | 5.9 |
| 200         |                 |      | 13.0 | 12.1 | 7.4 | 5.4 |
| 230         |                 |      | 10.5 | 9.9  | 7.0 | 4.9 |
| 255         |                 |      |      | 8.2  | 6.6 | 4.5 |
| 285         |                 |      |      |      | 5.8 | 4.3 |
| 305         |                 |      |      |      |     | 4.3 |

137,400 lbs rear counterweight and 44,100 lbs carbody counterweight

Load capacities in 1000 lbs with 191 ft main boom 75°

| Radius [ft] | Jib length [ft] |      |      |      |      |      |
|-------------|-----------------|------|------|------|------|------|
|             | 74              | 132  | 151  | 181  | 209  | 219  |
| 90.7        | 40.3            |      |      |      |      |      |
| 120         | 28.6            | 26.0 |      |      |      |      |
| 125         | 27.2            | 25.4 | 22.2 |      |      |      |
| 140         |                 | 22.3 | 21.4 | 17.0 |      |      |
| 150         |                 | 20.4 | 20.0 | 16.6 | 11.7 |      |
| 155         |                 | 19.6 | 19.1 | 16.3 | 11.7 | 10.3 |
| 170         |                 | 17.3 | 16.9 | 15.5 | 11.2 | 10.0 |
| 185         |                 | 15.4 | 15.0 | 14.3 | 10.8 | 9.6  |
| 205         |                 |      | 12.9 | 12.2 | 10.2 | 9.2  |
| 230         |                 |      |      | 10.2 | 9.4  | 8.5  |
| 260         |                 |      |      |      | 7.7  | 7.4  |
| 270         |                 |      |      |      |      | 6.9  |

137,400 lbs rear counterweight and 44,100 lbs carbody counterweight

Load capacities in 1000 lbs with 200 ft main boom 75°

| Radius [ft] | Jib length [ft] |      |      |      |      |      |
|-------------|-----------------|------|------|------|------|------|
|             | 74              | 104  | 132  | 142  | 151  | 161  |
| 93          | 37.5            |      |      |      |      |      |
| 110         | 31.3            | 29.5 |      |      |      |      |
| 120         | 28.2            | 27.4 | 21.5 |      |      |      |
| 125         | 26.8            | 26.0 | 21.4 | 19.8 |      |      |
| 130         | 25.5            | 24.8 | 20.7 | 19.6 | 18.5 | 16.9 |
| 140         |                 | 22.6 | 19.7 | 18.7 | 17.8 | 16.5 |
| 150         |                 | 20.7 | 18.8 | 17.8 | 17.0 | 15.9 |
| 160         |                 | 19.0 | 17.8 | 17.0 | 16.3 | 15.2 |
| 185         |                 |      | 15.1 | 14.8 | 14.6 | 13.7 |
| 195         |                 |      |      | 13.8 | 13.6 | 13.2 |
| 205         |                 |      |      |      | 12.6 | 12.4 |
| 215         |                 |      |      |      |      | 11.5 |

137,400 lbs rear counterweight and 44,100 lbs carbody counterweight

TLT 11962422. Above load charts are for reference only. For actual lift duty please refer to load chart in operator's cabin or manual. Otherwise we recommend you to plan your lifting job using Crane Planner 2.0.



www.liebherr.com/CranePlanner

**Crane Planner 2.0**



# Load capacities with luffing jib

Load capacities in 1000 lbs with 84 ft main boom 65°

| Radius [ft] | Jib length [ft] |      |      |      |     |     |
|-------------|-----------------|------|------|------|-----|-----|
|             | 74              | 132  | 181  | 209  | 238 | 258 |
| 88          | 45.7            |      |      |      |     |     |
| 125         |                 | 28.6 |      |      |     |     |
| 150         |                 | 22.7 | 21.3 |      |     |     |
| 170         |                 | 19.3 | 18.2 | 14.6 |     |     |
| 185         |                 |      | 16.2 | 14.0 | 9.4 |     |
| 195         |                 |      | 15.0 | 13.6 | 9.2 | 6.0 |
| 205         |                 |      | 14.0 | 13.2 | 8.9 | 5.8 |
| 220         |                 |      | 12.5 | 12.0 | 8.7 | 5.5 |
| 230         |                 |      |      | 11.2 | 8.5 | 5.3 |
| 245         |                 |      |      | 10.0 | 8.2 | 5.1 |
| 275         |                 |      |      |      | 7.0 | 4.9 |
| 290         |                 |      |      |      |     | 4.9 |

137,400 lbs rear counterweight and 44,100 lbs carbody counterweight

Load capacities in 1000 lbs with 132 ft main boom 65°

| Radius [ft] | Jib length [ft] |      |      |      |     |     |
|-------------|-----------------|------|------|------|-----|-----|
|             | 74              | 132  | 181  | 209  | 238 | 258 |
| 108.4       | 32.0            |      |      |      |     |     |
| 145         |                 | 21.0 |      |      |     |     |
| 170         |                 | 17.0 | 15.7 |      |     |     |
| 190         |                 | 14.6 | 13.4 | 12.7 |     |     |
| 205         |                 |      | 11.9 | 11.3 | 8.7 |     |
| 215         |                 |      | 11.1 | 10.4 | 8.5 | 5.5 |
| 230         |                 |      | 9.9  | 9.3  | 8.2 | 5.3 |
| 240         |                 |      | 9.2  | 8.6  | 7.9 | 5.2 |
| 255         |                 |      |      | 7.7  | 7.0 | 5.0 |
| 265         |                 |      |      | 7.2  | 6.5 | 4.8 |
| 295         |                 |      |      |      | 5.1 | 4.6 |
| 310         |                 |      |      |      |     | 4.0 |

137,400 lbs rear counterweight and 44,100 lbs carbody counterweight

Load capacities in 1000 lbs with 171 ft main boom 65°

| Radius [ft] | Jib length [ft] |      |      |     |     |     |
|-------------|-----------------|------|------|-----|-----|-----|
|             | 74              | 132  | 181  | 209 | 238 | 258 |
| 124.6       | 24.1            |      |      |     |     |     |
| 160         |                 | 16.1 |      |     |     |     |
| 190         |                 | 12.6 | 11.3 |     |     |     |
| 205         |                 | 11.3 | 10.0 | 9.3 |     |     |
| 220         |                 |      | 8.9  | 8.2 | 7.1 |     |
| 230         |                 |      | 8.2  | 7.5 | 6.5 | 5.1 |
| 240         |                 |      | 7.6  | 7.0 | 5.9 | 5.1 |
| 255         |                 |      | 6.8  | 6.2 | 5.2 | 4.4 |
| 265         |                 |      |      | 5.7 | 4.8 | 4.0 |
| 280         |                 |      |      | 5.0 | 4.2 | 3.4 |
| 310         |                 |      |      |     | 3.2 | 2.4 |
| 325         |                 |      |      |     |     | 2.0 |

137,400 lbs rear counterweight and 44,100 lbs carbody counterweight

Load capacities in 1000 lbs with 181 ft main boom 65°

| Radius [ft] | Jib length [ft] |      |      |     |     |     |
|-------------|-----------------|------|------|-----|-----|-----|
|             | 74              | 132  | 181  | 209 | 238 | 258 |
| 128.8       | 22.4            |      |      |     |     |     |
| 165         |                 | 14.8 |      |     |     |     |
| 190         |                 | 12.1 | 10.7 |     |     |     |
| 210         |                 | 10.4 | 9.1  | 8.2 |     |     |
| 225         |                 |      | 8.1  | 7.3 | 6.0 |     |
| 235         |                 |      | 7.5  | 6.7 | 5.5 | 4.6 |
| 245         |                 |      | 6.9  | 6.2 | 5.0 | 4.2 |
| 260         |                 |      | 6.1  | 5.5 | 4.4 | 3.5 |
| 270         |                 |      |      | 5.0 | 4.0 | 3.1 |
| 285         |                 |      |      | 4.4 | 3.4 | 2.6 |
| 305         |                 |      |      |     | 2.8 | 2.0 |
| 315         |                 |      |      |     | 2.6 |     |

137,400 lbs rear counterweight and 44,100 lbs carbody counterweight

Load capacities in 1000 lbs with 191 ft main boom 65°

| Radius [ft] | Jib length [ft] |      |      |     |     |     |
|-------------|-----------------|------|------|-----|-----|-----|
|             | 74              | 132  | 161  | 190 | 209 | 219 |
| 132.9       | 20.7            |      |      |     |     |     |
| 150         | 17.7            |      |      |     |     |     |
| 170         |                 | 13.5 |      |     |     |     |
| 185         |                 | 11.9 | 11.1 |     |     |     |
| 200         |                 | 10.6 | 9.8  | 9.0 |     |     |
| 215         |                 | 9.5  | 8.7  | 8.0 | 7.1 |     |
| 220         |                 |      | 8.4  | 7.7 | 6.8 | 6.3 |
| 235         |                 |      | 7.5  | 6.8 | 6.0 | 5.5 |
| 245         |                 |      | 6.9  | 6.3 | 5.5 | 5.1 |
| 270         |                 |      |      | 5.1 | 4.5 | 4.1 |
| 290         |                 |      |      |     | 3.8 | 3.4 |
| 300         |                 |      |      |     |     | 3.1 |

137,400 lbs rear counterweight and 44,100 lbs carbody counterweight

TLT 11962422. Above load charts are for reference only. For actual lift duty please refer to load chart in operator's cabin or manual. Otherwise we recommend you to plan your lifting job using Crane Planner 2.0.

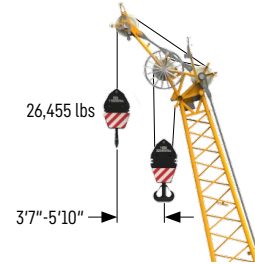
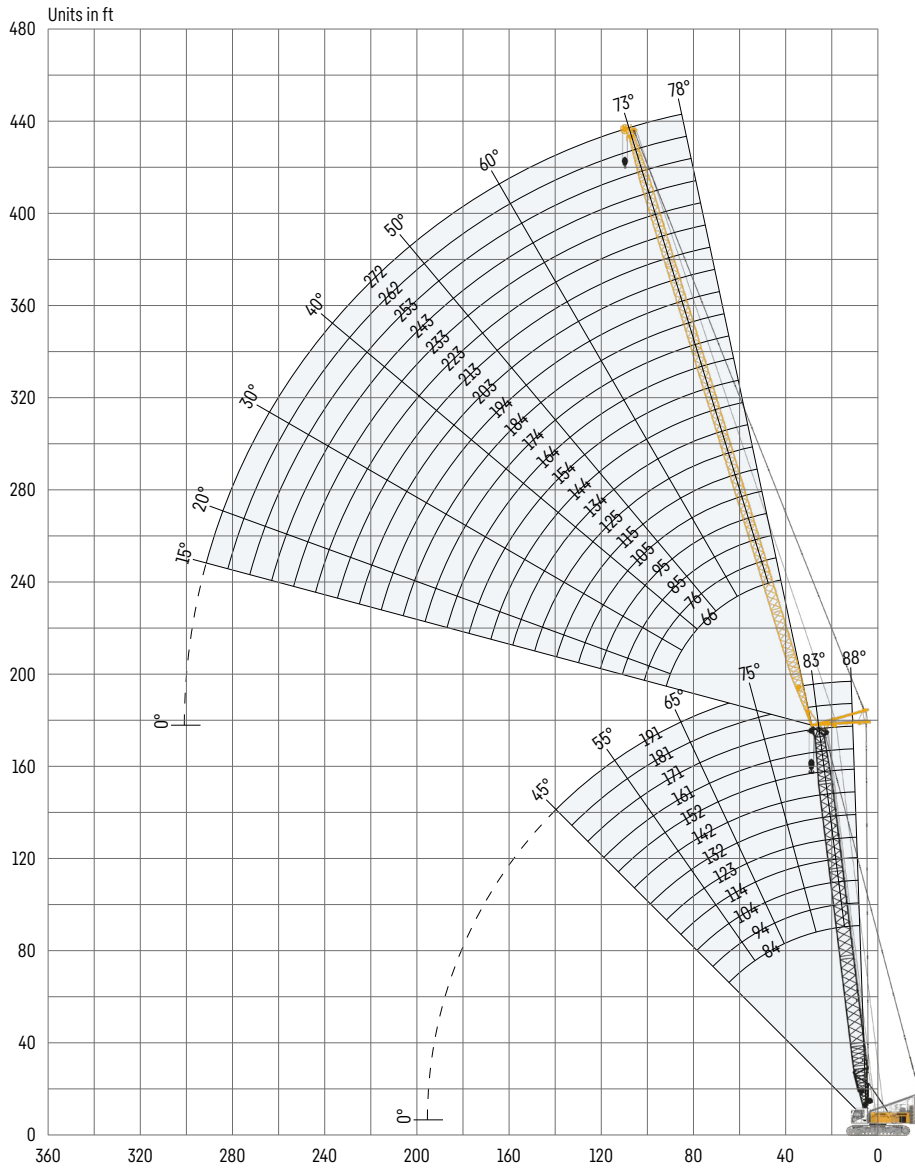


[www.liebherr.com/CranePlanner](http://www.liebherr.com/CranePlanner)

**Crane Planner 2.0**

# Luffing jib 1713.xx

## Jib lengths 66-272 ft



**Auxiliary jib 26,455 lbs (option)**  
The maximum capacity of the auxiliary jib is 26,455 lbs.

### Jib configuration 1713.xx

| Jib section       | Amount of jib sections |    |    |    |     |     |     |     |     |     |     |     |     |     |     |     |     |     |     |     |     |     |
|-------------------|------------------------|----|----|----|-----|-----|-----|-----|-----|-----|-----|-----|-----|-----|-----|-----|-----|-----|-----|-----|-----|-----|
| Jib foot 23 ft    | 1                      | 1  | 1  | 1  | 1   | 1   | 1   | 1   | 1   | 1   | 1   | 1   | 1   | 1   | 1   | 1   | 1   | 1   | 1   | 1   |     |     |
| Jib section 10 ft |                        | 1  |    | 1  |     | 1   |     | 1   |     | 1   |     | 1   |     | 1   |     | 1   |     | 1   |     | 1   |     |     |
| Jib section 20 ft | 1                      | 1  |    |    | 1   | 1   |     |     | 1   | 1   |     |     | 1   | 1   |     |     | 1   | 1   |     | 1   |     |     |
| Jib section 40 ft |                        |    | 1  | 1  | 1   | 1   | 2   | 2   | 2   | 2   | 3   | 3   | 3   | 3   | 4   | 4   | 4   | 4   | 5   | 5   | 5   | 5   |
| Jib head 23 ft    | 1                      | 1  | 1  | 1  | 1   | 1   | 1   | 1   | 1   | 1   | 1   | 1   | 1   | 1   | 1   | 1   | 1   | 1   | 1   | 1   | 1   | 1   |
| Jib length [ft]   | 66                     | 76 | 85 | 95 | 105 | 115 | 125 | 134 | 144 | 154 | 164 | 174 | 184 | 194 | 203 | 213 | 223 | 233 | 243 | 253 | 262 | 272 |
| Auxiliary jib     | ✓                      | ✓  | ✓  | ✓  | ✓   | ✓   | ✓   | ✓   | ✓   | ✓   | ✓   | ✓   | ✓   | ✓   | ✓   | ✓   | ✓   | ✓   | ✓   | ✓   | ✓   | ✓   |

Actual lengths of boom sections are metric (e.g. 3 m, 6 m). The figures shown above are approximate conversions to feet.  
For main boom configuration please refer to the table on page 18.

# Load capacities with luffing jib

Load capacities in 1000 lbs with 84 ft main boom 88°

| Radius [ft] | Jib length [ft] |      |      |      |      |      |
|-------------|-----------------|------|------|------|------|------|
|             | 66              | 115  | 154  | 194  | 233  | 272  |
| 26.3        | 130.5           |      |      |      |      |      |
| 40          | 110.1           | 91.5 |      |      |      |      |
| 50          | 84.3            | 78.7 | 61.8 |      |      |      |
| 55          | 76.0            | 71.9 | 60.8 | 41.6 |      |      |
| 65          | 61.4            | 57.3 | 53.4 | 40.1 | 27.1 |      |
| 70          | 55.1            | 53.0 | 50.4 | 39.3 | 26.6 | 17.8 |
| 95          |                 | 35.9 | 33.9 | 31.4 | 23.7 | 15.9 |
| 120         |                 | 26.6 | 26.5 | 23.2 | 20.6 | 14.2 |
| 160         |                 |      | 17.1 | 15.9 | 14.3 | 11.3 |
| 195         |                 |      |      | 11.2 | 9.9  | 8.5  |
| 235         |                 |      |      |      | 6.1  | 5.0  |
| 275         |                 |      |      |      |      | 2.3  |

137,400 lbs rear counterweight and 44,100 lbs carbody counterweight

Load capacities in 1000 lbs with 123 ft main boom 88°

| Radius [ft] | Jib length [ft] |      |      |      |      |      |
|-------------|-----------------|------|------|------|------|------|
|             | 66              | 115  | 154  | 194  | 233  | 272  |
| 27.6        | 120.0           |      |      |      |      |      |
| 40          | 100.6           | 74.9 |      |      |      |      |
| 50          | 83.6            | 69.0 | 49.8 |      |      |      |
| 55          | 78.4            | 66.3 | 48.9 | 34.4 |      |      |
| 65          | 63.6            | 57.3 | 47.1 | 33.8 | 23.8 |      |
| 75          | 51.4            | 49.2 | 43.9 | 32.7 | 23.1 | 16.0 |
| 95          |                 | 36.9 | 34.9 | 29.7 | 21.7 | 14.9 |
| 120         |                 | 27.1 | 26.6 | 24.8 | 19.7 | 13.4 |
| 160         |                 |      | 17.6 | 16.3 | 14.4 | 11.0 |
| 200         |                 |      |      | 10.7 | 9.4  | 8.4  |
| 235         |                 |      |      |      | 6.4  | 5.3  |
| 275         |                 |      |      |      |      | 2.5  |

137,400 lbs rear counterweight and 44,100 lbs carbody counterweight

Load capacities in 1000 lbs with 142 ft main boom 88°

| Radius [ft] | Jib length [ft] |      |      |      |      |      |
|-------------|-----------------|------|------|------|------|------|
|             | 66              | 115  | 154  | 194  | 233  | 272  |
| 28.3        | 103.5           |      |      |      |      |      |
| 40          | 88.0            | 63.8 |      |      |      |      |
| 50          | 76.3            | 60.7 | 43.5 |      |      |      |
| 60          | 67.1            | 56.0 | 42.0 | 30.7 |      |      |
| 65          | 62.9            | 53.2 | 41.0 | 30.2 | 21.7 |      |
| 75          | 52.5            | 47.6 | 39.3 | 29.2 | 21.3 | 14.9 |
| 95          |                 | 37.3 | 34.4 | 27.2 | 20.0 | 14.0 |
| 125         |                 | 25.8 | 25.6 | 22.2 | 18.3 | 12.5 |
| 160         |                 |      | 17.8 | 16.4 | 14.1 | 10.7 |
| 200         |                 |      |      | 10.8 | 9.7  | 8.5  |
| 235         |                 |      |      |      | 6.4  | 5.4  |
| 275         |                 |      |      |      |      | 2.7  |

137,400 lbs rear counterweight and 44,100 lbs carbody counterweight

Load capacities in 1000 lbs with 171 ft main boom 88°

| Radius [ft] | Jib length [ft] |      |      |      |      |      |
|-------------|-----------------|------|------|------|------|------|
|             | 66              | 115  | 154  | 194  | 233  | 272  |
| 29.3        | 78.7            |      |      |      |      |      |
| 40          | 71.6            | 50.3 |      |      |      |      |
| 50          | 62.7            | 48.3 | 35.7 |      |      |      |
| 60          | 56.1            | 45.1 | 34.5 | 25.9 |      |      |
| 65          | 53.2            | 42.9 | 33.6 | 25.5 | 15.3 |      |
| 75          | 48.6            | 39.4 | 32.2 | 24.6 | 14.9 | 10.6 |
| 95          |                 | 33.4 | 29.0 | 22.8 | 13.8 | 9.7  |
| 125         |                 | 26.1 | 23.7 | 20.0 | 12.5 | 8.8  |
| 160         |                 |      | 17.7 | 15.9 | 11.1 | 7.8  |
| 200         |                 |      |      | 11.2 | 8.8  | 6.5  |
| 240         |                 |      |      |      | 5.7  | 4.4  |
| 275         |                 |      |      |      |      | 2.3  |

137,400 lbs rear counterweight and 44,100 lbs carbody counterweight

Load capacities in 1000 lbs with 191 ft main boom 88°

| Radius [ft] | Jib length [ft] |      |      |      |      |      |
|-------------|-----------------|------|------|------|------|------|
|             | 66              | 95   | 115  | 134  | 154  | 164  |
| 30          | 65.9            |      |      |      |      |      |
| 40          | 61.9            | 49.8 |      |      |      |      |
| 50          | 54.7            | 46.8 | 41.1 | 36.0 | 27.2 |      |
| 55          | 51.6            | 44.3 | 39.8 | 35.3 | 26.3 | 24.8 |
| 65          | 46.5            | 40.3 | 36.6 | 33.5 | 24.7 | 23.3 |
| 75          | 42.9            | 36.7 | 33.7 | 30.6 | 23.5 | 22.1 |
| 90          |                 | 32.5 | 30.0 | 27.4 | 21.9 | 20.6 |
| 105         |                 | 30.2 | 27.1 | 25.0 | 20.1 | 19.1 |
| 125         |                 |      | 24.7 | 22.3 | 18.2 | 17.3 |
| 145         |                 |      |      | 20.1 | 16.4 | 15.7 |
| 165         |                 |      |      |      | 11.3 | 14.4 |
| 170         |                 |      |      |      |      | 14.1 |

137,400 lbs rear counterweight and 44,100 lbs carbody counterweight

TLT 11962422. Above load charts are for reference only. For actual lift duty please refer to load chart in operator's cabin or manual. Otherwise we recommend you to plan your lifting job using Crane Planner 2.0.



[www.liebherr.com/CranePlanner](http://www.liebherr.com/CranePlanner)

**Crane Planner 2.0**

# Load capacities with luffing jib

Load capacities in 1000 lbs with 84 ft main boom 83°

| Radius [ft] | Jib length [ft] |      |      |      |      |      |
|-------------|-----------------|------|------|------|------|------|
|             | 66              | 115  | 154  | 194  | 233  | 272  |
| 39.3        | 130.5           |      |      |      |      |      |
| 55          | 89.2            | 82.0 |      |      |      |      |
| 70          | 64.5            | 59.9 | 57.2 |      |      |      |
| 80          | 53.1            | 50.7 | 48.4 | 38.6 |      |      |
| 90          |                 | 42.6 | 40.7 | 36.5 | 24.8 |      |
| 100         |                 | 37.1 | 35.2 | 32.6 | 23.9 | 15.7 |
| 115         |                 | 30.9 | 28.7 | 26.9 | 22.2 | 14.9 |
| 130         |                 | 26.6 | 25.8 | 22.5 | 20.5 | 14.0 |
| 165         |                 |      | 17.8 | 16.4 | 14.6 | 11.6 |
| 205         |                 |      |      | 10.9 | 9.7  | 8.3  |
| 240         |                 |      |      |      | 6.4  | 5.3  |
| 280         |                 |      |      |      |      | 2.5  |

137,400 lbs rear counterweight and 44,100 lbs carbody counterweight

Load capacities in 1000 lbs with 123 ft main boom 83°

| Radius [ft] | Jib length [ft] |      |      |      |      |      |
|-------------|-----------------|------|------|------|------|------|
|             | 66              | 115  | 154  | 194  | 233  | 272  |
| 44          | 108.0           |      |      |      |      |      |
| 60          | 78.7            | 70.7 |      |      |      |      |
| 70          | 65.0            | 63.9 | 49.6 |      |      |      |
| 85          | 51.2            | 50.2 | 47.4 | 33.8 |      |      |
| 95          |                 | 42.6 | 40.5 | 32.9 | 22.2 |      |
| 105         |                 | 37.2 | 35.3 | 30.8 | 21.9 | 14.6 |
| 120         |                 | 31.1 | 28.8 | 27.0 | 20.7 | 13.9 |
| 135         |                 | 26.6 | 25.8 | 23.5 | 19.4 | 13.1 |
| 170         |                 |      | 17.9 | 16.4 | 14.6 | 11.1 |
| 210         |                 |      |      | 10.9 | 9.8  | 8.4  |
| 245         |                 |      |      |      | 6.6  | 5.2  |
| 285         |                 |      |      |      |      | 2.6  |

137,400 lbs rear counterweight and 44,100 lbs carbody counterweight

Load capacities in 1000 lbs with 142 ft main boom 83°

| Radius [ft] | Jib length [ft] |      |      |      |      |      |
|-------------|-----------------|------|------|------|------|------|
|             | 66              | 115  | 154  | 194  | 233  | 272  |
| 46.4        | 92.0            |      |      |      |      |      |
| 65          | 70.6            | 60.4 |      |      |      |      |
| 75          | 59.2            | 55.4 | 42.9 |      |      |      |
| 85          | 50.7            | 49.7 | 41.7 | 30.3 |      |      |
| 100         |                 | 40.7 | 38.0 | 29.4 | 20.7 |      |
| 110         |                 | 36.1 | 33.7 | 28.2 | 20.2 | 13.7 |
| 125         |                 | 30.3 | 28.0 | 26.0 | 19.3 | 13.1 |
| 135         |                 | 26.6 | 26.4 | 23.0 | 18.7 | 12.6 |
| 175         |                 |      | 17.4 | 15.5 | 14.3 | 10.6 |
| 210         |                 |      |      | 10.9 | 9.8  | 8.8  |
| 250         |                 |      |      |      | 6.3  | 5.3  |
| 290         |                 |      |      |      |      | 2.4  |

137,400 lbs rear counterweight and 44,100 lbs carbody counterweight

Load capacities in 1000 lbs with 171 ft main boom 83°

| Radius [ft] | Jib length [ft] |      |      |      |      |      |
|-------------|-----------------|------|------|------|------|------|
|             | 66              | 115  | 154  | 194  | 233  | 272  |
| 49.9        | 70.5            |      |      |      |      |      |
| 65          | 60.8            | 46.3 |      |      |      |      |
| 80          | 52.7            | 41.6 | 34.4 |      |      |      |
| 90          | 46.5            | 38.7 | 32.8 | 25.2 |      |      |
| 100         |                 | 36.0 | 31.0 | 24.4 | 15.0 |      |
| 115         |                 | 32.2 | 28.3 | 22.9 | 14.3 | 10.0 |
| 125         |                 | 30.1 | 26.5 | 22.1 | 13.9 | 9.6  |
| 140         |                 | 25.8 | 23.8 | 20.3 | 13.3 | 9.2  |
| 175         |                 |      | 18.0 | 16.0 | 11.9 | 8.2  |
| 215         |                 |      |      | 10.9 | 9.0  | 6.9  |
| 255         |                 |      |      |      | 5.8  | 4.6  |
| 290         |                 |      |      |      |      | 2.3  |

137,400 lbs rear counterweight and 44,100 lbs carbody counterweight

Load capacities in 1000 lbs with 191 ft main boom 83°

| Radius [ft] | Jib length [ft] |      |      |      |      |      |
|-------------|-----------------|------|------|------|------|------|
|             | 66              | 95   | 115  | 134  | 154  | 164  |
| 52.3        | 58.2            |      |      |      |      |      |
| 65          | 51.8            | 44.4 |      |      |      |      |
| 70          | 48.9            | 42.6 | 38.4 |      |      |      |
| 75          | 46.8            | 40.5 | 36.8 | 33.1 |      |      |
| 80          | 44.9            | 39.0 | 35.4 | 32.1 | 25.6 |      |
| 85          | 43.3            | 37.2 | 34.0 | 31.1 | 25.2 | 23.8 |
| 95          | 40.4            | 34.6 | 31.6 | 28.9 | 23.8 | 22.6 |
| 120         |                 | 29.8 | 27.1 | 24.8 | 20.6 | 19.8 |
| 140         |                 |      | 24.5 | 22.3 | 18.7 | 17.8 |
| 160         |                 |      |      | 20.3 | 17.0 | 16.2 |
| 180         |                 |      |      |      | 13.6 | 14.9 |
| 190         |                 |      |      |      |      | 12.6 |

137,400 lbs rear counterweight and 44,100 lbs carbody counterweight

TLT 11962422. Above load charts are for reference only. For actual lift duty please refer to load chart in operator's cabin or manual. Otherwise we recommend you to plan your lifting job using Crane Planner 2.0.



[www.liebherr.com/CranePlanner](http://www.liebherr.com/CranePlanner)

**Crane Planner 2.0**

# Load capacities with luffing jib

Load capacities in 1000 lbs with 84 ft main boom 75°

| Radius [ft] | Jib length [ft] |      |      |      |      |      |
|-------------|-----------------|------|------|------|------|------|
|             | 66              | 115  | 154  | 194  | 233  | 272  |
| 59.4        | 53.0            |      |      |      |      |      |
| 85          | 49.8            | 48.6 |      |      |      |      |
| 100         |                 | 39.8 | 38.7 |      |      |      |
| 115         |                 | 33.4 | 32.5 | 30.0 |      |      |
| 135         |                 | 27.3 | 26.4 | 25.5 | 21.1 |      |
| 150         |                 |      | 23.0 | 21.5 | 19.1 | 13.3 |
| 160         |                 |      | 20.9 | 19.4 | 17.6 | 13.2 |
| 170         |                 |      | 19.0 | 17.3 | 15.6 | 12.6 |
| 180         |                 |      | 17.0 | 15.4 | 14.2 | 11.8 |
| 215         |                 |      |      | 11.0 | 9.4  | 8.1  |
| 255         |                 |      |      |      | 6.1  | 4.7  |
| 290         |                 |      |      |      |      | 2.7  |

137,400 lbs rear counterweight and 44,100 lbs carbody counterweight

Load capacities in 1000 lbs with 123 ft main boom 75°

| Radius [ft] | Jib length [ft] |      |      |      |      |      |
|-------------|-----------------|------|------|------|------|------|
|             | 66              | 115  | 154  | 194  | 233  | 272  |
| 69.4        | 53.0            |      |      |      |      |      |
| 95          | 41.6            | 40.3 |      |      |      |      |
| 110         |                 | 33.6 | 32.5 |      |      |      |
| 125         |                 | 28.6 | 27.5 | 26.5 |      |      |
| 145         |                 | 23.6 | 22.7 | 21.7 | 19.7 |      |
| 160         |                 |      | 19.9 | 18.9 | 17.8 | 12.4 |
| 175         |                 |      | 17.5 | 16.6 | 15.5 | 12.0 |
| 190         |                 |      | 15.6 | 14.6 | 13.6 | 11.2 |
| 205         |                 |      |      | 13.0 | 12.0 | 9.9  |
| 225         |                 |      |      | 11.2 | 9.7  | 8.5  |
| 265         |                 |      |      |      | 6.3  | 4.9  |
| 300         |                 |      |      |      |      | 2.8  |

137,400 lbs rear counterweight and 44,100 lbs carbody counterweight

Load capacities in 1000 lbs with 142 ft main boom 75°

| Radius [ft] | Jib length [ft] |      |      |      |      |      |
|-------------|-----------------|------|------|------|------|------|
|             | 66              | 115  | 154  | 194  | 233  | 272  |
| 74.5        | 53.0            |      |      |      |      |      |
| 100         | 38.1            | 36.7 |      |      |      |      |
| 115         |                 | 30.8 | 29.6 |      |      |      |
| 130         |                 | 26.4 | 25.3 | 24.2 |      |      |
| 150         |                 | 21.9 | 20.9 | 19.9 | 18.1 |      |
| 165         |                 |      | 18.4 | 17.3 | 16.2 | 11.8 |
| 180         |                 |      | 16.2 | 15.2 | 14.2 | 11.5 |
| 195         |                 |      | 14.4 | 13.5 | 12.4 | 10.9 |
| 215         |                 |      |      | 11.5 | 10.5 | 9.2  |
| 230         |                 |      |      | 10.2 | 9.3  | 8.1  |
| 270         |                 |      |      |      | 6.4  | 5.0  |
| 305         |                 |      |      |      |      | 2.9  |

137,400 lbs rear counterweight and 44,100 lbs carbody counterweight

Load capacities in 1000 lbs with 171 ft main boom 75°

| Radius [ft] | Jib length [ft] |      |      |      |      |     |
|-------------|-----------------|------|------|------|------|-----|
|             | 66              | 115  | 154  | 194  | 233  | 272 |
| 81.8        | 46.6            |      |      |      |      |     |
| 105         | 34.3            | 32.8 |      |      |      |     |
| 120         |                 | 27.7 | 26.5 |      |      |     |
| 140         |                 | 22.7 | 21.6 | 20.4 |      |     |
| 155         |                 | 19.9 | 18.8 | 17.7 | 12.8 |     |
| 170         |                 |      | 16.6 | 15.5 | 12.4 | 8.3 |
| 185         |                 |      | 14.6 | 13.6 | 11.8 | 8.2 |
| 200         |                 |      | 13.0 | 12.0 | 10.8 | 7.8 |
| 220         |                 |      |      | 10.2 | 9.2  | 7.2 |
| 240         |                 |      |      | 8.7  | 7.7  | 6.0 |
| 275         |                 |      |      |      | 5.7  | 4.2 |
| 315         |                 |      |      |      |      | 2.1 |

137,400 lbs rear counterweight and 44,100 lbs carbody counterweight

Load capacities in 1000 lbs with 191 ft main boom 75°

| Radius [ft] | Jib length [ft] |      |      |      |      |      |
|-------------|-----------------|------|------|------|------|------|
|             | 66              | 95   | 115  | 134  | 154  | 164  |
| 86.9        | 41.7            |      |      |      |      |      |
| 100         | 35.2            | 33.8 |      |      |      |      |
| 110         | 31.2            | 30.4 | 29.1 |      |      |      |
| 120         | 28.0            | 27.2 | 26.6 | 25.2 |      |      |
| 125         |                 | 25.9 | 25.3 | 24.4 | 19.5 |      |
| 130         |                 | 24.6 | 24.0 | 23.4 | 19.3 | 18.1 |
| 140         |                 | 22.4 | 21.8 | 21.2 | 18.3 | 17.4 |
| 150         |                 | 20.4 | 19.9 | 19.4 | 17.3 | 16.6 |
| 170         |                 |      | 16.7 | 16.3 | 15.6 | 15.0 |
| 185         |                 |      |      | 14.4 | 13.9 | 13.8 |
| 205         |                 |      |      |      | 11.8 | 11.7 |
| 215         |                 |      |      |      |      | 10.8 |

137,400 lbs rear counterweight and 44,100 lbs carbody counterweight

TLT 11962422. Above load charts are for reference only. For actual lift duty please refer to load chart in operator's cabin or manual. Otherwise we recommend you to plan your lifting job using Crane Planner 2.0.



[www.liebherr.com/CranePlanner](http://www.liebherr.com/CranePlanner)

**Crane Planner 2.0**

# Load capacities with luffing jib

Load capacities in 1000 lbs with 84 ft main boom 65°

| Radius [ft] | Jib length [ft] |      |      |      |      |      |
|-------------|-----------------|------|------|------|------|------|
|             | 66              | 115  | 154  | 194  | 233  | 272  |
| 83          | 48.5            |      |      |      |      |      |
| 115         |                 | 31.2 |      |      |      |      |
| 135         |                 | 25.5 | 24.4 |      |      |      |
| 155         |                 | 21.3 | 20.4 |      |      |      |
| 160         |                 |      | 19.5 | 18.4 |      |      |
| 180         |                 |      | 16.5 | 15.5 | 14.4 |      |
| 190         |                 |      | 15.3 | 14.3 | 13.3 |      |
| 205         |                 |      |      | 12.7 | 11.7 | 10.4 |
| 220         |                 |      |      | 11.3 | 10.3 | 9.1  |
| 230         |                 |      |      | 10.5 | 9.2  | 8.0  |
| 270         |                 |      |      |      | 6.0  | 4.5  |
| 305         |                 |      |      |      |      | 2.6  |

137,400 lbs rear counterweight and 44,100 lbs carbody counterweight

Load capacities in 1000 lbs with 123 ft main boom 65°

| Radius [ft] | Jib length [ft] |      |      |      |      |     |
|-------------|-----------------|------|------|------|------|-----|
|             | 66              | 115  | 154  | 194  | 233  | 272 |
| 99.2        | 35.9            |      |      |      |      |     |
| 130         |                 | 24.3 |      |      |      |     |
| 150         |                 | 20.1 | 19.0 |      |      |     |
| 175         |                 |      | 15.3 | 14.2 |      |     |
| 190         |                 |      | 13.5 | 12.4 |      |     |
| 200         |                 |      | 12.5 | 11.4 | 10.3 |     |
| 210         |                 |      | 11.6 | 10.5 | 9.4  |     |
| 220         |                 |      |      | 9.7  | 8.6  | 7.2 |
| 235         |                 |      |      | 8.6  | 7.6  | 6.2 |
| 245         |                 |      |      | 8.0  | 6.9  | 5.6 |
| 285         |                 |      |      |      | 4.8  | 3.7 |
| 320         |                 |      |      |      |      | 2.4 |

137,400 lbs rear counterweight and 44,100 lbs carbody counterweight

Load capacities in 1000 lbs with 142 ft main boom 65°

| Radius [ft] | Jib length [ft] |      |      |      |     |     |
|-------------|-----------------|------|------|------|-----|-----|
|             | 66              | 115  | 154  | 194  | 233 | 272 |
| 107.5       | 30.9            |      |      |      |     |     |
| 140         |                 | 20.7 |      |      |     |     |
| 160         |                 | 17.3 | 16.1 |      |     |     |
| 185         |                 |      | 13.0 | 11.9 |     |     |
| 195         |                 |      | 12.0 | 10.9 |     |     |
| 205         |                 |      | 11.1 | 10.0 | 8.8 |     |
| 215         |                 |      | 10.2 | 9.2  | 8.0 |     |
| 230         |                 |      |      | 8.1  | 7.0 | 5.2 |
| 245         |                 |      |      | 7.2  | 6.1 | 4.3 |
| 255         |                 |      |      | 6.6  | 5.5 | 3.8 |
| 295         |                 |      |      |      | 3.6 | 2.2 |
| 300         |                 |      |      |      |     | 2.0 |

137,400 lbs rear counterweight and 44,100 lbs carbody counterweight

Load capacities in 1000 lbs with 171 ft main boom 65°

| Radius [ft] | Jib length [ft] |      |      |     |     |     |
|-------------|-----------------|------|------|-----|-----|-----|
|             | 66              | 115  | 154  | 194 | 233 | 272 |
| 119.6       | 24.7            |      |      |     |     |     |
| 150         |                 | 16.9 |      |     |     |     |
| 175         |                 | 13.6 | 12.4 |     |     |     |
| 185         |                 | 12.5 | 11.4 |     |     |     |
| 195         |                 |      | 10.4 | 9.2 |     |     |
| 210         |                 |      | 9.2  | 8.0 |     |     |
| 220         |                 |      | 8.5  | 7.4 | 5.5 |     |
| 230         |                 |      | 7.8  | 6.7 | 4.9 |     |
| 240         |                 |      |      | 6.2 | 4.4 | 2.5 |
| 250         |                 |      |      | 5.6 | 3.9 | 2.1 |
| 265         |                 |      |      | 4.9 | 3.3 |     |
| 305         |                 |      |      |     | 2.0 |     |

137,400 lbs rear counterweight and 44,100 lbs carbody counterweight

Load capacities in 1000 lbs with 191 ft main boom 65°

| Radius [ft] | Jib length [ft] |      |      |      |      |     |
|-------------|-----------------|------|------|------|------|-----|
|             | 66              | 95   | 115  | 134  | 154  | 164 |
| 127.9       | 21.0            |      |      |      |      |     |
| 135         | 19.6            |      |      |      |      |     |
| 145         | 17.9            | 16.8 |      |      |      |     |
| 160         |                 | 14.8 | 14.1 |      |      |     |
| 170         |                 | 13.5 | 12.9 | 12.3 |      |     |
| 180         |                 | 12.4 | 11.8 | 11.3 | 10.5 |     |
| 185         |                 |      | 11.3 | 10.8 | 10.1 | 9.9 |
| 200         |                 |      | 10.0 | 9.5  | 8.9  | 8.7 |
| 210         |                 |      |      | 8.8  | 8.1  | 8.0 |
| 220         |                 |      |      | 8.1  | 7.5  | 7.3 |
| 235         |                 |      |      |      | 6.6  | 6.4 |
| 245         |                 |      |      |      |      | 5.9 |

137,400 lbs rear counterweight and 44,100 lbs carbody counterweight

TLT 11962422. Above load charts are for reference only. For actual lift duty please refer to load chart in operator's cabin or manual. Otherwise we recommend you to plan your lifting job using Crane Planner 2.0.

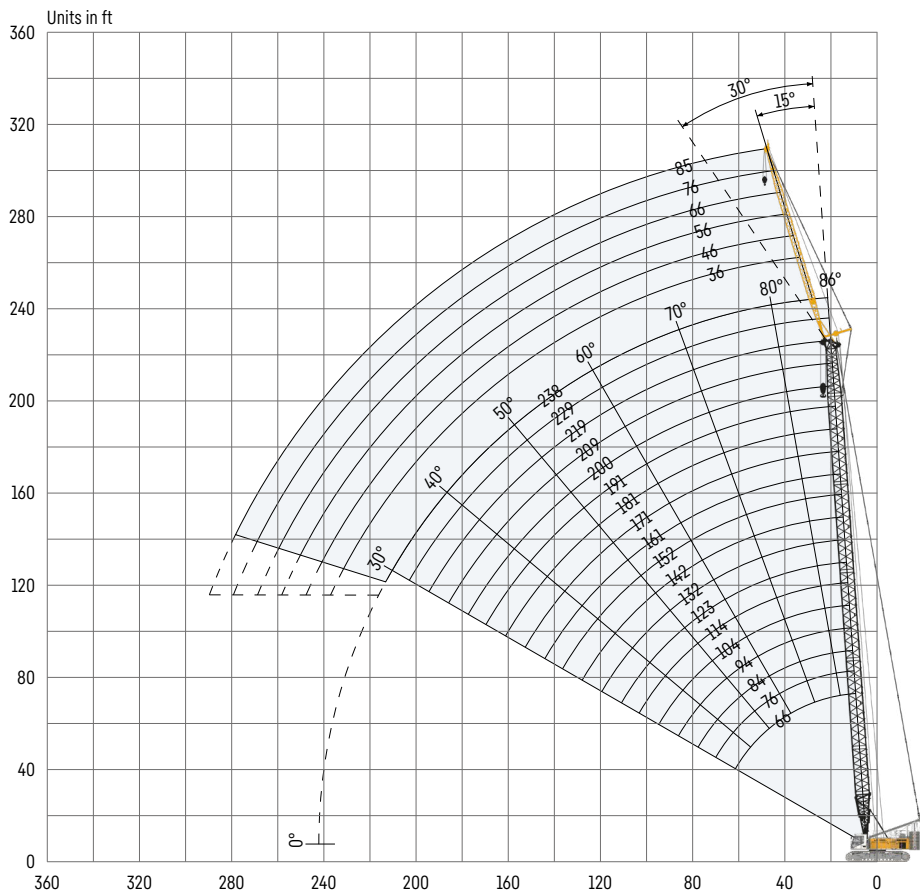


[www.liebherr.com/CranePlanner](http://www.liebherr.com/CranePlanner)

**Crane Planner 2.0**

# Fixed jib 1008.xx

## Jib lengths 36-85 ft



### Jib configuration 1008.xx

| Jib section            | Amount of jib sections |           |           |           |           |           |
|------------------------|------------------------|-----------|-----------|-----------|-----------|-----------|
| Jib foot 18 ft         | 1                      | 1         | 1         | 1         | 1         | 1         |
| Jib section 10 ft      |                        | 1         |           | 1         |           | 1         |
| Jib section 20 ft      |                        |           | 1         | 1         | 2         | 2         |
| Jib head 18 ft         | 1                      | 1         | 1         | 1         | 1         | 1         |
| <b>Jib length [ft]</b> | <b>36</b>              | <b>46</b> | <b>56</b> | <b>66</b> | <b>76</b> | <b>85</b> |

Actual lengths of boom sections are metric (e.g. 3 m, 6 m). The figures shown above are approximate conversions to feet.  
For main boom configuration please refer to the table on page 18.

# Load capacities with fixed jib 15°

Load capacities in 1000 lbs with 66 ft main boom

| Radius [ft] | Jib length [ft] |      |      |      |
|-------------|-----------------|------|------|------|
|             | 36              | 46   | 66   | 85   |
| 18.6        | 79.1            |      |      |      |
| 30          | 79.1            | 79.1 |      |      |
| 40          | 79.1            | 69.6 | 52.8 | 42.7 |
| 55          | 76.2            | 57.3 | 43.6 | 35.4 |
| 65          | 69.6            | 56.2 | 38.7 | 31.8 |
| 75          | 57.6            | 53.8 | 37.2 | 28.5 |
| 85          | 48.9            | 49.4 | 36.8 | 26.9 |
| 95          | 42.1            | 42.6 | 34.3 | 26.6 |
| 100         | 39.3            | 39.8 | 32.8 | 26.6 |
| 110         |                 | 34.8 | 30.3 | 25.7 |
| 125         |                 |      | 27.4 | 22.9 |
| 145         |                 |      |      | 20.1 |

137,400 lbs rear counterweight and 44,100 lbs carbody counterweight

Load capacities in 1000 lbs with 132 ft main boom

| Radius [ft] | Jib length [ft] |      |      |      |
|-------------|-----------------|------|------|------|
|             | 36              | 46   | 66   | 85   |
| 20.9        | 79.1            |      |      |      |
| 30          | 79.1            | 79.1 |      |      |
| 40          | 79.1            | 76.9 | 67.2 |      |
| 50          | 79.1            | 73.3 | 62.6 | 45.5 |
| 70          | 61.5            | 62.0 | 52.8 | 40.0 |
| 90          | 43.7            | 44.1 | 44.9 | 34.7 |
| 110         | 32.9            | 33.2 | 33.9 | 30.2 |
| 130         | 25.6            | 25.9 | 26.5 | 26.6 |
| 155         | 19.2            | 19.5 | 20.1 | 20.5 |
| 165         |                 | 17.5 | 18.1 | 18.5 |
| 185         |                 |      | 14.7 | 15.1 |
| 205         |                 |      |      | 12.3 |

137,400 lbs rear counterweight and 44,100 lbs carbody counterweight

Load capacities in 1000 lbs with 171 ft main boom

| Radius [ft] | Jib length [ft] |      |      |      |
|-------------|-----------------|------|------|------|
|             | 36              | 46   | 66   | 85   |
| 22.3        | 79.1            |      |      |      |
| 30          | 79.1            | 75.7 |      |      |
| 40          | 79.1            | 74.2 | 60.5 |      |
| 50          | 79.1            | 71.8 | 58.0 | 42.8 |
| 75          | 55.0            | 55.5 | 49.4 | 38.5 |
| 105         | 34.0            | 34.4 | 35.2 | 32.7 |
| 135         | 23.0            | 23.3 | 24.0 | 24.5 |
| 165         | 16.2            | 16.5 | 17.0 | 17.4 |
| 190         | 12.2            | 12.4 | 12.9 | 13.3 |
| 200         |                 | 11.1 | 11.5 | 11.9 |
| 220         |                 |      | 9.2  | 9.6  |
| 240         |                 |      |      | 7.6  |

137,400 lbs rear counterweight and 44,100 lbs carbody counterweight

Load capacities in 1000 lbs with 200 ft main boom

| Radius [ft] | Jib length [ft] |      |      |      |
|-------------|-----------------|------|------|------|
|             | 36              | 46   | 66   | 85   |
| 23.3        | 79.1            |      |      |      |
| 30          | 79.1            | 71.3 |      |      |
| 40          | 77.5            | 69.3 | 53.7 |      |
| 50          | 74.8            | 66.5 | 52.3 | 39.7 |
| 85          | 45.5            | 46.0 | 43.8 | 35.0 |
| 115         | 28.9            | 29.2 | 30.0 | 30.6 |
| 150         | 18.4            | 18.7 | 19.3 | 19.8 |
| 185         | 12.1            | 12.3 | 12.8 | 13.2 |
| 215         | 8.3             | 8.5  | 8.9  | 9.3  |
| 225         |                 | 7.4  | 7.9  | 8.2  |
| 245         |                 |      | 6.0  | 6.3  |
| 265         |                 |      |      | 4.7  |

137,400 lbs rear counterweight and 44,100 lbs carbody counterweight

Load capacities in 1000 lbs with 229 ft main boom

| Radius [ft] | Jib length [ft] |      |      |      |
|-------------|-----------------|------|------|------|
|             | 36              | 46   | 56   | 66   |
| 24.3        | 62.1            |      |      |      |
| 30          | 61.5            | 54.7 |      |      |
| 40          | 59.3            | 53.8 | 48.3 | 43.2 |
| 85          | 44.6            | 43.8 | 41.7 | 37.9 |
| 115         | 27.9            | 28.3 | 28.8 | 29.2 |
| 145         | 18.6            | 18.9 | 19.3 | 19.6 |
| 175         | 12.6            | 12.9 | 13.2 | 13.4 |
| 205         | 8.4             | 8.7  | 9.0  | 9.1  |
| 240         | 4.9             | 5.1  | 5.3  | 5.5  |
| 250         |                 | 4.2  | 4.5  | 4.6  |
| 260         |                 |      | 3.7  | 3.8  |
| 270         |                 |      |      | 3.1  |

137,400 lbs rear counterweight and 44,100 lbs carbody counterweight

TLT 11962422. Above load charts are for reference only. For actual lift duty please refer to load chart in operator's cabin or manual. Otherwise we recommend you to plan your lifting job using Crane Planner 2.0.



[www.liebherr.com/CranePlanner](http://www.liebherr.com/CranePlanner)

**Crane Planner 2.0**



# Load capacities with fixed jib 30°

Load capacities in 1000 lbs with 66 ft main boom

| Radius [ft] | Jib length [ft] |      |      |      |
|-------------|-----------------|------|------|------|
|             | 36              | 46   | 66   | 85   |
| 27.3        | 70.2            |      |      |      |
| 40          | 61.3            | 50.4 |      |      |
| 50          | 55.8            | 45.8 | 33.9 |      |
| 60          | 53.1            | 42.0 | 31.0 | 25.5 |
| 70          | 53.0            | 40.4 | 28.7 | 23.6 |
| 80          | 49.9            | 40.0 | 26.8 | 21.9 |
| 90          | 45.7            | 37.1 | 26.6 | 20.3 |
| 100         | 39.4            | 35.1 | 26.6 | 19.3 |
| 110         |                 | 33.8 | 24.9 | 18.9 |
| 120         |                 |      | 23.8 | 18.2 |
| 130         |                 |      | 23.0 | 17.2 |
| 150         |                 |      |      | 16.1 |

137,400 lbs rear counterweight and 44,100 lbs carbody counterweight

Load capacities in 1000 lbs with 132 ft main boom

| Radius [ft] | Jib length [ft] |      |      |      |
|-------------|-----------------|------|------|------|
|             | 36              | 46   | 66   | 85   |
| 29.7        | 79.1            |      |      |      |
| 40          | 79.1            | 64.7 |      |      |
| 50          | 74.0            | 61.3 | 42.2 |      |
| 60          | 68.5            | 56.5 | 38.9 | 28.4 |
| 80          | 52.3            | 50.4 | 33.9 | 26.6 |
| 100         | 38.3            | 38.9 | 30.1 | 23.5 |
| 120         | 29.3            | 29.8 | 27.3 | 21.2 |
| 140         | 23.0            | 23.5 | 24.3 | 19.2 |
| 160         | 18.3            | 18.7 | 19.5 | 17.7 |
| 170         |                 | 16.7 | 17.5 | 17.1 |
| 185         |                 |      | 14.8 | 15.5 |
| 205         |                 |      |      | 12.5 |

137,400 lbs rear counterweight and 44,100 lbs carbody counterweight

Load capacities in 1000 lbs with 171 ft main boom

| Radius [ft] | Jib length [ft] |      |      |      |
|-------------|-----------------|------|------|------|
|             | 36              | 46   | 66   | 85   |
| 31          | 78.4            |      |      |      |
| 40          | 77.9            | 63.3 |      |      |
| 50          | 72.2            | 60.1 | 40.6 |      |
| 65          | 65.8            | 54.7 | 38.1 | 28.2 |
| 90          | 43.5            | 44.2 | 33.3 | 24.4 |
| 115         | 30.3            | 30.8 | 29.5 | 22.3 |
| 140         | 22.1            | 22.5 | 23.4 | 20.4 |
| 165         | 16.5            | 16.8 | 17.6 | 18.2 |
| 190         | 12.3            | 12.6 | 13.3 | 13.9 |
| 200         |                 | 11.2 | 11.8 | 12.4 |
| 220         |                 |      | 9.3  | 9.9  |
| 240         |                 |      |      | 7.7  |

137,400 lbs rear counterweight and 44,100 lbs carbody counterweight

Load capacities in 1000 lbs with 200 ft main boom

| Radius [ft] | Jib length [ft] |      |      |      |
|-------------|-----------------|------|------|------|
|             | 36              | 46   | 66   | 85   |
| 32          | 71.4            |      |      |      |
| 40          | 69.6            | 58.9 |      |      |
| 55          | 64.1            | 54.3 | 40.3 |      |
| 65          | 60.6            | 52.3 | 37.9 | 27.8 |
| 100         | 36.7            | 37.4 | 32.1 | 23.4 |
| 130         | 24.2            | 24.7 | 25.8 | 20.9 |
| 160         | 16.7            | 17.1 | 17.9 | 18.6 |
| 190         | 11.6            | 11.9 | 12.6 | 13.2 |
| 215         | 8.4             | 8.6  | 9.3  | 9.8  |
| 225         |                 | 7.5  | 8.1  | 8.7  |
| 245         |                 |      | 6.1  | 6.6  |
| 265         |                 |      |      | 4.8  |

137,400 lbs rear counterweight and 44,100 lbs carbody counterweight

Load capacities in 1000 lbs with 229 ft main boom

| Radius [ft] | Jib length [ft] |      |      |      |
|-------------|-----------------|------|------|------|
|             | 36              | 46   | 56   | 66   |
| 33          | 56.3            |      |      |      |
| 40          | 56.3            | 49.6 |      |      |
| 50          | 54.8            | 48.5 | 42.5 |      |
| 55          | 53.6            | 47.5 | 42.1 | 37.1 |
| 95          | 38.9            | 39.5 | 35.7 | 31.6 |
| 130         | 23.4            | 23.9 | 24.5 | 25.0 |
| 165         | 14.8            | 15.2 | 15.7 | 16.1 |
| 200         | 9.3             | 9.6  | 10.0 | 10.3 |
| 240         | 5.0             | 5.2  | 5.6  | 5.8  |
| 250         |                 | 4.3  | 4.6  | 4.9  |
| 260         |                 |      | 3.8  | 4.0  |
| 270         |                 |      |      | 3.2  |

137,400 lbs rear counterweight and 44,100 lbs carbody counterweight

TLT 11962422. Above load charts are for reference only. For actual lift duty please refer to load chart in operator's cabin or manual. Otherwise we recommend you to plan your lifting job using Crane Planner 2.0.

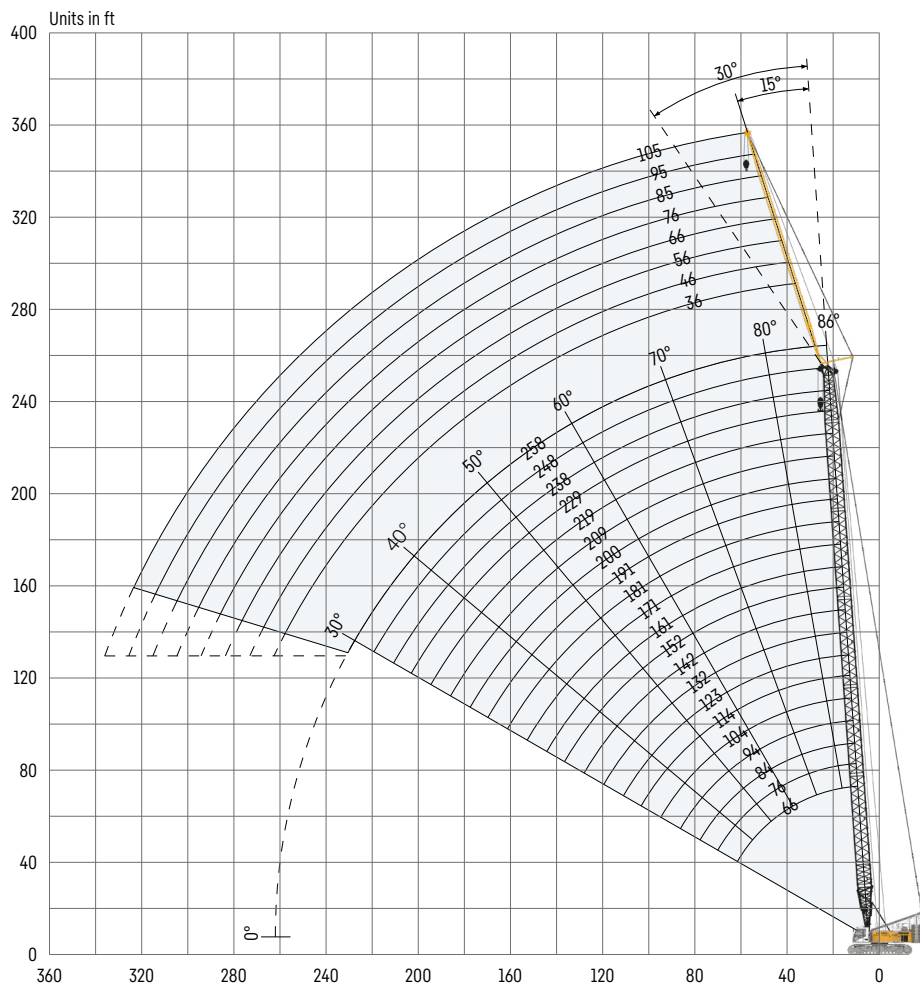


[www.liebherr.com/CranePlanner](http://www.liebherr.com/CranePlanner)

**Crane Planner 2.0**

# Fixed jib 0806.xx

## Jib lengths 36-105 ft



### Jib configuration 0806.xx

| Jib section            | Amount of jib sections |           |           |           |           |           |           |            |
|------------------------|------------------------|-----------|-----------|-----------|-----------|-----------|-----------|------------|
| Jib foot 18 ft         | 1                      | 1         | 1         | 1         | 1         | 1         | 1         | 1          |
| Jib section 10 ft      |                        | 1         |           | 1         |           | 1         |           | 1          |
| Jib section 20 ft      |                        |           | 1         | 1         | 2         | 2         | 3         | 3          |
| Jib head 18 ft         | 1                      | 1         | 1         | 1         | 1         | 1         | 1         | 1          |
| <b>Jib length [ft]</b> | <b>36</b>              | <b>46</b> | <b>56</b> | <b>66</b> | <b>76</b> | <b>85</b> | <b>95</b> | <b>105</b> |

Actual lengths of boom sections are metric (e.g. 3 m, 6 m). The figures shown above are approximate conversions to feet.  
For main boom configuration please refer to the table on page 18.

## Load capacities with fixed jib 15°

Load capacities in 1000 lbs with 66 ft main boom

| Radius [ft] | Jib length [ft] |      |      |      |
|-------------|-----------------|------|------|------|
|             | 36              | 66   | 85   | 105  |
| 25          | 48.5            |      |      |      |
| 40          | 43.9            | 23.0 | 16.9 |      |
| 50          | 41.5            | 21.5 | 15.8 | 11.7 |
| 60          | 38.9            | 20.1 | 14.8 | 10.9 |
| 75          | 36.2            | 18.4 | 13.7 | 9.9  |
| 90          | 33.5            | 17.3 | 12.8 | 9.1  |
| 100         | 31.6            | 16.8 | 12.3 | 8.6  |
| 110         |                 | 16.3 | 11.9 | 8.2  |
| 120         |                 | 15.8 | 11.5 | 7.8  |
| 130         |                 | 15.4 | 11.2 | 7.5  |
| 145         |                 |      | 11.0 | 7.1  |
| 165         |                 |      |      | 6.8  |

137,400 lbs rear counterweight and 44,100 lbs carbody counterweight

Load capacities in 1000 lbs with 132 ft main boom

| Radius [ft] | Jib length [ft] |      |      |      |
|-------------|-----------------|------|------|------|
|             | 36              | 66   | 85   | 105  |
| 21.6        | 46.1            |      |      |      |
| 40          | 43.9            | 22.9 |      |      |
| 50          | 42.4            | 22.0 | 15.5 |      |
| 55          | 41.7            | 21.5 | 15.1 | 10.9 |
| 70          | 40.0            | 20.4 | 14.3 | 10.3 |
| 90          | 38.4            | 19.0 | 13.3 | 9.4  |
| 110         | 34.3            | 17.7 | 12.6 | 8.7  |
| 130         | 27.0            | 16.7 | 11.9 | 8.1  |
| 155         | 20.7            | 16.2 | 11.3 | 7.5  |
| 185         |                 | 15.6 | 10.9 | 7.0  |
| 205         |                 |      | 10.8 | 6.8  |
| 225         |                 |      |      | 6.8  |

137,400 lbs rear counterweight and 44,100 lbs carbody counterweight

Load capacities in 1000 lbs with 191 ft main boom

| Radius [ft] | Jib length [ft] |      |      |     |
|-------------|-----------------|------|------|-----|
|             | 36              | 66   | 85   | 105 |
| 23.6        | 37.3            |      |      |     |
| 40          | 36.4            | 20.0 |      |     |
| 50          | 35.8            | 19.6 | 12.8 |     |
| 55          | 35.6            | 19.4 | 12.6 | 9.0 |
| 85          | 34.2            | 18.6 | 11.9 | 8.5 |
| 115         | 30.5            | 17.9 | 11.4 | 8.1 |
| 145         | 21.3            | 16.6 | 11.0 | 7.7 |
| 175         | 15.3            | 15.9 | 10.7 | 7.2 |
| 205         | 11.1            | 12.2 | 10.4 | 6.9 |
| 235         |                 | 8.9  | 9.5  | 6.6 |
| 255         |                 |      | 7.7  | 6.6 |
| 275         |                 |      |      | 6.6 |

137,400 lbs rear counterweight and 44,100 lbs carbody counterweight

Load capacities in 1000 lbs with 238 ft main boom

| Radius [ft] | Jib length [ft] |      |      |     |
|-------------|-----------------|------|------|-----|
|             | 36              | 66   | 85   | 105 |
| 25.3        | 31.6            |      |      |     |
| 40          | 30.5            | 15.9 |      |     |
| 55          | 29.7            | 15.8 | 10.5 | 7.4 |
| 80          | 28.6            | 15.6 | 10.2 | 7.3 |
| 115         | 26.2            | 15.2 | 9.9  | 7.1 |
| 150         | 18.7            | 15.0 | 9.6  | 6.8 |
| 185         | 12.4            | 13.5 | 9.4  | 6.6 |
| 220         | 8.1             | 9.1  | 8.6  | 6.4 |
| 245         | 5.8             | 6.7  | 7.3  | 6.4 |
| 275         |                 | 4.4  | 5.0  | 5.4 |
| 295         |                 |      | 3.6  | 4.1 |
| 315         |                 |      |      | 2.9 |

137,400 lbs rear counterweight and 44,100 lbs carbody counterweight

Load capacities in 1000 lbs with 258 ft main boom

| Radius [ft] | Jib length [ft] |      |      |      |
|-------------|-----------------|------|------|------|
|             | 36              | 56   | 66   | 76   |
| 26          | 27.0            |      |      |      |
| 40          | 26.8            | 16.7 | 14.1 |      |
| 50          | 26.4            | 16.4 | 14.0 | 11.4 |
| 85          | 24.6            | 15.8 | 13.5 | 11.0 |
| 120         | 22.8            | 15.4 | 13.2 | 10.8 |
| 155         | 17.0            | 15.0 | 12.9 | 10.6 |
| 190         | 11.0            | 11.8 | 12.1 | 10.5 |
| 225         | 7.0             | 7.7  | 8.0  | 8.1  |
| 265         | 3.6             | 4.3  | 4.5  | 4.8  |
| 285         |                 | 2.9  | 3.2  | 3.5  |
| 295         |                 |      | 2.5  | 2.8  |
| 305         |                 |      |      | 2.2  |

137,400 lbs rear counterweight and 44,100 lbs carbody counterweight

TLT 11962422. Above load charts are for reference only. For actual lift duty please refer to load chart in operator's cabin or manual. Otherwise we recommend you to plan your lifting job using Crane Planner 2.0.



[www.liebherr.com/CranePlanner](http://www.liebherr.com/CranePlanner)

**Crane Planner 2.0**

# Load capacities with fixed jib 30°

Load capacities in 1000 lbs with 66 ft main boom

| Radius [ft] | Jib length [ft] |      |      |     |
|-------------|-----------------|------|------|-----|
|             | 36              | 66   | 85   | 105 |
| 30          | 41.6            |      |      |     |
| 50          | 37.6            | 19.1 |      |     |
| 60          | 35.5            | 18.1 | 13.7 |     |
| 75          | 31.4            | 17.3 | 12.9 | 9.1 |
| 85          | 29.0            | 16.8 | 12.4 | 8.7 |
| 100         | 27.0            | 15.8 | 11.9 | 8.1 |
| 110         |                 | 15.2 | 11.6 | 7.7 |
| 120         |                 | 14.7 | 11.2 | 7.5 |
| 130         |                 | 14.2 | 10.7 | 7.2 |
| 140         |                 |      | 10.3 | 7.1 |
| 150         |                 |      | 10.2 | 6.9 |
| 170         |                 |      |      | 6.9 |

137,400 lbs rear counterweight and 44,100 lbs carbody counterweight

Load capacities in 1000 lbs with 132 ft main boom

| Radius [ft] | Jib length [ft] |      |      |     |
|-------------|-----------------|------|------|-----|
|             | 36              | 66   | 85   | 105 |
| 30.4        | 40.0            |      |      |     |
| 50          | 38.5            | 19.0 |      |     |
| 65          | 37.8            | 18.2 | 13.3 |     |
| 75          | 37.4            | 17.6 | 12.9 | 8.8 |
| 90          | 34.6            | 17.0 | 12.5 | 8.5 |
| 105         | 32.1            | 16.8 | 12.1 | 8.1 |
| 120         | 29.9            | 16.1 | 11.9 | 7.8 |
| 135         | 25.9            | 15.5 | 11.5 | 7.5 |
| 160         | 19.8            | 14.6 | 10.9 | 7.2 |
| 185         |                 | 14.2 | 10.3 | 7.0 |
| 205         |                 |      | 10.2 | 6.9 |
| 225         |                 |      |      | 6.9 |

137,400 lbs rear counterweight and 44,100 lbs carbody counterweight

Load capacities in 1000 lbs with 191 ft main boom

| Radius [ft] | Jib length [ft] |      |      |     |
|-------------|-----------------|------|------|-----|
|             | 36              | 66   | 85   | 105 |
| 32.4        | 34.3            |      |      |     |
| 55          | 33.8            | 17.9 |      |     |
| 65          | 33.6            | 17.6 | 11.8 |     |
| 80          | 33.4            | 17.2 | 11.6 | 8.2 |
| 105         | 32.3            | 16.6 | 11.4 | 7.9 |
| 130         | 25.9            | 16.0 | 11.3 | 7.6 |
| 155         | 19.4            | 15.5 | 11.2 | 7.3 |
| 180         | 14.8            | 15.1 | 11.0 | 7.1 |
| 210         | 10.6            | 11.9 | 10.4 | 7.0 |
| 240         |                 | 8.6  | 9.3  | 7.0 |
| 255         |                 |      | 7.9  | 7.0 |
| 275         |                 |      |      | 6.8 |

137,400 lbs rear counterweight and 44,100 lbs carbody counterweight

Load capacities in 1000 lbs with 238 ft main boom

| Radius [ft] | Jib length [ft] |      |      |     |
|-------------|-----------------|------|------|-----|
|             | 36              | 66   | 85   | 105 |
| 34.1        | 29.5            |      |      |     |
| 55          | 28.9            | 16.1 |      |     |
| 70          | 28.5            | 16.0 | 10.3 |     |
| 80          | 28.3            | 15.9 | 10.2 | 7.2 |
| 115         | 27.8            | 15.7 | 10.1 | 7.1 |
| 150         | 19.3            | 15.3 | 10.0 | 7.0 |
| 185         | 12.7            | 14.1 | 10.0 | 6.9 |
| 220         | 8.3             | 9.6  | 9.1  | 6.8 |
| 250         | 5.5             | 6.6  | 7.3  | 6.5 |
| 280         |                 | 4.2  | 4.8  | 5.5 |
| 300         |                 |      | 3.4  | 4.0 |
| 320         |                 |      |      | 2.7 |

137,400 lbs rear counterweight and 44,100 lbs carbody counterweight

Load capacities in 1000 lbs with 258 ft main boom

| Radius [ft] | Jib length [ft] |      |      |     |
|-------------|-----------------|------|------|-----|
|             | 36              | 56   | 66   | 76  |
| 34.8        | 26.2            |      |      |     |
| 50          | 25.5            | 16.4 |      |     |
| 65          | 25.1            | 16.3 | 11.5 |     |
| 70          | 25.0            | 16.2 | 11.5 | 9.3 |
| 115         | 24.0            | 16.0 | 11.5 | 9.2 |
| 155         | 17.6            | 15.2 | 11.3 | 9.2 |
| 195         | 10.7            | 11.7 | 11.3 | 9.1 |
| 230         | 6.7             | 7.6  | 8.4  | 8.0 |
| 265         | 3.7             | 4.5  | 5.2  | 5.5 |
| 285         |                 | 3.0  | 3.7  | 4.0 |
| 305         |                 |      | 2.3  | 2.6 |
| 310         |                 |      |      | 2.3 |

137,400 lbs rear counterweight and 44,100 lbs carbody counterweight

TLT 11962422. Above load charts are for reference only. For actual lift duty please refer to load chart in operator's cabin or manual. Otherwise we recommend you to plan your lifting job using Crane Planner 2.0.



[www.liebherr.com/CranePlanner](http://www.liebherr.com/CranePlanner)

**Crane Planner 2.0**



Download datasheet



Please contact us.

Liebherr-Werk Nenzing GmbH · Dr. Hans Liebherr Str. 1 · 6710 Nenzing, Austria  
Phone +43 50809 41-473 · [crawler.crane@liebherr.com](mailto:crawler.crane@liebherr.com) · [www.liebherr.com](http://www.liebherr.com)  
[facebook.com/LiebherrConstruction](https://facebook.com/LiebherrConstruction)

Liebherr USA, Co. · 7075 Bennington Street · Houston, TX 77028-5812  
Phone (713) 636-4050 · [crawler.cranes.usa@liebherr.com](mailto:crawler.cranes.usa@liebherr.com) · [www.liebherr.com](http://www.liebherr.com)  
[facebook.com/LiebherrConstruction](https://facebook.com/LiebherrConstruction)