



View thousands of Crane Specifications on FreeCraneSpecs.com

PK 10501

Performance

PALFINGER CRANE



THE IDEAL CRANE FOR MUNICIPAL DUTY





QUICK AND EFFICIENT

Max. lifting capacities

| PK 10501 Performance | | | |
|-------------------------|----------|---------|-----------|
| hydraulic | | | |
| Max. lifting capacities | | 5700 kg | 12570 lbs |
| Outreach | Capacity | | |
| 4.1 m | 13' 5" | 2470 kg | 5450 lbs |
| 5.6 m | 18' 4" | 1780 kg | 3924 lbs |

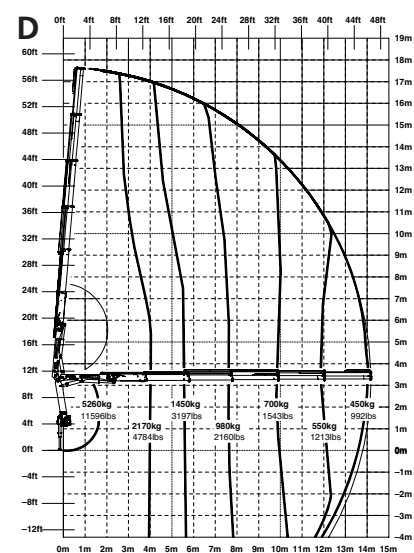
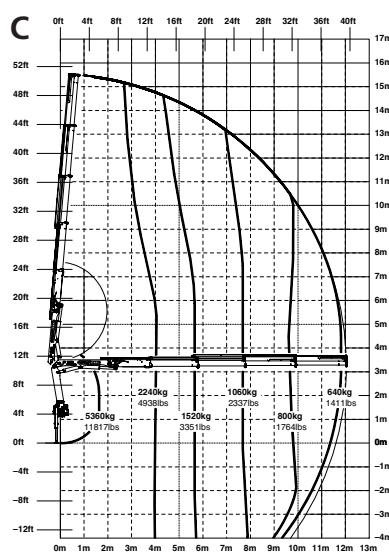
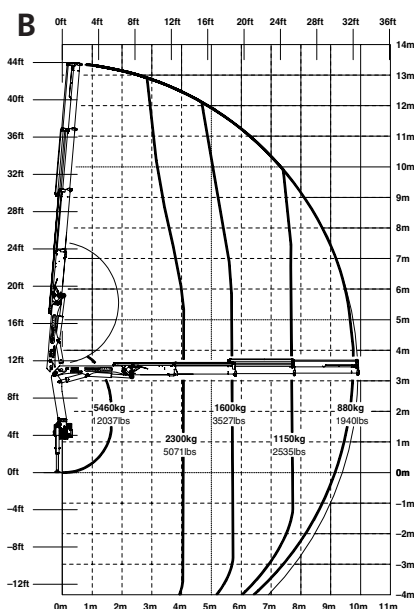
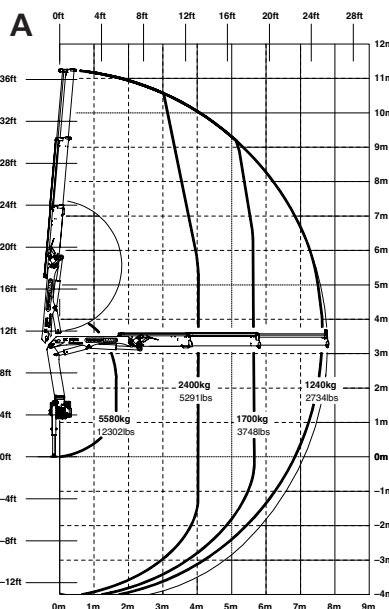
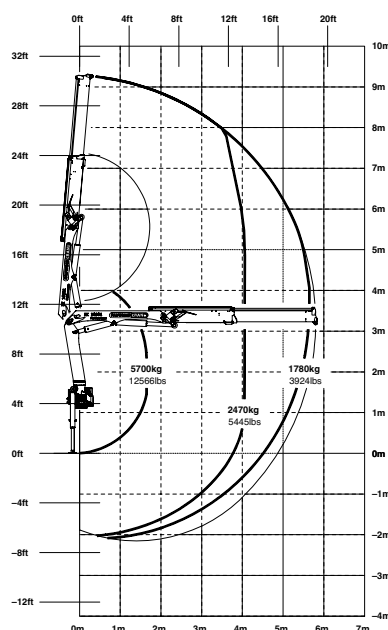
| PK 10501 A Performance | | | |
|-------------------------|----------|---------|-----------|
| hydraulic | | | |
| Max. lifting capacities | | 5580 kg | 12300 lbs |
| Outreach | Capacity | | |
| 4.1 m | 13' 5" | 2400 kg | 5290 lbs |
| 5.6 m | 18' 4" | 1700 kg | 3750 lbs |
| 7.6 m | 24' 11" | 1240 kg | 2730 lbs |

| PK 10501 B Performance | | | |
|-------------------------|----------|---------|-----------|
| hydraulic | | | |
| Max. lifting capacities | | 5460 kg | 12040 lbs |
| Outreach | Capacity | | |
| 4.1 m | 13' 5" | 2300 kg | 5070 lbs |
| 5.6 m | 18' 4" | 1600 kg | 3530 lbs |
| 7.6 m | 24' 11" | 1150 kg | 2540 lbs |
| 9.8 m | 32' 2" | 880 kg | 1940 lbs |
| manual | | | |
| 11.9 m | 39' 1" | 680 kg | 1500 lbs |
| 13.9 m | 45' 7" | 550 kg | 1210 lbs |
| 15.9 m | 52' 2" | 380 kg | 840 lbs |

| PK 10501 C Performance | | | |
|-------------------------|----------|---------|-----------|
| hydraulic | | | |
| Max. lifting capacities | | 5360 kg | 11820 lbs |
| Outreach | Capacity | | |
| 4.1 m | 13' 5" | 2240 kg | 4940 lbs |
| 5.6 m | 18' 4" | 1520 kg | 3350 lbs |
| 7.6 m | 24' 11" | 1060 kg | 2340 lbs |
| 9.8 m | 32' 2" | 800 kg | 1760 lbs |
| 11.9 m | 39' 1" | 640 kg | 1410 lbs |
| manual | | | |
| 13.9 m | 45' 7" | 510 kg | 1120 lbs |
| 15.9 m | 52' 2" | 380 kg | 840 lbs |

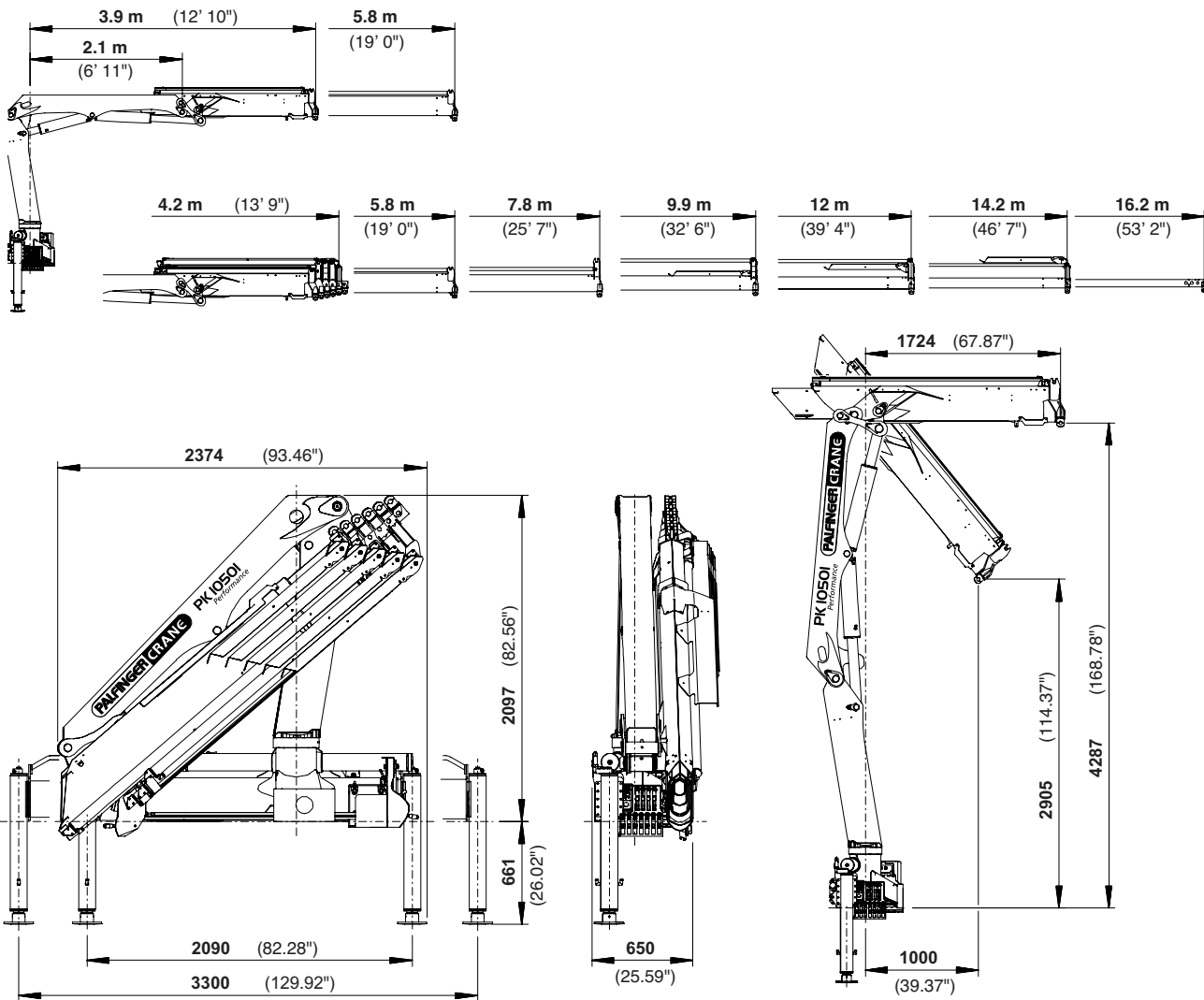
| PK 10501 D Performance | | | |
|-------------------------|----------|---------|-----------|
| hydraulic | | | |
| Max. lifting capacities | | 5260 kg | 11600 lbs |
| Outreach | Capacity | | |
| 4.1 m | 13' 5" | 2170 kg | 4780 lbs |
| 5.6 m | 18' 4" | 1450 kg | 3200 lbs |
| 7.6 m | 24' 11" | 980 kg | 2160 lbs |
| 9.8 m | 32' 2" | 700 kg | 1540 lbs |
| 11.9 m | 39' 1" | 550 kg | 1210 lbs |
| 14.0 m | 45' 11" | 450 kg | 990 lbs |
| manual | | | |
| 16.0 m | 52' 6" | 370 kg | 820 lbs |

PK 10501 Performance





ENDURANCE AND TOP PERFORMANCE



| PK 10501 Performance | | |
|--------------------------|------------------|--------------|
| Technical Specifications | | |
| Max. lifting moment | 10.1 mt/99.0 kNm | 72990 ft.lbs |
| Max. lifting capacity | 5700 kg/55.9 kN | 12570 lbs |
| Max. hydraulic outreach | 14.2 m | 46' 7" |
| Max. manual outreach | 16.2 m | 53' 2" |
| Slewing angle | 400 ° | |

| PK 10501 Performance | | |
|--|--|-------------|
| Standard crane | | |
| Slewing torque | 1.2 mt/11.8 kNm | 8700 ft.lbs |
| Outreach | 5.8 m | 19' 0" |
| Stabilizer spread standard | 3.3 m | 10' 9" |
| Stabilizer spread maximal | 5.6 m | 18' 4" |
| Fitting space required | 0.65 m | 2' 2" |
| Width folded | 2.4 m | 7' 9" |
| Max. operating pressure | 330 bar | 4785 psi |
| Recommended pump capacity with RC- and LS-system | from 45 l/min 9.9 imp.gal./min 11.9 US gal./min to 60 l/min 13.2 imp.gal./min 15.9 US gal./min | |
| Dead weight standard crane | 1064 kg | 2350 lbs |

Applications shown in the leaflet do not always correspond to the standard specifications. Design and specification are subject to change without prior notice.

