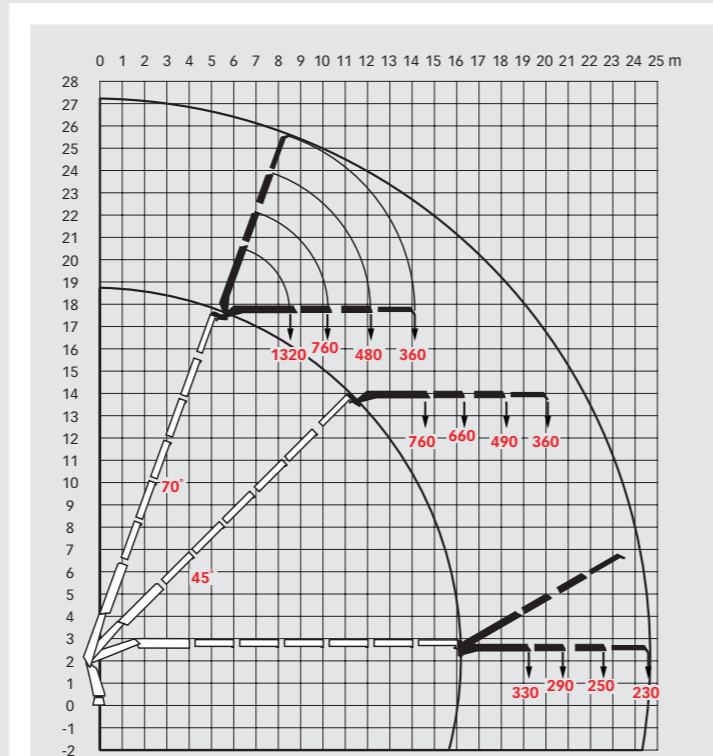
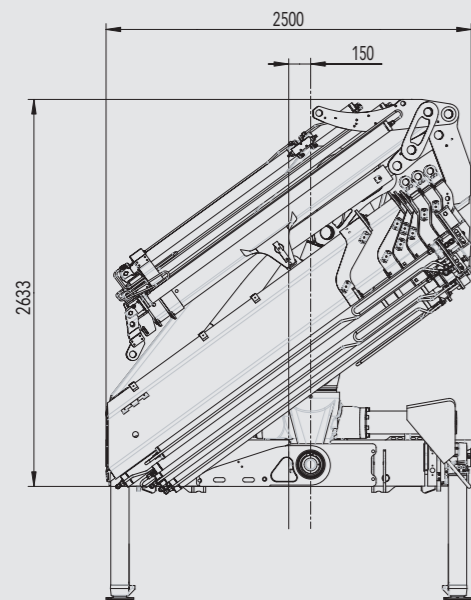
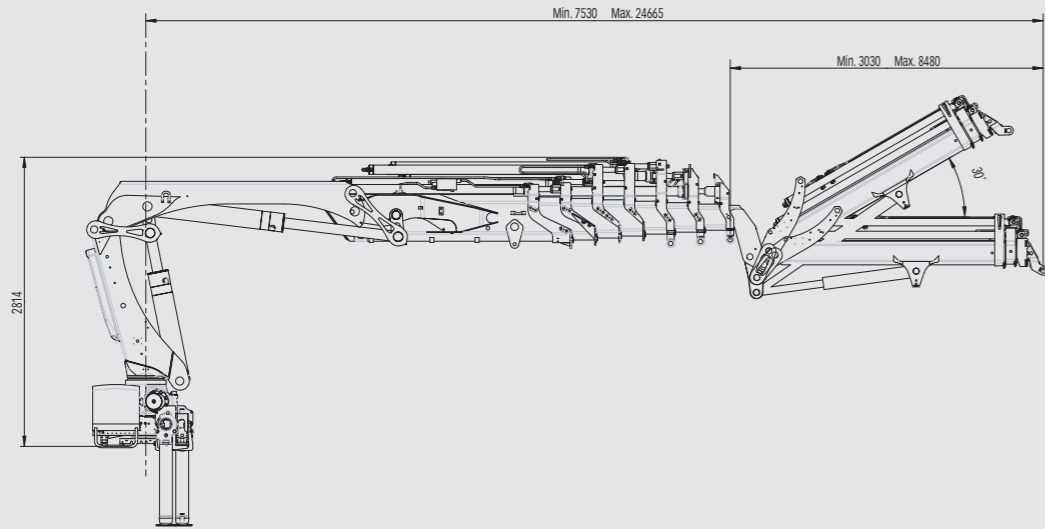
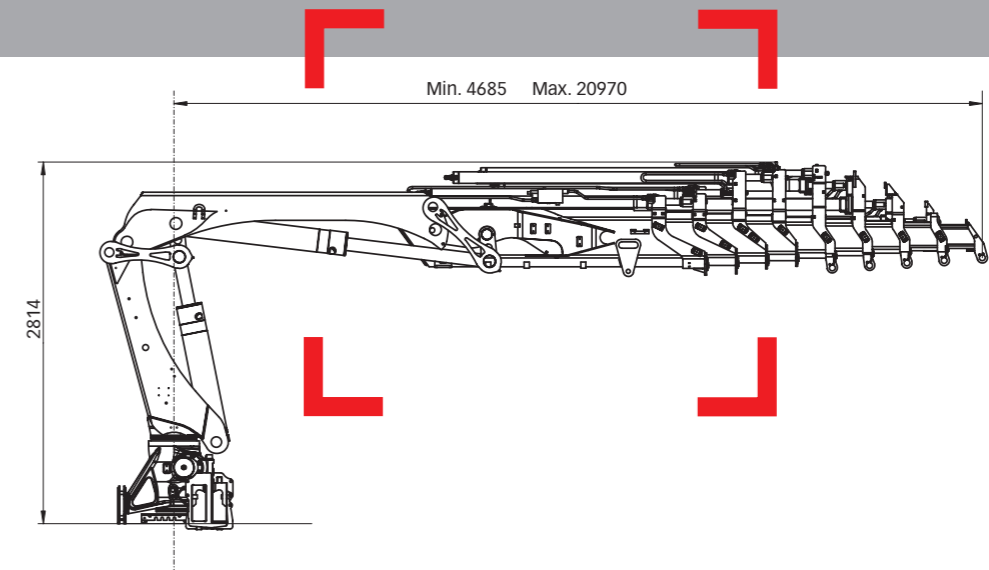


HIAB XS 244 Basic data

> HIAB XS 244 E-6 HiPro jib 45X-3



HIAB XS 244 Range 20-24 tm



Basic data

Disclaimer

Hiab cranes have been built to meet the highest standards of safety and service life and have been thoroughly tested. Strength calculations for this model have been carried out in accordance with EN13001. Hiab's certified Quality Assurance System complies with the ISO 9001. Some of the items in our literature may be extra equipment. Certain applications may require an official permit. We reserve the right to change technical specifications without prior notice. Hiab cranes produced for EU-countries are CE-marked and comply with the European Standard EN 12999.

BD-244-EN-EU/05/1006

www.hiab.com



