



FEATURES

- **110 tons (100 mt) max lift capacity**
- **230 ft. (70 m) max main boom length**
- **200+70 ft. (61+21 m) max lift crane boom & jib length**
- Power up/down and freefall on main and auxiliary drums
- 40,640 lbs. (18 435 kg) max single line pull, 565 fpm (172 mpm) max line speed
- Quiet, comfortable operator's cab with excellent viewing range
- Shockless stop system gradually retards operating speed to reduce shocks when crane approaches lifting load or boom limits
- Two speed travel allows operator to select the best speed and power control for any condition
- Superior transportability:
11 ft. (3.35 m) width
11 ft. 3 in. (3.43 m) height
- 99,400 lbs. (45 100 kg) transport weight including sideframes and boom inner. Transports with full boom and jib on only 4 trucks
- Hydraulic counterweight removal system simplifies installation and removal

THE ULTIMATE CRANE™

AMERICAN HC 110

Hydraulic Crawler Crane

Max. Lifting Capacity:
110 tons (80 mt)



Environmental operator's cab



Hydraulic removable counterweight system

230 ft. (70 m) MAXIMUM LIFT CRANE BOOM

- 59HI tubular chord boom, pin connected.
- 25 ft. (7.6 m) inner and outer and 10/20/40 ft. (3/6/12 m) available inserts provide boom compositions in 10 ft. (3 m) increments from 50 ft. (15.2 m) to 230 ft. (70 m).

ENVIRONMENTAL OPERATOR'S CAB

- Designed to provide excellent viewing range and quiet, comfortable operation.
- 37 in. (.91 m) wide cab has wide curved windows on both top and bottom.
- Easy-to-operate modular and ergonomically designed controls reduce operator fatigue and increase productivity.
- Load Moment Indicator with interactive screen features a shockless stop system. Operator can select from three display modes: loaded condition diagram, rated lifting curve, and rated lifting load table.
- Adjustable operator's seat, radio, air conditioner, overhead window, sun visor, fan, overhead and front wipers, and drum rotation indicators standard.

HEAVY DUTY CARBODY AND CRAWLERS

- Fabricated steel carbody is deep box constructed with square axles for the crawler side frames. Precision machined top supports anti-friction swing circle and multiple pass hydraulic swivel joint.

- Crawlers have high alloy steel tumbler yokes and rigid fabricated structures with built-in sealed automatic lubrication system.
- 36" (914 mm) crawler shoes.
- Travel mechanism is set within shoe width.
- Side frames extended or retracted by cylinders inside the carbody.
- Two travel speed settings – 0.60/0.87 mph (0.96/1.4 km/h).
- 30% (17°) gradeability.

POWERFUL, HIGH-SPEED HOIST SYSTEM

- Independent main and auxiliary load hoisting drums. Main drum is grooved for 1 in. (25 mm) diameter rope. Max line speed is 513 fpm (156 m/min), max single line pull is 40,640 lbs. (18 435 kg). Rated single line pull is 29,500 lbs. (13 381 kg). Auxiliary drum is grooved for 7/8 in. (22.4 mm) diameter rope. Max line speed is 553 fpm (168 m/min), max single line pull is 37,670 lbs. (17 086 kg). Rated single line pull is 22,700 lbs. (10 297 kg). Freefall on main and auxiliary drums.
- Each drum, including optional third, has power up/down. Load hoists are further controllable in stepless mode.
- Ample work space in front of drums allows easy access for cable installation and maintenance.
- External contracting brake.
- Internal expanding band clutch.
- 3.0 rpm swing speed.

HIGH CAPACITY, DEPENDABLE HYDRAULIC SYSTEM

- Open circuit system has 5 variable displacement piston pumps with system capacity of 183 gpm (692 lpm).
- Hydraulic reservoir with 79 gal. (300 l) capacity and 10 micron filtration.
- Component working range is between -4 and 203° F (-20 and 95° C).
- 230 HP (171 kW) @ 2000 RPM Cummins 6CTA 8.3 turbocharged diesel engine. Fuel tank capacity is 105 gal. (397 l).

FOUR PIECE REMOVABLE COUNTERWEIGHT

- Four piece pin connected counterweight can be assembled or disassembled easily within minutes.
- Hydraulic counterweight removal system is standard and makes the HC 110 one of the most transportable cranes in its class.
- Moves on four trucks with full boom and #9HL jib. At 17 ft. 0.5 in. (5.2 m) wide and 11 ft. (3.35 m) high, the basic HC 110 will transport on a standard lowboy trailer.

OPTIONS INCLUDE:

- Third drum.
- Automotive type lights.
- Hydraulic power take off.
- Jib and jib inserts.

For more information, product demonstration, or details on purchase, lease and rental plans, please contact your local Terex Cranes Distributor.

We reserve the right to amend these specifications at any time without notice. The only warranty applicable is our standard written warranty applicable to the particular product and sale. We make no other warranty, expressed or implied.

THE ULTIMATE CRANE™

TEREX | AMERICAN

WILMINGTON OPERATIONS
202 Raleigh Street
Wilmington, NC 28412 USA
(910) 395-8500 • FAX: (910) 395-8538
E-mail: american@american-crane.com

www.terex-cranes.com

LIFT RATINGS IN POUNDS

With 59HI Offset Tip Boom and 52,900 Pound Counterweight

Boom Length	Radius (Feet)	Boom Angle (Degrees)	Side Frames Extended (Pounds)	From Boom Pt. to Ground (Feet)	Boom Length	Radius (Feet)	Boom Angle (Degrees)	Side Frames Extended (Pounds)	From Boom Pt. to Ground (Feet)	Boom Length	Radius (Feet)	Boom Angle (Degrees)	Side Frames Extended (Pounds)	From Boom Pt. to Ground (Feet)
50' (15.2M)	13	79.9	220,000*	56	100' (con't)	80	40.6	18,220	71	150' (45.7M)	28	80.9	72,790	154
	15	77.6	190,080	55		90	30.6	15,530	57		30	80.1	65,870	154
	20	71.6	123,590	54		100	15.8	13,440	34		35	78.2	53,210	153
	25	65.4	87,980	52	110' (33.5M)	22	80.7	105,370	115		40	76.2	44,220	152
	30	58.9	67,950	49		25	79.1	86,910	114		50	72.2	32,560	149
	35	51.9	55,210	46		30	76.5	66,750	113		60	68.2	25,580	146
	40	44.1	46,320	41		35	73.8	54,060	112		70	64.0	20,650	141
50	22.7	34,800	26	40		71.0	45,100	110	80		59.6	17,080	136	
60' (18.3M)	14	80.7	203,570*	66		50	65.4	33,500	106		90	55.1	14,370	129
	15	79.7	189,950*	65		60	59.5	26,470	101		100	50.3	12,260	122
	20	74.8	123,410	64		70	53.2	21,560	94		110	45.1	10,560	113
	25	69.7	87,800	63	80	46.4	18,000	86	120		39.4	9,160	102	
	30	64.5	67,740	61	90	38.6	15,300	75	130		32.8	7,990	88	
	35	59.1	55,020	58	100	29.1	13,200	60	140		24.9	7,020	69	
	40	53.3	46,110	54	110	15.1	11,530	35	150		12.8	6,190	40	
70' (21.3M)	16	80.3	177,910*	75	120' (36.6M)	24	80.5	91,970	125	160' (48.8M)	30	80.7	65,640	164
	20	77.0	123,260	75		25	80.1	86,700	125		35	78.9	52,980	163
	25	72.8	87,640	73		30	77.6	66,510	124		40	77.1	43,980	162
	30	68.4	67,570	71		35	75.2	53,830	122		50	73.4	32,310	160
	35	63.9	54,860	69		40	72.7	44,860	121		60	69.6	25,340	156
	40	59.2	45,940	67		50	67.6	33,250	117		70	65.7	20,410	152
	50	49.0	34,380	59		60	62.3	26,230	113		80	61.7	16,830	147
	60	36.9	27,290	48		70	56.7	21,320	107		90	57.6	14,120	141
	70	19.0	22,410	29		80	50.8	17,750	99		100	53.2	12,000	134
	80' (24.4M)	17	80.8	162,150		85	90	44.3	15,060		90	110	48.6	10,300
20		78.7	123,050	85	100	36.9	12,950	78	120		43.6	8,900	117	
25		75.0	87,450	84	110	27.9	11,260	62	130		38.1	7,730	105	
30		71.2	67,340	82	120	14.4	9,880	36	140		31.8	6,750	91	
35		67.4	54,640	80	130' (39.6M)	25	80.8	86,510	135		150	24.0	5,910	72
40		63.4	45,710	78		30	78.6	66,320	134		160	12.4	5,200	41
50		55.0	34,140	72		35	76.3	53,640	133	170' (51.8M)	31	80.9	62,400	174
60		45.7	27,070	64		40	74.0	44,680	131		35	79.6	52,770	174
70	34.4	22,170	52	50		69.4	33,040	128	40		77.9	43,770	173	
80	17.7	18,640	31	60		64.6	26,030	124	50		74.4	32,090	170	
90' (27.4M)	19	80.6	133,760	95		70	59.6	21,110	118		60	70.8	25,130	167
	20	79.9	122,900	95		80	54.3	17,560	112		70	67.2	20,200	163
	25	76.7	87,300	94	90	48.6	14,850	104	80		63.5	16,620	159	
	30	73.4	67,190	93	100	42.4	12,740	94	90		59.7	13,910	153	
	35	70.0	54,480	91	110	35.4	11,040	82	100		55.7	11,780	147	
	40	66.6	45,540	89	120	26.7	9,660	65	110		51.5	10,080	139	
	50	59.4	33,960	84	130	13.8	8,510	37	120		47.0	8,670	131	
	60	51.6	26,900	77	140' (42.7M)	27	80.7	76,990	145		130	42.2	7,500	121
	70	42.9	22,010	68		30	79.4	66,090	144		140	36.9	6,510	108
	80	32.3	18,460	55		35	77.3	53,410	143		150	30.8	5,670	93
90	16.7	15,780	32	40		75.2	44,440	142	160		23.3	4,950	74	
100' (30.5M)	20	80.9	122,700	105		50	70.9	32,790	139	170	12.1	4,340	42	
	25	78.0	87,090	104		60	66.5	25,800	135	180' (54.9M)	33	80.8	57,130	184
	30	75.1	66,960	103		70	62.0	20,870	130		35	80.2	52,540	184
	35	72.1	54,260	102		80	57.2	17,300	124		40	78.6	43,540	183
	40	69.0	45,310	100	90	52.2	14,610	117	50		75.3	31,840	180	
	50	62.7	33,720	95	100	46.8	12,490	108	60		71.9	24,900	178	
	60	56.0	26,670	89	110	40.8	10,790	98	70		68.6	19,950	174	
	70	48.8	21,770	82	120	34.0	9,400	85	80		65.1	16,370	170	
					130	25.7	8,240	67	90		61.5	13,660	165	
					140	13.3	7,270	39	100		57.8	11,530	159	

LIFT RATINGS IN POUNDS (continued)

With 59HI Offset Tip Boom and 52,900 Pound Counterweight

Boom Length	Radius (Feet)	Boom Angle (Degrees)	Side Frames Extended (Pounds)	From Boom Pt. to Ground (Feet)	Boom Length	Radius (Feet)	Boom Angle (Degrees)	Side Frames Extended (Pounds)	From Boom Pt. to Ground (Feet)	Boom Length	Radius (Feet)	Boom Angle (Degrees)	Side Frames Extended (Pounds)	From Boom Pt. to Ground (Feet)
180' (con't)	110	54.0	9,820	152	200' (con't)	80	67.7	15,890	191	220' (67.1M)	39	80.9	36,510*	224
	120	49.9	8,420	144		90	64.6	13,170	187		40	80.7	36,220*	223
	130	45.6	7,240	135		100	61.4	11,040	182		50	78.0	30,880	222
	140	41.0	6,250	124		110	58.0	9,330	176		60	75.3	23,990	219
	150	35.8	5,410	112		120	54.6	7,920	169		70	72.6	19,020	216
	160	29.9	4,680	96		130	51.0	6,740	162		80	69.8	15,430	213
	170	22.6	4,040	76		140	47.2	5,750	153		90	67.1	12,700	209
	180	11.7	3,510	43		150	43.1	4,900	143		100	64.2	10,570	204
190' (57.9M)	34	81.0	52,570*	194	210' (64.0M)	38	80.8	41,580*	214	230' (70.1M)	41	80.8	31,890*	233
	35	80.7	52,320	194		40	80.2	40,870*	213		50	78.5	28,280*	232
	40	79.2	43,310	193		50	77.4	31,130	211		60	76.0	23,760	230
	50	76.1	31,610	191		60	74.6	24,220	209		70	73.4	18,790	227
	60	72.9	24,680	188		70	71.7	19,260	206		80	70.8	15,190	224
	70	69.7	19,720	185		80	68.8	15,670	202		90	68.1	12,470	220
	80	66.5	16,140	181		90	65.9	12,950	198		100	65.4	10,320	215
	90	63.2	13,420	176		100	62.9	10,820	193		110	62.6	8,600	211
	100	59.7	11,300	170		110	59.7	9,100	188		120	59.8	7,190	205
	110	56.2	9,580	164		120	56.5	7,690	182		130	56.8	6,010	199
	120	52.4	8,170	157		130	53.2	6,510	174		140	53.8	5,010	192
	130	48.5	7,000	149		140	49.7	5,520	166		150	50.6	4,150	184
140	44.3	6,010	139	150	46.0	4,660	157	160	47.3	3,410	175			
150	39.8	5,160	128	160	42.0	3,920	147	170	43.8	2,760	166			
160	34.8	4,420	115	170	37.8	3,270	135	180	40.1	2,190	154			
170	29.1	3,790	99	180	33.0	2,710	121	190	36.0	1,690	142			
180	22.0	3,230	78	190	27.6	2,220	104							
190	11.4	2,760	44	200	20.9	1,780	81							
200' (61.0M)	36	80.9	46,920*	204										
	40	79.7	43,070	203										
	50	76.8	31,360	201										
	60	73.8	24,440	198										
	70	70.8	19,480	195										

LIFT RATINGS IN POUNDS

With 59HI Offset Tip Boom, #9HL Jib and 52,900 Pound Counterweight

Boom and Jib Length	Jib Radius (Feet)	5.0 Deg Offset		15.0 Deg Offset		25.0 Deg Offset		Boom and Jib Length	Jib Radius (Feet)	5.0 Deg Offset		15.0 Deg Offset		25.0 Deg Offset	
		Boom Angle	Ratings (Pounds)	Boom Angle	Ratings (Pounds)	Boom Angle	Ratings (Pounds)			Boom Angle	Ratings (Pounds)	Boom Angle	Ratings (Pounds)	Boom Angle	Ratings (Pounds)
40' (12.2M) JIB & 100' (30.5M) BOOM	30	80.7	22,540*					40' (con't)	90	59.0	15,350	61.3	15,350	63.2	15,350
	35	78.6	22,540*						100	54.7	13,230	56.9	13,230	58.8	13,230
	40	76.6	22,510*	79.3	21,260*				110	50.2	11,530	52.3	11,530	54.2	11,530
	50	72.3	21,720*	75.0	20,730*	77.5	19,820*		120	45.3	10,120	47.4	10,120	49.1	10,130
	60	68.0	21,090*	70.7	20,190*	73.1	19,490*								
40' (12.2M) JIB & 130' (39.6M) BOOM	70	63.5	20,520*	66.1	19,780*	68.5	18,380*	40' (12.2M) JIB & 140' (42.7M) BOOM	34	81.0	22,500*				
	80	58.9	18,580	61.4	18,580	63.7	17,020*		35	80.6	22,500*				
	90	53.9	15,880	56.5	15,880	58.7	15,860*		40	78.9	22,500*				
	100	48.7	13,760	51.1	13,760	53.2	13,770		50	75.5	22,240*	77.7	21,010*	79.8	20,020*
										60	72.0	21,690*	74.2	20,530*	76.3
40' (12.2M) JIB & 120' (36.6M) BOOM	31	80.9	22,530*					40' (12.2M) JIB & 110' (33.5M) BOOM	70	68.5	21,100*	70.6	20,130*	72.6	19,390*
	35	79.4	22,530*						80	64.8	17,820	66.9	17,820	68.9	17,830
	40	77.5	22,530*	80.0	21,400*				90	61.0	15,120	63.1	15,120	65.0	15,120
	50	73.5	21,920*	76.0	20,830*	78.4	19,920*		100	57.1	13,000	59.2	13,000	61.0	13,000
	60	69.5	21,280*	72.0	20,370*	74.3	19,500*		110	52.9	11,290	55.0	11,290	56.8	11,290
40' (12.2M) JIB & 120' (36.6M) BOOM	70	65.4	20,780*	67.9	19,910*	70.1	18,850*	40' (12.2M) JIB & 110' (33.5M) BOOM	120	48.6	9,890	50.6	9,890	52.3	9,900
	80	61.1	18,320	63.6	18,330	65.7	17,510*		130	43.9	8,710	45.8	8,720	47.4	8,720
	90	56.7	15,620	59.1	15,620	61.2	15,630								
	100	52.0	13,500	54.3	13,500	56.3	13,510								
	110	46.9	11,800	49.2	11,800	51.1	11,800								
40' (12.2M) JIB & 120' (36.6M) BOOM	33	80.8	22,520*					40' (12.2M) JIB & 140' (42.7M) BOOM	36	80.8	22,490*				
	35	80.1	22,520*						40	79.6	22,490*				
	40	78.2	22,520*	80.6	21,460*				50	76.3	22,380*	78.4	21,090*	80.4	20,080*
	50	74.6	22,080*	76.9	20,940*	79.2	19,960*		60	73.0	21,830*	75.1	20,690*	77.1	19,760*
	60	70.9	21,520*	73.2	20,440*	75.4	19,580*		70	69.7	21,140	71.8	20,300*	73.7	19,410*
40' (12.2M) JIB & 120' (36.6M) BOOM	70	67.0	20,980*	69.3	20,010*	71.5	19,290*	40' (12.2M) JIB & 140' (42.7M) BOOM	80	66.3	17,560	68.3	17,560	70.2	17,560
	80	63.1	18,060	65.4	18,060	67.4	17,960*		90	62.8	14,850	64.8	14,850	66.6	14,860
									100	59.1	12,730	61.1	12,730	62.9	12,740
									110	55.3	11,020	57.3	11,020	59.0	11,030
									120	51.3	9,610	53.3	9,610	54.9	9,620

LIFT RATINGS IN POUNDS (continued)

With 59HI Offset Tip Boom, #9HL Jib and 52,900 Pound Counterweight

Boom and Jib Length	Jib Radius (Feet)	5.0 Deg Offset		15.0 Deg Offset		25.0 Deg Offset	
		Boom Angle	Ratings (Pounds)	Boom Angle	Ratings (Pounds)	Boom Angle	Ratings (Pounds)
60' (18.3M) JIB & 200' (61.0M) BOOM	50	80.9	14,980*				
	60	78.7	14,550*	80.9	12,900*		
	70	76.5	14,130*	78.7	12,670*	80.7	11,330*
	80	74.2	13,770*	76.4	12,410*	78.4	11,260*
	90	71.9	13,380*	74.1	12,090*	76.1	10,980*
	100	69.6	11,380	71.7	11,390	73.7	10,710*
	110	67.2	9,660	69.3	9,660	71.3	9,670
	120	64.8	8,250	66.9	8,250	68.8	8,250
	130	62.3	7,070	64.4	7,080	66.3	7,080
	140	59.8	6,070	61.8	6,070	63.7	6,080
	150	57.2	5,210	59.2	5,210	61.0	5,220
	160	54.5	4,460	56.5	4,460	58.3	4,470
	170	51.7	3,810	53.7	3,820	55.4	3,820
180	48.8	3,240	50.8	3,240	52.5	3,240	
190	45.8	2,730	47.7	2,730	49.3	2,740	
200	42.6	2,270	44.5	2,280	46.0	2,280	
70' (21.3M) JIB & 180' (54.9M) BOOM	50	80.8	11,870*				
	60	78.5	11,420*				
	70	76.1	11,000*	78.8	9,560*		
	80	73.7	10,530*	76.4	9,190*	78.9	8,190*
	90	71.3	10,060*	74.0	8,820*	76.4	7,940*
	100	68.9	9,600*	71.5	8,520*	73.9	7,710*
	110	66.4	9,220*	69.0	8,240*	71.4	7,470*
	120	63.9	8,830	66.4	7,980*	68.8	7,290*
	130	61.3	7,650	63.8	7,650	66.1	7,140*
	140	58.6	6,650	61.1	6,650	63.4	6,660
	150	55.9	5,800	58.4	5,800	60.6	5,810
	160	53.0	5,050	55.5	5,050	57.6	5,060
	170	50.0	4,400	52.5	4,400	54.6	4,410
180	46.9	3,820	49.4	3,830	51.4	3,830	

Boom and Jib Length	Jib Radius (Feet)	5.0 Deg Offset		15.0 Deg Offset		25.0 Deg Offset	
		Boom Angle	Ratings (Pounds)	Boom Angle	Ratings (Pounds)	Boom Angle	Ratings (Pounds)
70' (21.3M) JIB & 200' (61.0M) BOOM	51	80.9	11,850*				
	60	78.9	11,460*				
	70	76.7	11,060*	79.2	9,620*		
	80	74.4	10,680*	76.9	9,240*	79.3	8,200*
	90	72.1	10,180*	74.6	8,900*	77.0	7,980*
	100	69.7	9,740*	72.3	8,590*	74.6	7,750*
	110	67.4	9,360*	69.9	8,320*	72.2	7,520*
	120	65.0	8,580	67.4	8,040*	69.7	7,340*
	130	62.5	7,400	64.9	7,410	67.2	7,180*
	140	60.0	6,400	62.4	6,410	64.6	6,410
	150	57.4	5,540	59.8	5,540	61.9	5,550
	160	54.7	4,800	57.1	4,800	59.2	4,810
	170	51.9	4,140	54.3	4,150	56.3	4,150
180	49.0	3,580	51.3	3,580	53.3	3,580	
190	46.0	3,060	48.3	3,060	50.2	3,070	
70' (21.3M) JIB & 200' (61.0M) BOOM	53	80.8	11,790*				
	60	79.3	11,490*				
	70	77.2	11,110*	79.6	9,660*		
	80	75.0	10,720*	77.4	9,310*	79.7	8,230*
	90	72.8	10,290*	75.2	8,980*	77.5	8,010*
	100	70.5	9,860*	73.0	8,670*	75.2	7,790*
	110	68.3	9,470*	70.7	8,380*	72.9	7,580*
	120	65.9	8,320	68.3	8,130*	70.5	7,380*
	130	63.6	7,140	66.0	7,140	68.1	7,150
	140	61.2	6,140	63.5	6,140	65.7	6,140
	150	58.7	5,270	61.1	5,280	63.1	5,280
	160	56.2	4,530	58.5	4,540	60.5	4,540
	170	53.6	3,870	55.9	3,880	57.8	3,880
180	50.8	3,310	53.1	3,310	55.0	3,320	
190	48.0	2,790	50.3	2,790	52.1	2,800	
200	45.0	2,340	47.3	2,350	49.0	2,350	

JIB COMPOSITION CHART

#9HL Jib Composition

Jib Length Feet	20' Inner	10' Center	20' Outer	20' Outer
40	1	0	0	1
50	1	1	0	1
60	1	0	1	1
70	1	1	1	1

MAXIMUM BOOM & JIB SELF-ERECTION DATA

#9HL JIB	Over The End		Over The Side (with Extenders in place)	
	Boom Length Ft.	Jib Length Ft.	Boom Length Ft.	Jib Length Ft.
	230	0	-	-
220	0	220	0	
210	20	210	0	
200	40	200	50	

LOAD HOISTING INFORMATION

7/8" Diameter EIPS Wire Rope		
Maximum Lifting Capacity (Pounds)	Minimum Parts of Line	Maximum Auxiliary Hoisting Distance (Feet)
181,900	8	78
159,200	7	89
136,450	6	104
113,700	5	125
90,950	4	156
68,200	3	208
45,450	2	313
22,700	1	626

1" Diameter EIPS Wire Rope		
Maximum Lifting Capacity (Pounds)	Minimum Parts of Line	Maximum Main Hoisting Distance (Feet)
220,000	8	130
206,800	7	148
177,250	6	173
147,700	5	208
118,150	4	260
88,600	3	346
59,050	2	520
29,500	1	1,040

BOOM COMPOSITION CHART

Boom Length Feet	Boom Sections				
	25' 59HI Inner	10' 59H Center	20' 59H Center	40' 59H Center	25' 59HI Outer
50	1	0	0	0	1
60	1	1	0	0	1
70	1	0	1	0	1
80	1	1	1	0	1
90	1	0	0	1	1
100	1	1	0	1	1
110	1	0	1	1	1
120	1	1	1	1	1
130	1	0	0	2	1
140	1	1	0	2	1
150	1	0	1	2	1
160	1	1	1	2	1
170	1	0	0	3	1
180	1	1	0	3	1
190	1	0	1	3	1
200	1	1	1	3	1
210	1	0	0	4	1
220	1	1	0	4	1
230	1	0	1	4	1

HOIST DRUM PERFORMANCE

THIRD DRUM – 3/4" Diameter Rope			
Rope Layer	Line Speed (Feet per Minute)	Single Line Pull	Total Rope Length
1st*	225	18,000	108
2nd*	245	17,222	224
3rd*	262	16,094	348
4th*	279	15,104	480
5th*	296	14,230	620
6th**	314	N/A	769
7th**	331	N/A	925

6 x 25 RRL, EIPS, IWRC, 58,800# MBS; Part No. 809387

AUXILIARY DRUM – 7/8" Diameter Rope					
Rope Layer	High Range		Low Range		Total Rope Length
	Line Speed (Feet per Minute)	Single Line Pull	Line Speed (Feet per Minute)	Single Line Pull	
1st*	348	26,140	241	37,670	64
2nd*	377	24,100	262	34,720	128
3rd*	407	22,360	282	32,210	204
4th*	433	20,860	303	30,040	278
5th*	466	19,540	323	28,150	364
6th*	495	18,380	343	26,450	449
7th*	524	17,350	364	24,990	545
8th*	553	16,430	384	23,670	640
9th**	583	15,600	404	22,450	747
10th**	612	14,850	425	21,400	852

**Single Line Pull reflects the maximum hydraulic capacity of the hoist unit at the given layer and range setting. The allowable single line pull may be limited by the strength of the hoist rope. See load hoisting table for rope limitations.

MAIN HOIST – 1" Diameter Rope					
Rope Layer	High Range		Low Range		Total Rope Length
	Line Speed (Feet per Minute)	Single Line Pull	Line Speed (Feet per Minute)	Single Line Pull	
1st*	322	28,210	224	40,640	105
2nd*	350	26,010	243	37,470	212
3rd*	377	24,130	261	34,760	335
4th*	404	22,500	281	32,420	459
5th*	431	21,080	299	30,370	599
6th*	459	19,830	318	28,570	741
7th*	486	18,720	337	26,960	898
8th*	513	17,720	357	25,530	1,056
9th**	540	16,830	375	24,240	1,232
10th**	568	16,020	394	23,080	1,407

* = Working Layers • ** = Storage Layers

SPECIFICATIONS

Swing Speed	3.00 RPM
Travel Speed87 MPH High Range
.....	0.6 MPH Low Range
Gradeability	30% (approximately 17°)

CRANE RATING DATA

⚠ WARNING This rating chart is invalid if the crane has been modified or altered by use of other than **GENUINE AMERICAN PARTS** as such modifications or alterations may affect its capacity or safe operation. See American Crane Cooperation Service Bulletin #259.

The ratings in this chart are for planning purposes only. Only those ratings specifically assigned to a crane and mounted in the operator's cab or in the Operator's Manual should be used for actual operation.

Ratings in this chart are in POUNDS and do not exceed the percentage of tipping specified for this crane by ANSI B30.5. All ratings require that the crane be standing level on a firm uniformly supporting surface.

Do not lift loads in excess of those shown on this chart. Lifting loads in excess of those shown or operation not in accordance with good operating practice, including limitations shown on page 3499 of Operator's Manual, can cause tipping, structural damage or catastrophic failure.

Asterisk (*) areas on this chart indicate ratings which are limited by strength of material or factors other than stability (tipping).

RADIUS IN FEET is the horizontal distance at ground level from the crane centerline of rotation to a vertical line through the center of gravity of the suspended load.

When using the main boom fall with jib in place, the main fall ratings must be reduced by the jib effective weight shown on the jib rating chart plus twice the weight of all suspended blocks, slings, rope, etc., at the jib fall.

Blocks, slings, buckets and other load carrying devices are considered part of the load. The weight of standard hoisting ropes for the rating at a given radius has been calculated as part of the boom point load and need not be considered in determining net allowable loads.

Ratings shown on this chart make no allowance for such factors as out of plumb loads, wind, poor soil conditions, improper inflation of rubber tires and dynamic effects due to excessive operating speeds. The user (operator) must exercise judgement to make allowance for these conditions. See page 3499 of Operator's Manual for detailed information.

No account is taken of the wind force on the load. This effect, which can be substantial for loads with large surface areas, must be considered by the user. In any wind it is strongly recommended that taglines be used to control the load.

BOOM HOIST LINE is 12 parts of 3/4 inch diameter IPS wire rope with a minimum breaking strength of 51,200 pounds.

PENDANT SUSPENSION LINE is 2 parts of 1-3/8 inch diameter EEIPS wire rope with a minimum breaking strength of 211,000 pounds.

JIB BACKSTAY AND FRONTSTAY LINES are 2 parts of 0.875 inch diameter IPS wire rope with a minimum breaking strength of 69,200 pounds.

MAIN LOAD LINE is 1.000 inch diameter EIPS wire rope with a minimum breaking strength of 103,400 pounds.

WHIP LINE is 7/8 inch diameter EIPS wire rope with a minimum breaking strength of 79,600 pounds.

ERECTION

Erection "OVER THE END" is with the boom over the idler end with idler tumblers blocked (See operator's manual for blocking instructions). Erection "OVER THE SIDE" is with the boom 90° to the sideframes and with the side frames extended. Blocks, slings and other carrying devices must be on the ground during erection.

LOADS FOR TRANSPORT – HC110 Machine with 200ft 59”H Boom & 70 ft Jib

Loads required as follows (weights shown do not include blocking or tie-down material):

Load No. 1 – Step Deck

2x Crawler Side Frame Counterweights (11,500 lbs each)	23,000
1x 40ft Boom Center Section with Pendants	2,670
1x 20ft Jib Inner	890
1x Upper Counterweight	4,400

Total Load 30,960

Load No. 2 – Step Deck

Middle Portion of Counterweight	12,100
1x 40ft Boom Center Section	2,670
1x 20ft Jib Inner	480
1x Upper Counterweight	4,400

Total Load 19,650

Load No. 3 – Step Deck

Lower Portion of Counterweight	32,000
1x 25ft Boom Outer Section	4,200
1x 20ft Boom Center Section with Pendants	1,975
Main Load Block	1,500
Overhaul Ball	650

Total Load 40,325

Load No. 4 – Step Deck

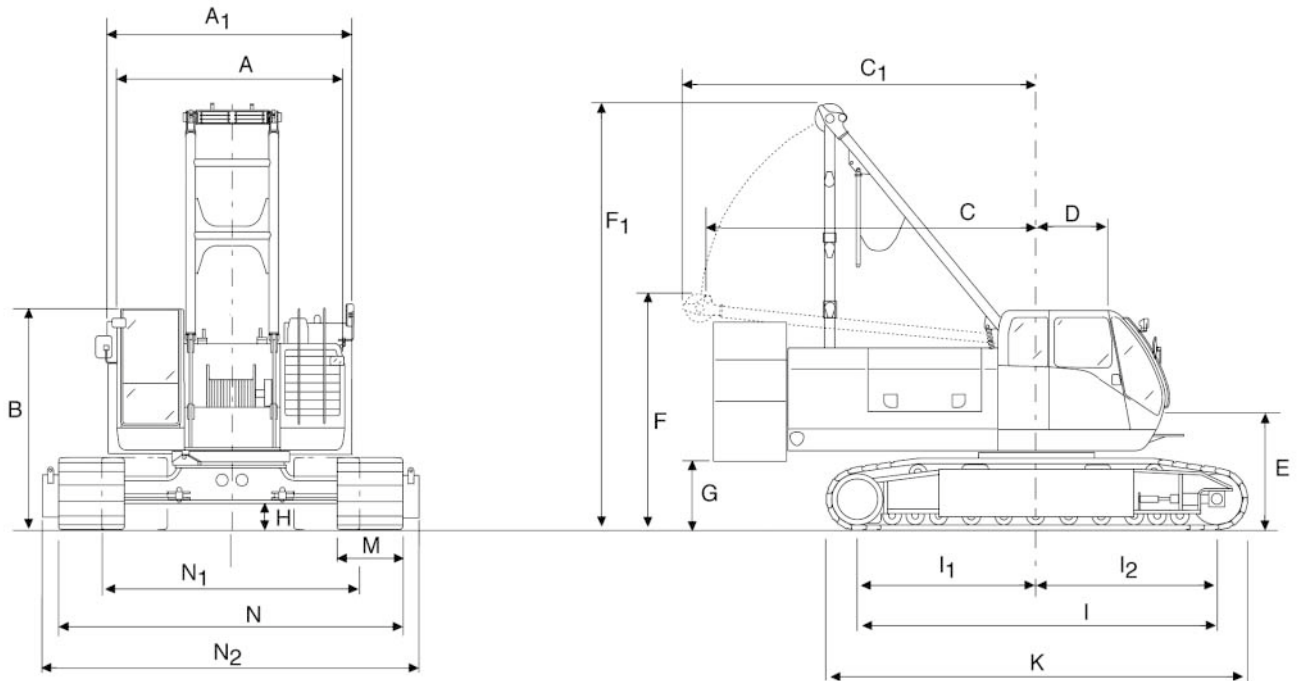
1x 10ft Boom Center Section	1,060
1x 40ft Boom Center Sections	2,670
10ft Jib Center Section	190
20ft Jib Center Section	385

Total Load 4,305

Load No. 5 – Basic Crane

- a. Complete Upper Structure
- b. Carbody & Sideframes
- c. Retractable A-Frame
- d. Boom Inner Section and Boom Stops
- e. Third Drum

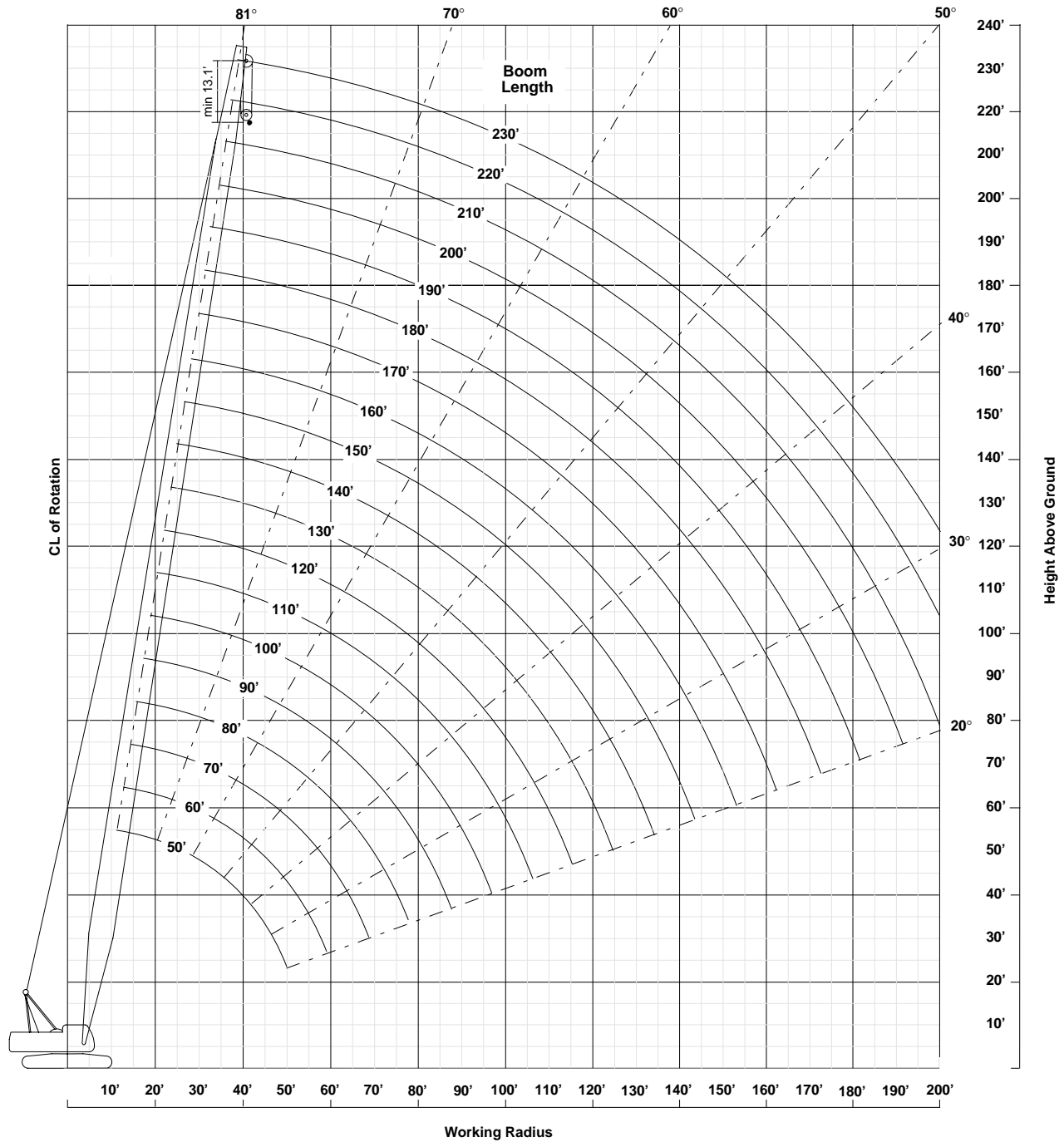
Total Weight of Basic Crane, Etc. 105,000 Lbs.



	FT	MM		FT	MM		
A	Width of machinery cab	11'-5/8"	3,369	I	Center to center of crawler tumbler	17'-11"	5,461
A ₁	Width of counterweight	11'-9 3/4"	3,423	I ₁	Center of drive tumbler to center of rotation	8'-11 1/2"	2,731
B	Height over operator's cab	11'-0"	3,353	I ₂	Center of idler tumbler to center of rotation	8'-11 1/2"	2,731
C	Tail swing	16'-4 7/8"	5,001	K	Overall length of crawlers	20'-10 3/4"	6,370
C ₁	Center rotation to end of A-frame lowered	17'-5 7/8"	5,331	M	Width of tread shoe (standard)	36"	915
D	Center rotation to boom foot	3'-7 1/4"	1,100	N	Overall width of crawlers, Shoes Extended (Type A) ...	16'-2 5/8"	4,943
E	Ground to center of boom foot	6'-4 1/2"	1,943		Overall width of crawlers, Shoes Extended (Type B)	17'-1/2"	5,195
F	Height over A-Frame lowered	11'-5 5/8"	3,496	N ₁	Shoes Retracted	11'-9 3/4"	3,600
F ₁	Height over A-Frame raised	21'-9 1/8"	6,633	N ₂	Width over sideframe counterweights extended		
G	Ground to bottom of counterweight	3'-9"	1,143		Type A	17'-9 5/8"	5,655
H	Minimum ground clearance	1'-5"	432		Type B	18'-7 3/8"	5,675

AMERICAN MODEL HC 110 WORKING RANGES WITH 59HI BOOM

HC110 RANGE DIAGRAM 59HI BOOM



For more information, product demonstration, or details on sales, lease and rental plans, please contact your local Terex American Crane Distributor.

We reserve the right to amend these specifications at any time without notice. The only warranty applicable is our standard written warranty applicable to the particular product and sale. We make no other warranty, expressed or implied.

THE ULTIMATE CRANE™

TEREX | AMERICAN

Terex Cranes Wilmington Operations

Mobile hydraulic and lattice-boom cranes

202 Raleigh St. · Wilmington, NC 28412 USA

Phone +1 910 395 8500 · Fax +1 910 395 8538

Email: american@american-crane.com