

LET'S MAKE ZERO-EMISSION REAL

RentalMatch Green Power

Dealer and Maintenance partner of:
JMG Cranes North Europe

Sales & Service Office

Ecologieweg 16

3433 LM Hendrik-Ido-Ambacht - Netherlands

t +31 651855113

t +31 613214166

e info@rentalmatch.eu

Production Plant

Via Sito Nuovo 14

29010 Sarmato (PC) - Italy



www.RentalMatch.eu

**ELECTRIC
PICK & CARRY
CRANES**



LIGE 120 (metric)

Max Capacity 12.000 kg

LIGE
SINCE 1945 By JMG

ELECTRIC POWERED WITH ZERO EMISSIONS

8 WORKING HOURS

WIDE AND ERGONOMIC CABIN

FRONT WHEELS DRIVE WITH COUNTER ROTATION

COMPACTNESS AND AGILITY

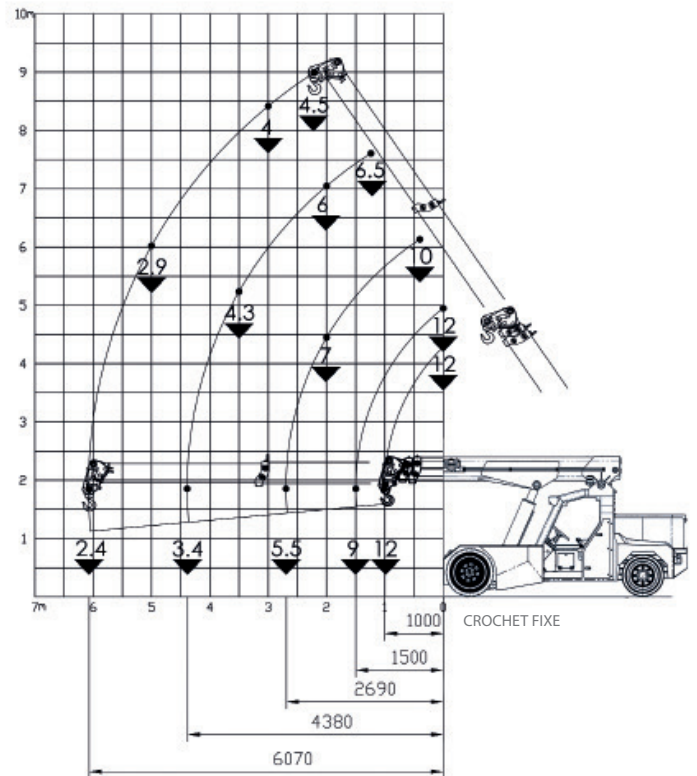
REAR STEERING

Optionals:

- HYDRAULIC WINCH
- BENDABLE MANUAL JIB WITH MANUAL EXTENSION
- HYDRAULIC JIB
- HYDRAULIC FORK
- NON-MARKING TIRES
- ATEX CONVERSIONS



Load charts

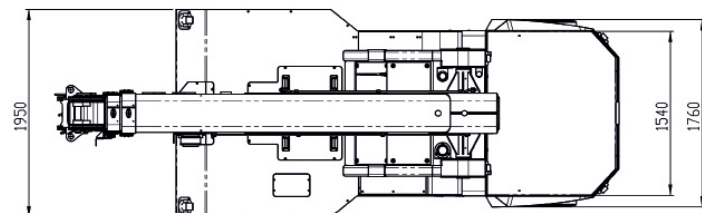


EU Standards CE

	UNI ISO 4301-2: A1
	2006/42 CE-2014/30 UE-2014/35 UE- 2000/14 and subsequent modifications
	EN 13000:2014 ANSI/ASME B30.5-2011 and subsequent modifications



Dimensions





Technical features

Max Capacity kg	12,000
	4110x1950x2340

Front-wheels drive. N°2 electric motors AC 8.5 kW 80V. Insulation class H
Total Kg. 12.300
80 V - 840 Ah 8 working hours
Front nr. 4 superelastic 4x300-15" Rear nr. 2 superelastic 2x250-15"
Rear Steering angle -90°/+90°

L.M.I. Electronic safe load indicator and tilting moment limiter
Service brake: hydraulic with foot control. Parking and emergency brake: hydraulic with automatic control.
Self-supporting steel structure bent and welded
+55°/-15°
Motor driven pump 2x8,5 kW - 80 V AC, Insulation class H

