

HITACHI SUMITOMO

SCX400T

HYDRAULIC TELESCOPIC BOOM CRAWLER CRANE

Specifications

EUROPEAN ISSUE



Specifications

HITACHI SUMITOMO

SCX400T

Superstructure

UPPER REVOLVING FRAME:

All-welded, precision machined, robust construction. Provided with machined surface for mounting load hoist and swing unit assemblies, and mounting itself on turntable bearing. For structural integrate alignment of a 4-section telescopic boom and boom hoist cylinder, boom and cylinder foot pin holes are precisely machine bored too.

TURNTABLE BEARING WITH INTERNAL SWING GEAR:

Single shear ball type; inner race of turntable bearing with integral, internal swing (ring) gear bolted to carbody frame, and outer race of turntable bearing bolted to upper revolving frame.

CONTROL SYSTEM:

System contains two sets each of quadruplicate and single tandem valves which direct oil to various machine function and are actuated by control levers via remote controlled hydraulic servo for all motions. Working speeds can be precisely controlled by pilot-operated two universal joystick and three floor control levers including two as standard for travel and one as optional for aux. crane hoist drum controls. System takes an unique hydraulic circuit to maximize drum horsepower, and reduce horsepower loss with eliminating the possibility of engine stall.

HYDRAULIC SYSTEM:

System provided with two variable displacement axial piston pumps each of 29.4MPa<300kg/cm²>/216Lpm capacity, and one fixed displacement axial piston pump of 27.4MPa<280kg/cm²>/135Lpm capacity for both independent and combined operations of all functions, and one fixed displacement gear pump of 4.9MPa<50kg/cm²>/32.4Lpm capacity for system valve and cylinder controls.

Main/opt. aux. crane hoist motors — Variable displacement axial piston motor with counterbalance valve.

Swing motor — Fixed displacement axial piston motor with spring-applied/power hydraulically released multiple wet-disc type brake for parking.

Travel motors — Shoe-in design; fixed displacement axial piston motor with brake valve and spring-applied/power hydraulically released multiple wet-disc type automatic brake.

Pressure settings — Rated and over-load relief pressure in each hydraulic circuit is set as under:

- Rated pressure settings:
 - Main crane hoist.....29.4Mpa
 - Boom telescoping20.7Mpa
 - Boom elevation.....23.1Mpa
 - Travel24.0Mpa
 - Swing23.0Mpa
 - Pilot4.9Mpa
- Over-load relief pressure settings:
 - Main crane hoist.....31.4Mpa
 - Boom telescoping29.0Mpa
 - Boom elevation.....27.6Mpa
 - Travel24.0Mpa

Oil cooler — Aluminum-make; available for not only a good rustproof but also high cooling efficiency.

Hydraulic oil reservoir — 450 liters capacity.

Kind of hyd. oil — Standardized with ISO VG46 having viscosity ranging from 41.4 thru 50.6mm²/sec at 40°C.

Line filters — A 12 microns high-filtration full-flow filter element is incorporated in return line, and pilot filters and suction filters are designed for a good hydraulic oil filtration.

LOAD HOIST ASSEMBLY:

Main crane hoist drum driven by hydraulic motor of bi-directional, variable displacement axial piston motor through a 2-stage planetary reduction gear unit powering the rope drum in either direction for hoisting and lowering load. Reduction gear unit installed within drum inside to realize a wider drum width. And, Power load lowering is only available as no clutch design is applied.

Brakes — Spring applied, power hadraulically released multiple wet-disc type automatic brake; provided within hyd. moter.

Drum — One piece, parallel grooved lagging with locking ratchet wheel cast integral; driven by a planetary reduction gear unit that involute-splines to drum shaft. Available to wind up approx. 25m long cable of 18mm dia. at drum 1st layer.

Drum locks — Electrically operated pawl.

Aux. crane hoist drum — Optional extra; available in the same design as that of standardized main crane hoist drum.

SWING:

Driven by a bi-directional, axial piston hydraulic motor through 2-stage planetary reduction gear unit powering swing pinion. Swing pinion meshes with internal teeth of swing (ring) gear of turntable bearing inner race.

Brakes — Spring-applied, power hydraulically released multiple wet-disc type; provided within hydraulic motor.

Lock — Mechanically operated drop pin.

Speed — 3.8min⁻¹ <3.8rpm>.

OPERATOR'S CAB:

A 940mm wide, acoustically treated, full-vision, cushion rubber mounted, well-ventilated, full compartment, roomy operator's cab with a large front window with safety glass; provided with an arrangement of control station with two universal joystick, two travel and one optional aux. crane hoist drum control levers, sunvisor, sunshade, rear-view mirrors, an intermittent type window shield wipers with washer on both front and roof windows, sliding windows on left-hand side cab, and roll-down window on cab sliding door.

Instrument panel — Contains engine monitoring lamps, English WYLIE brand Load Moment

Indicator, gauges & meter, warning lamps and other necessary controllers and switches.

Operator's seat — Full adjustable reclining seat with head rest and both R/H and L/H side arm rests.

Anemometer — Optional extra; analogue type with a warning function when wind velocity exceeds 10m/s.

Air-conditioner — Provided as std.; built-in type full air-conditioning.

Electric cab fan — Optional extra; wind-direction adjustable type.

Engine throttle — Available in two(2) throttles of right-and-left-hand foot pedal and hand throttle.

Operator's cab sidestep — Available for access ease to operator's cab.

AM/FM radio — Provided as std. with clock.

Fire extinguisher — Optional extra; powder type with 1kg capacity.

MACHINERY CAB:

Equipped with hinged doors on both sides for machinery access and inspection; affixed with tape-type non-skid material on the roof.

COUNTERWEIGHTS:

Weights 11.5ton with a 4-removable block consisting of "A" (4,900kg), "B" (2,800kg), "C" (2,800kg) and "D" (1,000kg).

ELECTRICAL SYSTEM:

24-volt negative ground system; provided with two maintenance free batteries of 12V×150AH.

LIGHTING SYSTEM:

Includes following lights.

- Two 70 W working lights;
- One 10 W interior cab light.

POWER UNIT:

Make & Model	Isuzu BB-6HK1TQA
Type	Water-cooled, 4-cycle, direct injection, turbo-charged, diesel
No. of Cylinders	Six (6)
Bore & Stroke	115 mm × 125 mm
Displacement	7,790 cc
Rated Output	136 kW/2,000 min ⁻¹ 185 ps/2,000 rpm
Maximum Torque	735 N·m/1,600 min ⁻¹ 75 kgf-m/1,600 rpm
Fuel Tank	300 liters

Note: The engine meets Stage/Tier 2 of current smoke emission reguerations in Europe, America and Japan.

Undercarriage

CARBODY FRAME:

All-welded, precision machined, box type construction; provided with four axle tips, and a clearance adjusting mechanism for better fitting between axles and crawler side frames. Provided a machined surface for mounting turntable bearing.

CRAWLER SIDE FRAMES:

All-welded, box type construction, precision machined; each slide-assembled along carbody frame axle tip boxes, and held in place by plate links with pins.

Retract cylinder — Available to power hydraulically extend/retract the crawler side frames, and to assist in removing side frames. Controlled from operator's cab.

DRIVE SPROCKETS:

Cast steel, heat treated; one per side frame. Track drive sprocket assembly bolt-coupled to 2-stage planetary reduction gear unit outer case as an integral part of shoe-in type traction motor. Sealed between parts of rotation and non-rotation of the motor with floating seal.

IDLER WHEELS:

Cast steel, heat treated; one per side frame. Mounted on two bronze bushings with floating seals for lifetime lubrication.

TRACK ROLLERS:

Ten per side frame; each heat-treated cast steel with double flange design. All mounted on two bronze bushings with floating seals for lifetime lubrication.

CARRIER ROLLERS:

Two per side frame; each heat-treated cast steel with double flange design. All mounted on two bronze bushings with floating seals for lifetime lubrication.

TRACKS:

Tractor type; provided with induction-hardened, alloy, triple grouser shoes, and heat-treated track link pins with dirt seals; 56 pcs. per side frame.

Shoe width — 810mm wide.

Track adjustment — Hydraulic track adjustment with shock-absorbing recoil spring is provided on each track.

TRAVEL AND STEERING:

A bi-directional, shoe-in type axial piston hydraulic motor bolt-couples with drive sprocket thru 2-stage planetary reduction gear unit outer case at each crawler side frame end for travel and steer. Straight-line travel (forward or reverse), pivot or differential turns, and counter-rotation for spin turns are available.

Brake — Spring-applied, power hydraulically released multiple wet-disc type automatic brake; located within hydraulic motor. Brakes automatically set when travel levers are in neutral or when engine is shut down.

Travel speed — 1.9km/hr. (based on flat, level and firm supporting surface, and under the conditions that no load must be applied and front-end att. must be the standardized 4-section telescopic boom only).

Gradeability — 40% (22°) permissible based on basic machine without front-end attachment.

Safety Devices

LOAD MOMENT INDICATOR:

English WYLIE brand; this is a full computerized automatic over-load prevention system which meets EN Standards; Included in the design is (1) no zero-point adjustment, (2) operator selected crane configuration on graphic display panel (3) optional range and slew angle limit settings.

Construction (standard version) — Comprises (1) pressure transducers (2) boom angle sensor/length sensor (3) computerized Micro Processing Unit (M.P.U.) and (4) graphic display panel.

Functions — This system functions by informing the crane Operator with the activation of a yellow LED and internal buzzer when the load lifted reaches 95% of the cranes capacity and by a red LED and external audible alarm when the lifted load exceeds 102.5% of the cranes capacity. At this point the unsafe motions of the crane are automatically stopped. The safe motions are allowed except for the boom up operation that is only allowed by the operation of a spring return switch in the operators cabin.

Display panel design — A graphic display panel in clear view to the operator allows the inputting of the cranes configuration. It displays all relevant information including "Allowable rated load", "Actual lifted load" and the cranes current status "Utilisation bargraph", "Radius", "Boom length", "Boom angle", "Parts of hoist", "Winch selected" etc. If option is installed the operator can also select a working range and the crane will be automatically restricted to work only in the pre-defined area.

DRUM ROPE OVER-PAYOUT PREVENTING DEVICE:

Available on both main and opt. aux. crane hoist drums, and functions to automatically stop drum rotation when no. of rope winding at 1st layer becomes three(3).

HOOK OVER-HOIST LIMITING DEVICE:

Limit switch type. Available to prevent hook over-hoisting with functions of automatic drum braking with hydraulic lock, and warning by buzzer.

SWING LOCK:

Mechanically operated drop pin; available to firmly lock superstructure in two positions of facing front and rear to undercarriage.

DRUM LOCK:

Electrically operated pawl locks is available on main crane hoist drum.

SWING BRAKE SAFETY CIRCUIT:

Available not to start engine whenever swing brake is off.

HOOK LATCH:

Provided on every kinds of hook to prevent out of place of cable from hook.

SWING ALARM:

This is by buzzer, and flasher lamps located on both sides of machinery cab.

SIGNAL HORN:

Available as warning just before every kinds of motions are initiated.

FOOL PROOF SHUT-OFF SYSTEM:

Located in the cab exit; this is available to automatically deactivate and lock hydraulic system.

LMI SAFETY CIRCUIT-OFF SWITCH:

Available in key type for a good crane safety operation management without fail.

GAUGES & METER:

Engine water temperature gauge, fuel gauge and hour-meter are provided on instrument panel.

ENGINE MONITORING LAMPS:

Available to let operator warn engine abnormal conditions as to battery charge, lubrication oil pressure, radiator coolant level, oil filter clogging, air filter clogging, water temp., and glow plug; provided on instrument panel.

REAR VIEW MIRRORS:

Two; provided on front-left and -right corners of superstructure.

THREE COLOR PERCENTAGE INDICATOR:

This is with three colours of Green, Yellow and Red. Each colour indicates the load percentage to rated capacity; Green shows less than 95% as safety, Yellow shows 95 to 102.5% as marginal, and Red shows over 102.5% as over-loading. As further function, Red lamp comes

on automatically when operator cuts off safety circuit of the LMI absentmindedly.

LEVEL GAUGE:

Optional extra; bubble type. Located on operator's cab floor of superstructure.

MICROPHONE & LOUD-SPEAKER:

Optional extra; this is for operator's convenience for loud speaking.

AUX. CRANE HOOK OVER-HOIST LIMITING DEVICE:

Optional extra; this is available for auxiliary crane hoist with optional aux. auxiliary lifting sheave, Performs the same function as that of "Hook over-hoist limiting device" mentioned before.

Front-end Attachment

BOOM:

A 4-section full power, box construction, telescopic boom under American Link-Belt's patented design; boom side plates is designed with diamond shaped impressions for superior strength to weight ratio and 689.5MPa angle chords for lateral stiffness. In addition, boom telescope sections are supported by adjustable side wear shoes both vertically and horizontally to prevent metal-to-metal contact.

Length.....10.06m to 32.00m with a 4-section.

Boom telescoping.....Available in two modes of "B" and "A" as under:

Mode "B" — This is basic mode, and is the full power, synchronized mode of telescoping all sections proportionally.

Mode "A" — This is an exclusive mode to extend only 2nd section to 17.37m offering increased capacities for in-close, maximum capacity picks.

Boom telescoping speed — Approx. 70 sec. (from 10.06m to 32.00m).

Boom head.....Four(4) head and two(2) guide of 0.42m root diameter nylon sheave mounted on anti-friction bearing; provided with quick cable reeve design, and easily removable cable guards.

Boom elevation.....Available from -3°to78°; provided with one Link-Belt designed hydraulic cylinder with holding valve and bushing in each end.

Boom elevating speed — Approx. 40sec. (from zero to 78 degrees).

AUXILIARY LIFTING SHEAVE:

Optional extra; all-welded construction having head machinery with 0.42m root diameter nylon sheave mounted on anti-friction bearing with removable wire rope guard. Pinned to top of tip section. Available to lift light load of 5ton or less under one part-line off the optional aux. crane hoist drum.

HOOK BLOCKS:

Sheaves all mounded on anti-friction bearings. Available in 3 kinds of capacities as under:

40t, four sheaves.....Standard.

20t, two sheave.....Optional extra.

5t, ball hook.....Optional extra.

DRUM DATA:

Drum	Root dia.	Type	Line speed (Hoisting, Lowering)	Cable	Max. line pull
Main	402mm	Parallel grooved (Lebus type)	100/ 65mpm	18mm	85kN 8.7t
Optional Auxiliary	402mm	Parallel grooved (Lebus type)	100/ 65mpm	18mm	85kN 8.7t

Notes:

- Line speed is based on drum first layer and rated engine rpm under no load condition.
- Hoisting line speed varies under load and operating conditions.

HOIST REEVING:

Kind of hook block	No. of partline	(t)							
		8	7	6	5	4	3	2	1
40t		40.0	35.0	30.0	25.0	20.0	15.0	10.0	—
20t		—	—	—	—	20.0	15.0	10.0	—
5t		—	—	—	—	—	—	—	5.0

CABLES:

Main drumIWRC 6×WS (31), 18mm dia./170m long, breaking load 238kN 24.3t .

Opt. auxiliary drum.....Optional extra; IWRC 6×WS (31), 18mm dia./100m long, breaking load 238kN 24.3t .

Liftcrane 40 metric tons

LIFTCRANE CAPACITIES (1) - Boom telescoping mode " B "

Boom length (m) Working radius (m)	10.06	12.19	5.24	18.29	21.34	24.38	27.43	30.48	32.00
2.5	40.00								
3.0	35.00	15.80	15.80	15.80					
4.0	28.40	15.80	15.80	15.80	15.80/4.6				
5.0	22.50	15.80	15.80	15.80	15.80				
6.0	16.90	15.80	15.80	15.80	15.80	13.80/6.1	12.20/6.1		
7.0	13.30	13.40	13.50	13.60	13.70	12.40	11.20	9.40/7.6	7.90/7.6
8.0	11.70/7.6	11.00	11.10	11.20	11.20	11.00	10.10	9.10	7.90
9.0		9.20	9.30	9.40	9.40	9.50	9.10	8.40	7.90
10.0			7.90	8.00	8.10	8.10	8.10	7.70	7.30
11.0			6.90	6.90	7.00	7.00	7.10	7.10	6.70
12.0			6.00	6.10	6.10	6.20	6.20	6.20	6.20
13.0			5.80/12.2	5.30	5.40	5.40	5.50	5.50	5.50
14.0				4.70	4.80	4.80	4.90	4.90	4.90
15.0				4.20	4.30	4.30	4.30	4.40	4.40
16.0				4.10/15.2	3.80	3.90	3.90	3.90	3.90
17.0					3.50	3.50	3.50	3.50	3.50
18.0					3.10	3.10	3.20	3.20	3.20
19.0						2.80	2.90	2.90	2.90
20.0						2.60	2.60	2.60	2.60
21.0						2.30	2.40	2.40	2.40
22.0							2.20	2.20	2.20
23.0							1.90	1.90	2.00
24.0							1.70	1.70	1.70
25.0								1.60	1.60
26.0								1.40	1.40
27.0								1.20	1.20

LIFTCRANE CAPACITIES (2) - Boom telescoping mode " A "

Boom length (m) Working radius (m)	10.06	12.19	15.24	17.37
2.5	40.00			
3.0	35.00	32.50	31.50	19.50
4.0	28.40	27.00	26.00	19.00
5.0	22.50	21.70	21.00	16.80
6.0	16.90	16.60	16.30	14.50
7.0	13.30	13.00	12.80	12.50
8.0	11.70/7.6	10.60	10.40	10.30
9.0		8.80	8.70	8.60
10.0			7.30	7.20
11.0			6.30	6.20
12.0			5.40	5.30
13.0			5.30/12.2	4.60
14.0				4.10
15.0				3.50
16.0				3.40/15.2

WORKING MASS & GROUND PRESSURE:

Shoe width	Mass	Pressure
810mm	45.2t	55.8kPa <0.57kg/cm ² >

Note: Working mass shown above is with a 4-section telescopic boom, 11.5ton counterweight, and 40t hook block.

Notes — Liftcrane capacities

1. GENERAL:

- (1) WARNING !! IT IS A MUST TO READ AND UNDERSTAND THE OPERATOR'S MANUALS AND THE FOLLOWING INSTRUCTIONS AND RATED LIFTING CAPACITIES BEFORE OPERATING CRANE. OPERATION WHICH DOES NOT FOLLOW THESE INSTRUCTIONS MAY RESULT IN AN ACCIDENT.
- (2) Capacities are in metric tons, and are rated in accordance with prEN13000 Standard; the figures surrounded by bold lines are based on the factor of machine structural strength limitations according to prEN13000 Standard or hydraulic limitations.
- (3) Rated lifting capacities as shown on these charts pertain to this crane as originally manufactured and normally equipped. Modifications to the crane or use of optional equipment other than that specified can result in a reduction of capacity.
- (4) Construction equipment can be dangerous if improperly operated or maintained. Operation and maintenance of this crane must be in compliance with the instruction/information in the Operator's and Parts Manuals supplied with this crane. If these manuals are missing, it is certainly required to order us or nearest distributor the replacements.
- (5) The operator and other personnel associated with this crane shall read and fully understand the latest applicable European safety Standards like prEN414.
- (6) The rated lifting capacities are based on crane standing level on firm supporting surface.

2. SET-UP:

- (1) The crane shall be leveled on a firm supporting surface. Depending on the nature of the supporting surface, it may be necessary to have structural supports under the crawler shoes for its level.
- (2) When making lifts, crawler side frames must be fully extended.
- (3) An 11.5ton counterweight is required for all capacities on these charts.
- (4) When operating, maximum boom angle shall not exceed 78 degrees.
- (5) As to required number of part line, see "HOIST REEVING" described in page 7 here.

3. OPERATION:

- (1) Rated lifting capacities at rated radii shall not be exceeded. Do not tip the crane to determine allowable loads.
- (2) Rated lifting capacities include the weight of hook block, weighted ball, slings, spreader bar or other suspended gear. These weights must be subtracted from the listed rated capacity to obtain the net load that can be lifted. Weights of hook blocks available from manufacturer are as under:
40t.....0.52ton 20t.....0.41ton 5t.....0.26ton
- (3) All capacities are rated for 360° swing.
- (4) Least stable rated condition is over the side.
- (5) Rated lifting capacities are based on freely suspended loads. No attempt shall be made to move the lifting load from the ground in any direction.
- (6) Rated lifting capacities are for lift crane service only.
- (7) It is certainly required to operate within maximum radii of each boom length where capacities are listed; if operated at any radii out of ranges listed, the crane will tip or cause boom failure.
- (8) The maximum loads that can be telescoped are not definable because of variation in loadings and crane maintenance, but it is permissible to attempt retraction and extension within the limits of the applicable load rating chart.
- (9) The machine can be steplessly operated in the range of not only working radius between 2.5m and 27.0m, but also boom length from 10.06m thru 32.00m safely; capacities which are available but are not described in these charts are automatically set up by a computerized automatic over-load preventing system, English WYLIE brand Load Moment Indicator.

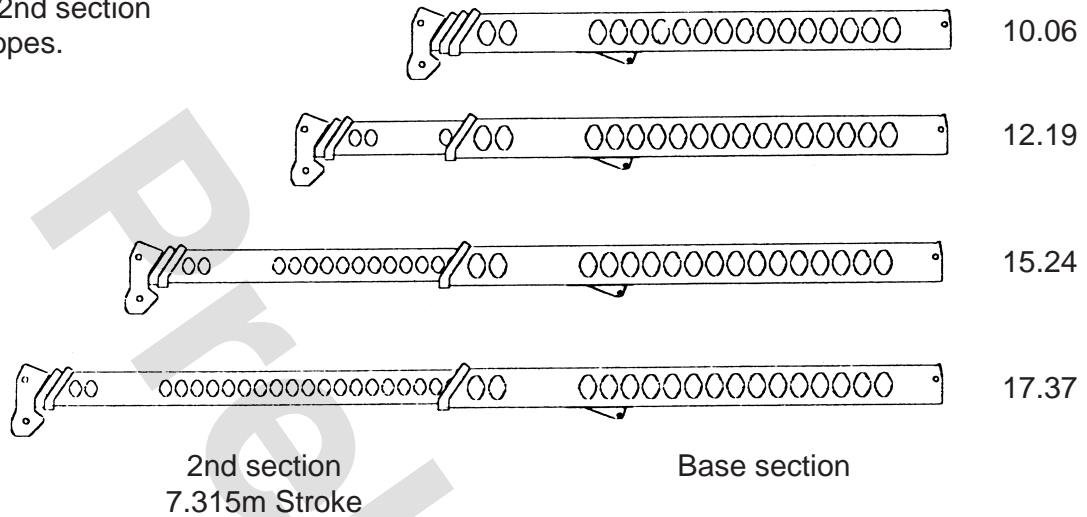
- (10) The user shall operate at reduced ratings to allow for adverse job conditions, such as: soft or uneven ground, out of level conditions, wind, side loads, pendulum action, jerking or sudden stopping of loads, hazardous conditions, experience of personnel, traveling with loads, and so on. Side load on boom is dangerous and shall be avoided.
- (11) Rated lifting capacities do not account for wind on suspended load or boom. Rated capacities and boom length shall be appropriately reduced if wind velocity approaches 9m/s. And, in the case that it exceeds 10m/s, all of operation shall not be allowed.
- (12) Aux. lifting sheave capacities is almost equal to the figures made by the deduction of a 250kg from the liftcrane capacities unless restricted by its maximum capacity of 5ton. As to the details, please consult us or nearest distributor.
- (13) Power sections of boom must be extended in accordance with boom mode "A" or "B" (see page 9, Boom Telescoping Mode).
- (14) Capacities when handling load off main boom head sheaves in case of mounting lattice fly or auxiliary lifting sheave on top of boom are detailed; if required, please consult us or nearest distributor.
- (15) Rated lifting capacities are based on correct no. of part-line. Deduction must be made for excessive no. of part-line. Any hoist cable reeving over the figure as required as minimum is considered excessive and must be accounted when making lifts. It is suggested Working Range Diagram is used to estimate the extra meter of rope then deduct 1.5kg for each extra meter of wire rope before lifting the load.
- (16) In capacity charts, the working radius from center of rotation of the machine to center of vertical hoist line are under loaded conditions.

Boom Telescoping Mode

Mode " A "

Only 2nd section telescopes.

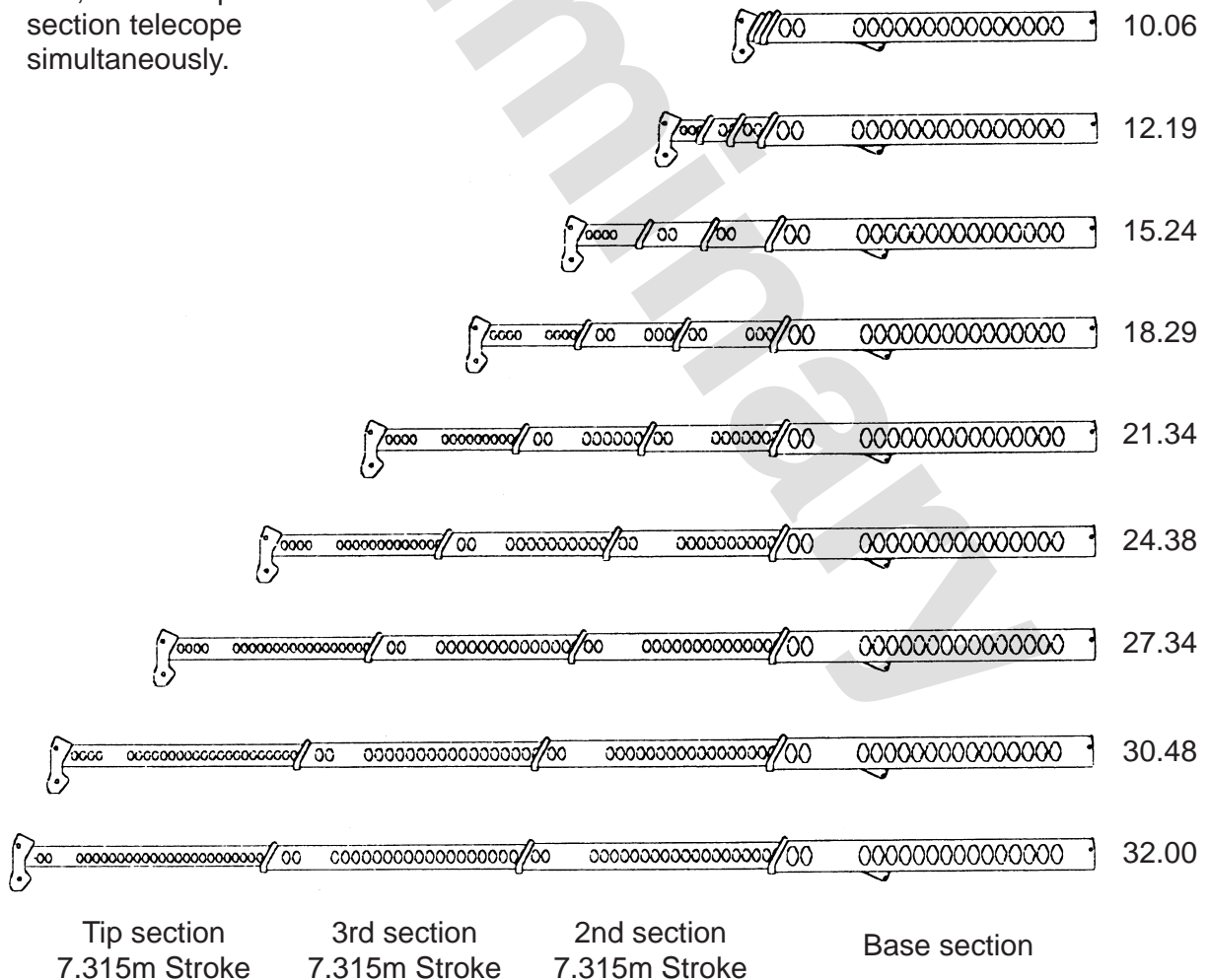
Boom Length (m)



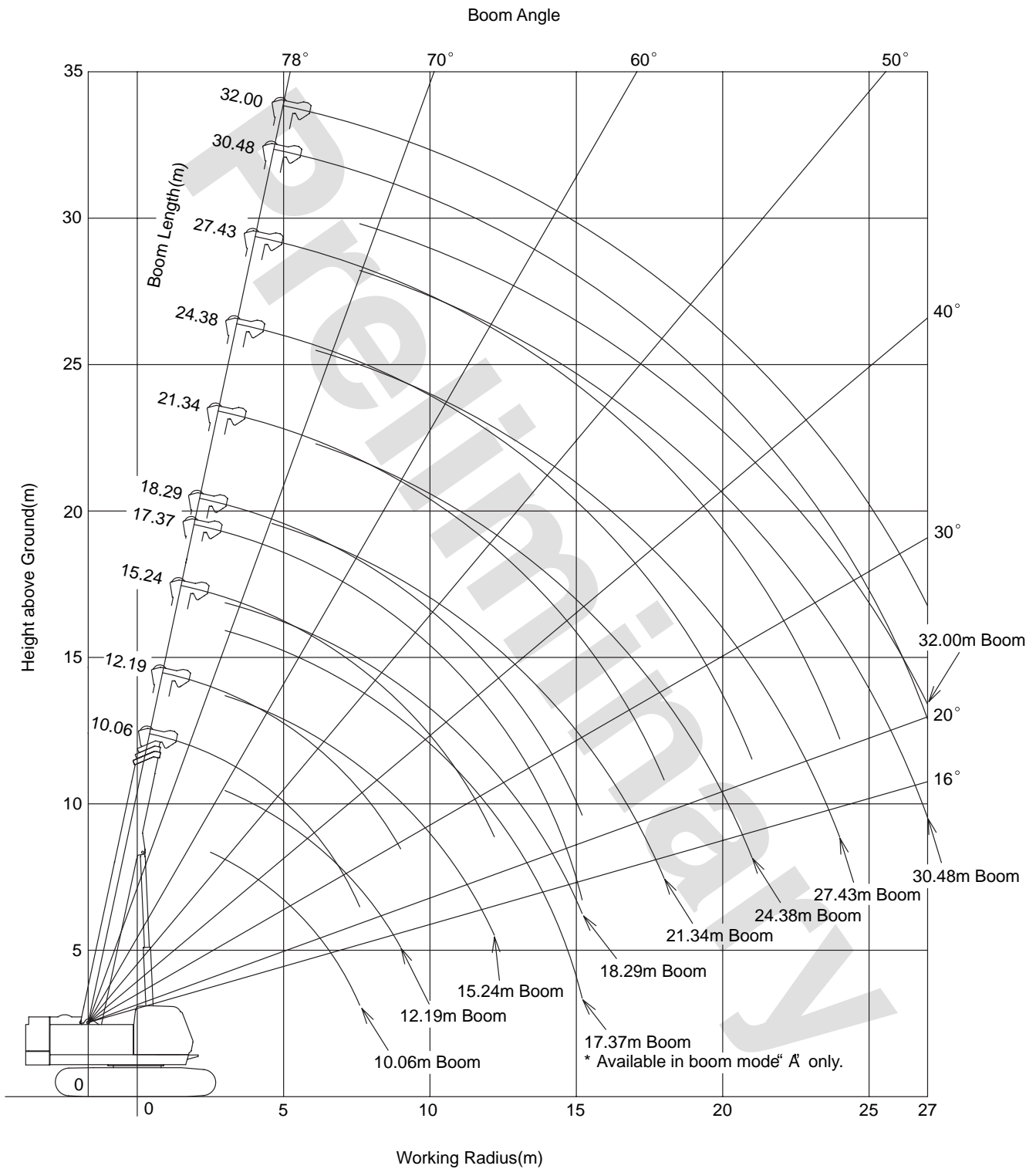
Mode " B "

2nd, 3rd and tip section telescope simultaneously.

Boom Length (m)



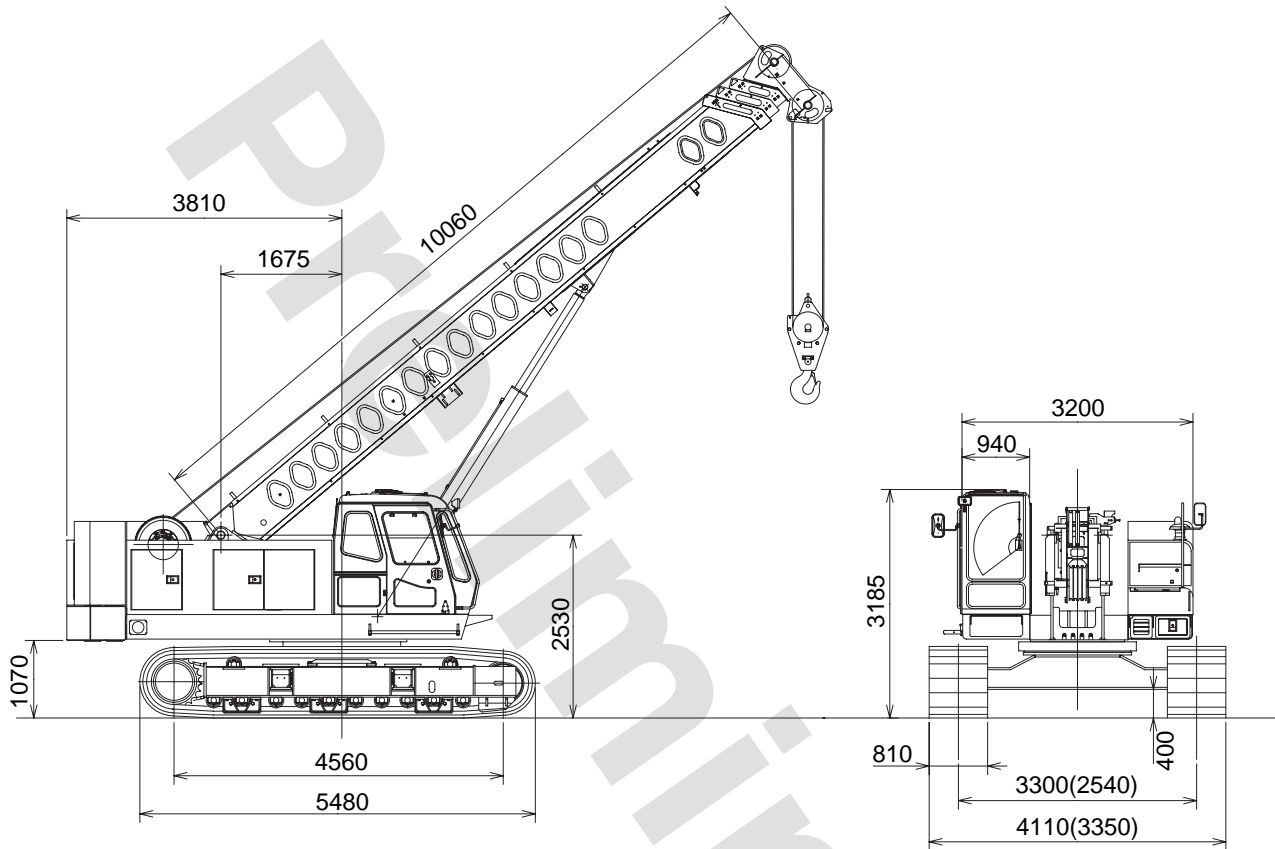
Working Ranges



Notes :

1. The above diagram shows two kinds of locuses of boom peak sheave and hook points; the lower lines each indicate the locus of hook point, and upper lines each show the locus of boom peak sheave point.
2. A 4-boom length of 10.06/12.19/15.24/17.34m is available in boom telescoping mode "A" while a 9-boom length of 10.06/12.19/15.24/18.29/21.34/24.38/27.43/30.48/32.00m is available in mode "B".

General Dimensions (w/Service refill capacities data)



(in mm)

Note: The figures in parenthesis are in the case that crawler side frames are fully retracted.

Service Refill Capacities (in liters):

Full tank	300
Engine coolant	27.5
Engine oil	36
Pump splitter	2
Main crane hoist drum reduction gear unit	11.5
Swing reduction gear unit	8
Travel reduction gear unit	11.5×2
Hydraulic system, including reservoir tank capacity	650
Hydraulic oil reservoir	450

Standard and Optional Equipment

	Standard equipment	Optional equipment
Superstructure	<ul style="list-style-type: none"> ● Isuzu BB-6HK1TQA diesel engine with an 136kW <185ps> rated output; ● Hydraulic system with two variable/one fixed displacement axial piston pumps and one fixed displacement gear pump; provided with aluminum-make oil cooler; ● Control system with two sets each of quadruplicate and single tandem valves and pilot-operated universal joystick and floor control levers; provided with an unique hydraulic circuit to always maximize engine output under any load condition; ● Main crane hoist drum winch of 85kN 8.7t line pull with 402mm dia. drum lagging driven by variable displacement axial piston type hyd. motor; provided with a multiple wet-disc type automatic brake; ● Swing mechanism with turntable bearing; driven by one hyd. motor w/spring-applied, power hydraulically released multiple wet-disc brake; provided with swing lock device; ● 940mm wide, full-vision operator's cab with a large front window; provided with an arrangement of operator control station with two universal joystick, two travel control and one optional aux. crane hoist drum control levers, air-conditioning and instrument panel; ● 11.5ton counterweight; ● Machinery cab with hinged doors; ● 24-volt electrical system with two 12-volt batteries; ● Lighting system: <ul style="list-style-type: none"> • Two 70W working lights; • One 10W interior cab light; ● Accessories: <ul style="list-style-type: none"> • Emergency escape hammer; • AM/FM radio w/clock; • Engine hourmeter; • Fuel gauge; • Eng. water temp. gauge; • Engine over-heat indicator; • Intermittent window shield wipers with washers; available on both front and roof windows; • Cigar lighter; • Ash tray; • Sunvisor; • Sunshade; • Non-skid surfaces; • Cab front step; • Cab sidestep; • Cab floor mat; • Re-fuel pump; • Superstructure under-cover. ● Std. spare parts and tools. 	<ul style="list-style-type: none"> ● Aux. crane hoist drum winch; ● Anemometer; ● Fire extinguisher; ● Electric cab fan.

	Standard equipment	Optional equipment
Undercarriage	<ul style="list-style-type: none"> ● 3,300mm gauge by 5,480mm long crawler lower with power hydraulically retractable/ extendible crawler side frames; ● Crawler drive units with shoe-in type traction motor with wet-disc type automatic brakes; ● Tractor type tracks with 810mm wide 3-bar grouser shoes; ● Hydraulic track adjusting devices with recoil spring; ● Lifetime lubricated track components; 	
Liftcrane Att.	<ul style="list-style-type: none"> ● A 4-section, full power, box construction, telescopic boom extending from 10.06m to 32.00m with American Link-Belt's patented design; ● Four nylon boom head sheaves w/two nylon guide sheaves with quick cable reeve design; ● A Link-Belt designed power hydraulic boom hoist cylinder; ● Main crane hoist cable; 18mm dia./170m long; ● 40t hook block; 	<ul style="list-style-type: none"> ● Auxiliary lifting sheave;

	Standard equipment	Optional equipment
<p>Safety Devices</p>	<ul style="list-style-type: none"> ● English WYLIE brand Load Moment Indicator; this is a computerized automatic over-load preventing system; provided with a graphic display panel allowing the inputting of the cranes configuration, and a function indicating present lifting conditions like “actual lifted load”, “allowable rated load”, “boom length”, “working radius”, “boom angle”, and so on; ● Drum rope over-payout preventing device; ● Main crane hoist drum pawl lock; ● Swing lock; ● Swing alarm; ● Hook over-hoist limiting device; ● Swing brake safety circuit; ● Signal horn; ● Hook latch; ● Fool proof shut-off system; ● Engine monitoring lamps; ● Rear view mirrors; ● Three color percentage indicator; ● LMI safety circuit-off switch. 	<ul style="list-style-type: none"> ● Aux. hook over-hoist limiting device; ● Microphone & loud-speaker; ● Level gauge; fitted on floor of operator's cab;

MEMO

Preliminary

SCX400T

Preliminary

Hitachi Sumitomo Heavy Industries Construction Crane Co., Ltd.

12-14, Ueno 7-chome, Taito-ku, Tokyo 110-0005, Japan

Phone: 81-3-3845-1387 Facsimile: 81-3-3845-1394

- We are constantly improving our products and therefore reserve the right to change designs and specifications without notice.
- Units in this specification are shown under International System of Units; the figures in parenthesis are under Gravitational System of Units as old one.

Address Inquires to: