

LET'S MAKE ZERO-EMISSION REAL

RentalMatch Green Power

Dealer and Maintenance partner of:

JMG Cranes North Europe

Sales & Service Office

Ecologieweg 16

3433 LM Hendrik-Ido-Ambacht - Netherlands

t +31 651855113

t +31 613214166

e info@rentalmatch.eu

Production Plant

Via Sito Nuovo 14

29010 Sarmato (PC) - Italy



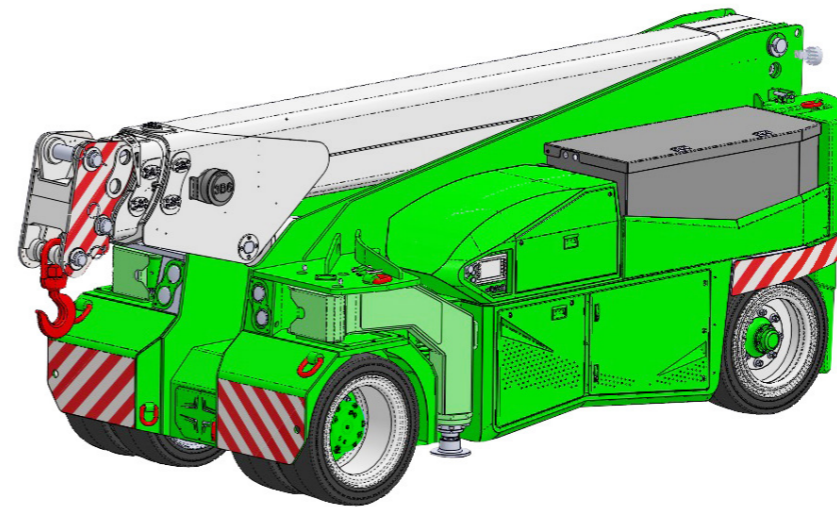
www.RentalMatch.eu

Data subject to change without prior notice
Edition 04/2020 © 2020 JMG Cranes S.p.A. All rights reserved
Rev.1 - 04/2020



RentalMatch
GREEN POWER

Electric
Pick & Carry
Cranes



MC 180S (metric)
Max Capacity 18,000 Kg



JMG[®]
movetosolution

MC 180S

RADIO-REMOTE CONTROL ON DRIVING, STEERING, BOOM MOVEMENTS, WINCH AND OTHER ACCESSORIES

FRONT-WHEELS DRIVE WITH COUNTER ROTATION

REMOVABLE COUNTERWEIGHTS

HYDRAULICALLY TELESCOPING PROPORTIONAL TYPE BOOM

FRONT COMPASS TYPE OUTRIGGERS

Options :

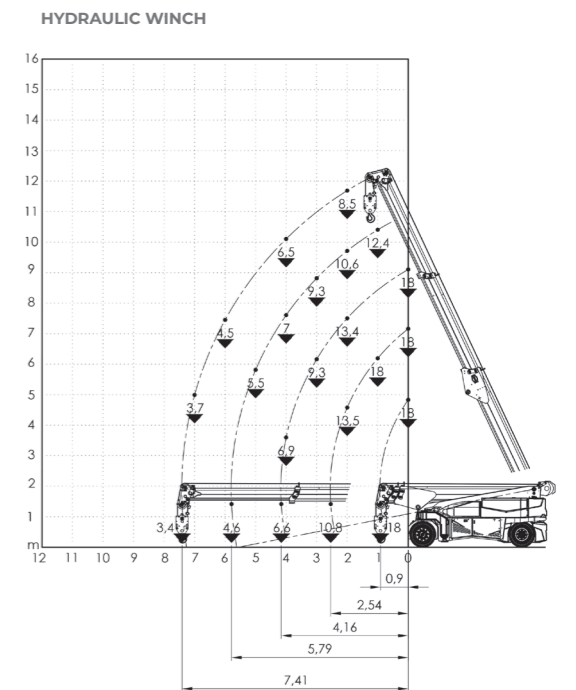
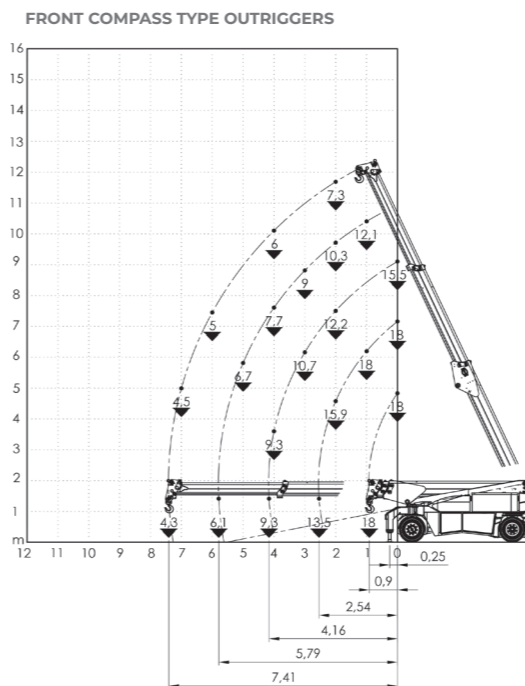
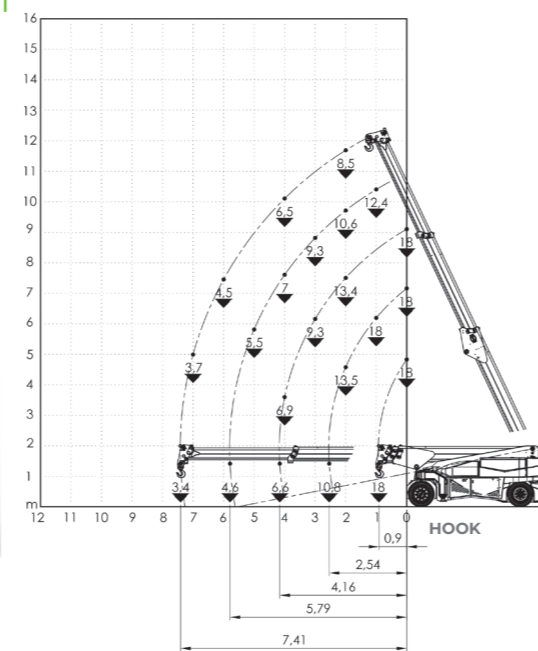
- HYDRAULIC WINCH
- HYDRAULIC JIB WITH HYDRAULIC EXTENSION
- BENDABLE MANUAL JIB WITH MANUAL EXTENSION
- NON-MARKING TIRES
- HYDRAULIC FORKS
- MAN BUCKET
- ATEX CONVERSIONS
- CUSTOMIZED PAINTING



Technical features

Max Capacity kg	18,000	Front-wheels drive. 2 electric motors AC 10 kW 96V Insulation class H	LMI. Electronic safe load indicator and tilting moment limiter
	Dimensions mm	4535x1990x2000	Automatic braking system on all wheels
		96 V - 1035 Ah 8 working hours	Fabricated from preformed and welded quality steel plate
	Front nr. 4 superelastic 355x50-20" Rear nr. 2 superelastic 355x50-20"	Rear Steering angle -90°/+90°	+65°/-6°
			Motor driven pump N°2 23 kW - 96 V AC, 16 kW - 96 V AC Insulation class H

Load charts



EU Standards CE

	UNI ISO 4301-2: A1
	2006/42 CE-2014/30 UE-2014/35 UE- 2000/14 e and subsequent modifications
	EN 13000:2014 ANSI/ASME B30.5-2011 and subsequent modifications



Dimensions

