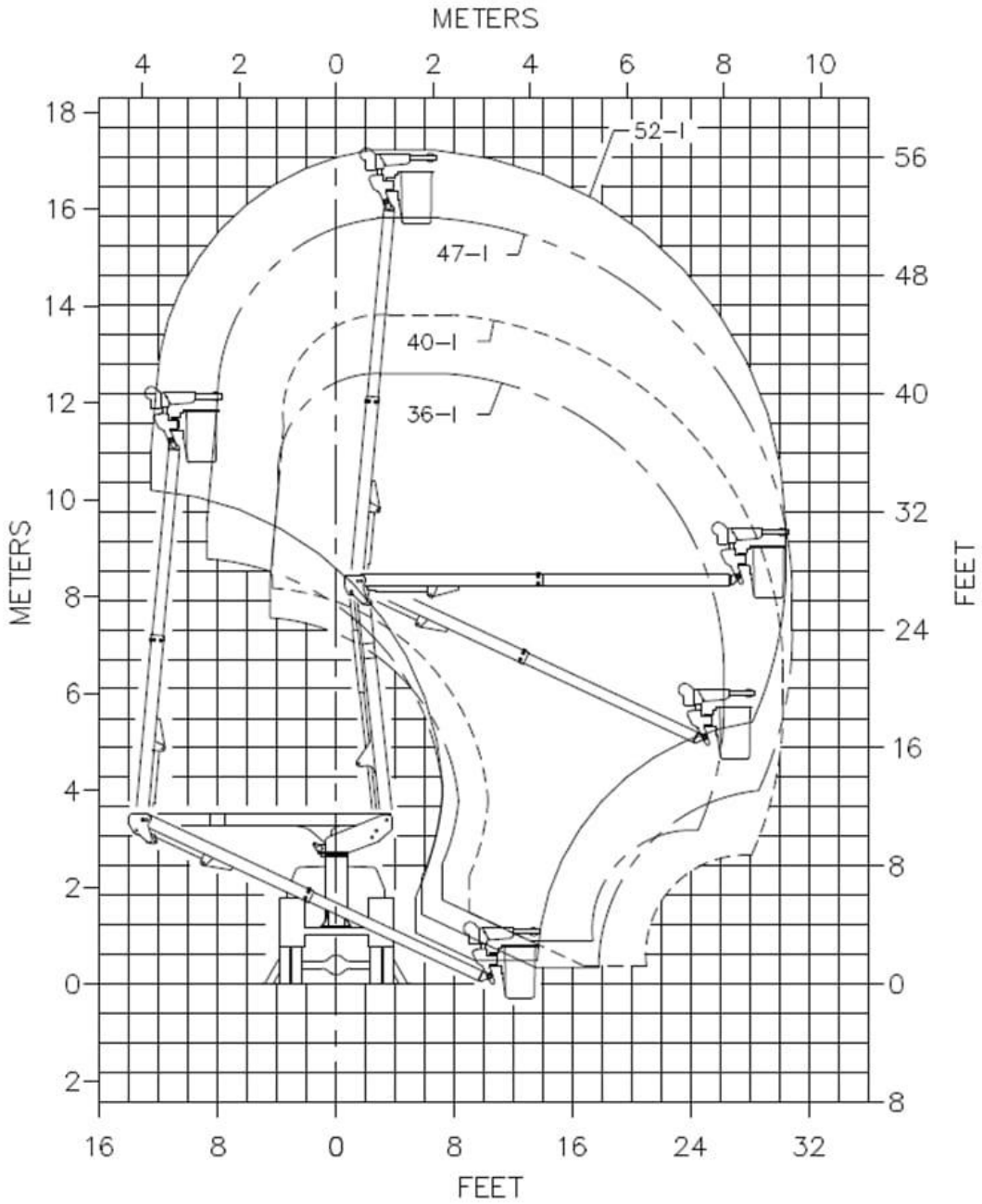
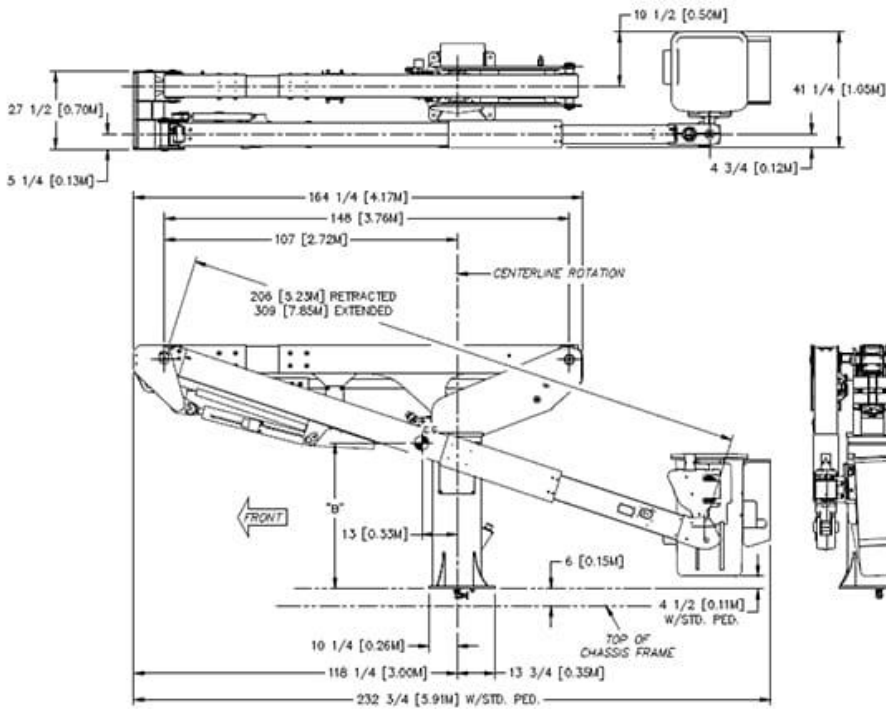


**VST-47-I Articulated Telescopic Bucket Truck Specs**

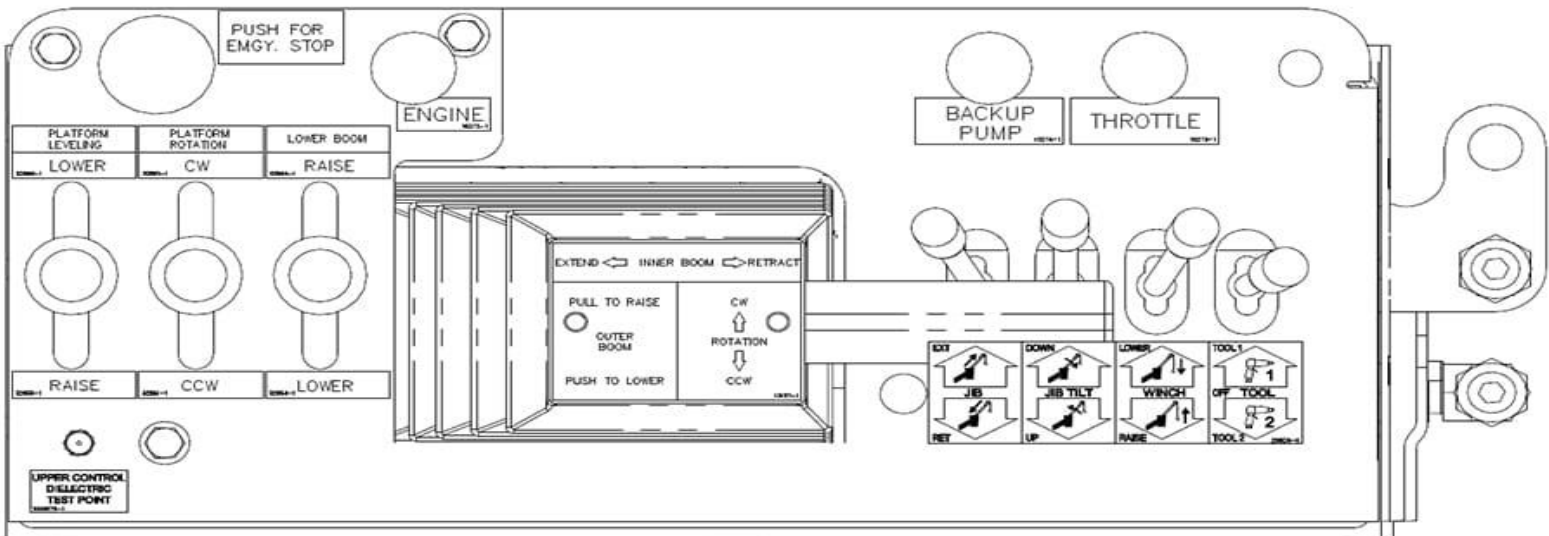
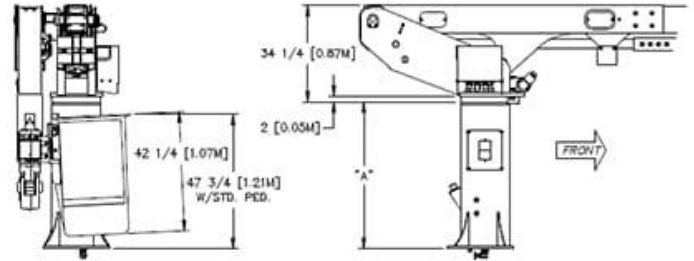




**DIMENSIONAL CHART**

PEDESTAL OPTION	"A"	"B"	HEIGHT #
P-1260-8 (46" TALL)	46 1/4 [1.17M]	53 [1.37M]	3580 LBS [1620 kg]
P-1260-9 (52" TALL)	52 1/4 [1.33M]	57 [1.45M]	3600 LBS [1630 kg]
P-1260-10 (58" TALL)	58 1/4 [1.48M]	60 [1.52M]	3620 LBS [1640 kg]
P-1260-11 (64" TALL)	64 1/4 [1.63M]	64 [1.63M]	3640 LBS [1650 kg]

STANDARD →



**3-Axis Upper Controls w/ Truguard  
(For Reference Only - Options May Vary)**