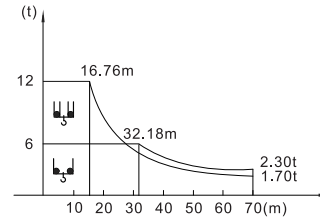


## 12/10t

載荷表 Load Chart 雙小車 2-trolley

R (m)	倍率 Fall	R (Cmax) (m)	Cmax (t)	15	20	25	30	35	40	45	50	55	60	65	70
70	I	32.18	6.00	6.00	6.00	6.00	6.00	5.44	4.65	4.03	3.54	3.15	2.82	2.54	2.30
	IV	16.76	12.00	12.00	9.73	7.42	5.91	4.84	4.05	3.43	2.94	2.55	2.22	1.94	1.70
65	I	33.71	6.00	6.00	6.00	6.00	6.00	5.74	4.91	4.27	3.76	3.34	2.99	2.70	
	IV	17.54	12.00	12.00	10.27	7.85	6.26	5.14	4.31	3.67	3.16	2.74	2.39	2.10	
60	I	35.53	6.00	6.00	6.00	6.00	6.00	6.00	5.23	4.55	4.01	3.57	3.20		
	IV	18.46	12.00	12.00	10.92	8.36	6.69	5.50	4.63	3.95	3.41	2.97	2.60		
55	I	38.20	6.00	6.00	6.00	6.00	6.00	6.00	5.69	4.96	4.37	3.90			
	IV	19.81	12.00	12.00	11.87	9.11	7.31	6.04	5.09	4.36	3.77	3.30			
50	I	40.56	6.00	6.00	6.00	6.00	6.00	6.00	6.00	5.32	4.70				
	IV	21.00	12.00	12.00	12.00	9.78	7.86	6.50	5.50	4.72	4.10				
45	I	45.00	6.00	6.00	6.00	6.00	6.00	6.00	6.00	6.00					
	IV	23.58	12.00	12.00	12.00	11.21	9.04	7.51	6.38	5.50					
40	I	40.00	6.00	6.00	6.00	6.00	6.00	6.00	6.00						
	IV	23.20	12.00	12.00	12.00	10.99	8.85	7.33	6.20						
35	I	35.00	6.00	6.00	6.00	6.00	6.00	6.00							
	IV	22.61	12.00	12.00	12.00	10.67	8.58	7.10							
30	I	30.00	6.00	6.00	6.00	6.00	6.00								
	IV	22.07	12.00	12.00	12.00	10.33	8.30								

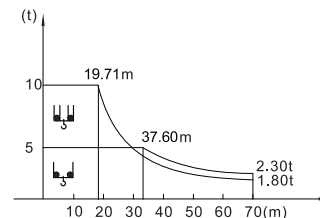
12T



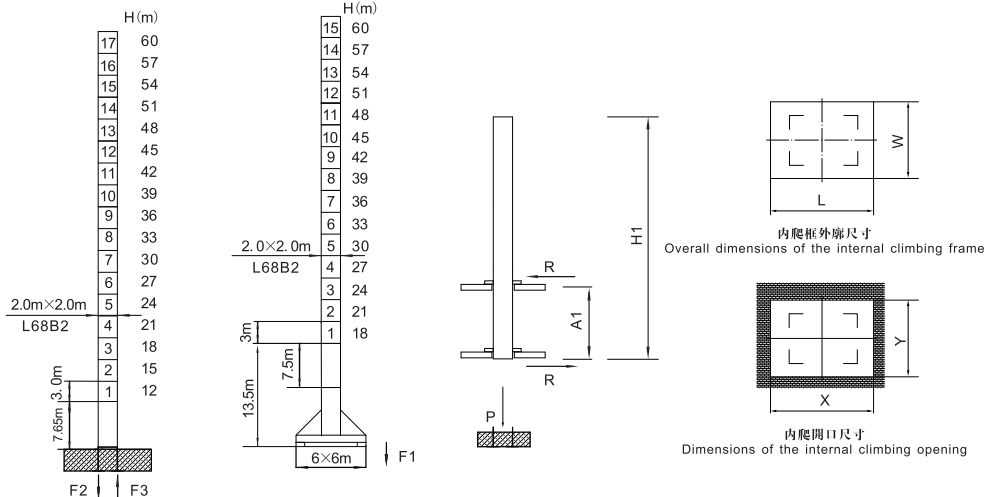
載荷表 Load Chart 雙小車 2-trolley

R (m)	倍率 Fall	R (Cmax) (m)	Cmax (t)	15	20	25	30	35	40	45	50	55	60	65	70
70	I	37.60	5.00	5.00	5.00	5.00	5.00	5.00	4.65	4.03	3.54	3.15	2.82	2.54	2.30
	IV	19.71	10.00	10.00	9.83	7.52	6.01	4.94	4.15	3.53	3.04	2.65	2.32	2.04	1.80
65	I	39.40	5.00	5.00	5.00	5.00	5.00	5.00	4.91	4.27	3.76	3.34	2.99	2.70	
	IV	20.63	10.00	10.00	10.00	7.95	6.36	5.24	4.41	3.77	3.26	2.84	2.49	2.20	
60	I	41.53	5.00	5.00	5.00	5.00	5.00	5.00	5.00	4.55	4.01	3.57	3.20		
	IV	21.72	10.00	10.00	10.00	8.46	6.79	5.60	4.73	4.05	3.51	3.07	2.70		
55	I	44.67	5.00	5.00	5.00	5.00	5.00	5.00	5.00	4.96	4.37	3.90			
	IV	23.32	10.00	10.00	10.00	9.21	7.41	6.14	5.19	4.46	3.87	3.40			
50	I	47.44	5.00	5.00	5.00	5.00	5.00	5.00	5.00	5.00	5.00	4.70			
	IV	24.74	10.00	10.00	10.00	9.88	7.96	6.60	5.60	4.82	4.20				
45	I	45.00	5.00	5.00	5.00	5.00	5.00	5.00	5.00						
	IV	27.86	10.00	10.00	10.00	10.00	9.17	7.63	6.49	5.60					
40	I	40.00	5.00	5.00	5.00	5.00	5.00	5.00	5.00						
	IV	26.56	10.00	10.00	10.00	10.00	8.92	7.42	6.30						
35	I	35.00	5.00	5.00	5.00	5.00	5.00	5.00							
	IV	26.56	10.00	10.00	10.00	10.00	8.66	7.20							
30	I	30.00	5.00	5.00	5.00	5.00	5.00								
	IV	25.88	10.00	10.00	10.00	10.00	8.40								

10T



### 塔身截面 Mast L68B2 反力 Reactions

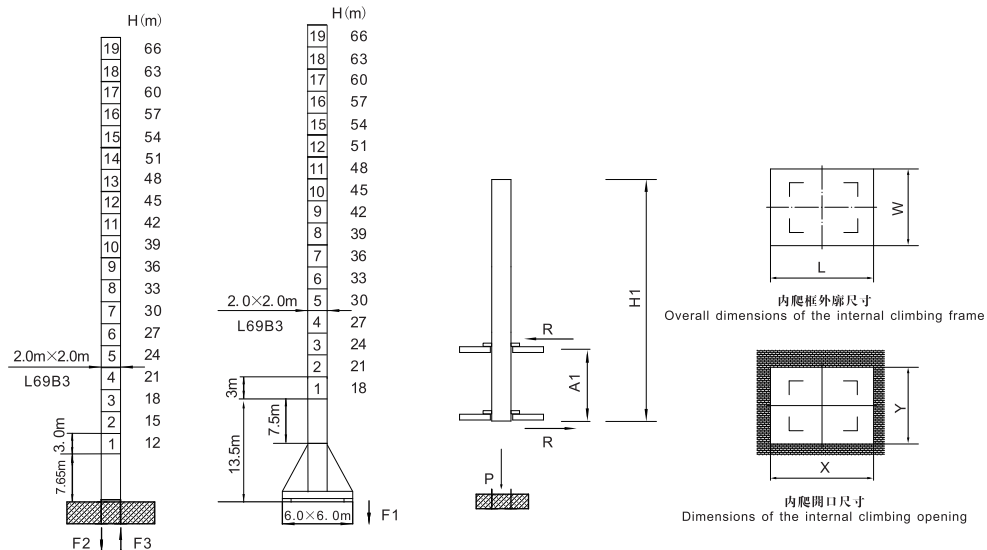


	●	■
F2	149t	222t
F3	98t	177t
⊕	78t	

	●	■
F1	87t	107t
⊕	90t	

塔身节 Mast	H1 (m)	A1 (m)	P (t)	R (t)	X (m)	Y (m)	L (m)	W (m)
L68B2	54	16	110.0	25	3.28	2.4	3.5	3.02

### 塔身截面 Mast L69B3 反力 Reactions



	●	■
F2	223t	273t
F3	153t	210t
⊕	97t	

	●	■
F1	139t	146t
⊕	111t	

塔身节 Mast	H1 (m)	A1 (m)	P (t)	R (t)	X (m)	Y (m)	L (m)	W (m)
L69B3	54	16	102.0	18	3.28	2.4	3.5	3.02

● 工作状态支反力 In service reaction      ■ 非工作状态支反力 Out of service reaction  
 ⊕ 整机自由高度重量 (不含平衡重及压重重量) Total weight of free standing crane (excludes counter weight & ballast)

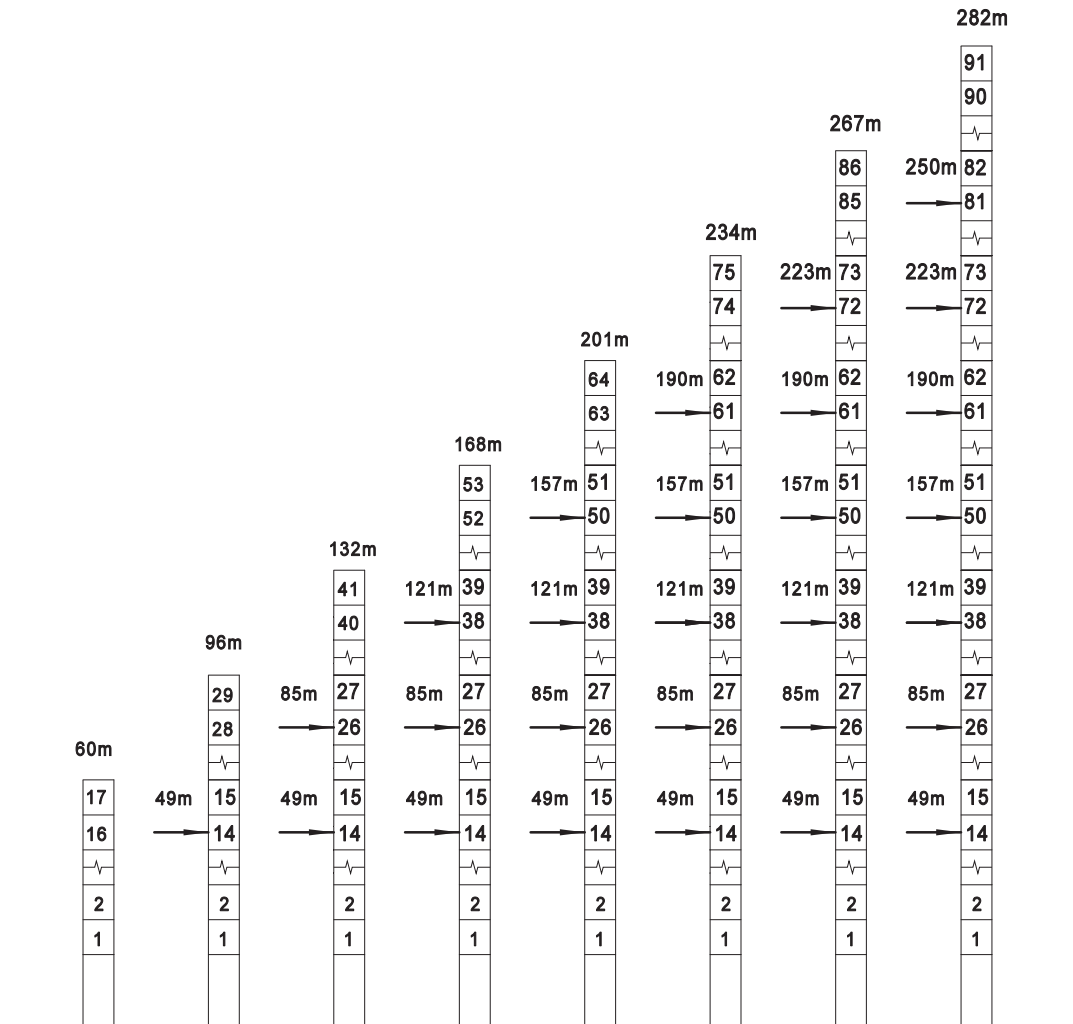
**12/10t**

## 附着 Anchoring

固定式附着高度 Anchoring height of stationary crane

塔身截面 Mast  $\square 2.0 \times 2.0\text{m}$

如需達到更高，請與我們聯系。When using height further, contact us please.



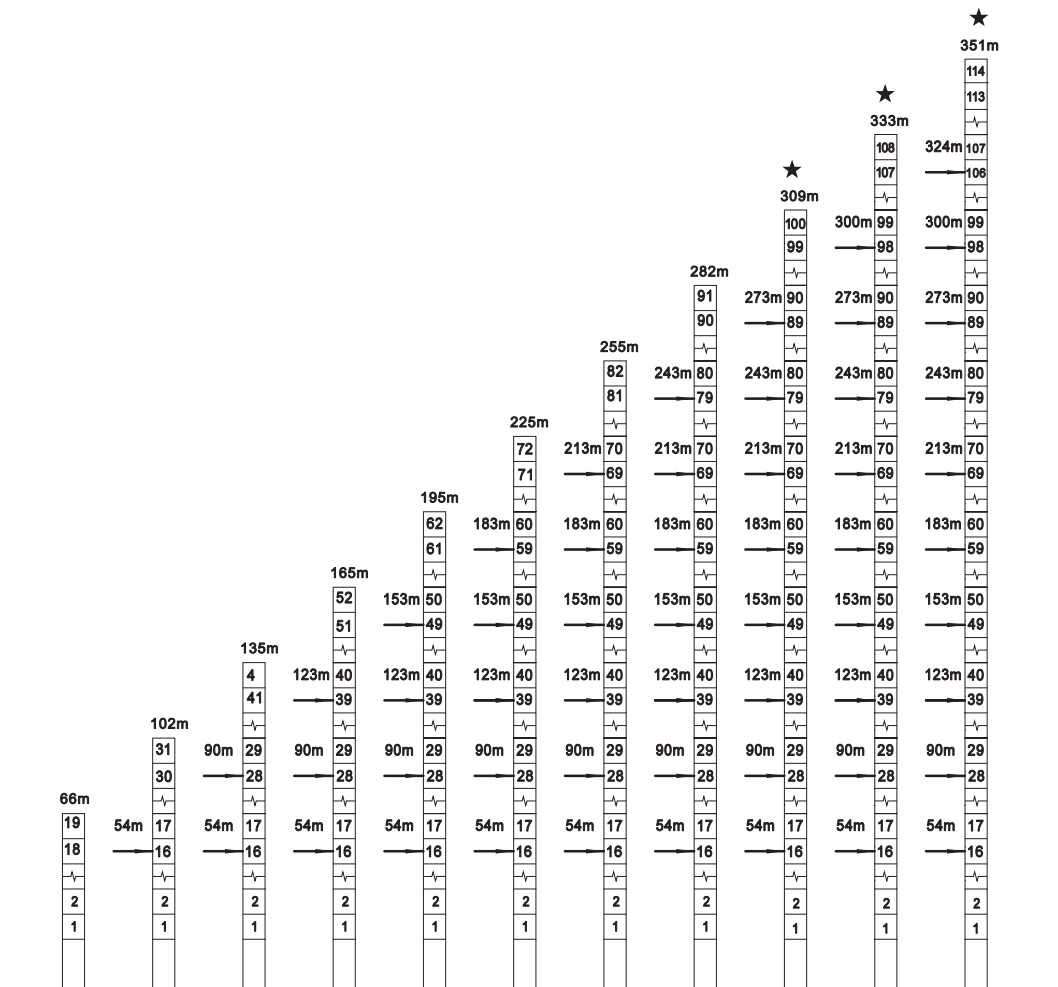
### 附着 Anchoring

固定式附着高度 Anchoring height of stationary crane

塔身截面 Mast □2.0×2.0m (L69B3)

如需達到帶★高度或更高，請與我們聯系。

When using ★ height or further, contact us please.



## 12/10t

### 主要性能參數 Specifications

机构 Mechanism							电动机 Motor kW	
		m/min	t	m/min	t			
	10t	55LVF25★	0-40 0-58 0-80	5.0 3.3 1.75	0-20 0-29 0-40	10.0 6.6 3.5	590m	45
		75LVF25B	0-40 0-80 0-120	5.0 2.5 1.25	0-20 0-40 0-60	10.0 5.0 2.5	590m	55
	12t	75LVF30★	0-45 0-68 0-90	6.0 3.0 1.5	0-22.5 0-34 0-45	12.0 6.0 3.0	670m	55
		100LVF30B	0-40 0-80 0-120	6.0 3.0 1.5	0-20 0-40 0-60	12.0 6.0 3.0	670m	75
	10t	BP5570X	0-64 m/min					5.5
	12t	BP7575X	0-60 m/min					7.5
	RVF7.5		0-0.7 rpm					2×7.5
	RCV145		0-0.7 rpm					2×145N·m
	RT		12.5-25 m/min					2×2.6/5.2

电压 Pressure	kVA			
380V (±10%) 50Hz	55LVF25: 88	75LVF25B: 101	75LVF30: 103	100LVF30B: 130

\* 與制造商聯系 Contact us, please.  
 ☆ 標準配置 Standard configuration.

本技術參數不受法律約束，技術諮詢請詳見相應說明書或聯系我們。  
 These specifications and data are not legally binding. For any technical information, please refer to corresponding instructions or contact us.