

LET'S MAKE ZERO-EMISSION REAL

RentalMatch Green Power

Dealer and Maintenance partner of:

JMG Cranes North Europe

Sales & Service Office

Ecologieweg 16

3433 LM Hendrik-Ido-Ambacht - Netherlands

t +31 651855113

t +31 613214166

e info@rentalmatch.eu

Production Plant

Via Sito Nuovo 14

29010 Sarmato (PC) - Italy

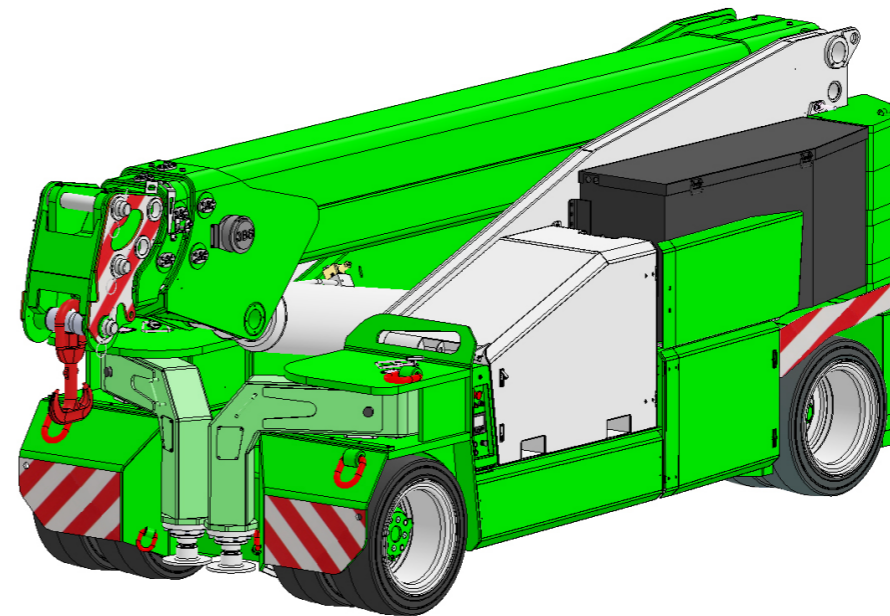


Data subject to change without prior notice
Edition 04/2020 © 2020 JMG Cranes S.p.A. All rights reserved
Rev.1 - 04/2020



RentalMatch
GREEN POWER

Electric
Pick & Carry
Cranes



MC 350S (metric)
Max Capacity
35,000 kg

www.RentalMatch.eu

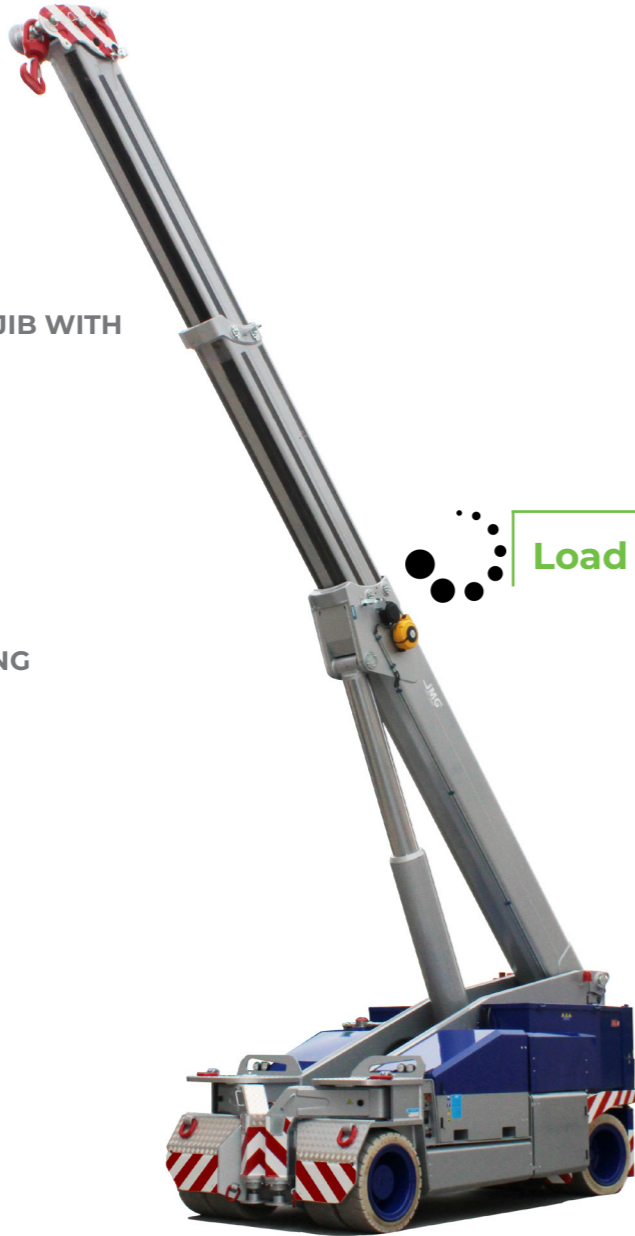


JMG[®]
movetosolution

MC 350S

FRONT-WHEELS DRIVE WITH COUNTER ROTATION
 HYDRAULICALLY TELESCOPING PROPORTIONAL TYPE BOOM
 REMOVABLE COUNTERWEIGHTS
 180° REAR STEERING

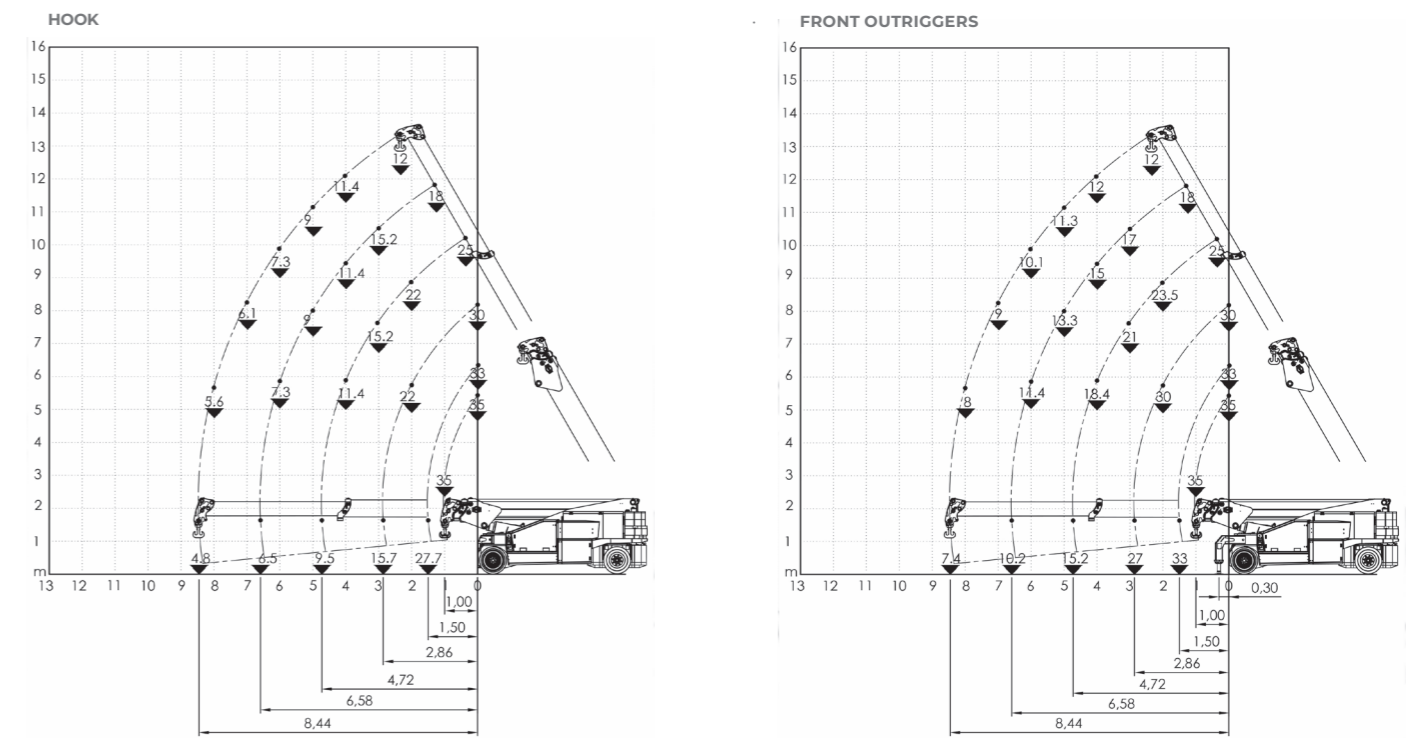
- Options :**
- HYDRAULIC WINCH
 - HYDRAULIC JIB
 - BENDABLE MANUAL JIB WITH MANUAL EXTENSION
 - NON-MARKING TIRES
 - FRONT OUTRIGGERS
 - HYDRAULIC FORKS
 - MAN BUCKET
 - ATEX CONVERSIONS
 - CUSTOMIZED PAINTING



Technical features

Max Capacity kg	35,000	Front-wheels drive. 2 electric motors AC 12 kW 96V Insulation class H	LMI Electronic safe load indicator and tilting moment limiter
	Dimensions mm	5170x2250x2295	Hydraulically foot controlled service brake on all wheels, hydraulically automatic or button controlled parking brake on front wheels
		96 V - 1395 Ah 8 working hours	Fabricated from preformed and welded quality steel plate
	Front nr. 4 superelastic 355/50-20" Rear nr. 4 superelastic 355/50-20"	Rear Steering angle -90°/+90°	+65°/-3°
		Motor driven pump 1x35 kW - 96 V AC, 1x23 kW - 96 AC.	

Load charts



EU Standards CE

	UNI ISO 4301-2: A1
	2006/42 CE-2014/30 UE-2014/35 UE- 2000/14 e and subsequent modifications
	EN 13000:2014 ANSI/ASME B30.5-2011 and subsequent modifications

Dimensions

