

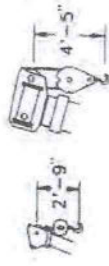


TEREX

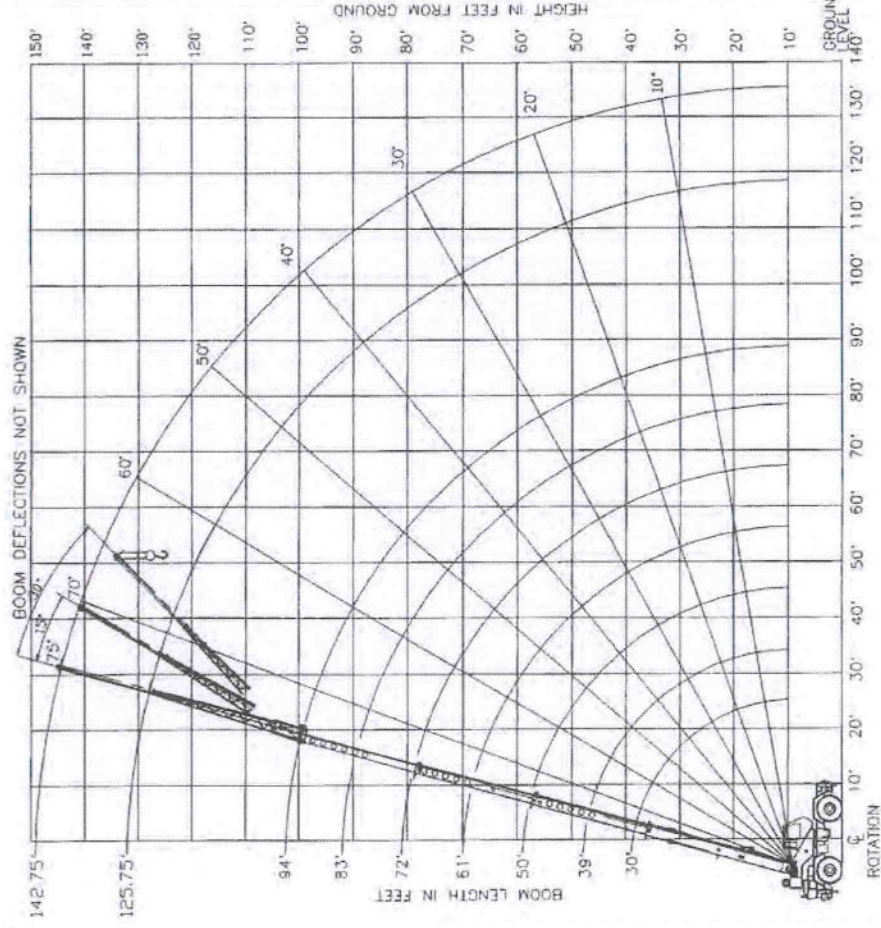
Range Diagram and Lifting Capacity | RT335-1

35 TON LIFTING CAPACITY

RANGE DIAGRAM 30' - 94' BOOM



DIMENSIONS ARE FOR LARGEST FACTORY FURNISHED HOOK BLOCK AND HOOK & BALL, WITH ANTI-TWO BLOCK ACTIVATED



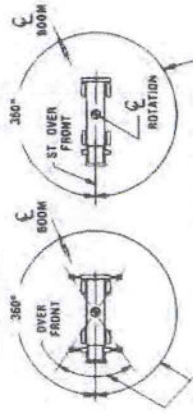
| | |
|----------------------|---|
| COUNTER WEIGHT | W/AUX. WHICH 8,900 LB W/O AUX. WHICH 10,000 LB |
| BOOM LENGTH | 30'-94' |
| OUTRIGGER SPREAD | 22' |
| STABILITY PERCENTAGE | ON OUTRIGGERS 85% ON TIRES 75% |
| PCSA CLASS | 10-166 |

CRANE WORKING CONDITIONS

CRANE WORKING CONDITIONS

WITH OUTRIGGERS

ON TIRES



THESE LINES DETERMINE THE LIMITS OF WORKING POSITIONS WHICH CORRESPOND TO THOSE SHOWN ON THE CRANE CAPACITY CHART.

REDUCTION IN MAIN BOOM CAPACITY

All jib in stowed position
Aux. boom in head sheave

0 lb
100 lb

HOOK BLOCK WEIGHTS

Hook and ball
Hook block (3 sheave)
Hook block (4 sheave)

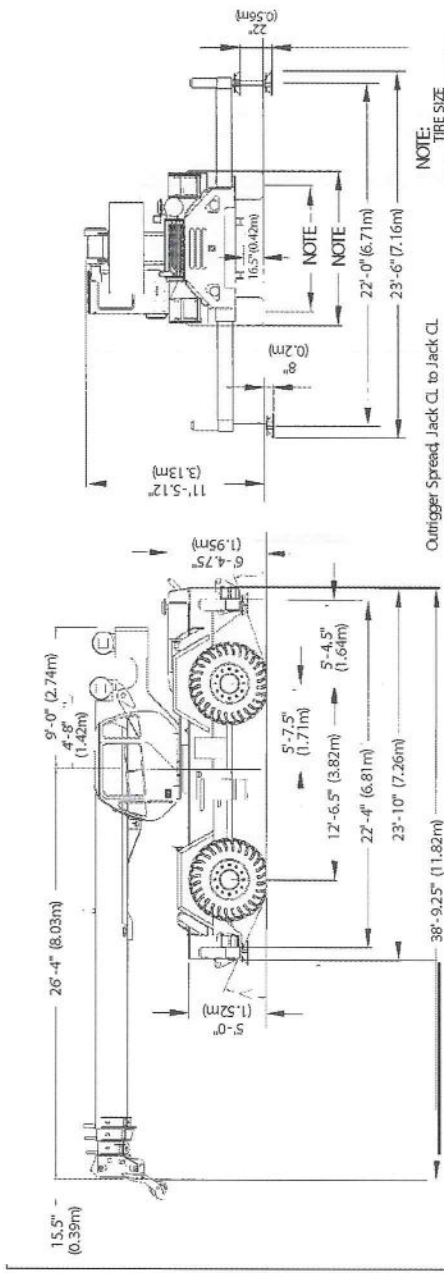
239 lb
670 lb
690 lb



TEREX

GENERAL DIMENSIONS

- Dimensions given assume the boom is fully retracted in travel position and 23.5R25 tires. Add 3.0" (76 mm) for 21.00x25 tires.
- Minimum ground clearance under: transmission-21.62" (549 mm)
axle bowls-18.65" (474 mm)
- Approach and departure angles: 23.5R25 21.00x25
Approach angle (A): 22° 28°
Departure angle (B): 18° 21°



| WEIGHTS & AXLE LOADS | GROSS WEIGHT LB | UPPER FACING FRONT | | GROSS WEIGHT KG | UPPER FACING REAR | |
|--|-----------------|--------------------|--------|-----------------|-------------------|--------|
| | | FRONT | REAR | | FRONT | REAR |
| Basic Crane with 10,000 lb (4536 kg) Counterweight | 63,260 | 30,388 | 32,872 | 28,694 | 13,784 | 14,910 |
| Add Options: | | | | | | |
| 32' (9.68 m) Swing-on jib (Stowed) | + 1,368 | + 1,814 | - 446 | + 621 | + 823 | - 202 |
| 32'-49" (9.68-14.86 m) Swing-on Jib (Stowed) | + 1,789 | + 2,147 | - 358 | + 811 | + 974 | - 163 |
| Auxiliary Boom Head | + 100 | + 260 | - 160 | + 45 | + 118 | - 73 |
| Auxiliary Winch Controls and Plumbing Only | + 75 | + 0 | + 75 | + 34 | + 0 | + 34 |
| Auxiliary Winch with Wire Rope, Controls, Etc. | + 264 | - 56 | + 320 | + 120 | - 25 | + 145 |
| 40T (36.3 mt) 4-Sheave Hook Block | + 690 | + 1,017 | - 327 | + 313 | + 461 | - 148 |
| 30T (27.2 mt) 3-Sheave Hook Block | + 670 | + 987 | - 317 | + 304 | + 448 | - 144 |
| 25T (22.7 mt) 2-Sheave Hook Block | + 682 | + 1,005 | - 323 | + 309 | + 456 | - 147 |
| 7T Hook and Ball (in tool box) | + 240 | + 261 | - 21 | + 109 | + 118 | - 9 |
| Pintle Hook, Front | + 45 | + 64 | - 19 | + 20 | + 29 | - 9 |
| Pintle Hook, Rear | + 45 | - 22 | + 67 | + 20 | - 10 | + 30 |
| Substitute: | | | | | | |
| 450' (137.2 m) of 18x19 class spin resistant | + 60 | - 39 | + 99 | + 27 | + 18 | + 45 |

Note: Weights are for Terex supplied equipment and are subject to 2% variation due to manufacturing tolerances.

Bigge Crane and Rigging Co.

10700 Bigge Avenue
 San Leandro, CA 94577
 Phone: (888) 337-BIGGE or (510) 638-8100
 Fax: (510) 639-4053
 Email: info@bigge.com
 Web site: www.bigge.com



TEREX

ROUGH TERRAIN CRANE
RT335-1

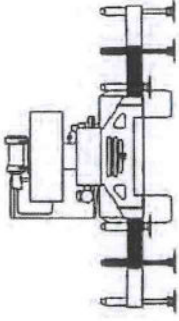
LIFTING CAPACITIES

CAUTION: Do not use this specification sheet as a load rating chart. The format of data is not consistent with the machine chart and may be subject to change

ON OUTRIGGERS - MID POSITION

| LOAD RADIUS (FT) | BOOM LENGTH 30' | | BOOM LENGTH 39' | | BOOM LENGTH 50' | |
|------------------|-------------------------|-----------|-------------------------|-----------|-------------------------|-----------|
| | LOADED BOOM ANGLE (DEG) | 360° (LB) | LOADED BOOM ANGLE (DEG) | 360° (LB) | LOADED BOOM ANGLE (DEG) | 360° (LB) |
| 10 | 63.0 | 70,000* | 69.4 | 46,600* | | 10 |
| 12 | 58.5 | 60,800* | 66.2 | 46,600* | 71.7 | 46,600* |
| 15 | 51.4 | 50,600* | 61.2 | 46,600* | 68.0 | 44,300* |
| 20 | 37.4 | 33,000 | 52.3 | 33,800 | 61.6 | 34,300 |
| 25 | 13.7 | 21,200 | 42.0 | 22,400 | 54.8 | 22,800 |
| 30 | ** | | 28.8 | 15,900 | 47.3 | 16,900 |
| 35 | | | ** | | 38.7 | 12,500 |
| 40 | | | | | 27.9 | 9,600 |
| 45 | | | | | 7.9 | 7,400 |
| 50 | | | | | ** | |
| 55 | | | | | | 50 |
| 60 | | | | | | 55 |
| 65 | | | | | | 60 |
| 70 | | | | | | 65 |
| 75 | | | | | | 70 |
| 80 | | | | | | 75 |
| 85 | | | | | | 80 |
| 90 | | | | | | 85 |
| 90 | | | | | | 90 |

USE THESE CHARTS ONLY WHEN ALL OUTRIGGERS ARE PINNED IN MID POSITION



| LOAD RADIUS (FT) | BOOM LENGTH 61' | | BOOM LENGTH 72' | | BOOM LENGTH 83' | | BOOM LENGTH 94' | |
|------------------|-------------------------|-----------|-------------------------|-----------|-------------------------|-----------|-------------------------|-----------|
| | LOADED BOOM ANGLE (DEG) | 360° (LB) | LOADED BOOM ANGLE (DEG) | 360° (LB) | LOADED BOOM ANGLE (DEG) | 360° (LB) | LOADED BOOM ANGLE (DEG) | 360° (LB) |
| 10 | | | | | | | | 10 |
| 12 | | | | | | | | 12 |
| 15 | 72.1 | 38,100* | | | | | | 15 |
| 20 | 67.1 | 33,000* | 70.8 | 27,400* | | | | 20 |
| 25 | 61.9 | 23,100 | 66.5 | 23,100* | 69.8 | 21,800* | 72.2 | 17,500* |
| 30 | 56.3 | 16,800 | 62.0 | 17,000 | 86.0 | 17,100 | 69.0 | 15,000* |
| 35 | 50.4 | 12,800 | 57.4 | 12,900 | 62.2 | 13,100 | 65.7 | 13,100* |
| 40 | 43.9 | 10,000 | 52.5 | 10,200 | 58.1 | 10,300 | 62.2 | 10,400 |
| 45 | 36.5 | 7,900 | 47.2 | 8,100 | 53.9 | 8,300 | 58.7 | 8,300 |
| 50 | 27.3 | 6,300 | 41.4 | 6,600 | 49.5 | 6,700 | 55.1 | 6,800 |
| 55 | 13.0 | 5,000 | 34.8 | 5,300 | 44.7 | 5,500 | 51.2 | 5,600 |
| 60 | ** | | 26.9 | 4,300 | 39.5 | 4,500 | 47.2 | 4,600 |
| 65 | | | 15.5 | 3,400 | 33.6 | 3,600 | 42.8 | 3,700 |
| 70 | | | ** | | 26.6 | 2,900 | 38.0 | 3,000 |
| 75 | | | | | 17.0 | 2,300 | 32.7 | 2,400 |
| 80 | | | | | ** | | 26.4 | 1,900 |
| 85 | | | | | | | 18.1 | 1,400 |
| 90 | | | | | | | ** | |

**MAXIMUM CAPACITY AT 0 DEGREE BOOM ANGLE

| LOAD RADIUS (FT) | BOOM LENGTH 39' | | BOOM LENGTH 50' | | BOOM LENGTH 61' | | BOOM LENGTH 72' | | BOOM LENGTH 83' | | BOOM LENGTH 94' | | |
|------------------|------------------|-----------|------------------|-----------|------------------|-----------|------------------|-----------|------------------|-----------|------------------|-----------|-------|
| | LOAD RADIUS (FT) | 360° (LB) | LOAD RADIUS (FT) | 360° (LB) | LOAD RADIUS (FT) | 360° (LB) | LOAD RADIUS (FT) | 360° (LB) | LOAD RADIUS (FT) | 360° (LB) | LOAD RADIUS (FT) | 360° (LB) | |
| 25.6 | 20,100 | 34.3 | 12,100 | 34.3 | 7,300 | 45.3 | 7,300 | 56.3 | 4,700 | 67.3 | 3,000 | 78.3 | 1,900 |
| | | | | | | | | | | | | 89.3 | 1,000 |



ROUGH TERRAIN CRANE
RT335-1

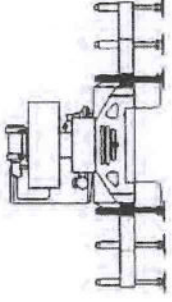
LIFTING CAPACITIES

CAUTION: Do not use this specification sheet as a load rating chart. The format of data is not consistent with the machine chart and may be subject to change

ON OUTRIGGERS - RETRACTED

| LOAD RADIUS (FT) | BOOM LENGTH 30' | | BOOM LENGTH 39' | | BOOM LENGTH 50' | | LOAD RADIUS (FT) |
|------------------------|----------------------------------|--------------|----------------------------------|--------------|----------------------------------|--------------|------------------------|
| | LOADED BOOM ANGLE (DEG) | 360° (LB) | LOADED BOOM ANGLE (DEG) | 360° (LB) | LOADED BOOM ANGLE (DEG) | 360° (LB) | |
| 10 | 63.0 | 51,000 | 69.4 | 46,600* | | | 10 |
| 12 | 58.5 | 35,800 | 66.2 | 36,500 | 71.7 | 37,100 | 12 |
| 15 | 51.4 | 23,800 | 61.2 | 24,500 | 68.0 | 25,000 | 15 |
| 20 | 37.4 | 14,000 | 52.3 | 14,800 | 61.6 | 15,300 | 20 |
| 25 | 13.7 | 8,800 | 42.0 | 9,800 | 54.8 | 10,400 | 25 |
| 30 | ** | | 28.8 | 6,700 | 47.3 | 7,300 | 30 |
| 35 | | | ** | | 38.7 | 5,200 | 35 |
| 40 | | | | | 27.9 | 3,700 | 40 |
| 45 | | | | | 7.9 | 2,400 | 45 |
| 50 | | | | | ** | | 50 |
| 55 | | | | | ** | | 55 |
| 60 | | | | | ** | | 60 |

USE THESE CHARTS WHEN ALL
OUTRIGGER BEAMS ARE NOT IN
EITHER THE MID OR FULLY
EXTENDED POSITION



| LOAD RADIUS (FT) | BOOM LENGTH 61' | | BOOM LENGTH 72' | | BOOM LENGTH 83' | | BOOM LENGTH 94' | | LOAD RADIUS (FT) |
|------------------------|----------------------------------|--------------|----------------------------------|--------------|----------------------------------|--------------|----------------------------------|--------------|------------------------|
| | LOADED BOOM ANGLE (DEG) | 360° (LB) | LOADED BOOM ANGLE (DEG) | 360° (LB) | LOADED BOOM ANGLE (DEG) | 360° (LB) | LOADED BOOM ANGLE (DEG) | 360° (LB) | |
| 10 | | | | | | | | | 10 |
| 12 | | | | | | | | | 12 |
| 15 | 72.1 | 25,300 | | | | | | | 15 |
| 20 | 67.1 | 15,600 | 70.8 | 15,800 | | | | | 20 |
| 25 | 61.9 | 10,600 | 66.5 | 10,800 | 69.8 | 10,900 | 72.2 | 11,000 | 25 |
| 30 | 56.3 | 7,600 | 62.0 | 7,800 | 66.0 | 7,900 | 69.0 | 8,000 | 30 |
| 35 | 50.4 | 5,500 | 57.4 | 5,700 | 62.2 | 5,800 | 65.7 | 5,900 | 35 |
| 40 | 43.9 | 4,000 | 52.5 | 4,200 | 58.1 | 4,400 | 62.2 | 4,500 | 40 |
| 45 | 36.5 | 2,900 | 47.2 | 3,100 | 53.9 | 3,300 | 58.7 | 3,400 | 45 |
| 50 | 27.3 | 2,000 | 41.4 | 2,200 | 49.5 | 2,400 | 55.1 | 2,500 | 50 |
| 55 | 13.0 | 1,200 | 34.8 | 1,500 | 44.7 | 1,700 | 51.2 | 1,800 | 55 |
| 60 | ** | | 26.9 | 900 | 39.5 | 1,100 | 47.2 | 1,200 | 60 |

****MAXIMUM CAPACITY AT 0 DEGREE BOOM ANGLE**

| LOAD RADIUS (FT) | BOOM LENGTH 39' | | BOOM LENGTH 50' | | BOOM LENGTH 61' | | BOOM LENGTH 72' | | BOOM LENGTH 83' | | BOOM LENGTH 94' | |
|------------------------|------------------------|--------------|------------------------|--------------|------------------------|--------------|------------------------|--------------|------------------------|--------------|------------------------|--------------|
| | LOAD RADIUS (FT) | 360° (LB) | LOAD RADIUS (FT) | 360° (LB) | LOAD RADIUS (FT) | 360° (LB) | LOAD RADIUS (FT) | 360° (LB) | LOAD RADIUS (FT) | 360° (LB) | LOAD RADIUS (FT) | 360° (LB) |
| 25.6 | 8,200 | 34.3 | 4,700 | 45.3 | 2,300 | 56.3 | 1,000 | | | | | |



TEREX

ROUGH TERRAIN CRANE
RT335-1

LIFTING CAPACITIES CAUTION: Do not use this specification sheet as a load rating chart. The format of data is not consistent with the machine chart and may be subject to change

SIDE STOW JIB ON FULLY EXTENDED OUTRIGGERS

| LOADED BOOM ANGLE (DEG) | 26° OFFSET TABLE JIB AND PULL OUT INSTALLED | | | | 43° OFFSET TABLE JIB PULL OUT RETRACTED | | | | | | | | |
|-------------------------|---|-----------|-----------------------|-----------|---|-----------|-----------------------|-----------|-----------------------|-----------|-----|--------|----|
| | 0° OFFSET | | 15° OFFSET | | 30° OFFSET | | 15° OFFSET | | 30° OFFSET | | | | |
| | LOAD RADIUS (RE) (FT) | 360° (LB) | LOAD RADIUS (RE) (FT) | 360° (LB) | LOAD RADIUS (RE) (FT) | 360° (LB) | LOAD RADIUS (RE) (FT) | 360° (LB) | LOAD RADIUS (RE) (FT) | 360° (LB) | | | |
| 75 | 38 | 9,100* | 46 | 7,700* | 52 | 5,900* | 41 | 5,100* | 55 | 3,400* | 62 | 2,700* | 75 |
| 73 | 42 | 8,600* | 49 | 7,300* | 55 | 5,800* | 47 | 4,800* | 59 | 3,300* | 68 | 2,700* | 73 |
| 71 | 45 | 8,200* | 52 | 7,000* | 58 | 5,600* | 52 | 4,500* | 64 | 3,200* | 73 | 2,600* | 71 |
| 68 | 50 | 7,800* | 58 | 6,200* | 63 | 5,100* | 60 | 4,100* | 70 | 3,000* | 79 | 2,500* | 68 |
| 65 | 56 | 7,000* | 63 | 5,500* | 66 | 4,600* | 66 | 3,800* | 76 | 2,900* | 84 | 2,500* | 65 |
| 62 | 61 | 5,900* | 68 | 4,900* | 73 | 4,200* | 71 | 3,600* | 81 | 2,800* | 88 | 2,400* | 62 |
| 59 | 66 | 5,200* | 73 | 4,400* | 77 | 3,800* | 77 | 3,400* | 86 | 2,700* | 93 | 2,400* | 59 |
| 55 | 73 | 4,400* | 79 | 3,900* | 83 | 3,400* | 84 | 3,100* | 93 | 2,600* | 99 | 2,300* | 55 |
| 51 | 79 | 3,800* | 85 | 3,400* | 88 | 3,100* | 91 | 2,900* | 99 | 2,500* | 105 | 2,300* | 51 |
| 47 | 86 | 3,300* | 91 | 3,000* | 94 | 2,800* | 100 | 2,800* | 106 | 2,400* | 110 | 2,200* | 47 |
| 43 | 92 | 2,900* | 97 | 2,700* | 99 | 2,500* | 109 | 2,400* | 112 | 2,200* | 116 | 2,000* | 43 |
| 38 | 100 | 2,400* | 103 | 2,300* | 105 | 2,200* | 116 | 2,100* | 119 | 1,900* | 122 | 1,800* | 38 |
| 32 | 106 | 2,100* | 109 | 2,000* | 110 | 1,900* | 122 | 1,800* | 126 | 1,600* | 127 | 1,500* | 32 |
| 25 | 113 | 1,700* | 114 | 1,700* | | | 129 | 1,500* | 131 | 1,400* | | | 25 |
| 17 | 118 | 1,500* | 118 | 1,500* | | | 133 | 1,300* | 135 | 1,200* | | | 17 |
| 0 | 121 | 1,200* | | | | | 138 | 1,000* | | | | | 0 |

Notes For Jib Capacities:

- A. For all boom lengths less than the maximum with a jib erected, the rated loads are determined by boom angle only in the appropriate column.
- B. For boom angle not shown, use the capacity of the next lower boom angle.
- C. Listed radii are for extended main boom only.

ON TIRES

| RADIUS (FT) | MAX BOOM LENGTH (FT) | 23.5R25** | | | | 21.00 X 25-28PR | | | |
|-------------|----------------------|------------|---------|---------------------|---------|-----------------|---------|---------------------|-------|
| | | 360° | | STRAIGHT OVER FRONT | | 360° | | STRAIGHT OVER FRONT | |
| | | STATIONARY | CREEP | STATIONARY | CREEP | STATIONARY | CREEP | STATIONARY | CREEP |
| 10 | 30 | 30,900 | 63,700* | 46,700* | 39,000* | 73,700* | 56,000* | 47,400* | |
| 12 | 30 | 24,900 | 55,500 | 40,600* | 33,800* | 64,500* | 48,900* | 41,200* | |
| 15 | 39 | 19,100 | 43,100 | 33,800* | 27,800* | 46,600 | 40,700* | 34,100* | |
| 20 | 39 | 12,400 | 24,600 | 20,900* | 18,900 | 24,900 | 24,900 | 16,500 | |
| 25 | 50 | 8,400 | 16,400 | 16,400 | 16,100 | 16,500 | 16,500 | 16,500 | |
| 30 | 50 | 5,600 | 12,500 | 12,500 | 12,500 | 12,600 | 12,600 | 12,600 | |
| 35 | 50 | 4,300 | 9,600 | 9,600 | 9,600 | 9,600 | 9,600 | 9,600 | |
| 40 | 61 | 3,000 | 7,500 | 7,500 | 7,500 | 7,600 | 7,600 | 7,600 | |
| 45 | 61 | 2,300 | 6,100 | 6,100 | 6,100 | 6,200 | 6,200 | 6,200 | |
| 50 | 61 | 1,600 | 5,000 | 5,000 | 5,000 | 5,200 | 5,200 | 5,200 | |
| 55 | 61 | 1,600 | 4,300 | 4,300 | 4,300 | 4,300 | 4,300 | 4,300 | |
| 60 | 72 | | 3,500 | 3,500 | 3,500 | 3,600 | 3,600 | 3,600 | |
| 65 | 72 | | 2,800 | 2,800 | 2,800 | 2,800 | 2,800 | 2,800 | |
| 70 | 83 | | 2,200 | 2,200 | 2,200 | 2,200 | 2,200 | 2,200 | |
| 75 | 83 | | 1,800 | 1,800 | 1,800 | 1,900 | 1,900 | 1,900 | |
| 80 | 94 | | 1,500 | 1,500 | 1,500 | 1,500 | 1,500 | 1,500 | |

Notes For On The Capacities:

- A. For Pick and Carry operations, boom must be centered over the front of the crane with swing brake and lock engaged. Use minimum boom point height and keep load close to ground surface.
- B. The load should be restrained from swinging. NO ON TIRE OPERATION WITH JIB ERECTED.
- C. Without outriggers, never maneuver the boom beyond listed load radii for applicable tires to ensure stability.
- D. Creep speed is crane movement of less than 200' (61m) in a 30 minute period and not exceeding 1.0 mph (1.6 km/h).
- E. Refer General Notes for additional information.

RECOMMENDED TIRE PRESSURE

| TIRE SIZE | STATIONARY | CREEP | 2 1/2 MPH | TRAVEL |
|------------------|------------|--------|-----------|--------|
| 23.5R25 ** | 24 PSI | 94 PSI | 94 PSI | 76 PSI |
| 21.00 X 25-28 PR | 85 PSI | 85 PSI | 85 PSI | 65 PSI |

MAXIMUM PERMISSIBLE HOIST LINE LOAD

| LINE PARTS | 1 | 2 | 3 | 4 | 5 | 6 | 7 | 8 |
|------------|-------|--------|--------|--------|---------|---------|-----------|-----------|
| MAX LOAD | 9,080 | 18,160 | 27,240 | 36,320 | 45,400 | 54,480 | 63,560 | 72,640 |
| BOOM HEAD | 2 | 3-0 | 2-3-4 | 1-4-0 | 2-3-4-0 | 1-2-3-4 | 1-2-3-4-0 | 1-2-3-4-0 |
| HOOK BLOCK | 0 | 3 | 3-0 | 1-4 | 2-3-0 | 2-3-4 | 2-3-4-0 | 1-2-3-4 |

WIRE ROPE: 5/8" ROTATION RESISTANT COMPACTED STRAND, 18X19
OR 19X1.9 MINIMUM BREAKING STRENGTH - 22.7 TONS
5/8" 6X19 OR 6X37 IWPC IPS PREFORMED RIGHT
REGULAR LAY MINIMUM BREAKING STRENGTH - 17.9 TONS



TEREX

General Notes | RT300 Series

GENERAL

- Rated loads as shown on Lift Charts pertain to this machine as originally manufactured and equipped. Modifications to the machine or use of optional equipment or other than that specified can result in a reduction of capacity.
- Construction equipment can be hazardous if improperly operated or maintained. Operation and maintenance of this machine shall be in compliance with the information in the Operator's, Parts and Safety Manuals supplied with this machine. If these manuals are missing, order replacements from the manufacturer through your distributor.
- These warnings to not constitute all of the operating conditions for the crane. The operator and job site supervision must read the OPERATORS MANUAL, CIMA SAFETY MANUAL, APPLICABLE OSHA REGULATIONS, AND SOCIETY OF MECHANICAL ENGINEERS (ASME) SAFETY STANDINGS FOR CRANES.
- This crane and its load ratings are in accordance with POWER CRANE & SHOVEL ASSOCIATION, STANDARD NO.4 SAE CRANE LOAD STABILITY TEST CODE J765A, SAE METHOD OF TEST FOR CRANE STRUCTURE J1063 AND APPLICABLE SAFETY CODE FOR CRANES, DERRICKS AND HOISTS, ASME/ANSI B30.5.

DEFINITIONS

- LOAD RADIUS** - The horizontal distance from the axis of rotation before loading to the center of the vertical hoist line or tackle with a load applied.
- LOADED BOOM ANGLE** - It is the angle between the boom base section and the horizontal, after lifting the rated load at the rated radius, the boom angle before loading should be greater to account for deflections. The loaded boom angle combined with boom length give only an approximation of the operating radius.
- WORKING AREA** - Areas measured in a circular arc about the centerline of rotation as shown in the diagram.
- FREELY SUSPENDED LOAD** - Load hanging free with no direct external force applied except by the hoist rope.
- SIDE LOAD** - Horizontal force applied to be lifted load either on the ground or in the air.
- NO LOAD STABILITY LIMIT** - The stability limit radius shown on the range diagrams is the radius beyond which it is not permitted to position the boom, when the boom angle is less than the minimum shown on the applicable load chart, because the machine can overturn without any load.
- BOOM SIDE OF CRANE** - The side of the crane over which the boom is positioned when in OVER SIDE working position.

SET-UP

- Crane load ratings are based on the crane being leveled and standing on a firm, uniform supporting surface.
- Crane load ratings on outriggers are based on all outrigger beams being fully extended or in the case of partial extension ratings mechanically pinned in the appropriate position, and the tires free of the supporting surface.
- Crane load ratings on tires depend on appropriate inflation pressure and the tire conditions. Caution must be exercised when increasing air pressures in tires. Consult Operator's Manual for precautions.
- Use of jibs, lattice-type boom extensions, or fourth section pullouts extended is not permitted for pick and carry operations.
- Consult appropriate section of the Operator's and Service Manual for more exact description of hoist line reeving.
- The use of more parts of line than required by the load may result in having insufficient rope to allow the hook block to reach the ground.
- Properly maintained wire rope is essential for safe crane operation. Consult Operator's Manual for proper maintenance and inspection requirements.
- When spin-resistant wire rope is used, the allowable rope loading shall be the breaking strength divided by five (5), unless otherwise specified by the wire rope manufacturer.
- Do not elevate the boom above 60° unless the boom is positioned in-line with the crane's chassis or the outrigger are extended. Failure to observe this warning may result in loss of stability.

OPERATION

- CRANE LOAD RATINGS MUST NOT BE EXCEEDED. DO NOT ATTEMPT TO TIP THE CRANETO DETERMINE ALLOWABLE LOADS.
- When either radius or boom length, or both, are between listed values, the smaller of the two listed load ratings shall be used.
- Do not operate at longer radii than those listed on the applicable load rating chart (cross hatched areas shown on range diagrams.)
- The boom angles shown on the Capacity Chart give an approximation of the operating radius for a specified boom length. The boom angle, before loading, should be greater to account for boom deflection. It may be necessary to retract the boom if maximum boom angle is insufficient to maintain rated radius.
- Power telescoping boom sections must be extended equally.
- Rated loads include the weight of hook block, slings, and auxiliary lifting devices. Their weights shall be subtracted from the listed rated load to obtain the net load that can be lifted. When lifting over the jib the weight of any hook block, slings, and auxiliary lifting devices at the boom head must be added to the load. When jibs are erected but unused add two (2) times the weight of any hook block, slings, and auxiliary lifting devices at the jib head to the load.
- Rated loads do not exceed 85% on outriggers or 75% on tires, of the tipping load as determined by SAE Crane Stability Test Code J765a. Structural strength ratings in chart are indicated with an asterisk (*).
- Rated loads are based on freely suspended loads. No attempt shall be made to drag a load horizontally on the ground in any direction.
- The user shall operate at reduced ratings to allow for adverse job conditions, such as: soft or uneven ground, out of level conditions, high winds, side loads, pendulum action, jerking or sudden stopping of loads, hazardous conditions, experience of personnel, two machine lifts, traveling with loads, electric wires, etc. (side pull on boom or jib is hazardous). Derating of the cranes lifting capacity is required when wind speed exceeds 20 MPH. The center of the lifted load must never be allowed to move more than 3' off the center line of the base boom section due to the effects of wind, inertia, or any combination of the two.
- *Use 2' off the center line of the base boom for a two section boom, 3' for a three section boom, or 4' for a four section boom.
- The maximum load which can be telescoped is not definable, because of variations in loadings and crane maintenance, but it is permissible to attempt retraction and extension if load ratings are not exceeded.
- Load ratings are dependent upon the crane being maintained according to manufacturer's specifications.
- It is recommended that load handling devices, including hooks, and hook blocks, be kept away from boom head at all times.
- FOR TRUCK CRANES ONLY: 360° capacities apply only to machines equipped with a front outrigger jack and all five(5) outrigger jacks properly set. If the front (5th) outrigger jack is not properly set, the work area is restricted to the over side and over rear areas as shown on the Crane Working Positions diagram. Use the 360° load ratings in the over side work areas.
- Do not lift with outrigger beams positioned between the fully extended and intermediate (pinned) positions.
- Truck Cranes not equipped with equalizing (bogie) beams between the rear axes may not be used for lifting "on tires." Truck Cranes equipped with equalizing beams and rear air suspension should "dump" the air before lifting "on tires".

CLAMSHELL, MAGNET, AND CONCRETE BUCKET SERVICE

- Maximum boom length for clamshell and magnet service is 50'.
- Weight of clamshell or magnet, plus contents are not to exceed 6,000 lb or 90% of rated lifting capacities, whichever is less. For concrete bucket operation, weight of bucket and load must not exceed 90% of rated lifting capacity.