

Edition 04/2020 © 2020 JMG Cranes S.p.A. All rights reserved
Data subject to change without prior notice
Rev. 1 - 04/2020



Electric Pick & Carry Cranes

JMG Cranes S.p.A.

Sales & Service Office

Via Bergamo, 142

26100 Cremona - Italy

t +39 0372 1786738

Production Plant

Via Sito Nuovo 14

29010 Sarmato (PC) - Italy

t +39 0523 8486

e info@jmgcranes.com



MC 100RE (inch)
Max Capacity
10,000 Kg

www.jmgcranes.com



MC 100RE

360° CONTINUOUS AND UNLIMITED HYDRAULIC SLEWING BOOM

FRONT AND REAR HORIZONTALLY AND VERTICALLY WORKING
INDEPENDENT OUTRIGGERS

FULLY RADIO-CONTROLLED

CARRY DECK SLEWING CRANE

Options :

- HYDRAULIC JIB WITH HYDRAULIC EXTENSION
- NON-MARKING TIRES
- MAN BUCKET
- ATEX CONVERSIONS
- CUSTOMIZED PAINTING



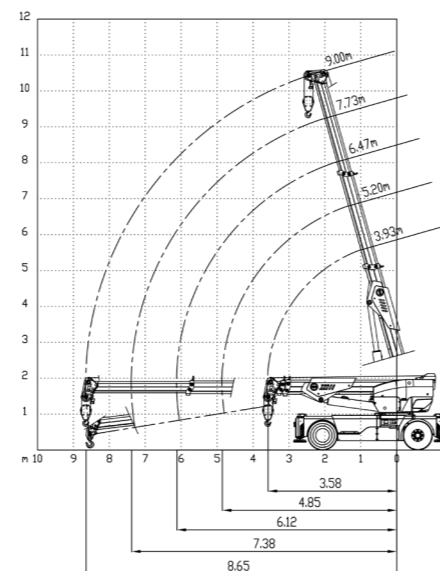
Max Capacity kg	10.000
Dimensions mm	4150x1850x1980



Technical features

Front-wheels drive. 2 electric motors AC 8,5 kW 80V Insulation class H	LMI. Electronic safe load indicator and tilting moment limiter
Total Kg. 12,000	Automatic braking system on front and rear wheels
80 V - 920 Ah Autonomy 8 working hours	Fabricated from preformed and welded steel plate
Front n.4 superelastic 365-65-15" Rear n.2superelastic 300-15"	Boom inclination angle +74°/-7°
Rear by steering axle. Steering angle -92° / +92	Motor driven pump 20 kW - 80 V AC.

Load charts



Height (m)	0° FRONT NO						0° FRONT YES						0° SIDE 700mm						0° REAR YES					
	3,93m	5,20m	6,47m	7,73m	9,00m	3,93m	5,20m	6,47m	7,73m	9,00m	3,93m	5,20m	6,47m	7,73m	9,00m	3,93m	5,20m	6,47m	7,73m	9,00m				
1,10m	10					10					10					10								
1,50m	10	10				10	10				10	10				10	10							
2,00m	10	10	10			10	10	10			10	10	10			10	10	10						
2,50m	10	10	10	8,5	7	10	10	10	8,5	7	10	10	10	8,5	7	10	10	10	8,5	7				
3,00m	10	10	8,6	7,1	6	10	10	8,6	7,1	6	10	8,2	8,2	8,15	7,1	6	8,1	8,1	8,1	7,1	6			
3,58m	7,65	7,9	7,4	6,1	5,1	10	9,8	7,5	6	5,1	5,8	5,8	5,8	5,8	5,1	6	6	6	6	5,1				
4,00m		5,9	5,9	5,6	4,4		8,8	6,6	5,5	4,4		4,65	4,65	4,6	4,4		5	5	4,9	4,4				
4,85m		3,9	3,9	4	3,6		7,2	5,6	4,4	4		3,35	3,35	3,3	3,3		3,7	3,7	3,7	3,65				
5,00m			3,65	3,65	3,5			5,3	4,3	3,5			3,15	3,15	3,15			3,5	3,5	3,5				
5,50m			3	3	3			4,8	3,9	3,2				2,7	2,65	2,65			3	3	3			
6,12m			2,5	2,5	2,5			4,4	3,7	2,8				2,25	2,25	2,25				2,6	2,6			
6,50m				2,25	2,25				3,3	2,7				2	2					2,35	2,35			
7,00m				1,95	1,95				3	2,5					1,8	1,75				2,1	2,1			
7,38m				1,75	1,75				2,9	2,3					1,6	1,6				1,95	1,95			



EU Standards CE

	UNI ISO 4301-2: A1
	2006/42 CE-2014/30 UE-2014/35 UE- 2000/14 e and subsequent modifications
	EN 13000:2014 ANSI/ASME B30.5-2011 and subsequent modifications



Dimensions

