

LET'S MAKE ZERO-EMISSION REAL

RentalMatch Green Power

Dealer and Maintenance partner of:

JMG Cranes North Europe

Sales & Service Office

Ecologieweg 16

3433 LM Hendrik-Ido-Ambacht - Netherlands

t +31 651855113

t +31 613214166

e info@rentalmatch.eu

Production Plant

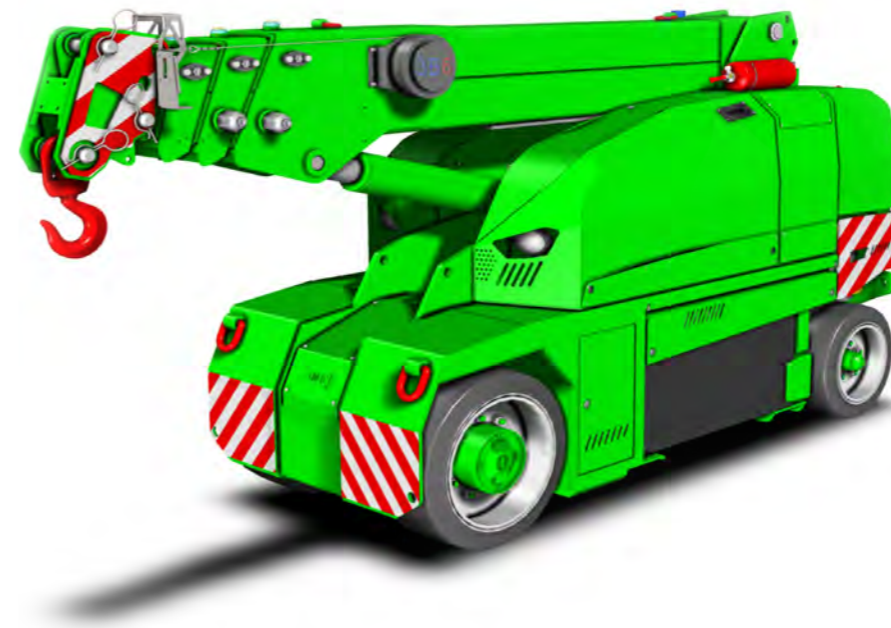
Via Sito Nuovo 14

29010 Sarmato (PC) - Italy




RentalMatch
GREEN POWER

Electric
Pick & Carry
Cranes



MC 45SB (metric)
Max Capacity 4,500 Kg

www.RentalMatch.eu

JMG[®]
movetosolution

MC 45SB

RADIO-REMOTE CONTROL ON DRIVING, STEERING, BOOM MOVEMENTS, WINCH AND OTHER ACCESSORIES

FRONT-WHEELS DRIVE WITH COUNTER ROTATION

REMOVABLE COUNTERWEIGHTS

HYDRAULICALLY TELESCOPING SEQUENTIAL TYPE BOOM

Options :

- HYDRAULIC WINCH
- HYDRAULIC FLY JIB
- BENDABLE MANUAL JIB WITH MANUAL EXTENSION
- NON-MARKING TIRES
- HYDRAULIC FORKS
- ATEX CONVERSIONS
- CUSTOMIZED PAINTING



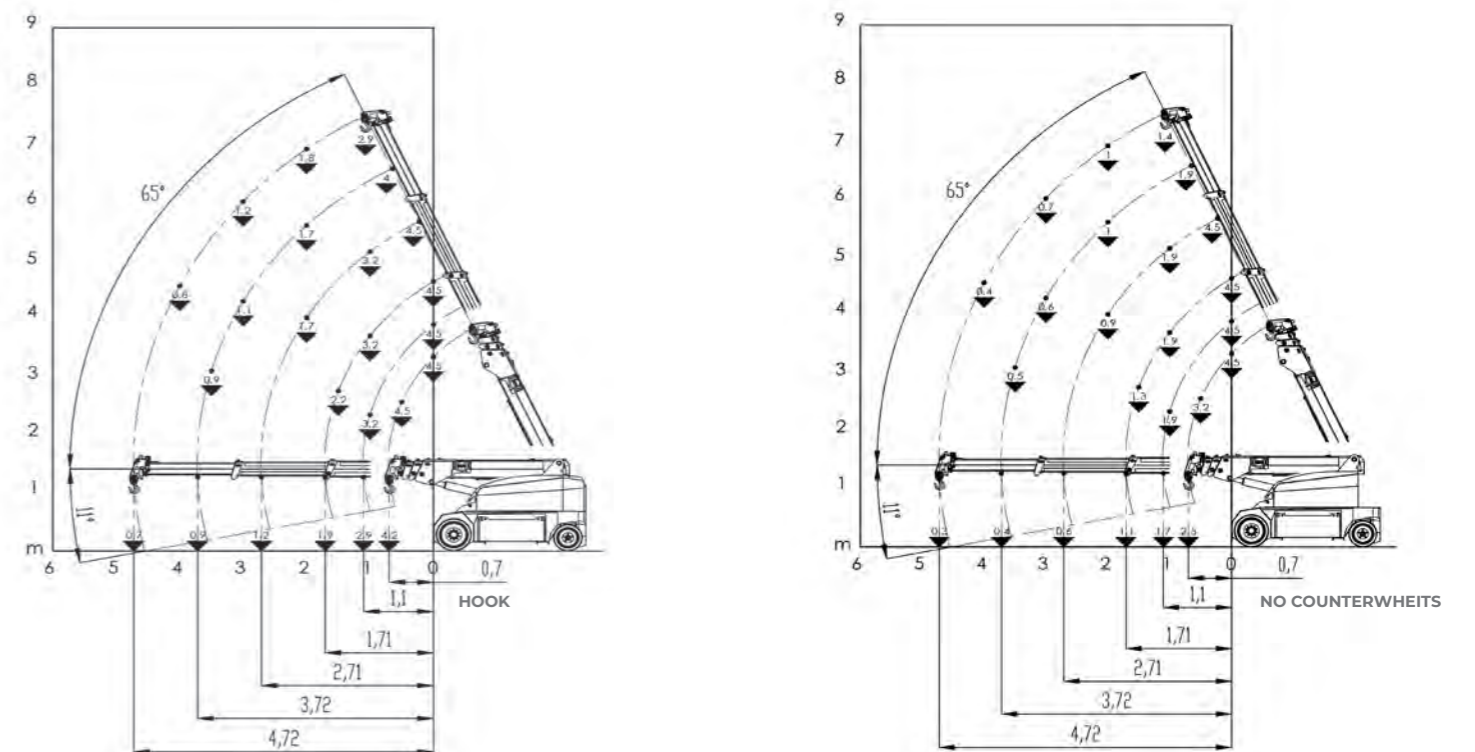
Technical features

Max Capacity kg	4,500
Dimensions mm	2390x930x1595

HOOK

Front-wheels drive. 2 electric motors AC 5 kW 48V Insulation class H	LMI. Electronic safe load indicator and tilting moment limiter
Total Kg. 5,400 Removable counterweight Kg. 1,145	Automatic braking system on all wheels
48 V - 560 Ah 8 working hours	Fabricated from preformed and welded quality steel plate
Front nr. 2 cushion 22x9x16" Rear nr. 2 cushion 18x6x12"	+65°/-12°
Rear Steering angle -90°/+90°	Motor driven pump 9 kW - 48 V AC, Insulation class H

Load charts



EU Standards CE

	UNI ISO 4301-2: A1
	2006/42 CE-2014/30 UE-2014/35 UE- 2000/14 e successive modifiche
	EN 13000:2014 ANSI/ASME B30.5-2011 e successive modifiche

Dimensions

